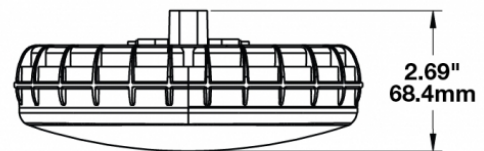
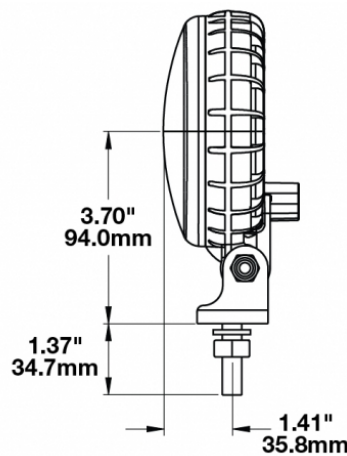
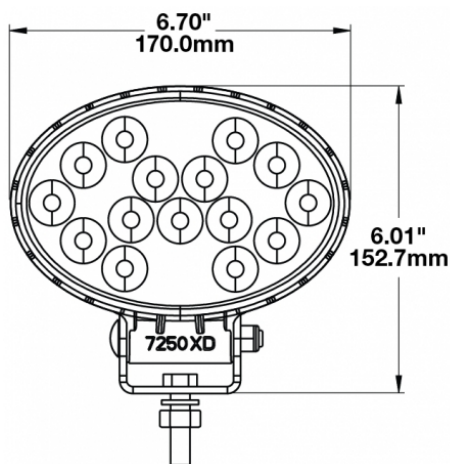


PRODUCT INFORMATION



Description	12-24V LED Work Light with Trapezoid Beam Pattern & Pedestal Mount
Height	152.40 (mm) / 6 (in)
Width	170.18 (mm) / 6.7 (in)
Depth	68.58 (mm) / 2.7 (in)
Shape	Oval
Outer Lens Material	Polycarbonate
Outer Lens Color	Clear
Housing Material	Polycarbonate
Housing Color	Black
Bezel Color	N/A
Mounting Hardware Description	(x1) 3/8-16 x 1.5" Stainless Steel Hex Head Bolt
Minimum Operating Temperature	-40 (°C) / -40 (°F)
Maximum Operating Temperature	65 (°C) / 149 (°F)
Connector or Wiring	Deutsch DT04-2P
Mating Connector	Deutsch DT06-2S
Spec Sheet Printed	2016-07-07

PRODUCT DIMENSIONS



ELECTRICAL SPECIFICATIONS

Input Voltage	12-24 V DC
Operating Voltage	10-32 V DC
Black Wire	Ground
Red Wire	Power
Current Draw	1.60A @ 12V DC 0.90A @ 24V DC

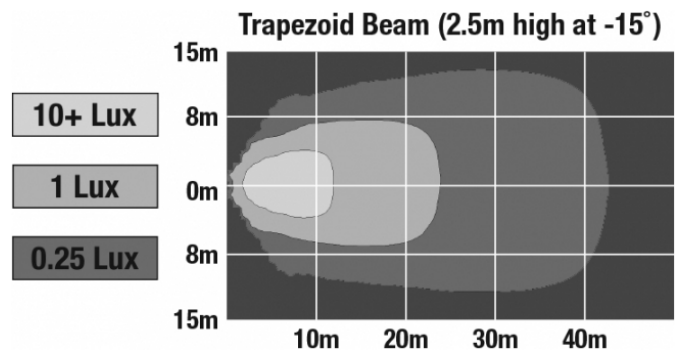
REGULATORY STANDARDS COMPLIANCE



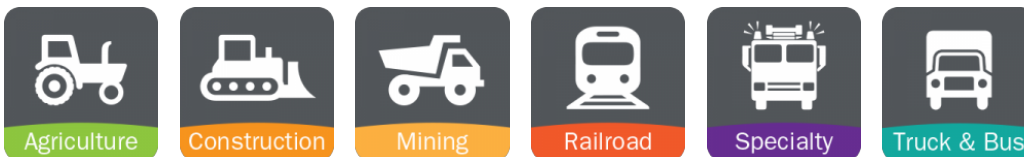
Buy America Standards	CE CISPR 12
CE CISPR 22	Eco Friendly
IEC IP69K	SAE J1113-13
UL Listed	

PHOTOMETRIC SPECIFICATIONS

Raw Lumen Output	3,150
Effective Lumen Output	1,400
Nominal LED Color Temperature	5000 (K)
Beam Pattern(s)	Forward Lighting - Trapezoid



APPLICATIONS



ACCESSORIES



[Part Number 8200101](#)

**Stainless Steel Mounting
Kit for Work Lights &
Marine Lights**

RELATED PRODUCTS



[Part Number 1801501](#)

**12-24V LED Work Light
with Spot Beam Pattern
& Pedestal Mount**



[Part Number 1801521](#)

**12-24V LED Work Light
with Flood Beam Pattern
& Pedestal Mount**