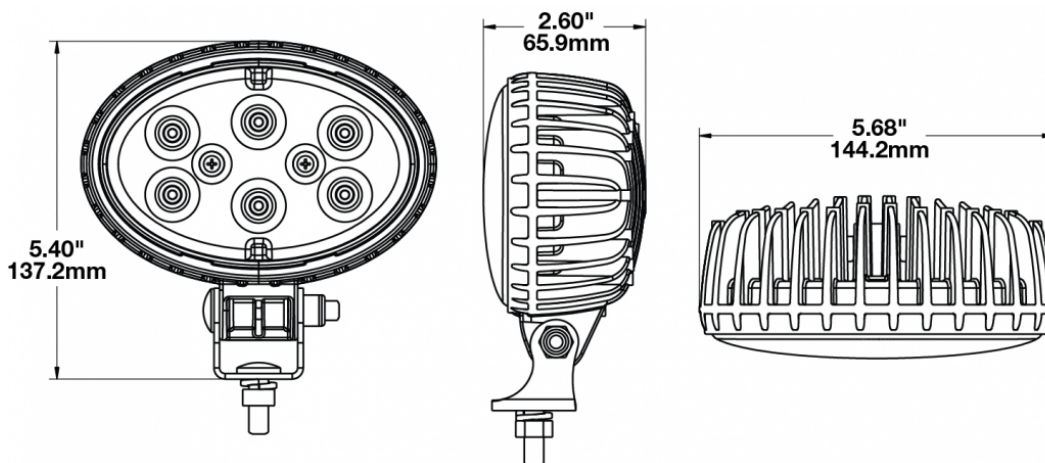




PRODUCT INFORMATION

Description	12-24V LED Work Light with Flood Beam Pattern
Height	137.16 (mm) / 5.4 (in)
Width	144.27 (mm) / 5.68 (in)
Depth	66.04 (mm) / 2.6 (in)
Shape	Oval
Outer Lens Material	Polycarbonate
Outer Lens Color	Clear
Housing Material	Die-Cast Aluminum
Housing Color	Black
Mounting Hardware Description	(x1) 5/16"-18 x 0.58" Mounting Bolt
Mounting Type	Universal Pedestal Mount
Minimum Operating Temperature	-40 (°C) / -40 (°F)
Maximum Operating Temperature	65 (°C) / 149 (°F)
Connector or Wiring	Integrated 2-Pin Deutsch Weather-Proof Socket (DT04-2P)
Mating Connector	2-Pin Deutsch Weather-Proof Plug (DT06-2S)
Product Weight	1.55 (lbs) / 0.7 (kgs)
Spec Sheet Printed	2016-07-07

PRODUCT DIMENSIONS



ELECTRICAL SPECIFICATIONS

Input Voltage	12-24 V DC
Operating Voltage	10-36 V DC
Red Wire	Positive
Black Wire	Negative
Current Draw	3.50A @ 12V DC 1.75A @ 24V DC

REGULATORY STANDARDS COMPLIANCE

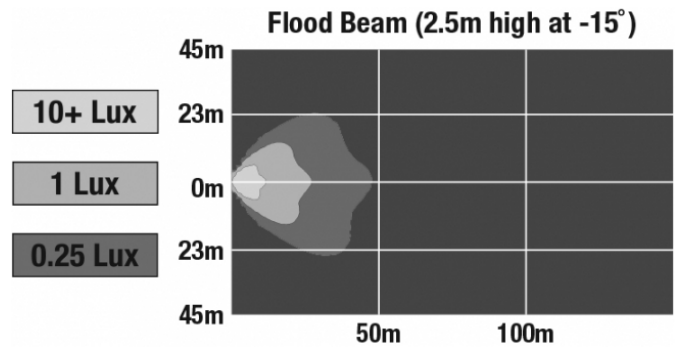


Buy America Standards
IEC IP69K

Eco Friendly

PHOTOMETRIC SPECIFICATIONS

Raw Lumen Output	3,900
Effective Lumen Output	2,600
Nominal LED Color Temperature	5700 (K)
Beam Pattern(s)	Forward Lighting - Flood (Standard)



APPLICATIONS



RELATED PRODUCTS



[Part Number 1706571](#)

**12-24V LED Work Light
with Spot Beam Pattern**



[Part Number 1706581](#)

**12-24V LED Work Light
with Trapezoid Beam
Pattern**