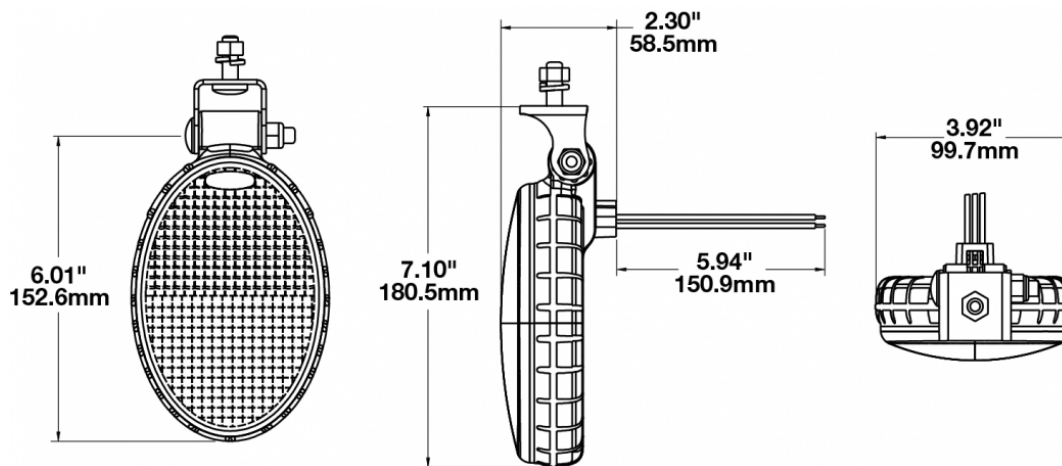




PRODUCT INFORMATION

Description	12-24V LED Dual Beam Work Light
Height	180.34 (mm) / 7.1 (in)
Width	99.57 (mm) / 3.92 (in)
Depth	58.42 (mm) / 2.3 (in)
Shape	Oval
Outer Lens Material	Polycarbonate
Outer Lens Color	Clear
Housing Material	Polycarbonate
Housing Color	Black
Mounting Hardware Description	(x1) 5/16"-18 x 1.00" Mounting Bolt
Mounting Type	Universal Pedestal Mount
Minimum Operating Temperature	-40 (°C) / -40 (°F)
Maximum Operating Temperature	65 (°C) / 149 (°F)
Connector or Wiring	Integrated 3-Pin Deutsch Weather-Proof Socket (DT04-3P)
Mating Connector	3-Pin Deutsch Weather-Proof Plug (DT06-3S)
Spec Sheet Printed	2016-07-07

PRODUCT DIMENSIONS



ELECTRICAL SPECIFICATIONS

Input Voltage	12-24 V DC
Operating Voltage	9-32 V DC
Transient Spike Protection	330V Peak @ 1 HZ-100 Pulses
White Wire	Low Beam
Red Wire	High Beam
Black Wire	Ground
Current Draw	1.50A @ 12V DC (Dual Beam) 0.73A @ 24V DC (Dual Beam) 0.77A @ 12V DC (Single Beam) 0.37A @ 24V DC (Single Beam)

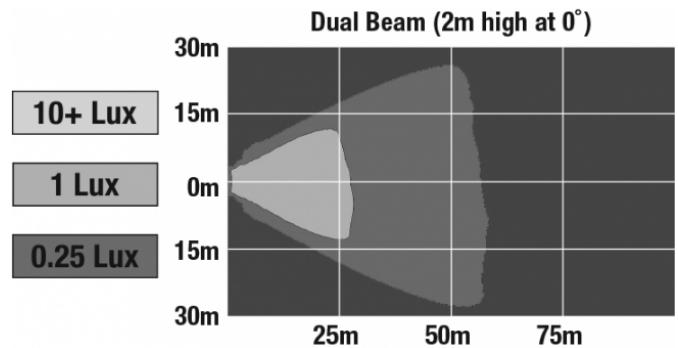
REGULATORY STANDARDS COMPLIANCE



Buy America Standards	CE CISPR 12
CE CISPR 22	ECE Reg 6
Eco Friendly	IEC IP67
UL Listed	

PHOTOMETRIC SPECIFICATIONS

Raw Lumen Output	1,440
Effective Lumen Output	250 (top beam); 370 (bottom beam); 620 (dual beam)
Nominal LED Color Temperature	5000 (K)
Beam Pattern(s)	Forward Lighting - Dual Beam



APPLICATIONS



ACCESSORIES



[Part Number 8200101](#)

**Stainless Steel Mounting
Kit for Work Lights &
Marine Lights**