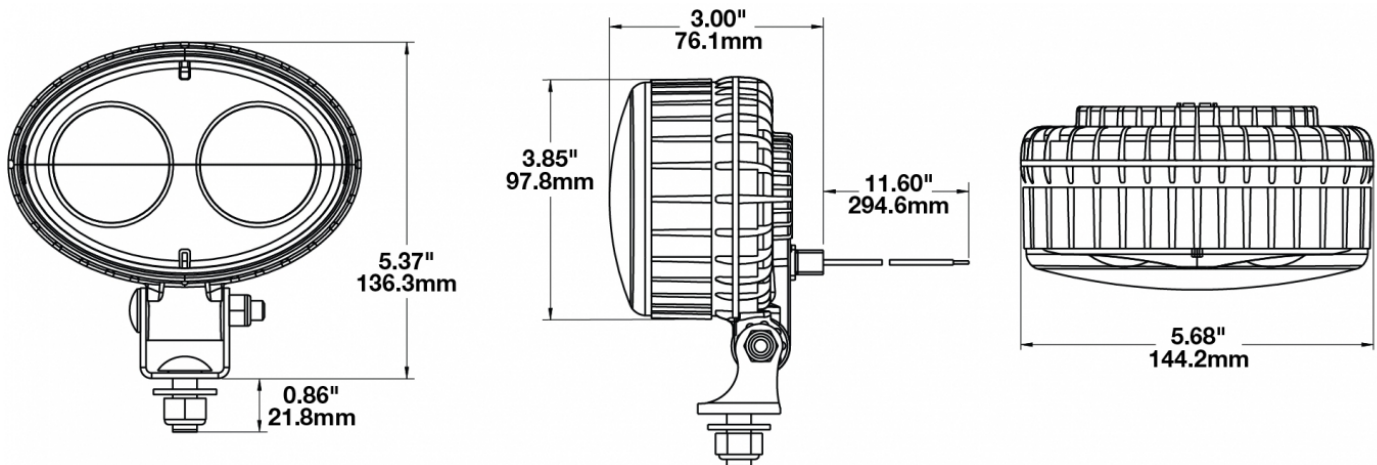




PRODUCT INFORMATION

Description	12-110V LED Blue Material Handling Safety Light
Height	137.16 (mm) / 5.4 (in)
Width	144.27 (mm) / 5.68 (in)
Depth	87.88 (mm) / 3.46 (in)
Shape	Oval
Outer Lens Material	Polycarbonate
Outer Lens Color	Clear
Housing Material	Polycarbonate
Housing Color	Black
Mounting Hardware Description	(x1) M10-1.5 x 22mm
Mounting Type	Universal Pedestal Mount
Minimum Operating Temperature	-40 (°C) / -40 (°F)
Maximum Operating Temperature	65 (°C) / 149 (°F)
Connector or Wiring	Integrated
Mating Connector	AMP (#180923)
Product Weight	1.31 (lbs) / 0.59 (kgs)
Spec Sheet Printed	2016-07-07

PRODUCT DIMENSIONS



ELECTRICAL SPECIFICATIONS

Input Voltage	12-110 V DC
Operating Voltage	9-120 V DC
Red Wire	Positive
Black Wire	Negative
Current Draw	0.50A @ 12V DC 0.12A @ 60V DC 0.08A @ 110V DC

REGULATORY STANDARDS COMPLIANCE



Buy America Standards

IEC IP69K

Tested to ECE Reg. 10
(Radiated Emissions only)

Eco Friendly

SAE J1455

UL Recognized

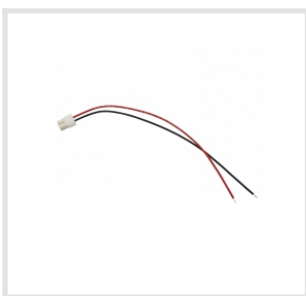
PHOTOMETRIC SPECIFICATIONS

Nominal LED Color Temperature	5000 (K)
Beam Pattern(s)	Forward Lighting - Spot

APPLICATIONS



ACCESSORIES



[Part Number 3267041](#)

**12" Wire Assembly for
Material Handling Safety
Lights**