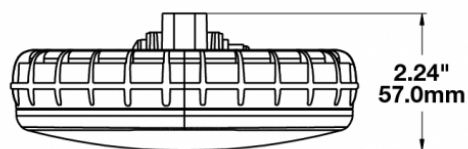
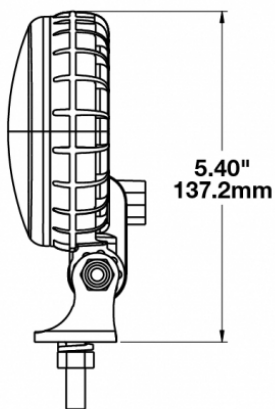
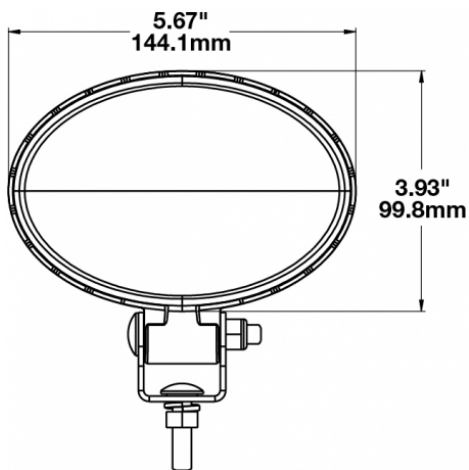




PRODUCT INFORMATION

Description	12-48V LED Work Light with Spot Beam Pattern & DT04-2P Connector
Height	137.16 (mm) / 5.4 (in)
Width	144.02 (mm) / 5.67 (in)
Depth	56.90 (mm) / 2.24 (in)
Shape	Oval
Outer Lens Material	Polycarbonate
Outer Lens Color	Clear
Housing Material	Polycarbonate
Housing Color	Black
Mounting Hardware Description	(x1) 5/16"-18 x 1.00" Mounting Bolt
Mounting Type	Universal Pedestal Mount
Minimum Operating Temperature	-40 (°C) / -40 (°F)
Maximum Operating Temperature	65 (°C) / 149 (°F)
Connector or Wiring	Integrated 2-Pin Deutsch Weather-Proof Socket (DT04-2P)
Mating Connector	2-Pin Deutsch Weather-Proof Plug (DT06-2S)
Product Weight	0.54 (lbs) / 0.24 (kgs)
Spec Sheet Printed	2016-07-07

PRODUCT DIMENSIONS



ELECTRICAL SPECIFICATIONS

Input Voltage	12-48 V DC
Operating Voltage	10-55 V DC
Transient Spike Protection	330V Peak @ 1 HZ-100 Pulses
Red Wire	Positive
Black Wire	Negative
Current Draw	1A @ 12V DC 0.48A @ 24V DC 0.32A @ 36V DC 0.25A @ 48V DC

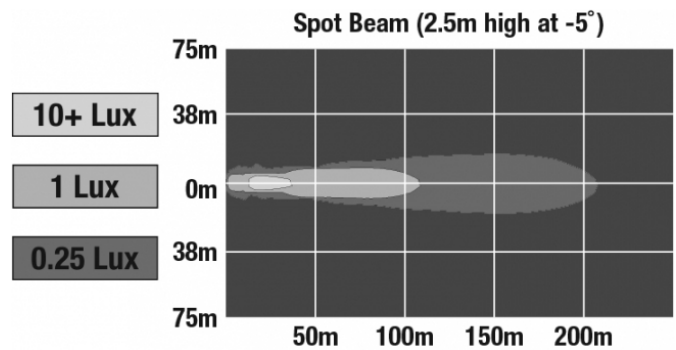
REGULATORY STANDARDS COMPLIANCE



Buy America Standards	CE CISPR 12
CE CISPR 22	Eco Friendly
IEC IP67	SAE J1113-13
Tested to ECE Reg. 10 (Radiated Emissions only)	

PHOTOMETRIC SPECIFICATIONS

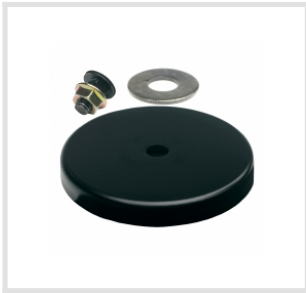
Raw Lumen Output	900
Effective Lumen Output	700
Nominal LED Color Temperature	5000 (K)
Beam Pattern(s)	Forward Lighting - Spot



APPLICATIONS



ACCESSORIES



[Part Number 8200011](#)

**Magnet Mount Kit for XD
Series Work Lights**



[Part Number 8200101](#)

**Stainless Steel Mounting
Kit for Work Lights &
Marine Lights**



[Part Number 8200121](#)

**Black Mount Kit for XD
Series Work Lights**

RELATED PRODUCTS



[Part Number 1706041](#)

**12V LED Work Light with
Flood Beam Pattern &
DT04-2P Connector**



[Part Number 1706051](#)

**12V LED Work Light with
Trapezoid Beam Pattern
& DT04-2P Connector**



[Part Number 1706241](#)

**12-48V LED Work Light
with Flood Beam Pattern
& DT04-2P Connector**



[Part Number 1706251](#)

**12-48V LED Work Light
with Trapezoid Beam
Pattern & DT04-2P
Connector**



[Part Number 1706321](#)

**12V LED Work Light with
Spot Beam Pattern &
DT04-2P Connector**



[Part Number 1706461](#)

**12-48V LED Work Light
with Flood Beam Pattern
& PE12015792 Connector**