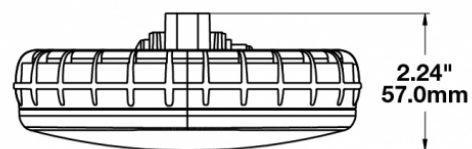
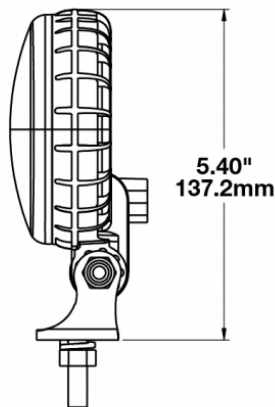
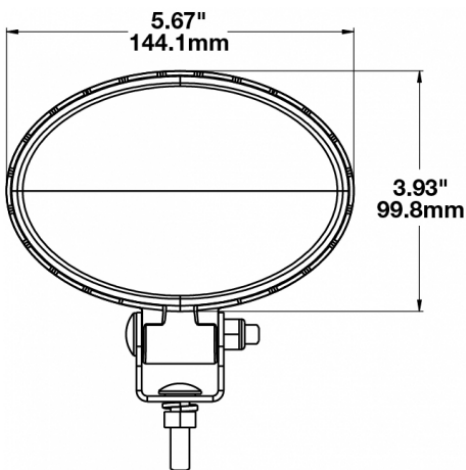




**PRODUCT INFORMATION**

<b>Description</b>	12-48V LED Work Light with Flood Beam Pattern & DT04-2P Connector
<b>Height</b>	137.16 (mm) / 5.4 (in)
<b>Width</b>	144.02 (mm) / 5.67 (in)
<b>Depth</b>	56.90 (mm) / 2.24 (in)
<b>Shape</b>	Oval
<b>Outer Lens Material</b>	Polycarbonate
<b>Outer Lens Color</b>	Clear
<b>Housing Material</b>	Polycarbonate
<b>Housing Color</b>	Black
<b>Mounting Hardware Description</b>	(x1) 5/16"-18 x 1.00" Mounting Bolt
<b>Mounting Type</b>	Universal Pedestal Mount
<b>Minimum Operating Temperature</b>	-40 (°C) / -40 (°F)
<b>Maximum Operating Temperature</b>	65 (°C) / 149 (°F)
<b>Connector or Wiring</b>	Integrated 2-Pin Deutsch Weather-Proof Socket (DT04-2P)
<b>Mating Connector</b>	2-Pin Deutsch Weather-Proof Plug (DT06-2S)
<b>Product Weight</b>	0.54 (lbs) / 0.24 (kgs)
<b>Spec Sheet Printed</b>	2016-07-07

**PRODUCT DIMENSIONS**



**ELECTRICAL SPECIFICATIONS**

<b>Input Voltage</b>	12-48 V DC
<b>Operating Voltage</b>	10-55 V DC
<b>Transient Spike Protection</b>	330V Peak @ 1 HZ-100 Pulses
<b>Red Wire</b>	Positive
<b>Black Wire</b>	Negative
<b>Current Draw</b>	1.00A @ 12V DC 0.48A @ 24V DC 0.32A @ 36V DC 0.25A @ 48V DC

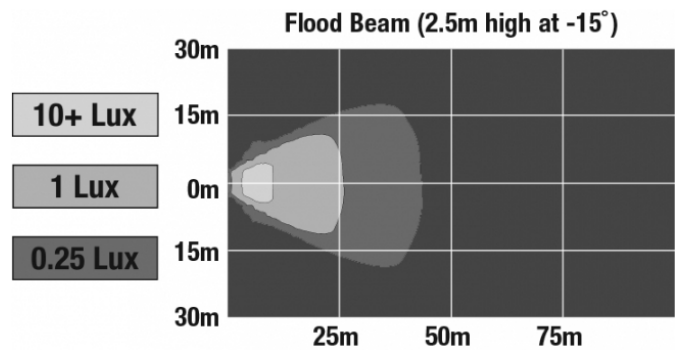
**REGULATORY STANDARDS COMPLIANCE**



Buy America Standards	CE CISPR 12
CE CISPR 22	Eco Friendly
IEC IP67	SAE J1113-13
Tested to ECE Reg. 10 (Radiated Emissions only)	

**PHOTOMETRIC SPECIFICATIONS**

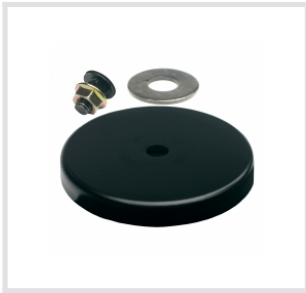
<b>Raw Lumen Output</b>	900
<b>Effective Lumen Output</b>	700
<b>Nominal LED Color Temperature</b>	5000 (K)
<b>Beam Pattern(s)</b>	Forward Lighting - Flood (Standard)



**APPLICATIONS**



**ACCESSORIES**



[Part Number 8200011](#)

**Magnet Mount Kit for XD Series Work Lights**



[Part Number 8200101](#)

**Stainless Steel Mounting Kit for Work Lights & Marine Lights**



[Part Number 8200121](#)

**Black Mount Kit for XD Series Work Lights**

**RELATED PRODUCTS**



[Part Number 1706041](#)

**12V LED Work Light with  
Flood Beam Pattern &  
DT04-2P Connector**



[Part Number 1706051](#)

**12V LED Work Light with  
Trapezoid Beam Pattern  
& DT04-2P Connector**



[Part Number 1706251](#)

**12-48V LED Work Light  
with Trapezoid Beam  
Pattern & DT04-2P  
Connector**



[Part Number 1706261](#)

**12-48V LED Work Light  
with Spot Beam Pattern  
& DT04-2P Connector**



[Part Number 1706321](#)

**12V LED Work Light with  
Spot Beam Pattern &  
DT04-2P Connector**



[Part Number 1706461](#)

**12-48V LED Work Light  
with Flood Beam Pattern  
& PE12015792 Connector**