

LED Compact Work Light - Model 792

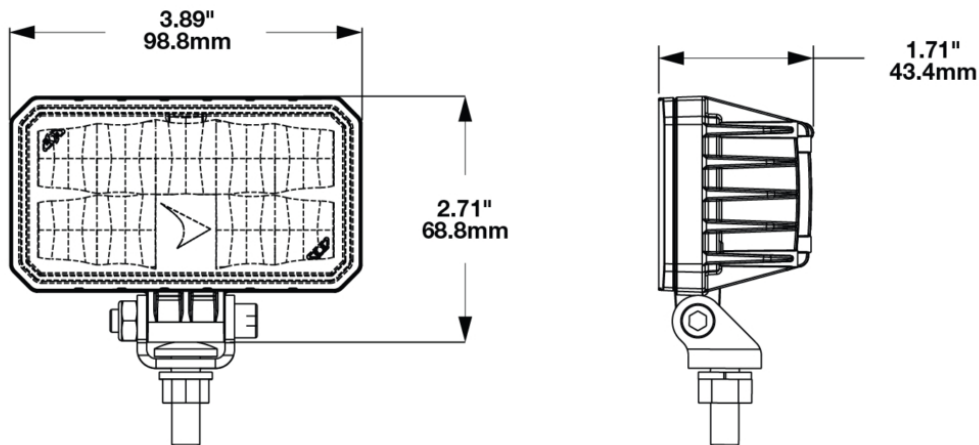
PRODUCT INFORMATION

Description	36/90V Compact LED Work Light with Pedestal Mount
Height	76.10 mm / 3 in
Width	98.80 mm / 3.89 in
Depth	43.40 mm / 1.71 in
Shape	Rectangular
Outer Lens Material	Polycarbonate
Outer Lens Color	Clear
Housing Material	Aluminum
Housing Color	Black
Mounting Hardware Description	(x1) 5/16"-18 x 1.00" Mounting Bolt Bracket
Mounting Type	Pedestal
Minimum Operating Temperature	-40 °C / -40 °F
Maximum Operating Temperature	65 °C / 149 °F
Mating Connector	JAE Connector MX19A003S51 harness included with flying leads
Product Weight	0.40 lbs / 0.18 kgs
Shipping Weight	7.19 lbs / 3.26 kgs



LED Compact Work Light - Model 792

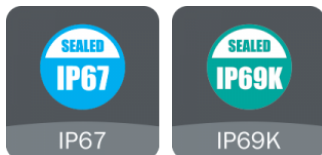
PRODUCT DIMENSIONS



ELECTRICAL SPECIFICATIONS

Input Voltage	36-80V DC
Operating Voltage	30-95V DC
Transient Spike Protection	330V Peak @ 1 HZ-100 Pulses
Red Wire	Power
Black Wire	Ground
Current Draw	0.75A @ 36V DC (Power) 0.56A @ 48V DC (Power) 0.34A @ 80V DC (Power)

REGULATORY STANDARDS COMPLIANCE



IEC IP67

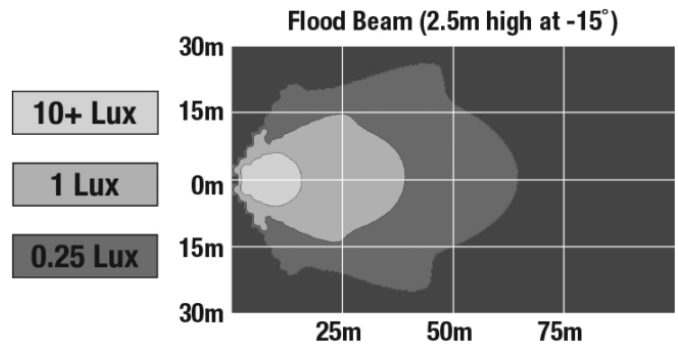
Tested to ECE Reg. 10
(Radiated Emissions only)

IEC IP69K

LED Compact Work Light - Model 792

PHOTOMETRIC SPECIFICATIONS

Raw Lumen Output	3630
Effective Lumen Output	2000
Candela Output	2900
Nominal LED Color Temperature	5050 K



APPLICATIONS



PRODUCT WARNINGS

For California residents:
⚠ WARNING: Cancer and reproductive harm

RELATED PRODUCTS



Part Number 1603921
 12/24V Compact LED Work Light with Pedestal Mount



Part Number 1603932
 36/90V Compact LED Work Light with Pedestal Mount



Part Number 1603951
 12/24V Compact LED Work Light with Panel Mount



Part Number 1603971
 36/90V Compact LED Work Light with Panel Mount