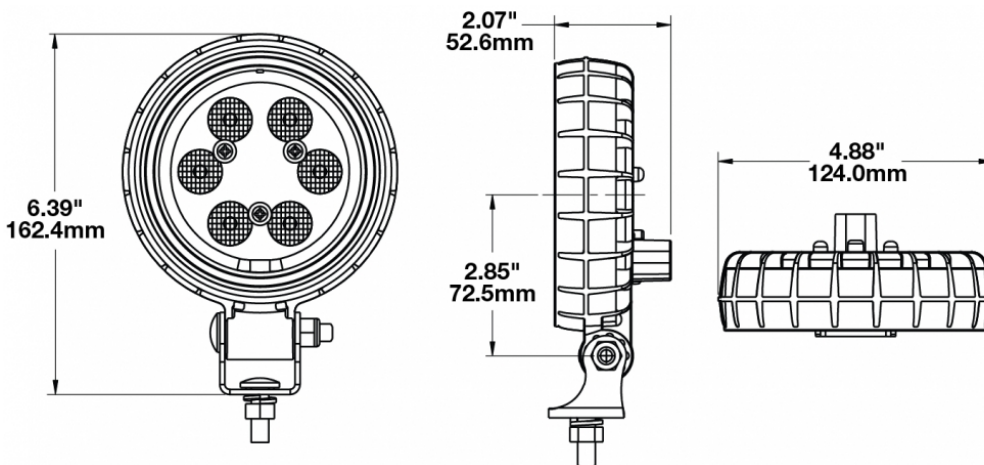




**PRODUCT INFORMATION**

<b>Description</b>	12-24V LED Work Light with Trapezoid Beam Pattern
<b>Height</b>	162.31 (mm) / 6.39 (in)
<b>Width</b>	123.95 (mm) / 4.88 (in)
<b>Depth</b>	52.58 (mm) / 2.07 (in)
<b>Shape</b>	Round
<b>Outer Lens Material</b>	Polycarbonate
<b>Outer Lens Color</b>	Clear
<b>Housing Material</b>	Polycarbonate
<b>Housing Color</b>	Black
<b>Mounting Hardware Description</b>	(x1) M8-1.25 x 20mm Mounting Bolt
<b>Mounting Type</b>	Universal Pedestal Mount
<b>Minimum Operating Temperature</b>	-40 (°C) / -40 (°F)
<b>Maximum Operating Temperature</b>	65 (°C) / 149 (°F)
<b>Connector or Wiring</b>	Integrated 2-Pin Deutsch Weather-Proof Socket (DT04-2P)
<b>Mating Connector</b>	2-Pin Deutsch Weather-Proof Plug (DT06-2S)
<b>Spec Sheet Printed</b>	2016-07-07

**PRODUCT DIMENSIONS**



**ELECTRICAL SPECIFICATIONS**

<b>Input Voltage</b>	12-24 V DC
<b>Operating Voltage</b>	10-30 V DC
<b>Transient Spike Protection</b>	330V Peak @ 1 HZ-100 Pulses
<b>Red Wire</b>	Positive
<b>Black Wire</b>	Negative
<b>Current Draw</b>	1.3A @ 12V DC 0.6A @ 24V DC

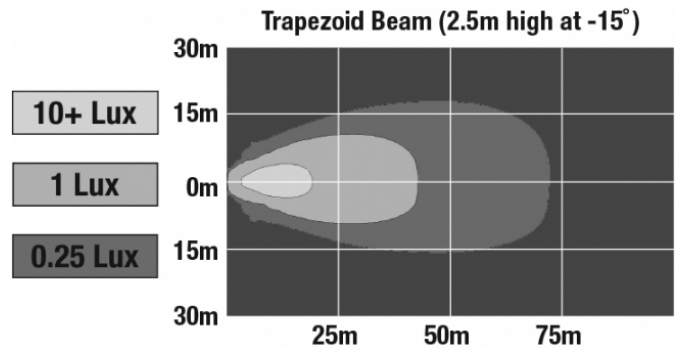
**REGULATORY STANDARDS COMPLIANCE**



Buy America Standards	CE CISPR 12
CE CISPR 22	Eco Friendly
IEC IP69K	SAE J1113-13
Tested to ECE Reg. 10 (Radiated Emissions only)	UL Listed

**PHOTOMETRIC SPECIFICATIONS**

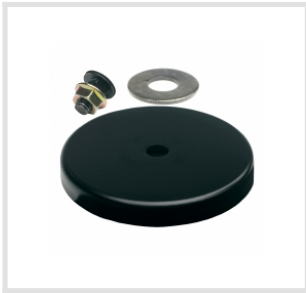
<b>Raw Lumen Output</b>	1,080
<b>Effective Lumen Output</b>	780
<b>Nominal LED Color Temperature</b>	5000 (K)
<b>Beam Pattern(s)</b>	Forward Lighting - Trapezoid



**APPLICATIONS**



**ACCESSORIES**



[Part Number 8200011](#)

**Magnet Mount Kit for XD Series Work Lights**



[Part Number 8200101](#)

**Stainless Steel Mounting Kit for Work Lights & Marine Lights**



[Part Number 8200121](#)

**Black Mount Kit for XD Series Work Lights**

**RELATED PRODUCTS**



[Part Number 1403241](#)

**12-24V LED Work Light with Flood Beam Pattern**



[Part Number 1403261](#)

**12-24V LED Work Light with Spot Beam Pattern**



[Part Number 1403271](#)

**12-110V LED Work Light with Trapezoid Beam Pattern**



[Part Number 1403281](#)

**12-110V LED Work Light with Spot Beam Pattern**



[Part Number 1403291](#)

**12-110V LED Work Light with Flood Beam Pattern**