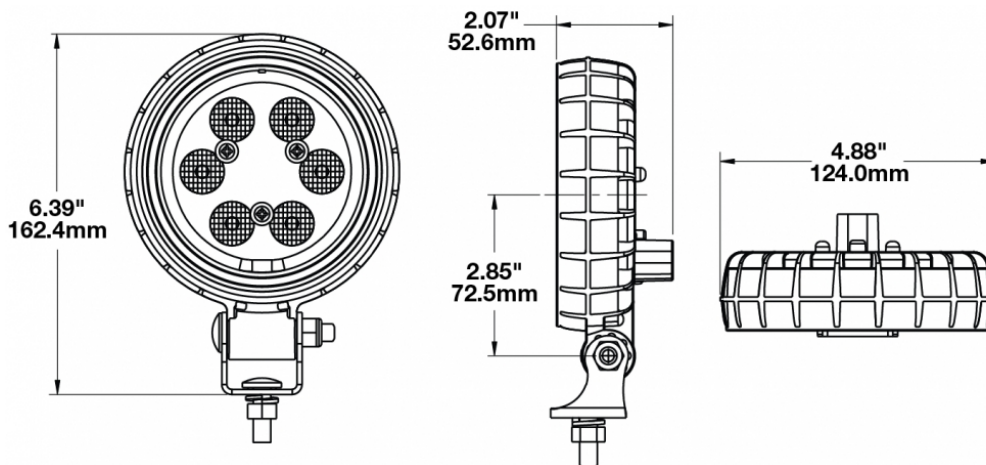




PRODUCT INFORMATION

Description	12-24V LED Work Light with Flood Beam Pattern
Height	162.31 (mm) / 6.39 (in)
Width	123.95 (mm) / 4.88 (in)
Depth	52.58 (mm) / 2.07 (in)
Shape	Round
Outer Lens Material	Polycarbonate
Outer Lens Color	Clear
Housing Material	Polycarbonate
Housing Color	Black
Mounting Hardware Description	(x1) M8-1.25 x 20mm Mounting Bolt
Mounting Type	Universal Pedestal Mount
Minimum Operating Temperature	-40 (°C) / -40 (°F)
Maximum Operating Temperature	65 (°C) / 149 (°F)
Connector or Wiring	Integrated 2-Pin Deutsch Weather-Proof Socket (DT04-2P)
Mating Connector	2-Pin Deutsch Weather-Proof Plug (DT06-2S)
Spec Sheet Printed	2016-07-07

PRODUCT DIMENSIONS



ELECTRICAL SPECIFICATIONS

Input Voltage	12-24 V DC
Operating Voltage	10-30 V DC
Transient Spike Protection	330V Peak @ 1 HZ-100 Pulses
Red Wire	Positive
Black Wire	Negative
Current Draw	1.3A @ 12V DC 0.6A @ 24V DC

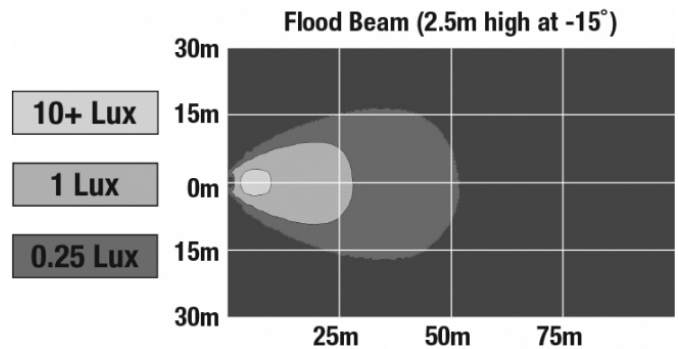
REGULATORY STANDARDS COMPLIANCE



Buy America Standards	CE CISPR 12
CE CISPR 22	Eco Friendly
IEC IP69K	SAE J1113-13
Tested to ECE Reg. 10 (Radiated Emissions only)	UL Listed

PHOTOMETRIC SPECIFICATIONS

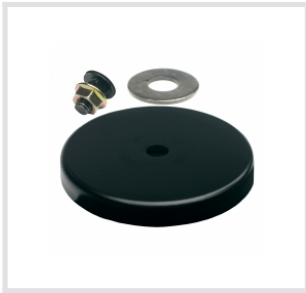
Raw Lumen Output	1,080
Effective Lumen Output	780
Nominal LED Color Temperature	5000 (K)
Beam Pattern(s)	Forward Lighting - Flood (Standard)



APPLICATIONS



ACCESSORIES



[Part Number 8200011](#)

Magnet Mount Kit for XD Series Work Lights



[Part Number 8200101](#)

Stainless Steel Mounting Kit for Work Lights & Marine Lights



[Part Number 8200121](#)

Black Mount Kit for XD Series Work Lights

RELATED PRODUCTS



[Part Number 1403251](#)

12-24V LED Work Light with Trapezoid Beam Pattern



[Part Number 1403261](#)

12-24V LED Work Light with Spot Beam Pattern



[Part Number 1403271](#)

12-110V LED Work Light with Trapezoid Beam Pattern



[Part Number 1403281](#)

12-110V LED Work Light with Spot Beam Pattern



[Part Number 1403291](#)

12-110V LED Work Light with Flood Beam Pattern