

LED Work Light - Model 526

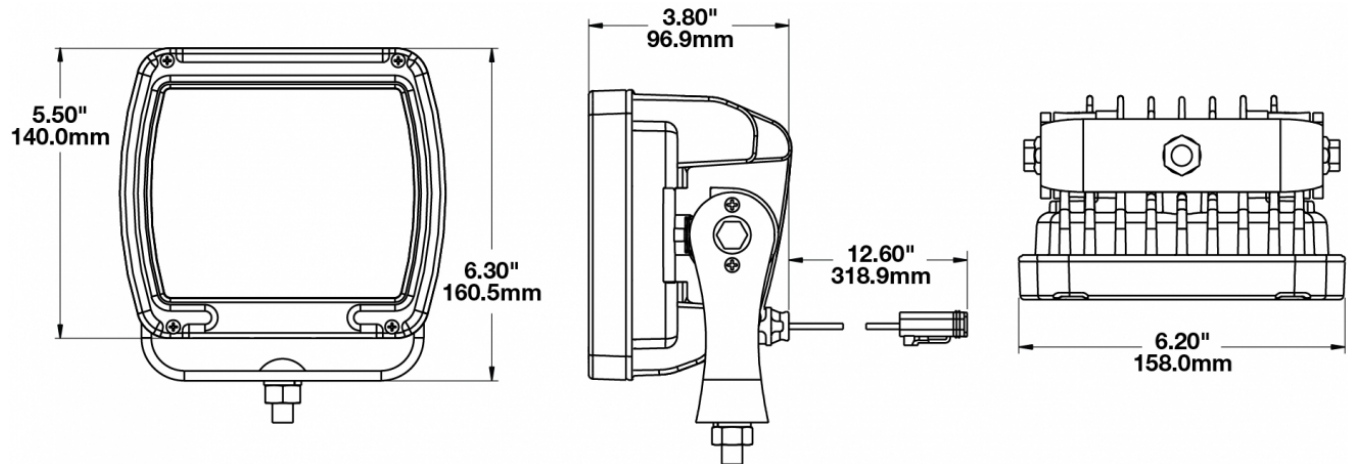
PRODUCT INFORMATION

Description	24V LED Work Light with Black Housing, Polycarbonate Lens & Anti-Glare Beam Pattern
Height	160.02 mm / 6.3 in
Width	157.48 mm / 6.2 in
Depth	96.52 mm / 3.8 in
Shape	Square
Outer Lens Material	Polycarbonate
Outer Lens Color	Clear
Housing Material	Die-Cast Aluminum
Housing Color	Black
Mounting Hardware Description	(x1) M10-1.5 x 25 Mounting Bolt
Mounting Type	Universal Pedestal Mount
Minimum Operating Temperature	-40 °C / -40 °F
Maximum Operating Temperature	65 °C / 149 °F
Connector or Wiring	iCONN Connector - iMATE23
Product Weight	4.60 lbs / 2.09 kgs
Shipping Weight	5.00 lbs / 2.27 kgs
Additional Information	Wire Harness: JWS part number 3271781.



LED Work Light - Model 526

PRODUCT DIMENSIONS



ELECTRICAL SPECIFICATIONS

Input Voltage	24V DC
Operating Voltage	16-32V DC
Transient Spike Protection	330V Peak @ 1 HZ-100 Pulses
Current Draw	5.00A @ 24V DC

REGULATORY STANDARDS COMPLIANCE

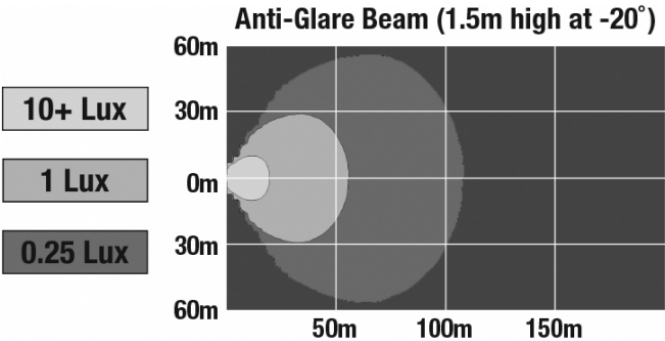


IEC IP69K

LED Work Light - Model 526

PHOTOMETRIC SPECIFICATIONS

Raw Lumen Output	9,000
Effective Lumen Output	5800
Nominal LED Color Temperature	5700 K
Beam Pattern(s)	Anti-Glare



APPLICATIONS



PRODUCT WARNINGS

For California residents:
 ⚠️ **WARNING:** Cancer and reproductive harm.

LED Work Light - Model 526

RELATED PRODUCTS



Part Number
1300571

24V LED Work Light with Yellow Housing, Polycarbonate Lens & Dual White Anti-Glare Pattern



Part Number
1300581

24V LED Work Light with Black Housing, Polycarbonate Lens & Flood Beam Pattern



Part Number
1300591

24V LED Work Light with Black Housing, Polycarbonate Lens & Trapezoid Beam Pattern



Part Number
1300641

24V LED Work Light with Black Housing, Polycarbonate Lens & Dual White Anti-Glare Pattern

Learn more about off-road lights we have.