

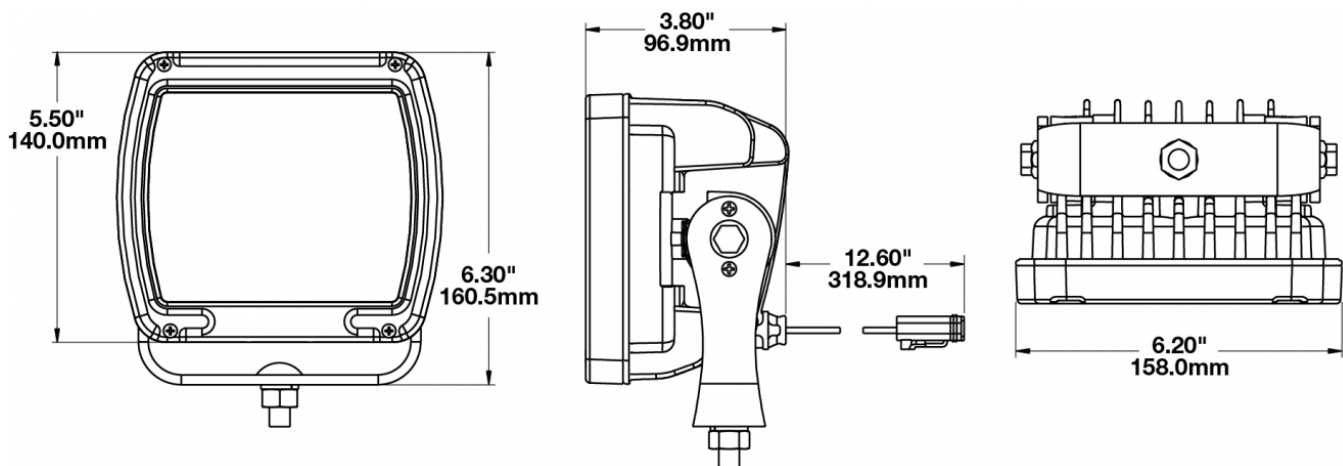
LED Work Light - Model 526

PRODUCT INFORMATION

Description	12-24V LED Work Light with Black Housing, Polycarbonate Lens & Spot Beam Pattern
Height	160.02 mm / 6.3 in
Width	157.48 mm / 6.2 in
Depth	96.52 mm / 3.8 in
Shape	Square
Outer Lens Material	Polycarbonate
Outer Lens Color	Clear
Housing Material	Die-Cast Aluminum
Housing Color	Black
Mounting Hardware Description	(x1) M10-1.5 x 25 Mounting Bolt
Mounting Type	Universal Pedestal Mount
Minimum Operating Temperature	-40 °C / -40 °F
Maximum Operating Temperature	65 °C / 149 °F
Connector or Wiring	iCONN Connector - iMATE23
Product Weight	4.50 lbs / 2.04 kgs



PRODUCT DIMENSIONS



LED Work Light - Model 526

ELECTRICAL SPECIFICATIONS

Input Voltage	12-24V DC
Operating Voltage	10-32V DC
Transient Spike Protection	150V Peak @ 1 HZ-100 Pulses
Red Wire	Positive
Black Wire	Negative
Current Draw	9.00A @ 12V DC 5.00A @ 24V DC

REGULATORY STANDARDS COMPLIANCE

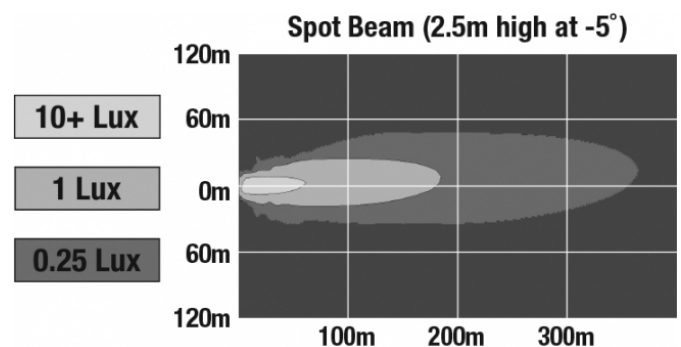


Buy America Standards
IEC IP69K

Eco Friendly

PHOTOMETRIC SPECIFICATIONS

Raw Lumen Output	9,000
Effective Lumen Output	5,800
Nominal LED Color Temperature	5700 K
Beam Pattern(s)	Forward Lighting - Spot



LED Work Light - Model 526

APPLICATIONS



RELATED PRODUCTS



Part Number
1300051
12-24V LED Work Light with Yellow Housing, Glass Lens & Anti-Glare Beam Pattern



Part Number
1300061
12-24V LED Work Light with Yellow Housing, Glass Lens & Flood Beam Pattern



Part Number
1300071
12-24V LED Work Light with Yellow Housing, Glass Lens & Trapezoid Beam Pattern



Part Number
1300081
12-24V LED Work Light with Yellow Housing, Glass Lens & Spot Beam Pattern



Part Number
1300191
12-24V LED Work Light with Yellow Housing, Polycarbonate Lens & Anti-Glare Beam Pattern



Part Number
1300201
12-24V LED Work Light with Yellow Housing, Polycarbonate Lens & Flood Beam Pattern



Part Number
1300211
12-24V LED Work Light with Yellow Housing, Polycarbonate Lens & Trapezoid Beam Pattern



Part Number
1300221
12-24V LED Work Light with Yellow Housing, Polycarbonate Lens & Spot Beam Pattern