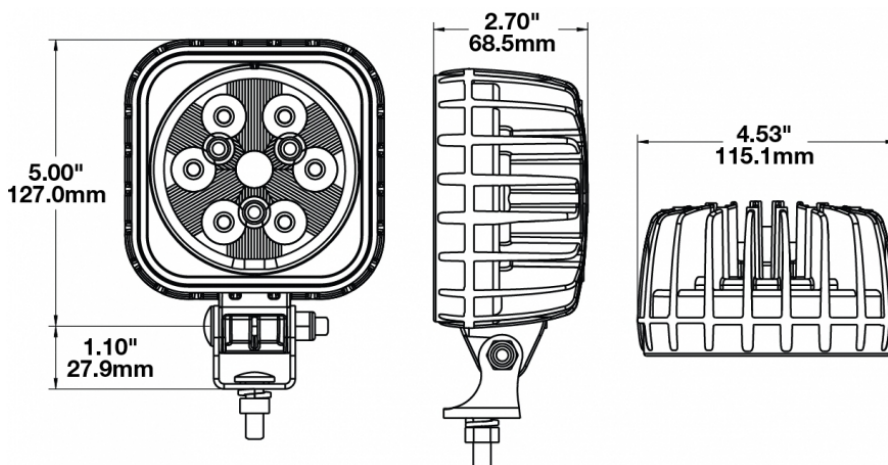




PRODUCT INFORMATION

Description	12-24V LED Auxiliary Light with Spot Beam Pattern
Height	154.94 (mm) / 6.1 (in)
Width	115.06 (mm) / 4.53 (in)
Depth	68.58 (mm) / 2.7 (in)
Shape	Square
Outer Lens Material	Polycarbonate
Outer Lens Color	Clear
Housing Material	Die-Cast Aluminum
Housing Color	Black
Mounting Hardware Description	(x1) 5/16"-18 x 0.58" Mounting Bolt
Mounting Type	Universal Pedestal Mount
Minimum Operating Temperature	-40 (°C) / -40 (°F)
Maximum Operating Temperature	65 (°C) / 149 (°F)
Connector or Wiring	Integrated 2-Pin Deutsch Weather-Proof Socket (DT04-2P)
Mating Connector	2-Pin Deutsch Weather-Proof Plug (DT06-2S)
Product Weight	1.65 (lbs) / 0.75 (kgs)
Spec Sheet Printed	2016-07-07

PRODUCT DIMENSIONS



ELECTRICAL SPECIFICATIONS

Input Voltage	12-24 V DC
Operating Voltage	10-32 V DC
Red Wire	Positive
Black Wire	Negative
Current Draw	3.50A @ 12V DC 1.75A @ 24V DC

REGULATORY STANDARDS COMPLIANCE

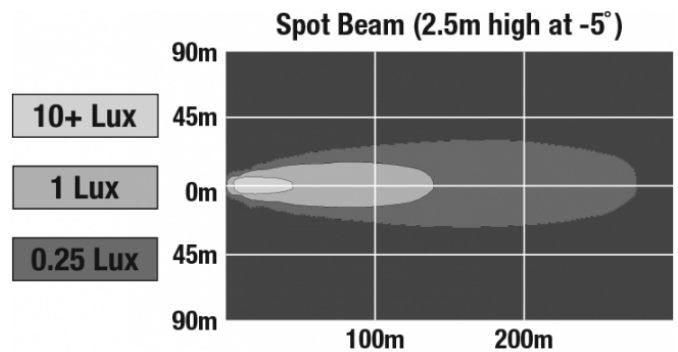


Buy America Standards
IEC IP69K

Eco Friendly

PHOTOMETRIC SPECIFICATIONS

Raw Lumen Output	3,900
Effective Lumen Output	2,500
Nominal LED Color Temperature	5700 (K)
Beam Pattern(s)	Forward Lighting - Spot



APPLICATIONS



RELATED PRODUCTS



[Part Number 1300171](#)

**12-24V LED Auxiliary
Light with Trapezoid
Beam Pattern**



[Part Number 1300181](#)

**12-24V LED Auxiliary
Light with Flood Beam
Pattern**