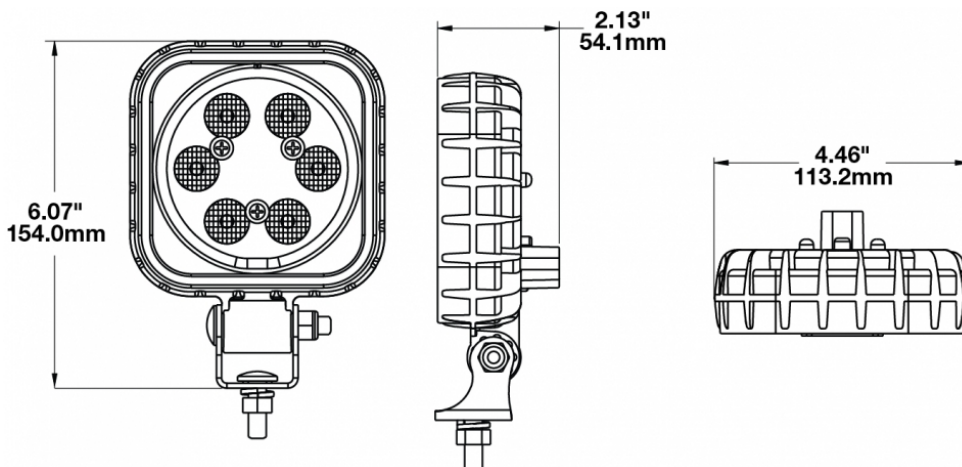




PRODUCT INFORMATION

Description	12-110V LED Work Light with Flood Beam Pattern
Height	154.18 (mm) / 6.07 (in)
Width	113.28 (mm) / 4.46 (in)
Depth	54.10 (mm) / 2.13 (in)
Shape	Square
Outer Lens Material	Polycarbonate
Outer Lens Color	Clear
Housing Material	Polycarbonate
Housing Color	Black
Mounting Hardware Description	(x1) 5/16"-18 x 1.00" Mounting Bolt
Mounting Type	Universal Pedestal Mount
Minimum Operating Temperature	-40 (°C) / -40 (°F)
Maximum Operating Temperature	65 (°C) / 149 (°F)
Connector or Wiring	Integrated 2-Pin Deutsch Weather-Proof Socket (DT04-2P)
Mating Connector	2-Pin Deutsch Weather-Proof Plug (DT06-2S)
Spec Sheet Printed	2016-07-07

PRODUCT DIMENSIONS



ELECTRICAL SPECIFICATIONS

Input Voltage	12-110 V DC
Operating Voltage	10-130 V DC
Transient Spike Protection	330V Peak @ 1 HZ-100 Pulses
Red Wire	Positive
Black Wire	Negative
Current Draw	1.00A @ 12V DC 0.50A @ 24V DC 0.33A @ 36V DC 0.25A @ 48V DC 0.16A @ 80V DC 0.13A @ 110V DC

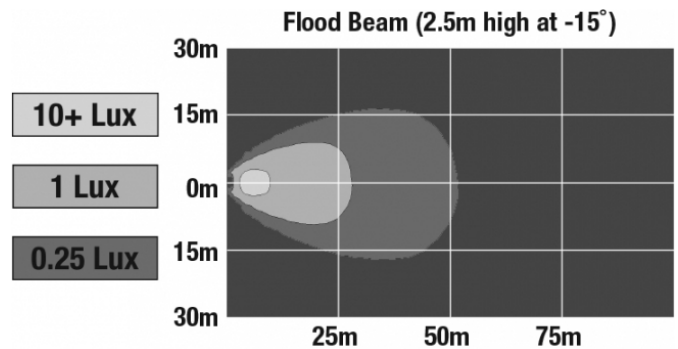
REGULATORY STANDARDS COMPLIANCE



Buy America Standards	CE CISPR 12
CE CISPR 22	Eco Friendly
IEC IP69K	SAE J1113-13
Tested to ECE Reg. 10 (Radiated Emissions only)	UL Listed

PHOTOMETRIC SPECIFICATIONS

Raw Lumen Output	1,080
Effective Lumen Output	780
Nominal LED Color Temperature	5000 (K)
Beam Pattern(s)	Forward Lighting - Flood (Standard)



APPLICATIONS



ACCESSORIES



[Part Number 8200101](#)

**Stainless Steel Mounting
Kit for Work Lights &
Marine Lights**

RELATED PRODUCTS



[Part Number 1300001](#)

**12-24V LED Work Light
with Flood Beam Pattern**



[Part Number 1300011](#)

**12-24V LED Work Light
with Trapezoid Beam
Pattern**



[Part Number 1300021](#)

**12-24V LED Work Light
with Spot Beam Pattern**



[Part Number 1300031](#)

**12-110V LED Work Light
with Trapezoid Beam
Pattern & Integrated 2-
Pin Deutsch Connector**



[Part Number 1300041](#)

**12-110V LED Work Light
with Trapezoid Beam
Pattern & Integrated
AMP Connector**



[Part Number 1300101](#)

**12-110V LED Work Light
with Spot Beam Pattern**



[Part Number 1300301](#)

**12-48V LED Work Light
with Left Hand Vertical
Flood Beam Pattern**



[Part Number 1300311](#)

**12-48V LED Work Light
with Right Hand Vertical
Flood Beam Pattern**