

LED Tail Lights - Model 234

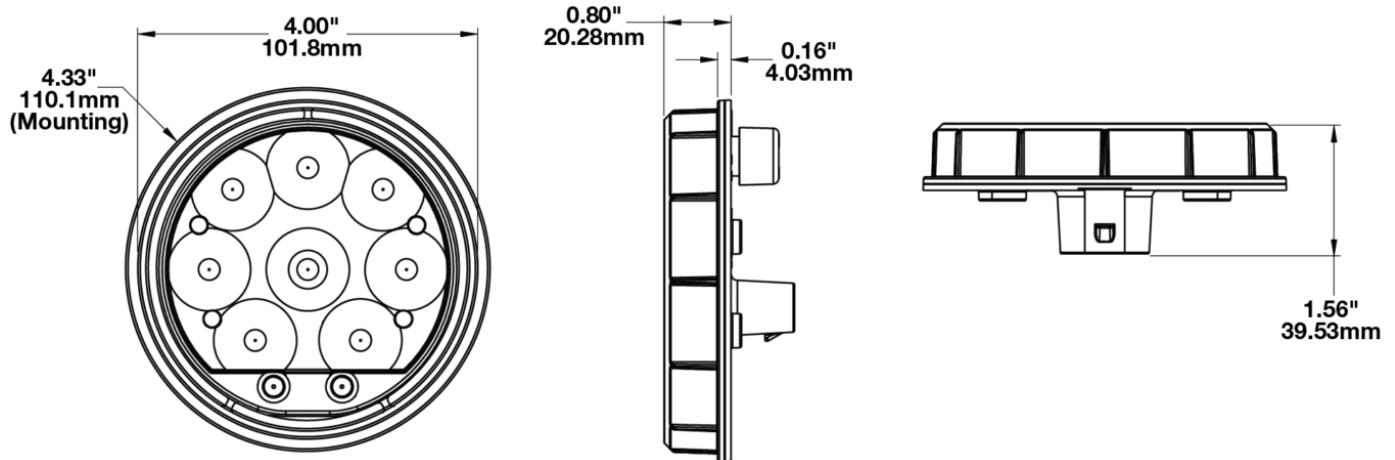
PRODUCT INFORMATION

Description	12/24V DOT LED Heated Flasher, AMBER
Height	20.28 mm / 0.8 in
Width	110.10 mm / 4.33 in
Depth	43.00 mm / 1.69 in
Shape	Round
Outer Lens Material	Polycarbonate
Outer Lens Color	Clear
Housing Material	Polycarbonate
Housing Color	Black
Bezel Color	Amber
Mounting Type	Grommet/Flange Bracket
Minimum Operating Temperature	-40 °C / -40 °F
Maximum Operating Temperature	50 °C / 122 °F
Connector or Wiring	6-Pin Delphi (#12052848)
Mating Connector	Delphi (#12052848)
Product Weight	0.35 lbs / 0.16 kgs
Shipping Weight	1.35 lbs / 0.61 kgs



LED Tail Lights - Model 234

PRODUCT DIMENSIONS



ELECTRICAL SPECIFICATIONS

Input Voltage	12-24V DC
Operating Voltage	9-32V DC
Transient Spike Protection	330V Peak @ 1 HZ-100 Pulses
Current Draw	1.22A @ 12V DC (TURN) 0.67A @ 24V DC (TURN) 1.13A @ 12V DC (2 FLASH) 0.58A @ 24V DC (2 FLASH) 1.01A @ 12V DC (4 FLASH) 0.57A @ 24V DC (4 FLASH) 1.01A @ 12V DC (6 FLASH) 0.57A @ 24V DC (6 FLASH)

REGULATORY STANDARDS COMPLIANCE

Tested to ECE Reg. 10 (Radiated Emissions only)

LED Tail Lights - Model 234

PHOTOMETRIC SPECIFICATIONS

Beam Pattern(s)	Signalization - Turn (Rear) Warning - Flashing Warning Warning - Strobe
Flash Rate 1	2 Flash
Flash Rate 2	4 Flash
Flash Rate 3	6 Flash

APPLICATIONS



PRODUCT WARNINGS

For California residents:

WARNING: Cancer and reproductive harm

ACCESSORIES



Part Number
4242731
4" Round Rubber
Mounting Grommet
for Model 234



Part Number
5869401
4" Round Plastic
Mounting Flange for
Model 234



Part Number
8200441
4" Round Stainless
Steel Trim Ring for
Model 234



Part Number
8200451
4" Round Chrome
Plastic Trim Ring for
Model 234



Part Number
3270501
3-Pin AMP Connector
Wire Harness
Assembly

LED Tail Lights - Model 234

RELATED PRODUCTS



Part Number
0346261

12-24V DOT LED
Heated Red Stop, Tail,
& Turn Light



Part Number
0346264

12-24V DOT LED
Heated Red Stop, Tail,
& Turn Light Kit with
Harness



Part Number
0346421

12-48V DOT LED Non-
Heated White Stop &
Tail Light



Part Number
0346471

12-24V DOT LED
Heated White Reverse
Light



Part Number
0346474

12-24V DOT LED
Heated White Reverse
Light Kit with Harness



Part Number
0347811

12-24V DOT LED
Heated Amber Turn
Signal



Part Number
0347814

12-24V DOT LED
Heated Amber Turn
Signal Kit with Harness



Part Number
0347861

12-24V DOT LED Non-
Heated Red Stop, Tail,
& Turn Light