

# LED Auxiliary Work Light - Model 4418

## PRODUCT INFORMATION

---

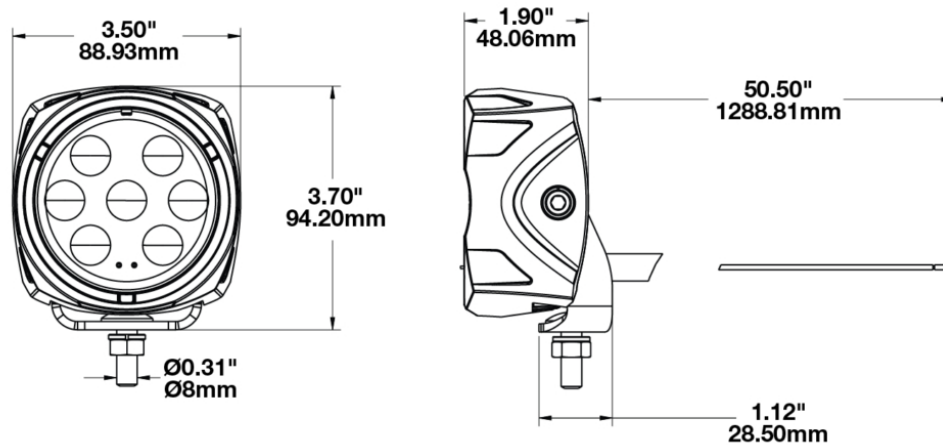
<b>Description</b>	12V LED Work Light with Trapezoid Beam Pattern
<b>Height</b>	95.00 mm / 3.74 in
<b>Width</b>	89.00 mm / 3.5 in
<b>Depth</b>	48.00 mm / 1.89 in
<b>Shape</b>	Square
<b>Outer Lens Material</b>	Polycarbonate
<b>Outer Lens Color</b>	Clear
<b>Housing Material</b>	Die-Cast Aluminum
<b>Housing Color</b>	Black
<b>Mounting Hardware Description</b>	(x1) M8-1.25 x 25mm Single Carriage Bolt
<b>Mounting Type</b>	Pedestal
<b>Minimum Operating Temperature</b>	-40 °C / -40 °F
<b>Maximum Operating Temperature</b>	85 °C / 185 °F
<b>Connector or Wiring</b>	Bare Leads
<b>Product Weight</b>	0.94 lbs / 0.43 kgs
<b>Shipping Weight</b>	1.13 lbs / 0.51 kgs



MODEL  
**4418**

# LED Auxiliary Work Light - Model 4418

## PRODUCT DIMENSIONS



## ELECTRICAL SPECIFICATIONS

<b>Input Voltage</b>	12V DC
<b>Operating Voltage</b>	9-16V DC
<b>Red Wire</b>	Positive
<b>Black Wire</b>	Negative
<b>Current Draw</b>	2.17A @ 9V DC 0.97A @ 16V DC

## REGULATORY STANDARDS COMPLIANCE



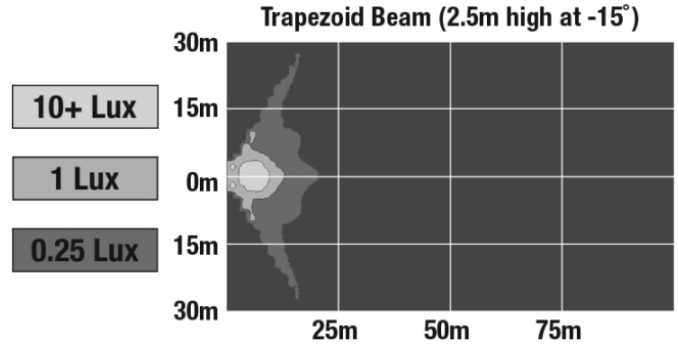
Buy America Standards  
Tested to ECE Reg. 10  
(Radiated Emissions only)

Eco Friendly

# LED Auxiliary Work Light - Model 4418

## PHOTOMETRIC SPECIFICATIONS

<b>Raw Lumen Output</b>	2,450
<b>Effective Lumen Output</b>	1,300
<b>Nominal LED Color Temperature</b>	5000 K
<b>Beam Pattern(s)</b>	Forward Lighting - Trapezoid



## APPLICATIONS



## ACCESSORIES



**Part Number**  
**6149203**  
A-Pillar Mounting Kit  
for Jeep JK



**Part Number**  
**6149233**  
A-Pillar Mounting Kit  
for Jeep TJ

# LED Auxiliary Work Light - Model 4418

## RELATED PRODUCTS

---



**Part Number**  
**0554861**  
12V LED Work Light  
with Spot Beam  
Pattern



**Part Number**  
**0554863**  
12V LED Work Light Kit  
with Spot Beam  
Pattern



**Part Number**  
**0554873**  
12V LED Work Light Kit  
with Trapezoid Beam  
Pattern



**Part Number**  
**0555001**  
12V LED Work Light  
with Flood Beam  
Pattern



**Part Number**  
**0555003**  
12V LED Work Light Kit  
with Flood Beam  
Pattern