

LED Auxiliary Work Light - Model 4418

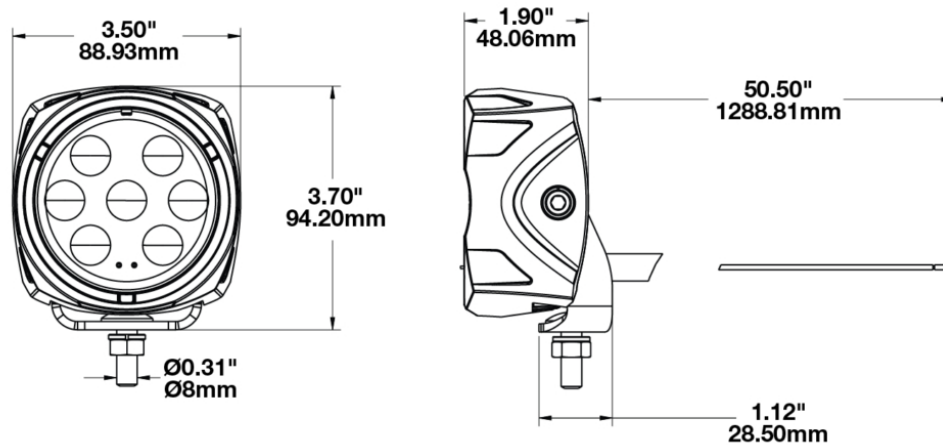
PRODUCT INFORMATION

Description	12V LED Work Light Kit with Spot Beam Pattern
Height	95.00 mm / 3.74 in
Width	89.00 mm / 3.5 in
Depth	48.00 mm / 1.89 in
Shape	Square
Outer Lens Material	Polycarbonate
Outer Lens Color	Clear
Housing Material	Die-Cast Aluminum
Housing Color	Black
Mounting Hardware Description	(x1) M8-1.25 x 25mm Single Carriage Bolt
Mounting Type	Pedestal
Minimum Operating Temperature	-40 °C / -40 °F
Maximum Operating Temperature	85 °C / 185 °F
Connector or Wiring	Bare Leads
Product Weight	1.20 lbs / 0.54 kgs
Shipping Weight	2.36 lbs / 1.07 kgs



LED Auxiliary Work Light - Model 4418

PRODUCT DIMENSIONS



ELECTRICAL SPECIFICATIONS

Input Voltage	12V DC
Operating Voltage	9-16V DC
Red Wire	Positive
Black Wire	Negative
Current Draw	2.17A @ 9V DC 0.97A @ 16V DC

REGULATORY STANDARDS COMPLIANCE



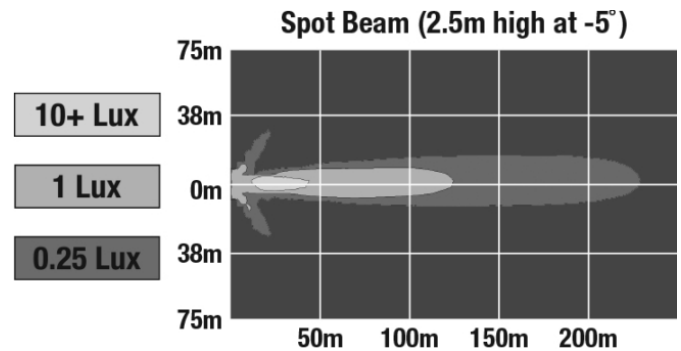
Buy America Standards
IEC IP67
Tested to ECE Reg. 10
(Radiated Emissions only)

Eco Friendly
IEC IP69K

LED Auxiliary Work Light - Model 4418

PHOTOMETRIC SPECIFICATIONS

Raw Lumen Output	2,450
Effective Lumen Output	1,300
Nominal LED Color Temperature	5000 K
Beam Pattern(s)	Forward Lighting - Spot



APPLICATIONS



ADDITIONAL INFORMATION

Each Kit Includes:

- 2 Model 4418 LED Auxiliary Work Lights
- Complete Wiring Kit with:
 - 2-light switch kit with 8 foot relay harness
 - 50 inch extension wires & solder splices for a customized install
 - Illuminated rocker switch for a 13/16 inch mounting hole
 - Weather-tight connectors & a fused battery connection
 - Minimally intrusive switch wire harness for simple install

LED Auxiliary Work Light - Model 4418

ACCESSORIES



Part Number
6149203
A-Pillar Mounting Kit
for Jeep JK



Part Number
6149233
A-Pillar Mounting Kit
for Jeep TJ

RELATED PRODUCTS



Part Number
0554861
12V LED Work Light
with Spot Beam
Pattern



Part Number
0554871
12V LED Work Light
with Trapezoid Beam
Pattern



Part Number
0554873
12V LED Work Light Kit
with Trapezoid Beam
Pattern



Part Number
0555001
12V LED Work Light
with Flood Beam
Pattern



Part Number
0555003
12V LED Work Light Kit
with Flood Beam
Pattern