

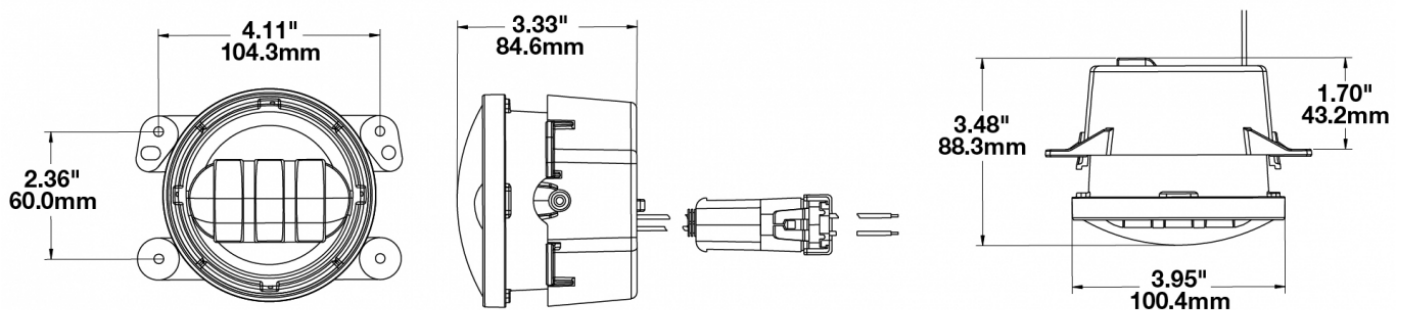
# LED Jeep Fog Lights - Model 6145 J2 Series

## PRODUCT INFORMATION

<b>Description</b>	12V SAE/ECE LED Fog Light with Black Inner Bezel - 2 Light Kit
<b>Height</b>	100.80 mm / 3.97 in
<b>Width</b>	125.73 mm / 4.95 in
<b>Depth</b>	88.39 mm / 3.48 in
<b>Shape</b>	Round
<b>Outer Lens Material</b>	Hardcoated Polycarbonate
<b>Outer Lens Color</b>	Clear
<b>Housing Material</b>	Die-Cast Aluminum
<b>Housing Color</b>	Black
<b>Bezel Color</b>	Black
<b>Mounting Type</b>	Bumper Mount
<b>Retrofits</b>	Jeep, Dodge, PT and Chrysler
<b>Minimum Operating Temperature</b>	-40 °C / -40 °F
<b>Maximum Operating Temperature</b>	65 °C / 149 °F
<b>Mating Connector</b>	Packard #12059183
<b>Shipping Weight</b>	2.30 lbs / 1.04 kgs



## PRODUCT DIMENSIONS



# LED Jeep Fog Lights - Model 6145 J2 Series

## ELECTRICAL SPECIFICATIONS

<b>Input Voltage</b>	12V DC
<b>Operating Voltage</b>	10-15V DC
<b>Red Wire</b>	Positive
<b>Black Wire</b>	Negative
<b>Current Draw</b>	1.60A @ 12V DC

## REGULATORY STANDARDS COMPLIANCE



Buy America Standards

Eco Friendly

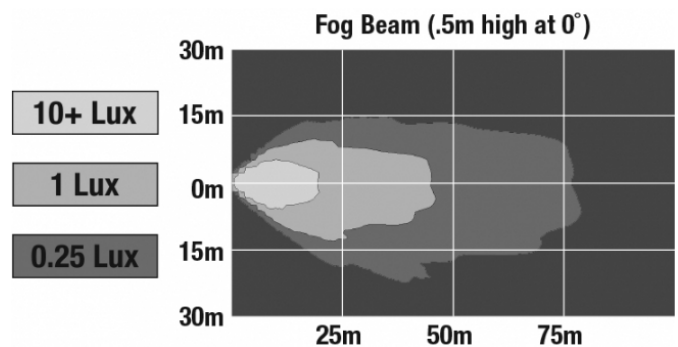
Tested to ECE Reg. 10  
(Radiated Emissions only)

ECE Reg 19

SAE J583

## PHOTOMETRIC SPECIFICATIONS

<b>Raw Lumen Output</b>	1,080
<b>Effective Lumen Output</b>	610
<b>Nominal LED Color Temperature</b>	5000 K
<b>Beam Pattern(s)</b>	Forward Lighting - Fog



# LED Jeep Fog Lights - Model 6145 J2 Series

## APPLICATIONS

---



## INSTALLATION & APPLICATION INFORMATION

---

The Model 6145 J2 Series fog lights are designed exclusively for Jeep Fog Lights, intended for 2007 & newer model year Jeep Wranglers. Splicing required.

## RELATED PRODUCTS

---



**Part Number**

**0554413**

12V SAE/ECE LED Fog  
Light with Carbon Fiber  
Inner Bezel - 2 Light Kit