

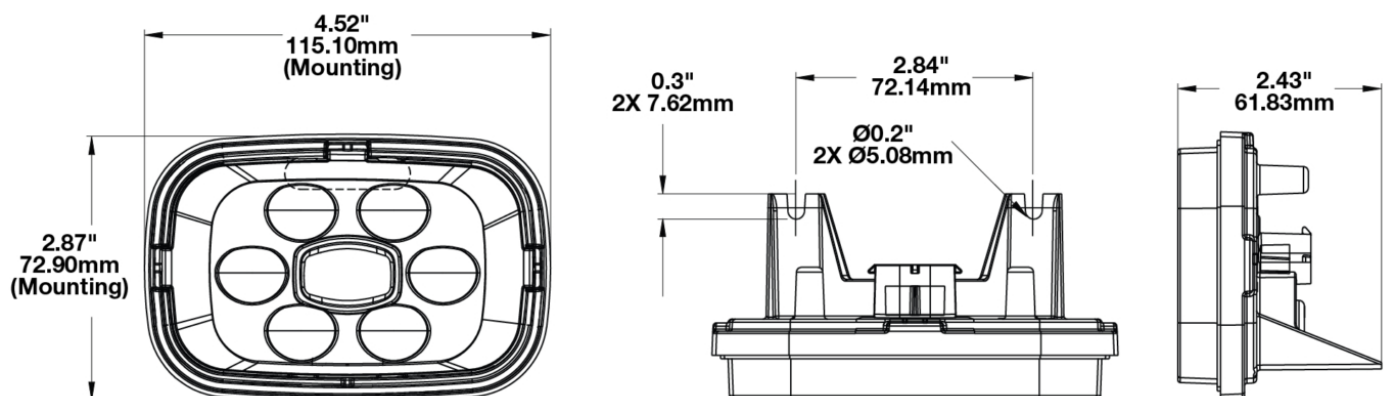
# LED Work Light - Model 785

## PRODUCT INFORMATION

<b>Description</b>	12V LED Work Light with Trapezoid Beam Pattern - 2 Light Kit
<b>Height</b>	82.00 mm / 3.23 in
<b>Width</b>	124.00 mm / 4.88 in
<b>Depth</b>	62.00 mm / 2.44 in
<b>Shape</b>	Rectangular
<b>Outer Lens Material</b>	Polycarbonate
<b>Outer Lens Color</b>	Clear
<b>Housing Material</b>	Nylon 66
<b>Housing Color</b>	Black
<b>Minimum Operating Temperature</b>	-40 °C / -40 °F
<b>Maximum Operating Temperature</b>	65 °C / 149 °F
<b>Connector or Wiring</b>	Integral Connector
<b>Mating Connector</b>	PE 12124819, or 12020599
<b>Product Weight</b>	0.66 lbs / 0.3 kgs
<b>Shipping Weight</b>	0.95 lbs / 0.43 kgs



## PRODUCT DIMENSIONS



# LED Work Light - Model 785

## ELECTRICAL SPECIFICATIONS

---

<b>Input Voltage</b>	12V DC
<b>Operating Voltage</b>	9-16V DC
<b>Transient Spike Protection</b>	150V Peak @ 1 HZ-100 Pulses

## REGULATORY STANDARDS COMPLIANCE

---



IEC IP67

IEC IP69K

## PHOTOMETRIC SPECIFICATIONS

---

<b>Raw Lumen Output</b>	1,242
<b>Effective Lumen Output</b>	460
<b>Candela Output</b>	1,380
<b>Nominal LED Color Temperature</b>	5000 K
<b>Beam Pattern(s)</b>	Forward Lighting - Trapezoid

# LED Work Light - Model 785

## RELATED PRODUCTS

---



**Part Number**

**0554211**

12V LED Work Light  
with Trapezoid Beam  
Pattern