

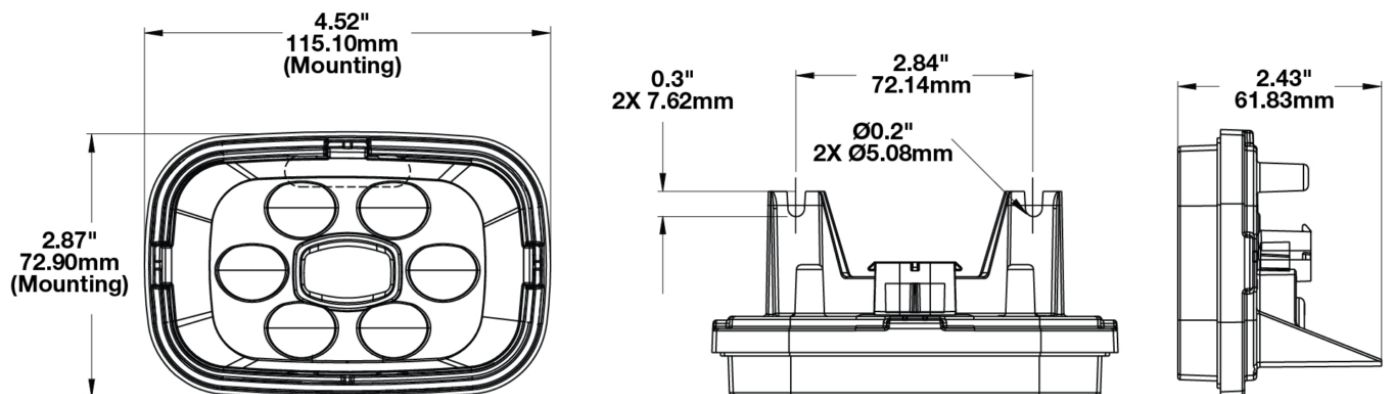
# LED Work Light - Model 785

## PRODUCT INFORMATION

<b>Description</b>	12V LED Work Light with Trapezoid Beam Pattern
<b>Height</b>	82.00 mm / 3.23 in
<b>Width</b>	124.00 mm / 4.88 in
<b>Depth</b>	62.00 mm / 2.44 in
<b>Shape</b>	Rectangular
<b>Outer Lens Material</b>	Polycarbonate
<b>Outer Lens Color</b>	Clear
<b>Housing Material</b>	Nylon 66
<b>Housing Color</b>	Black
<b>Minimum Operating Temperature</b>	-40 °C / -40 °F
<b>Maximum Operating Temperature</b>	65 °C / 149 °F
<b>Connector or Wiring</b>	Integral connector
<b>Mating Connector</b>	PE 12124819, or PE 12020599
<b>Product Weight</b>	0.33 lbs / 0.15 kgs
<b>Shipping Weight</b>	0.56 lbs / 0.25 kgs
<b>Additional Information</b>	Wire inputs are not polarity dependant.



## PRODUCT DIMENSIONS



# LED Work Light - Model 785

## ELECTRICAL SPECIFICATIONS

<b>Input Voltage</b>	12V DC
<b>Operating Voltage</b>	9-16V DC
<b>Transient Spike Protection</b>	150V Peak @ 1 HZ-100 Pulses
<b>Current Draw</b>	1.2A @ 12V DC

## REGULATORY STANDARDS COMPLIANCE

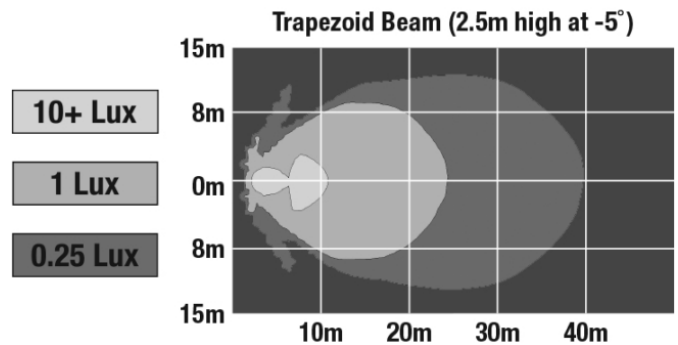


Buy America Standards  
IEC IP67

Eco Friendly  
IEC IP69K

## PHOTOMETRIC SPECIFICATIONS

<b>Raw Lumen Output</b>	1,242
<b>Effective Lumen Output</b>	460
<b>Candela Output</b>	1,380
<b>Nominal LED Color Temperature</b>	5000 K
<b>Beam Pattern(s)</b>	Forward Lighting - Trapezoid



## APPLICATIONS



# LED Work Light - Model 785

## **INSTALLATION & APPLICATION INFORMATION**

---

The Model785 work light fits Case Skid Steers, for 12V DC systems:

- SR (wheel radial lift)
- SV (wheel vertical lift)
- TR (track radial lift)
- TV (track vertical lift)

## **RELATED PRODUCTS**

---



**Part Number**

**0554213**

12V LED Work Light  
with Trapezoid Beam  
Pattern - 2 Light Kit