

LED Headlights - Model 8700 Evolution J2 Series

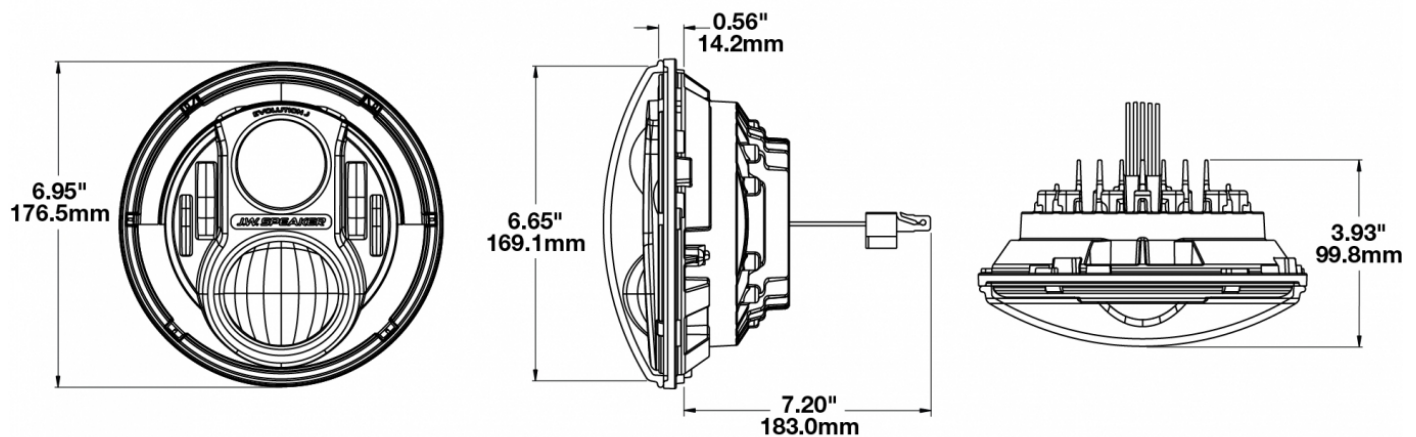
PRODUCT INFORMATION

Description	12V ECE RHT LED High & Low Beam Headlights with FP, DRL, & Carbon Fiber Bezel - 2 Light Kit
Height	176.53 mm / 6.95 in
Width	176.53 mm / 6.95 in
Depth	99.82 mm / 3.93 in
Shape	Round
Outer Lens Material	Polycarbonate
Outer Lens Color	Clear
Housing Material	Die-Cast Aluminum
Housing Color	Gray
Bezel Color	Black Carbon Fiber
Retrofits	7" round headlights or 2D1 PAR56
Minimum Operating Temperature	-40 °C / -40 °F
Maximum Operating Temperature	65 °C / 149 °F
Connector or Wiring	H4
Mating Connector	H4 AMP 172615-2
Product Weight	4.75 lbs / 2.15 kgs
Shipping Weight	6.55 lbs / 2.97 kgs



LED Headlights - Model 8700 Evolution J2 Series

PRODUCT DIMENSIONS



ELECTRICAL SPECIFICATIONS

Input Voltage	12V DC
Operating Voltage	9-16V DC
Transient Spike Protection	150V Peak @ 1 HZ-100 Pulses
Black Wire	Ground
White Wire	High Beam
Yellow Wire	Low Beam
Red Wire	Front Position
Blue Wire	DRL
Current Draw	4.20A @ 12V DC (High Beam) 2.00A @ 12V DC (Low Beam) 1.60A @ 12V DC (DRL) 0.16A @ 12V DC (Front Position)

LED Headlights - Model 8700 Evolution J2 Series

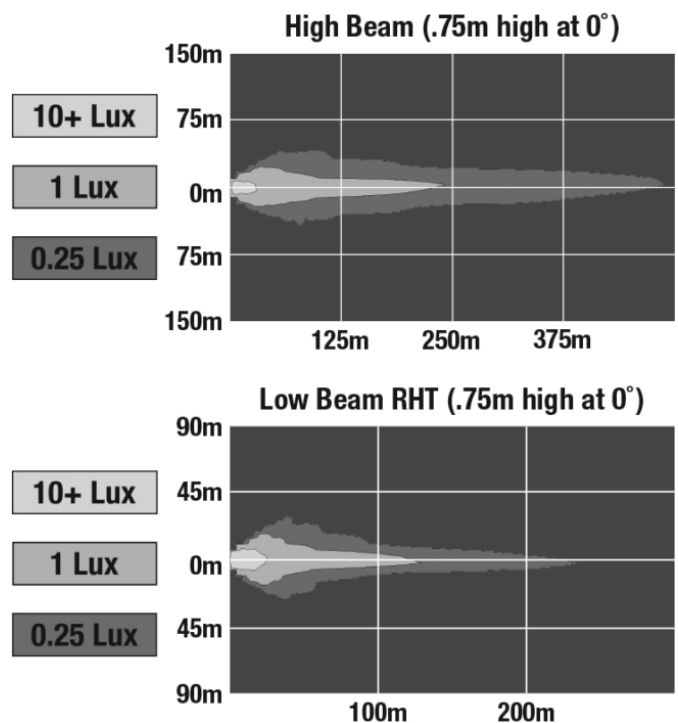
REGULATORY STANDARDS COMPLIANCE



Buy America Standards	ECE Reg 10
ECE Reg 112	ECE Reg 7
ECE Reg 87	Eco Friendly
IEC IP67	

PHOTOMETRIC SPECIFICATIONS

Raw Lumen Output	3,200 (High Beam); 1,770 (Low Beam)
Effective Lumen Output	1,260 (High Beam); 750 (Low Beam)
Candela Output	71,500 (High Beam); 35,003 (Low Beam)
Nominal LED Color Temperature	5000 K
Beam Pattern(s)	Forward Lighting - Daytime Running Light Forward Lighting - High Beam (DOT/ECE) Forward Lighting - Low Beam (ECE Right Hand) Signalization - Front Position



LED Headlights - Model 8700 Evolution J2 Series

APPLICATIONS



INSTALLATION & APPLICATION INFORMATION

The Model 8700 Evolution J2 Series is intended for use on 2007+ Jeep Wranglers & Jeep Wrangler Unlimited.

Depending on your 2017 Jeep Model, you may need mounting rings to install Model 8700 Evolution J2 LED headlight upgrades. Refer to the table below:

Jeep Model	Type of Standard Lights	J.W. Speaker Mounting Ring Kit Required for LED Upgrades
Chief	LED	Yes
Rubicon	LED	Yes
Rubicon Hard Rock	LED	Yes
Rubicon Recon	LED	Yes
Sahara	LED	Yes
Smoky Mountain	LED	Yes
Winter	LED	Yes
75th Anniversary Edition	LED	Yes (<i>No, if equipped with halogen</i>)
Big Bear	Halogen	No
Freedom Edition	Halogen	No
Sport	Halogen	No
Sport S	Halogen	No
Wilys Wheeler	Halogen	No

LED Headlights - Model 8700 Evolution J2 Series

ADDITIONAL INFORMATION

This light has been updated with Dual Burn™ high beam optics.

This technology combines your high and low beam when turning on your high beam, providing the driver with both widespread visibility along with a powerful punch of light down the road.



LOW BEAM



**STANDARD
HIGH BEAM**



**DUAL BURN™
HIGH BEAM**

ACCESSORIES



Part Number
5868171

Single Mounting Ring
(Right Hand Side) for
2017 Jeeps 7" Round
Headlights



Part Number
5868181

Single Mounting Ring
(Left Hand Side) for
2017 Jeeps 7" Round
Headlights



Part Number
8200461

Mounting Ring Kit for
2017-18 Jeep JK 7"
Round Headlights

LED Headlights - Model 8700 Evolution J2 Series

RELATED PRODUCTS



Part Number
0553973
12V DOT LED High & Low Beam Headlights with Carbon Fiber Bezel - 2 Light Kit



Part Number
0553993
12V ECE LHT LED High & Low Beam Headlights with FP, DRL, & Carbon Fiber Bezel - 2 Light Kit



Part Number
0554543
12V DOT LED High & Low Beam Headlights with Black Bezel - 2 Light Kit



Part Number
0554553
12V ECE RHT LED High & Low Beam Headlights with FP, DRL, & Black Bezel - 2 Light Kit



Part Number
0554563
12V ECE LHT LED High & Low Beam Headlights with FP, DRL, & Black Bezel - 2 Light Kit