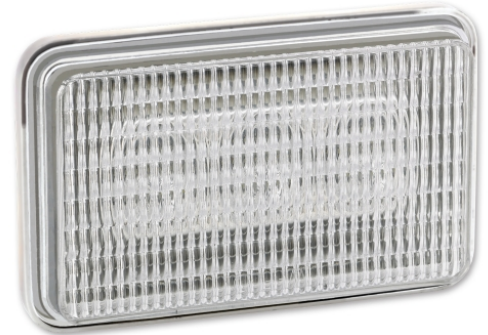


LED Work Light - Model 803

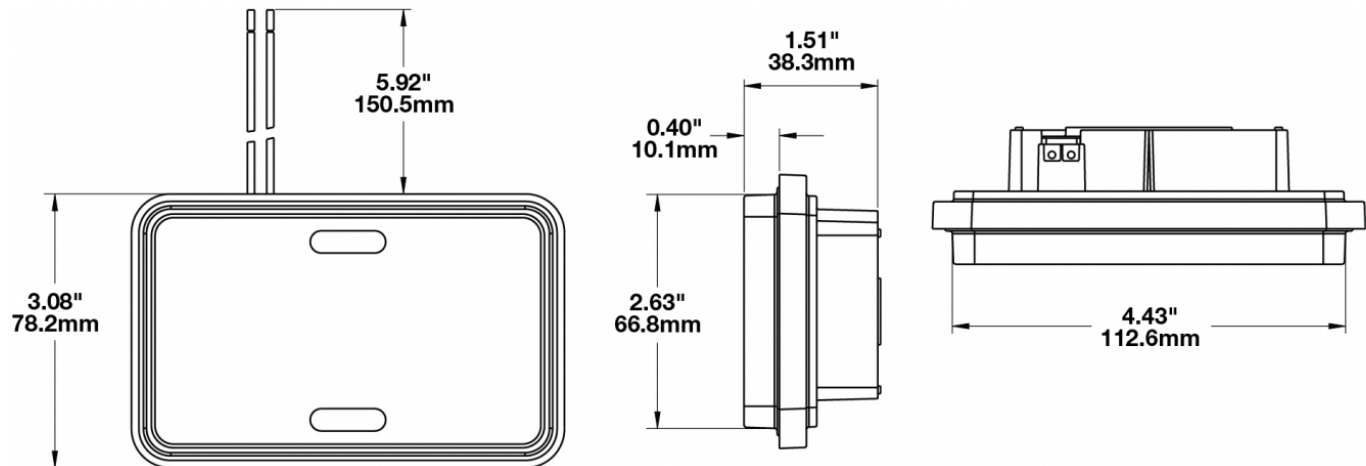
PRODUCT INFORMATION

Description	12-48V LED Work Light with Flood Beam Pattern
Height	78.23 mm / 3.08 in
Width	123.95 mm / 4.88 in
Depth	39.12 mm / 1.54 in
Shape	Rectangular
Outer Lens Material	Polycarbonate
Outer Lens Color	Clear
Housing Material	Polycarbonate
Housing Color	Clear
Bezel Color	Black
Mounting Type	Low Profile Mount
Minimum Operating Temperature	-40 °C / -40 °F
Maximum Operating Temperature	65 °C / 149 °F
Connector or Wiring	.25 Male Blade Term
Mating Connector	.25 Female Blade Term
Product Weight	0.30 lbs / 0.14 kgs
Shipping Weight	2.34 lbs / 1.06 kgs



LED Work Light - Model 803

PRODUCT DIMENSIONS



ELECTRICAL SPECIFICATIONS

Input Voltage	12-48V DC
Operating Voltage	10-60V DC
Transient Spike Protection	150V Peak @ 1 HZ-100 Pulses
Black Wire	Ground
Current Draw	.00042A @ 12V DC .00021A @ 24V DC .00014A @ 36V DC .00011A @ 48V DC

REGULATORY STANDARDS COMPLIANCE



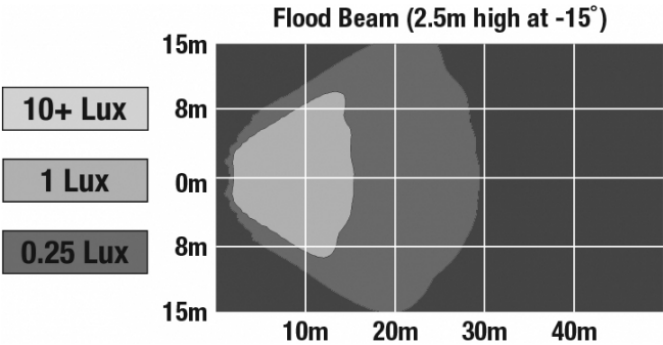
Buy America Standards
IEC IP67

Eco Friendly
UL Recognized

LED Work Light - Model 803

PHOTOMETRIC SPECIFICATIONS

Raw Lumen Output 495
Effective Lumen Output 294
Nominal LED Color Temperature 5000 K



APPLICATIONS

