

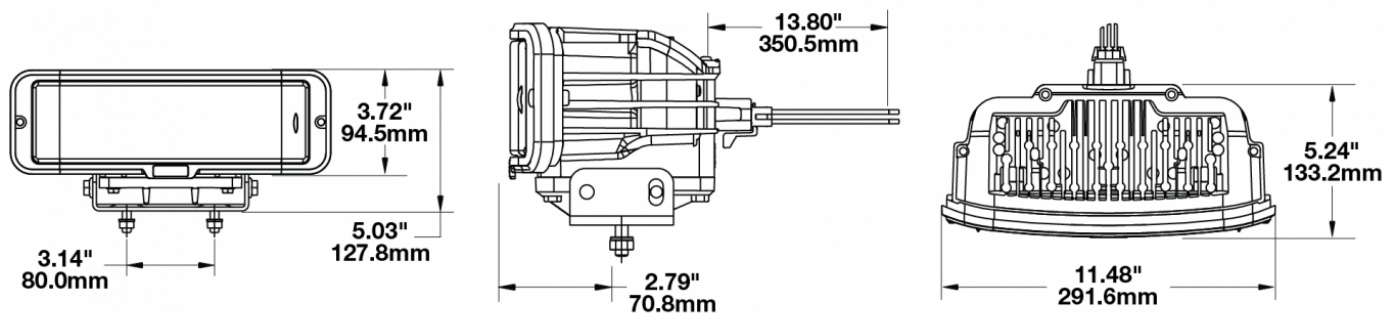
# LED Headlight - Model 9800

## PRODUCT INFORMATION

<b>Description</b>	24V DOT LED Heated Headlight - 2 Light Kit
<b>Height</b>	94.53 mm / 3.72 in
<b>Width</b>	291.58 mm / 11.48 in
<b>Depth</b>	133.17 mm / 5.24 in
<b>Shape</b>	Rectangular
<b>Outer Lens Material</b>	Polycarbonate
<b>Outer Lens Color</b>	Clear
<b>Housing Material</b>	Xenoy
<b>Housing Color</b>	Black
<b>Bezel Color</b>	Black
<b>Mounting Hardware Description</b>	(x4) M8 - 1.25-80 mm x 25 mm SS Carriage Bolt
<b>Mounting Type</b>	Universal Pedestal Mount
<b>Mating Connector</b>	Delphi (#12052848)
<b>Shipping Weight</b>	8.09 lbs / 3.67 kgs



## PRODUCT DIMENSIONS



# LED Headlight - Model 9800

## ELECTRICAL SPECIFICATIONS

---

<b>Input Voltage</b>	24V DC
<b>Operating Voltage</b>	20-32V DC
<b>Red Wire</b>	Front Position
<b>Black Wire</b>	Ground
<b>White Wire</b>	High Beam
<b>Yellow Wire</b>	Turn
<b>Blue Wire</b>	Non-Functioning
<b>Orange Wire</b>	Low Beam
<b>Current Draw</b>	1.20A @ 24V DC (Low Beam) 1.60A @ 24V DC (High Beam) 0.27A @ 24V DC (Turn Signal) 0.03A @ 24V DC (DRL)

## REGULATORY STANDARDS COMPLIANCE

---



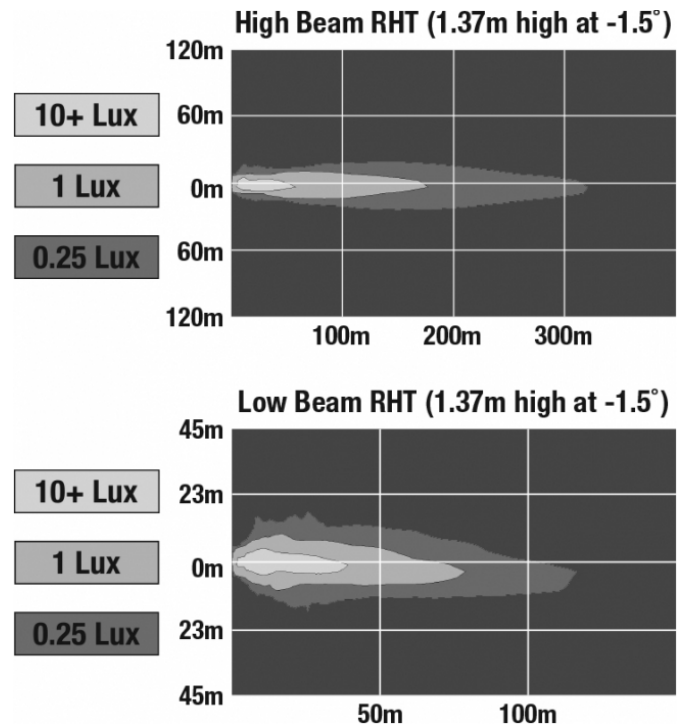
Buy America Standards  
FMVSS 108 Table VI  
FMVSS 108 Table XIX

Eco Friendly  
FMVSS 108 Table XIV  
FMVSS 108 Table XVIII

# LED Headlight - Model 9800

## PHOTOMETRIC SPECIFICATIONS

<b>Raw Lumen Output</b>	2,880 (High Beam); 2,160 (Low Beam)
<b>Effective Lumen Output</b>	1,150 (High Beam); 800 (Low Beam)
<b>Nominal LED Color Temperature</b>	5000 K
<b>Beam Pattern(s)</b>	Forward Lighting - High Beam (DOT/ECE) Forward Lighting - Low Beam (DOT) Signalization - Turn (Front)



## APPLICATIONS



## ADDITIONAL INFORMATION

J.W. Speaker's Model 9800 is best suited for normal snow plowing, not "high speed" plowing on highways. Consult with your J.W. Speaker salesperson for more information.

The Model 9800 is not designed to be a plug and play for Boss snow plows. If you have a Boss snow plow please see your local Boss dealer for information on the right product to use.

Lamp design integrates acceptance of mating connector Delphi #1205848

# LED Headlight - Model 9800

## A SMART HEATING SYSTEM

---

The Model 9800 offers a smart heating system that senses ambient temperature and turns the integrated heating system in the lens on & off. This system only uses 15-18 watts of power, exceeds strict military standards for de-icing, and actually clears ice & snow twice as fast as conventional halogen lamps.

### When does the heater turn on?

Heater turns on or off according to temperature changes and vehicle power:

- Heater will turn on when temperatures drop, generating enough heat to prevent ice build-up
- Heater will turn on when powering up, de-icing the light as rapidly as possible

## RELATED PRODUCTS

---



**Part Number**  
**0550061**  
12-24V DOT LED Non-Heated Headlight - 2 Light Kit



**Part Number**  
**0550161**  
12-24V ECE LED RHT Non-Heated Headlight - 2 Light Kit



**Part Number**  
**0550171**  
12-24V ECE LED LHT Non-Heated Headlight - 2 Light Kit



**Part Number**  
**0551833**  
24V ECE LED RHT Heated Headlight - 2 Light Kit



**Part Number**  
**0551863**  
24V ECE LED LHT Heated Headlight - 2 Light Kit



**Part Number**  
**0552243**  
12V DOT LED Heated Headlight - 2 Light Kit



**Part Number**  
**0552423**  
12V ECE LED RHT Heated Headlight - 2 Light Kit



**Part Number**  
**0552433**  
12V ECE LED LHT Heated Headlight - 2 Light Kit

---

If you're looking for quality LED Headlights products by J.W. Speaker, we've you covered.