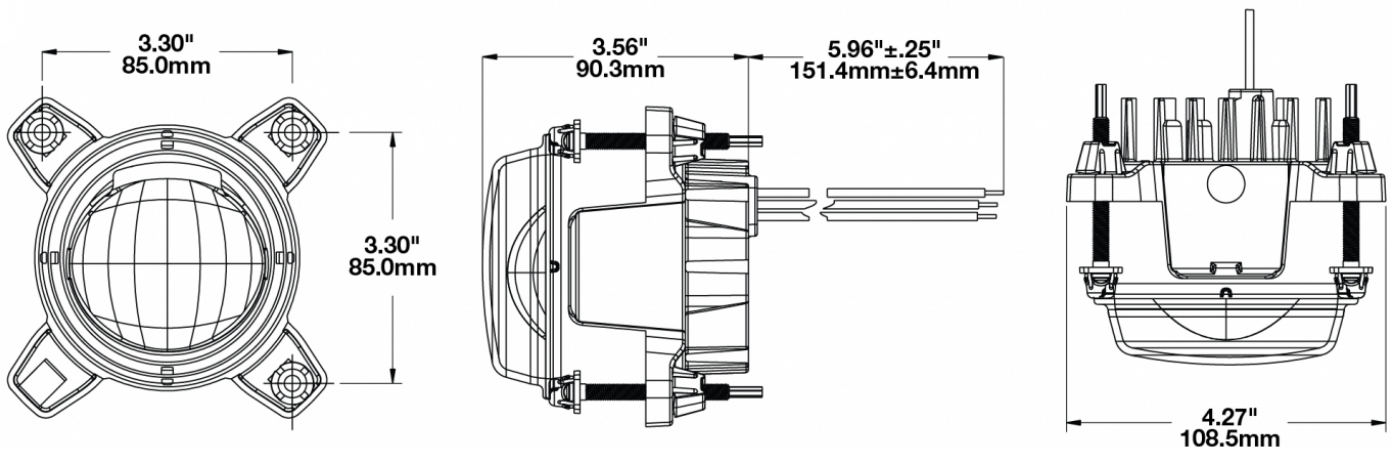




**PRODUCT INFORMATION**

<b>Description</b>	12-24V DOT/ECE LED Symmetrical Low Beam Headlight
<b>Height</b>	108.46 (mm) / 4.27 (in)
<b>Width</b>	108.46 (mm) / 4.27 (in)
<b>Depth</b>	90.42 (mm) / 3.56 (in)
<b>Shape</b>	Round
<b>Outer Lens Material</b>	Polycarbonate
<b>Outer Lens Color</b>	Clear
<b>Housing Material</b>	Die-Cast Aluminum
<b>Bezel Color</b>	Black
<b>Mounting Hardware Description</b>	(x3) Ball & Socket
<b>Minimum Operating Temperature</b>	-40 (°C) / -40 (°F)
<b>Maximum Operating Temperature</b>	65 (°C) / 149 (°F)
<b>Connector or Wiring</b>	6" Bare Leads
<b>Mating Connector</b>	Deutsch 2-Pin
<b>Product Weight</b>	1.30 (lbs) / 0.59 (kgs)
<b>Spec Sheet Printed</b>	2016-07-07

**PRODUCT DIMENSIONS**



**ELECTRICAL SPECIFICATIONS**

<b>Input Voltage</b>	12-24 V DC
<b>Operating Voltage</b>	10-31 V DC
<b>Red Wire</b>	Positive
<b>Black Wire</b>	Negative
<b>Current Draw</b>	1.97A @ 12V DC .98A @ 24V DC

**REGULATORY STANDARDS COMPLIANCE**

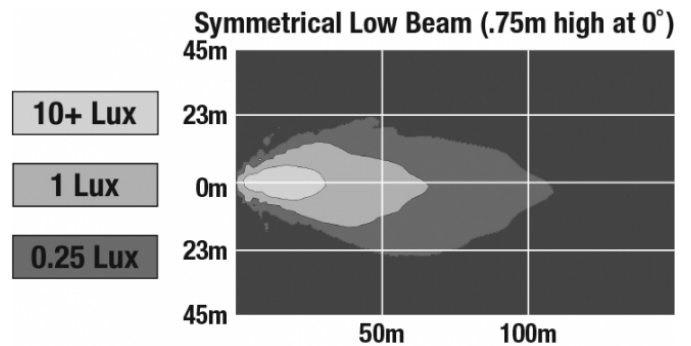


Buy America Standards  
Eco Friendly  
IEC IP67

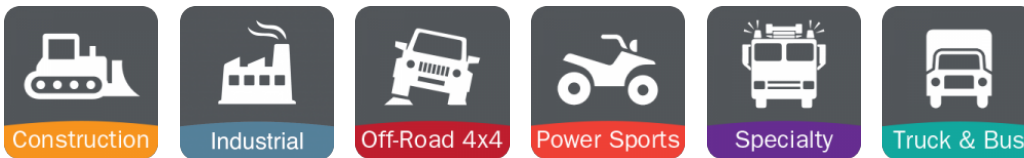
ECE Reg 113  
FMVSS 108 Table XIX

**PHOTOMETRIC SPECIFICATIONS**

<b>Raw Lumen Output</b>	1,910
<b>Effective Lumen Output</b>	575
<b>Candela Output</b>	18,000
<b>Nominal LED Color Temperature</b>	5000 (K)
<b>Beam Pattern(s)</b>	Forward Lighting - Driving Forward Lighting - Low Beam (DOT)



**APPLICATIONS**



**ACCESSORIES**



[Part Number 8200111](#)

**Model 90 Replacement  
Adjuster Kit**

**RELATED PRODUCTS**



[Part Number 0547751](#)

**12-24V DOT/ECE LED High  
Beam Headlight**



[Part Number 0551201](#)

**12-24V ECE LED LHT Low  
Beam Headlight**



[Part Number 0551211](#)

**12-24V DOT/ECE LED RHT  
Low Beam Headlight**