

# LED Headlight - Model 8820

## PRODUCT INFORMATION

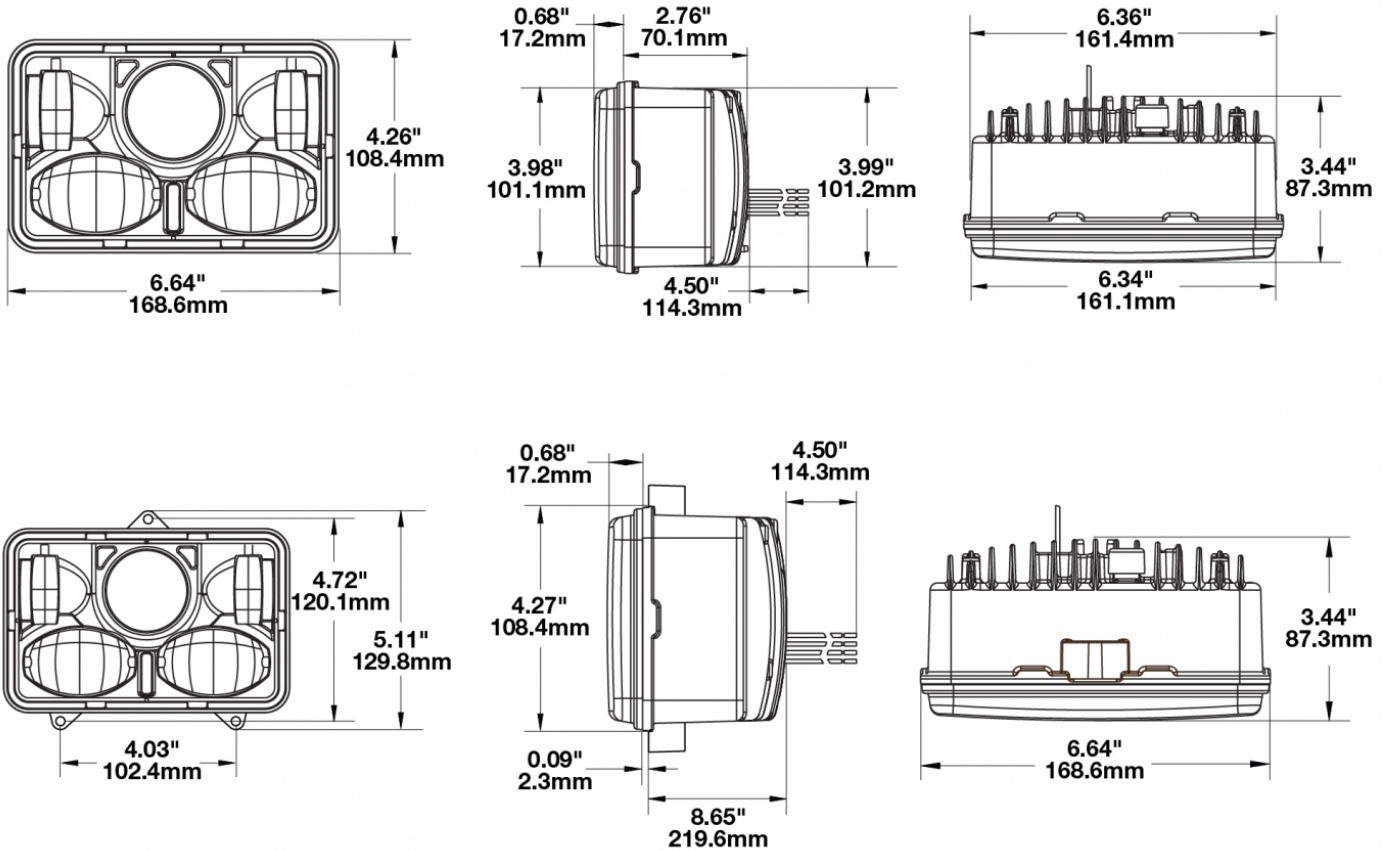
---

<b>Description</b>	12-24 DOT/ECE LED RHT High & Low Beam Headlight with FP & Panel Mount
<b>Height</b>	129.79 mm / 5.11 in
<b>Width</b>	168.66 mm / 6.64 in
<b>Depth</b>	87.38 mm / 3.44 in
<b>Shape</b>	Rectangular
<b>Outer Lens Material</b>	Polycarbonate
<b>Outer Lens Color</b>	Clear
<b>Housing Material</b>	Aluminum
<b>Housing Color</b>	Black
<b>Bezel Color</b>	Black
<b>Mounting Type</b>	Panel Mount
<b>Connector or Wiring</b>	12" Flying Leads
<b>Mating Connector</b>	n/a
<b>Product Weight</b>	2.50 lbs / 1.13 kgs
<b>Shipping Weight</b>	1.71 lbs / 0.78 kgs



# LED Headlight - Model 8820

## PRODUCT DIMENSIONS



# LED Headlight - Model 8820

## ELECTRICAL SPECIFICATIONS

---

<b>Input Voltage</b>	12-24V DC
<b>Operating Voltage</b>	10-30V DC
<b>Black Wire</b>	Ground
<b>White Wire</b>	High Beam
<b>Yellow Wire</b>	Low Beam
<b>Red Wire</b>	Front Position
<b>Current Draw</b>	1.11A @ 12V DC (Low Beam) 0.96A @ 24V DC (Low Beam) 2.14A @ 12V DC (High Beam) 1.56A @ 24V DC (High Beam) 0.056A @ 12V DC (Front Position) 0.065A @ 24V DC (Front Position)

## REGULATORY STANDARDS COMPLIANCE

---



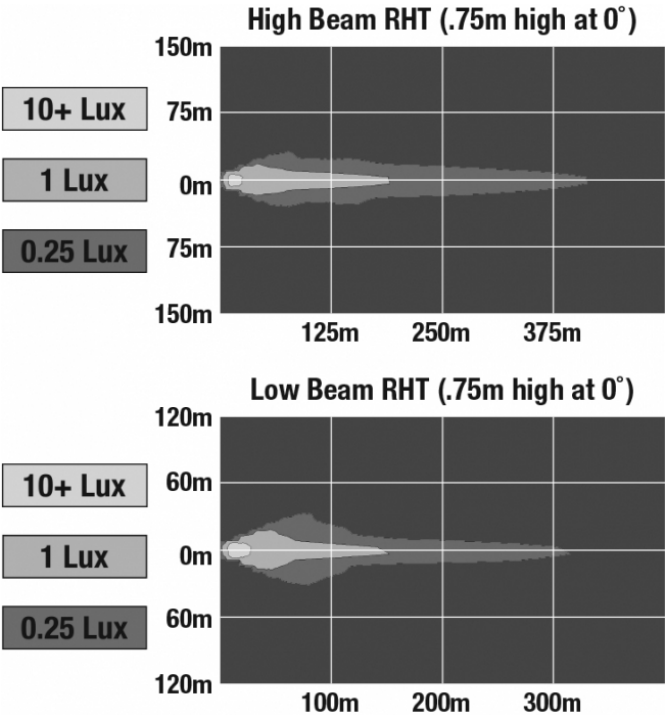
Buy America Standards  
ECE Reg 7  
FMVSS 108 Table XIX  
IEC IP67

ECE Reg 112  
Eco Friendly  
FMVSS 108 Table XVIII

# LED Headlight - Model 8820

## PHOTOMETRIC SPECIFICATIONS

<b>Raw Lumen Output</b>	2,100 (High Beam); 1,850 (Low Beam)
<b>Effective Lumen Output</b>	755 (High Beam); 645 (Low Beam)
<b>Beam Pattern(s)</b>	Forward Lighting - High Beam (DOT/ECE) Forward Lighting - Low Beam (DOT) Forward Lighting - Low Beam (ECE Right Hand) Signalization - Front Position



## APPLICATIONS



# LED Headlight - Model 8820

## RELATED PRODUCTS

---



**Part Number**  
**0550271**

12-24 DOT/ECE LED  
RHT High & Low Beam  
Headlight with FP & 3  
Point Mount



**Part Number**  
**0550281**

12-24 ECE LED LHT  
High & Low Beam  
Headlight with FP & 3  
Point Mount



**Part Number**  
**0550941**

12-24 ECE LED LHT  
High & Low Beam  
Headlight with FP &  
Panel Mount