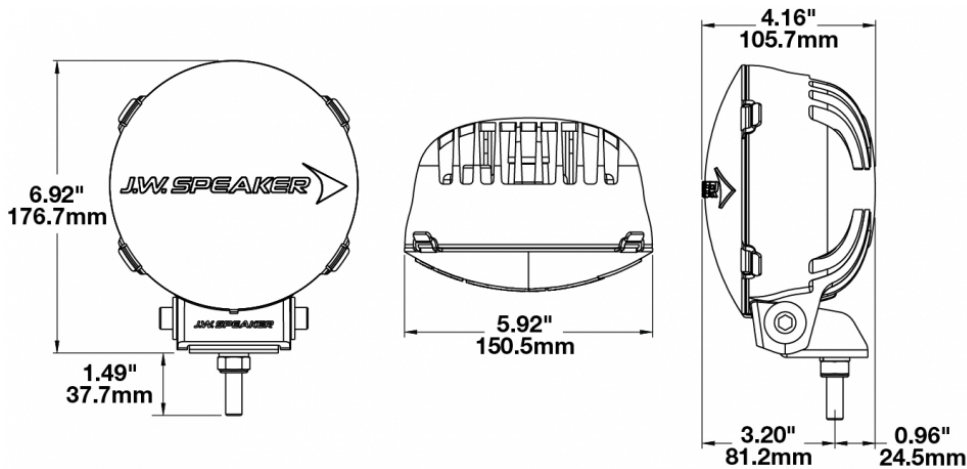


PRODUCT INFORMATION



Description	12-24V LED Auxiliary Light with Pencil Beam - 2 Light Kit
Height	172.72 (mm) / 6.8 (in)
Width	152.40 (mm) / 6 (in)
Depth	104.14 (mm) / 4.1 (in)
Shape	Round
Outer Lens Material	Polycarbonate
Outer Lens Color	Clear
Housing Material	Xenoy
Housing Color	Black
Mounting Hardware Description	(x1) 3/8-16 x 1.5" Stainless Steel Screws
Mounting Type	Bracket
Connector or Wiring	Integral Deutsch DT04-2P
Mating Connector	DT06-2P
Spec Sheet Printed	2016-07-07

PRODUCT DIMENSIONS



ELECTRICAL SPECIFICATIONS

Input Voltage	12-24 V DC
Operating Voltage	9-32 V DC
Red Wire	Positive
Black Wire	Negative
Current Draw	1.40A @ 9V DC (Standard) 0.90A @ 16V DC (Standard) 2.70A @ 9V DC (Jeep) 1.60A @ 16V DC (Jeep)

REGULATORY STANDARDS COMPLIANCE

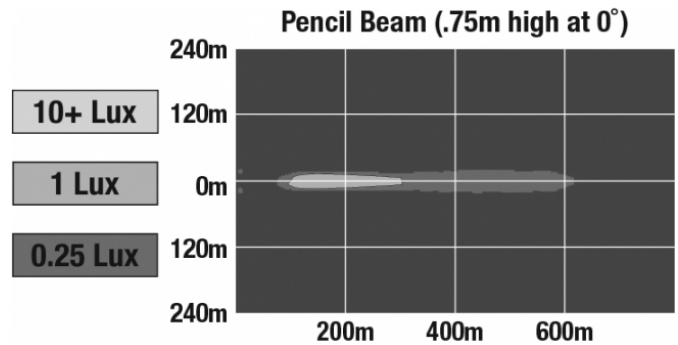


Buy America Standards
IEC IP67

Eco Friendly

PHOTOMETRIC SPECIFICATIONS

Raw Lumen Output	1,960
Effective Lumen Output	1,080
Candela Output	96,000
Beam Pattern(s)	Forward Lighting - Pencil



APPLICATIONS



ACCESSORIES



[Part Number 6149203](#)

**A-Pillar Mounting Kit for
Jeep JK**



[Part Number 6149233](#)

**A-Pillar Mounting Kit for
Jeep TJ**

RELATED PRODUCTS



[Part Number 0550441](#)

**12-24V DOT LED Auxiliary
Light with Driving Beam
- 1 Light**



[Part Number 0550443](#)

**12-24V DOT LED Auxiliary
Light with Driving Beam
- 2 Light Kit**



[Part Number 0550461](#)

**12-24V ECE LED Auxiliary
Light with Driving Beam
- 1 Light**



[Part Number 0550463](#)

**12-24V ECE LED Auxiliary
Light with Driving Beam
- 2 Light Kit**



[Part Number 0550481](#)

**12-24V LED Auxiliary
Light with Pencil Beam -
1 Light**