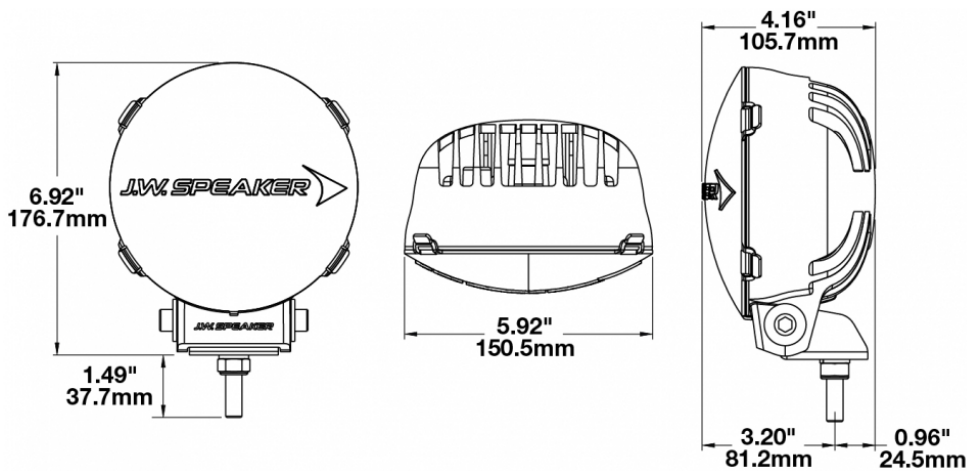


PRODUCT INFORMATION



Description	12-24V DOT LED Auxiliary Light with Driving Beam - 2 Light Kit
Height	172.72 (mm) / 6.8 (in)
Width	152.40 (mm) / 6 (in)
Depth	104.14 (mm) / 4.1 (in)
Shape	Round
Outer Lens Material	Polycarbonate
Outer Lens Color	Clear
Housing Material	Xenoy
Housing Color	Black
Mounting Hardware Description	(x1) 3/8-16 x 1.5" Stainless Steel Screws
Mounting Type	Bracket
Connector or Wiring	Integral Deutsch DT04-2P
Mating Connector	DT06-2S
Spec Sheet Printed	2016-07-07

PRODUCT DIMENSIONS



ELECTRICAL SPECIFICATIONS

Input Voltage	12-24 V DC
Operating Voltage	9-32 V DC
Red Wire	Positive
Black Wire	Negative
Current Draw	1.15A @ 12V DC (Standard) 0.60A @ 24V DC (Standard) 2.15A @ 12V DC (Jeep) 1.00A @ 24V DC (Jeep)

REGULATORY STANDARDS COMPLIANCE

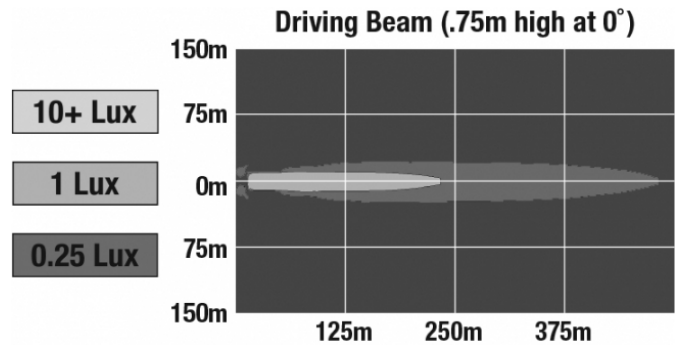


Buy America Standards
FMVSS 108 Table XVIII

Eco Friendly
IEC IP67

PHOTOMETRIC SPECIFICATIONS

Raw Lumen Output	1,960
Effective Lumen Output	1,080
Candela Output	55,000
Beam Pattern(s)	Forward Lighting - Driving



APPLICATIONS



ACCESSORIES



[Part Number 6149203](#)

**A-Pillar Mounting Kit for
Jeep JK**



[Part Number 6149233](#)

**A-Pillar Mounting Kit for
Jeep TJ**

RELATED PRODUCTS



[Part Number 0550441](#)

**12-24V DOT LED Auxiliary
Light with Driving Beam
- 1 Light**



[Part Number 0550461](#)

**12-24V ECE LED Auxiliary
Light with Driving Beam
- 1 Light**



[Part Number 0550463](#)

**12-24V ECE LED Auxiliary
Light with Driving Beam
- 2 Light Kit**



[Part Number 0550481](#)

**12-24V LED Auxiliary
Light with Pencil Beam -
1 Light**



[Part Number 0550483](#)

**12-24V LED Auxiliary
Light with Pencil Beam -
2 Light Kit**