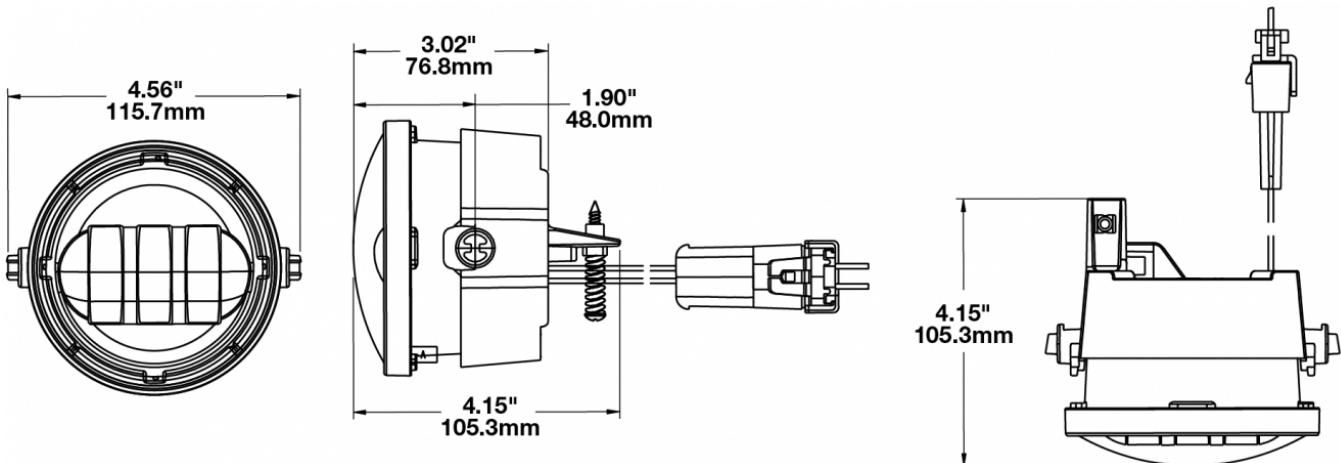




PRODUCT INFORMATION

Description	12V DOT/ECE RHT & LHT LED Fog Light with Chrome Inner Bezel (for 2005-2010 Model Years)
Height	100.33 (mm) / 3.95 (in)
Width	115.82 (mm) / 4.56 (in)
Depth	105.41 (mm) / 4.15 (in)
Shape	Round
Outer Lens Material	Hardcoated Polycarbonate
Outer Lens Color	Clear
Housing Material	Die-Cast Aluminum
Housing Color	Black
Bezel Color	Chrome
Mounting Type	Bumper Mount
Minimum Operating Temperature	-40 (°C) / -40 (°F)
Maximum Operating Temperature	65 (°C) / 149 (°F)
Mating Connector	Packard (#12059183)
Additional Information	Two versions designed to retrofit Ford F-150 fog lights: 2005-2010 Ford F-150 and 2011-2014 Ford F-150
Spec Sheet Printed	2016-07-07

PRODUCT DIMENSIONS



ELECTRICAL SPECIFICATIONS

Input Voltage	12 V DC
Operating Voltage	10-15 V DC
Red Wire	Positive
Black Wire	Negative
Current Draw	1.6A @ 12V DC

REGULATORY STANDARDS COMPLIANCE

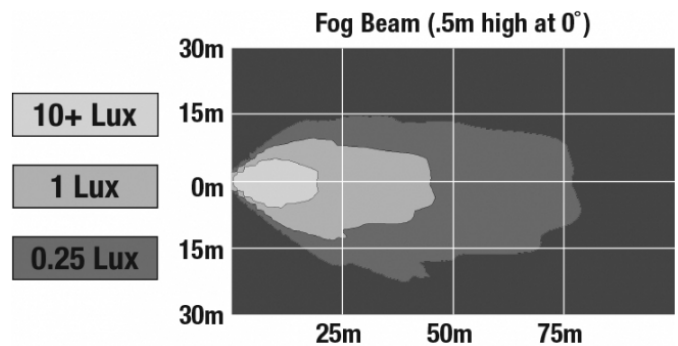


Buy America Standards
SAE J583

Eco Friendly

PHOTOMETRIC SPECIFICATIONS

Raw Lumen Output	1,080
Effective Lumen Output	610
Nominal LED Color Temperature	5000 (K)
Beam Pattern(s)	Forward Lighting - Fog



APPLICATIONS



RELATED PRODUCTS



[Part Number 0549651](#)

**12V DOT/ECE RHT & LHT
LED Fog Light with Black
Inner Bezel (for 2011-
2014 Model Years)**



[Part Number 0549661](#)

**12V DOT/ECE RHT & LHT
LED Fog Light with
Chrome Inner Bezel (for
2011-2014 Model Years)**



[Part Number 0549671](#)

**12V DOT/ECE RHT & LHT
LED Fog Light with Black
Inner Bezel (for 2005-
2010 Model Years)**