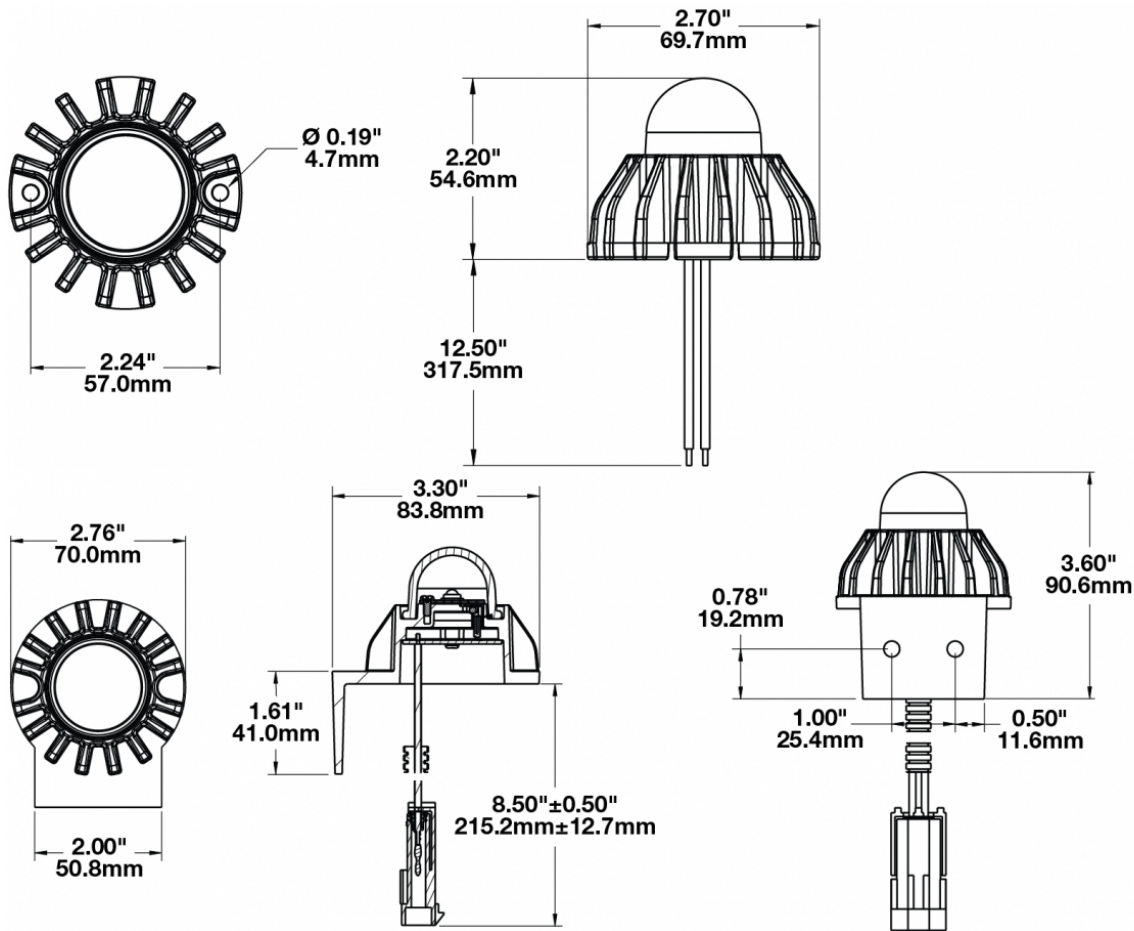




PRODUCT INFORMATION

Description	12-24V LED Engine Compartment Light without Mounting Bracket
Height	83.82 (mm) / 3.3 (in)
Width	70.10 (mm) / 2.76 (in)
Depth	91.44 (mm) / 3.6 (in)
Shape	Round
Outer Lens Material	Glass
Outer Lens Color	Clear
Housing Material	Die-Cast Aluminum
Housing Color	Black
Mounting Type	Universal Mount
Minimum Operating Temperature	-40 (°C) / -40 (°F)
Maximum Operating Temperature	65 (°C) / 149 (°F)
Connector or Wiring	12" Bare Leads
Product Weight	0.37 (lbs) / 0.17 (kgs)
Spec Sheet Printed	2016-07-07

PRODUCT DIMENSIONS



ELECTRICAL SPECIFICATIONS

Input Voltage	12-24 V DC
Red Wire	Positive
Black Wire	Negative
Current Draw	0.4A @ 12V DC 0.21A @ 24V DC

REGULATORY STANDARDS COMPLIANCE



Buy America Standards
IEC IP67

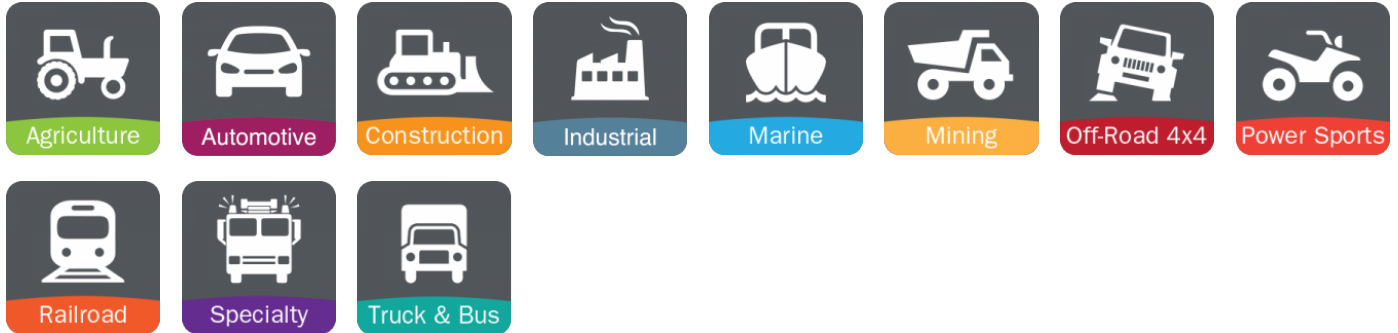
Eco Friendly
SAE J575

PHOTOMETRIC SPECIFICATIONS

Nominal LED Color Temperature 5000 (K)

Beam Pattern(s) Interior - Compartment Light

APPLICATIONS



RELATED PRODUCTS



[Part Number 0442501](#)

**12-24V LED Engine
Compartment Light with
Mounting Bracket**