

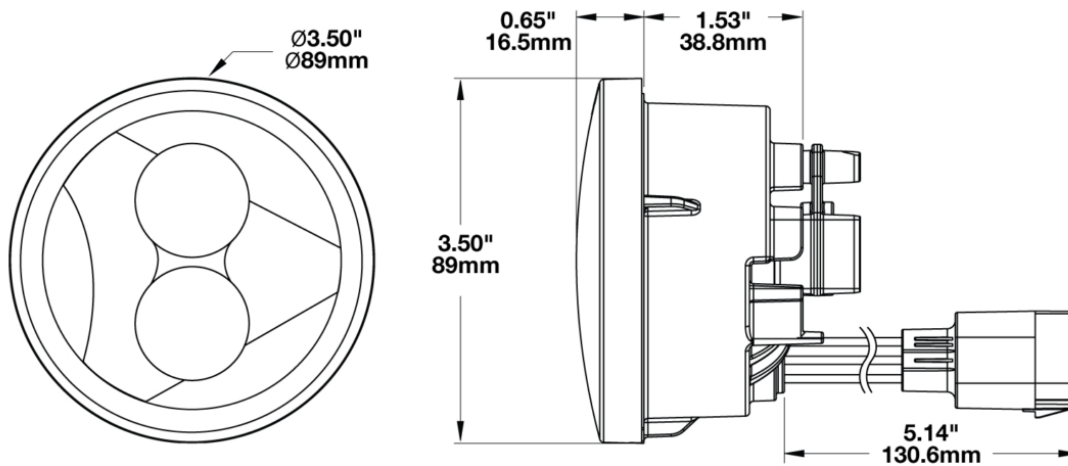
LED Jeep Turn Signals - Model 239 J2 Series

PRODUCT INFORMATION

Description	12V DOT/ECE LED Round Turn Signals with Smoked Lens - 2 Light Kit
Height	89.00 mm / 3.5 in
Width	89.00 mm / 3.5 in
Depth	56.00 mm / 2.2 in
Shape	Round
Outer Lens Material	Acrylic
Outer Lens Color	Smoked
Housing Material	Aluminum
Housing Color	Black
Mounting Hardware Description	(x1) JK Mounting Bracket w/ SS bolt
Retrofits	Factory Jeep JK Front Turn Signals
Minimum Operating Temperature	-40 °C / -40 °F
Maximum Operating Temperature	60 °C / 140 °F
Connector or Wiring	Leads with Connector
Mating Connector	Delphi 13590270
Shipping Weight	1.36 lbs / 0.62 kgs



PRODUCT DIMENSIONS



LED Jeep Turn Signals - Model 239 J2 Series

ELECTRICAL SPECIFICATIONS

Input Voltage	12V DC
Operating Voltage	9-16V DC
Current Draw	0.12A @ 12V DC (Front Position) 2.10A @ 12V DC (Turn)

REGULATORY STANDARDS COMPLIANCE



Buy America Standards	ECE Reg 6
Eco Friendly	FMVSS 108 Table VI
IEC IP67	SAE J588

PHOTOMETRIC SPECIFICATIONS

Beam Pattern(s)	Signalization - Front Position Signalization - Turn (Front)
------------------------	--

APPLICATIONS



LED Jeep Turn Signals - Model 239 J2 Series

RELATED PRODUCTS



Part Number

0346483

12V DOT/ECE LED
Round Turn Signals
with Amber Lens - 2
Light Kit



Part Number

0346493

12V DOT/ECE LED
Round Turn Signals
with Clear Lens - 2
Light Kit