

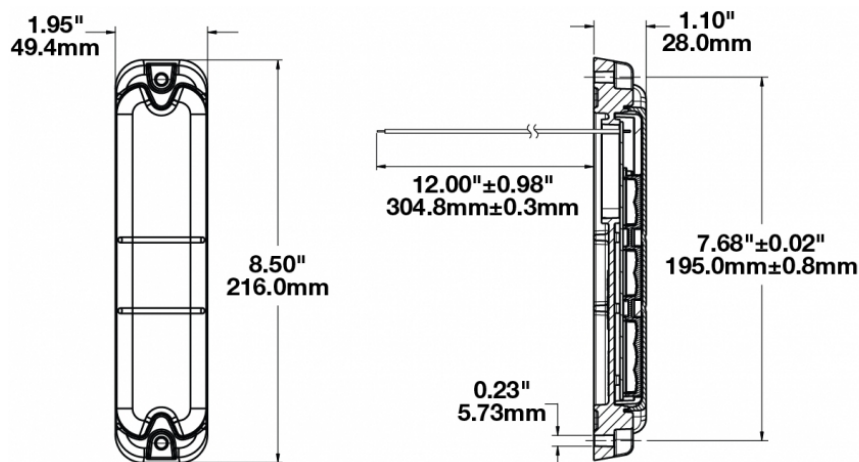
LED Stop, Tail, Turn & Backup Light - Model 281

PRODUCT INFORMATION

Description	12V LED Stop, Tail, Turn Signal & Backup Light without Flasher
Height	215.90 mm / 8.5 in
Width	49.53 mm / 1.95 in
Depth	27.94 mm / 1.1 in
Shape	Rectangular
Outer Lens Material	Polycarbonate
Outer Lens Color	Clear
Housing Material	ABS
Housing Color	Black
Mounting Type	Low Profile Mount
Minimum Operating Temperature	-40 °C / -40 °F
Maximum Operating Temperature	65 °C / 149 °F
Connector or Wiring	12" Bare Leads
Product Weight	0.65 lbs / 0.29 kgs
Shipping Weight	0.90 lbs / 0.41 kgs



PRODUCT DIMENSIONS



LED Stop, Tail, Turn & Backup Light - Model 281

ELECTRICAL SPECIFICATIONS

Input Voltage	12V DC
White Wire	Backup
Yellow Wire	Turn
Red Wire	Brake
White/Red Wire	Tail
Black Wire	Ground
Current Draw	0.4A @ 12V DC

REGULATORY STANDARDS COMPLIANCE



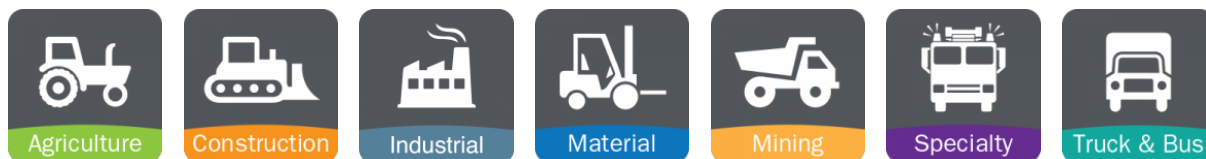
Buy America Standards
IEC IP67

Eco Friendly
UL Recognized

PHOTOMETRIC SPECIFICATIONS

Beam Pattern(s)	Signalization - Stop Signalization - Tail Signalization - Turn (Front) Signalization - Turn (Rear)
------------------------	---

APPLICATIONS



LED Stop, Tail, Turn & Backup Light - Model 281

RELATED PRODUCTS



Part Number
0338091

24-36V LED Stop, Tail,
Turn Signal & Backup
Light without Flasher



Part Number
0339011

48V LED Stop, Tail,
Turn Signal & Backup
Light without Flasher



Part Number
0339021

48V LED Stop, Tail,
Turn Signal & Backup
Light Kit (2 Lights with
2 Amp Flasher)