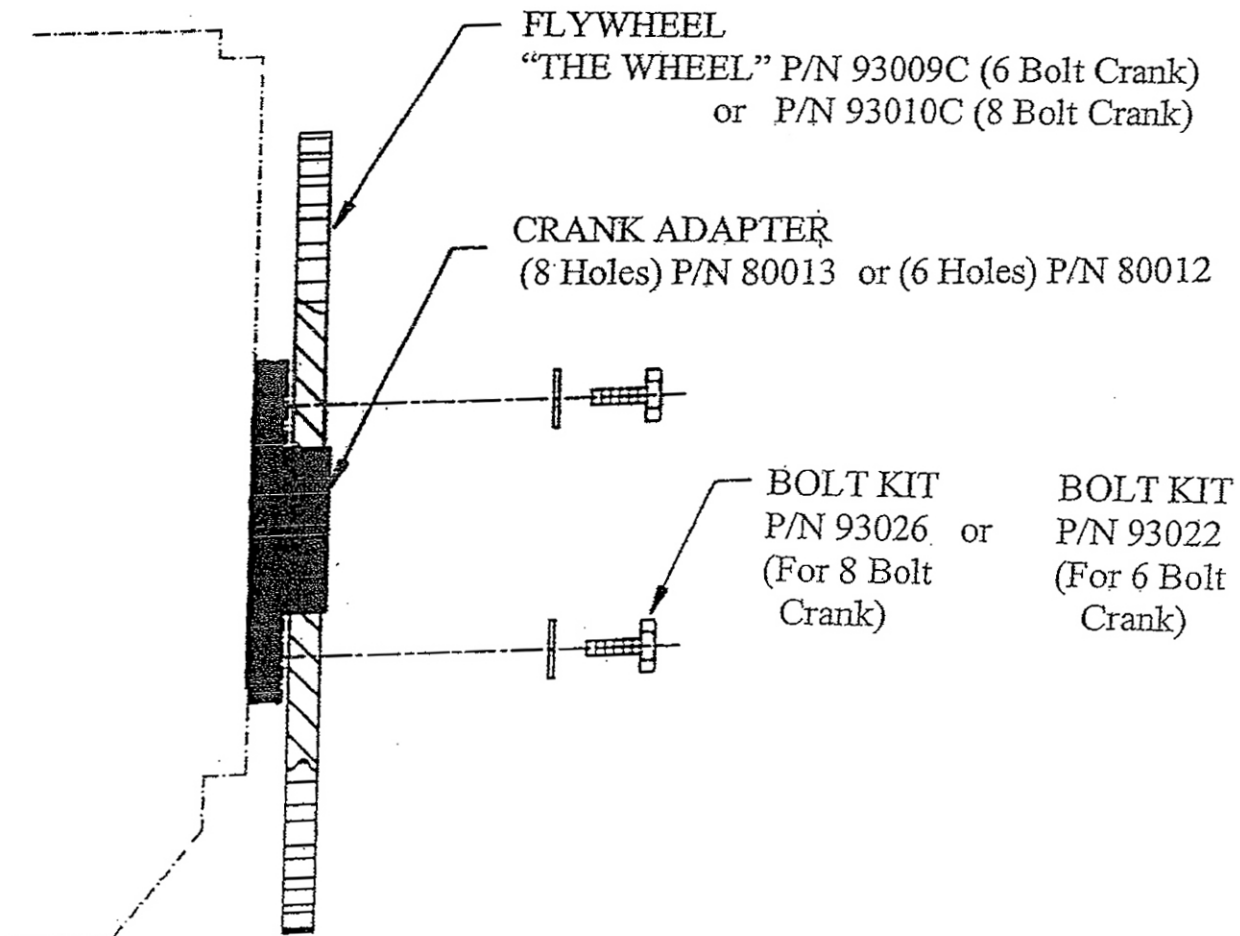


CHRYSLER BIG BLOCK TO "ULTRA-BELL" BELLHOUSING FOR PG (P/N 92456) AND TH350 & TH400 (P/N 92456-A)

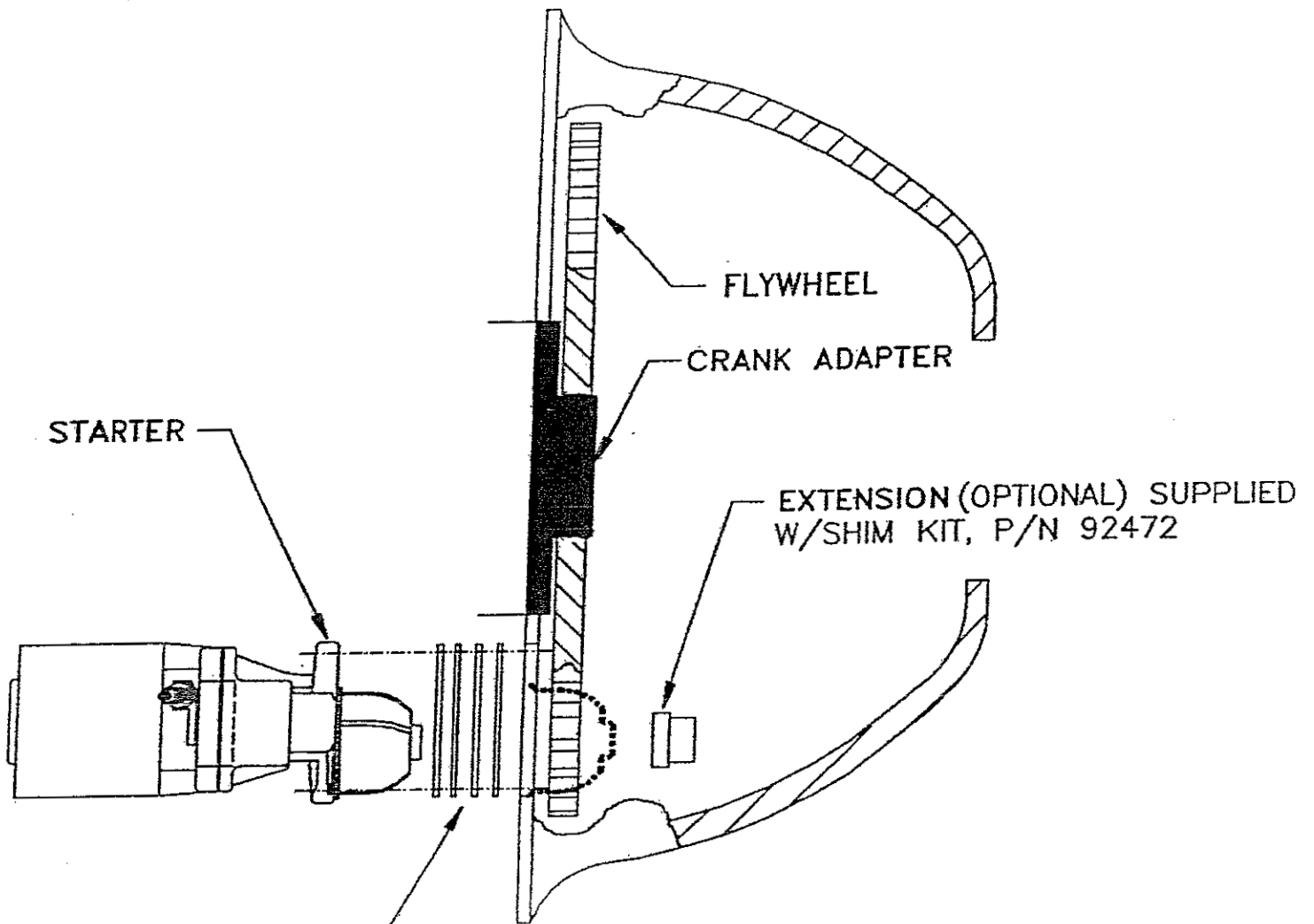
STARTER INSTALLATION WITH "THE WHEEL" & ULTRA-BELL CHRYSLER BB TO GM FLYWHEEL (P/N 93009C or 93010C)

PREPARATIONS: Install "The Wheel" and crank adapter as illustrated. The adapter goes on the crank first. "The Wheel" goes on last. The holes are "keyed" such that the adapter and "The Wheel" can only be installed one way. Use the bolt kit included to attach to the crank, torque to specs using crisscross pattern.

Assemble the transmission with the Ultra-Bell to the motor. Assemble the starter as indicated in the illustration on page 2. **NOTE: IF SPACERS ARE USED, CHECK TO SEE THAT STARTER "BENDIX" CLEARS THE RING GEAR.**



P/N 92456 and P/N 92456-A
BIG BLOCK BELLHOUSING



SHIMS
CHRYSLER STARTER
SPACER/SHIM KIT
P/N 92472

ASSEMBLE ULTRA-BELL TO ENGINE
FOR 92456 & 92456-A USE
BOLT KIT P/N 92471

P/N 92456 and P/N 92456-A
PREPARATION & ASSEMBLY

This system will accommodate 11" and smaller General Motors torque converters with a 10 3/4" bolt circle ONLY (TH350/PG). The 11 1/2" (TH400) bolt circles will not work. (The converter mounting ears will extend over the ring gear on the flywheel.)

Prepare the transmission as suggested in Figure 1.

To prepare the transmission for the Ultra-Bell assembly by using the "Sawsall" method, the transmission should be inverted as shown. Remove the bellhousing —leaving enough material to finish with a die grinder. The Ultra-Bell should only contact the front pump mounting surface. Make sure it does not touch the case or it **WILL CAUSE SEVERE DAMAGE!**

NOTE: It is not necessary to remove the pump during this operation. **DO NOT ALLOW** metal shaving to enter the transmission; **COVER ALL OPENINGS**. **DO NOT** cut below the top of the pump rail. **DO NOT CUT INTO THE PAN.**

(Note: This operation also may be done using a milling machine.)

The finished dimension taken from the rear housing surface is:

PG	9 13/16"	
TH350	15 1/8"	TH 400 17 5/8"

CAUTION: DIMENSIONS MAY VARY WITH YOUR TRANSMISSION CASE.

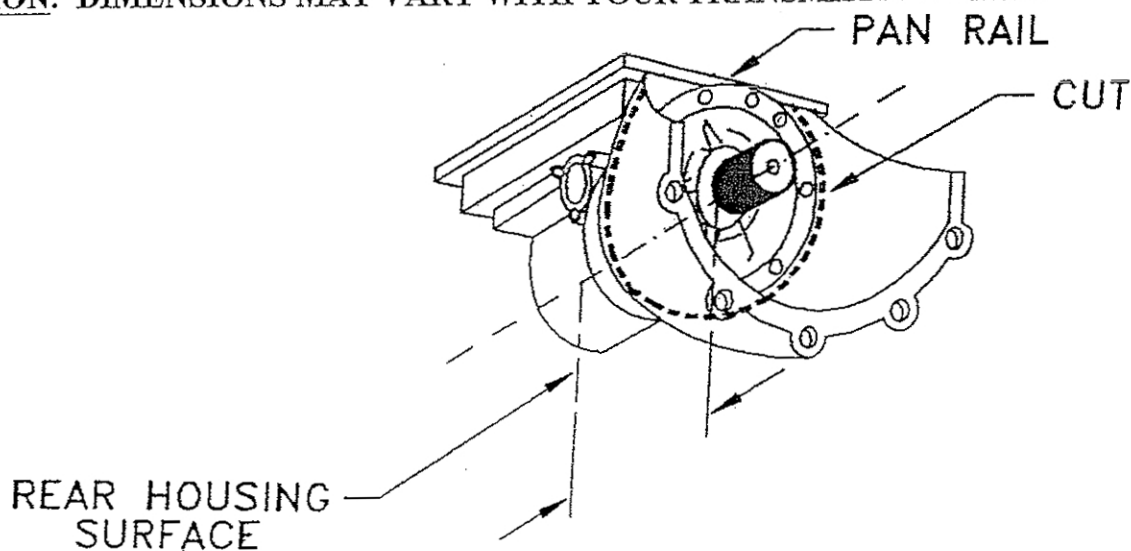


Figure 1

P/N 92456 and P/N 92456-A

Prepare the transmission case and attach the Bellhousing as indicated in Figure 2.

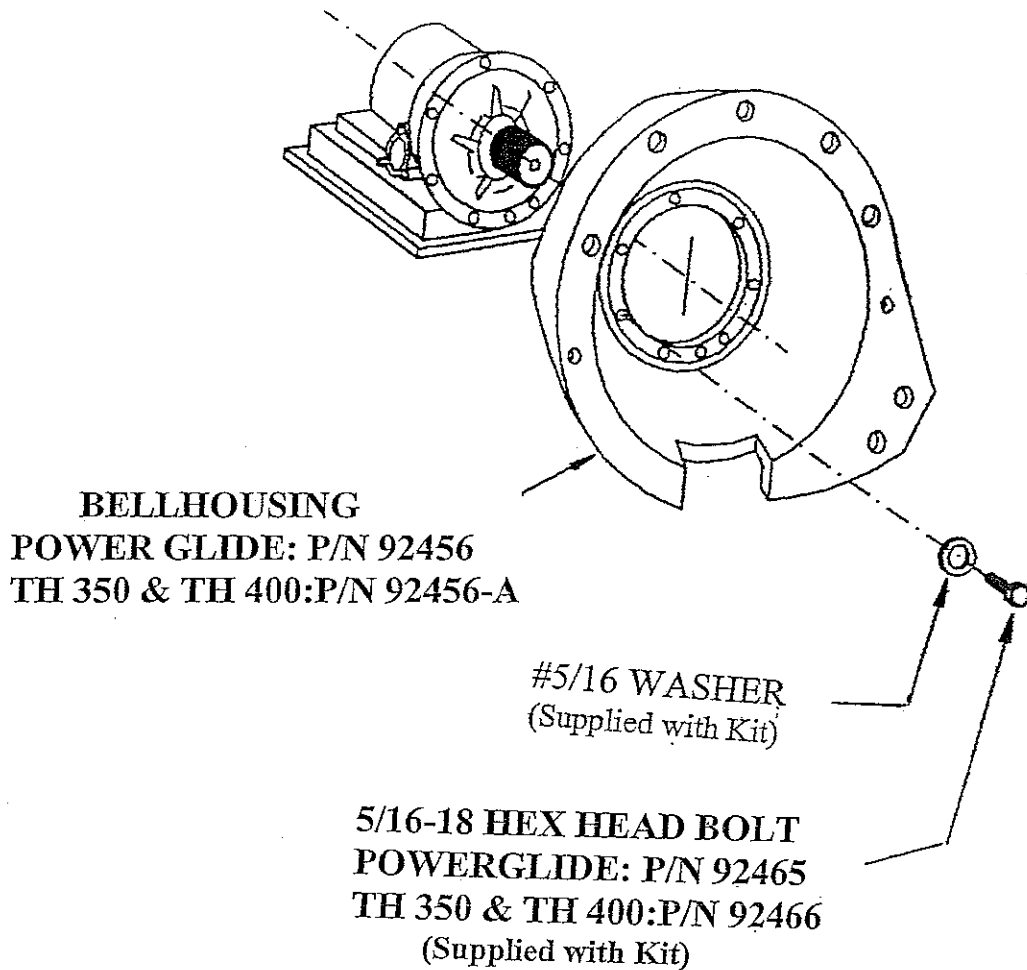


FIGURE 2

Use Bolt Kit P/N 92456-K for assembly.

NOTE: Install the Ultra-Bell using bolts and washers provided. A small amount of sealant should be applied to the washer. Apply "Loctite" (Red) to threads of screws and torque to 20 ft. lbs.

92450 - 7 O-RINGS

92451/2 - 8 O-RINGS

PLACE O-RINGS IN MACHINED
POCKETS ON TRANSMISSION
SIDE OF BELL HOUSING AS
SHOWN. HOLD O-RINGS IN
PLACE WITH A DAB OF
TRANS-GEL. BOLT BELL
HOUSING TO CASE AS PER
INSTRUCTIONS.

