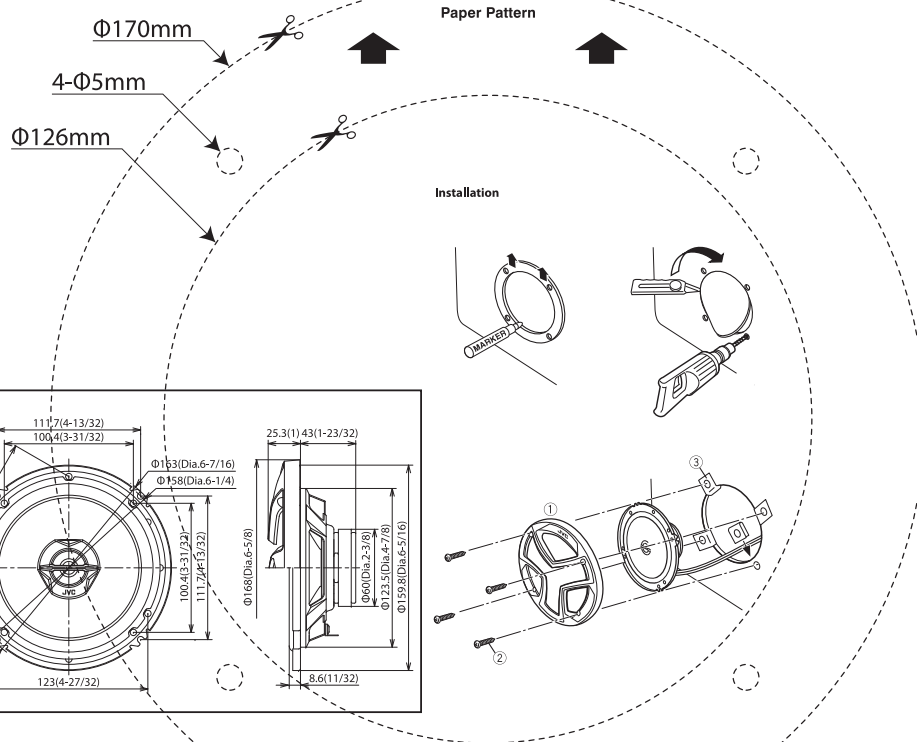
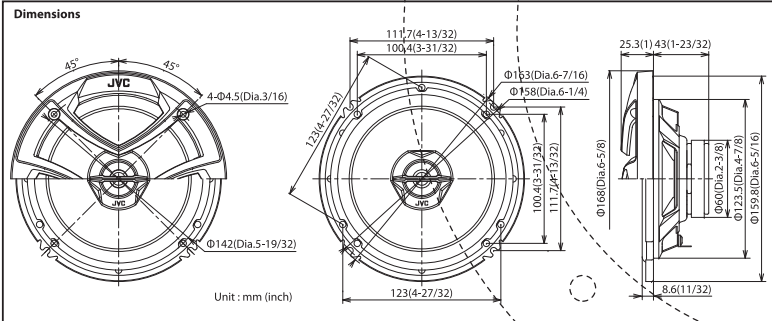


# CS-J620

CAR STEREO SPEAKER



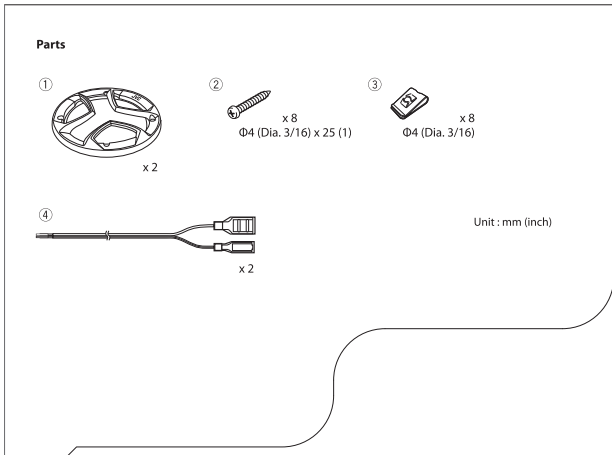
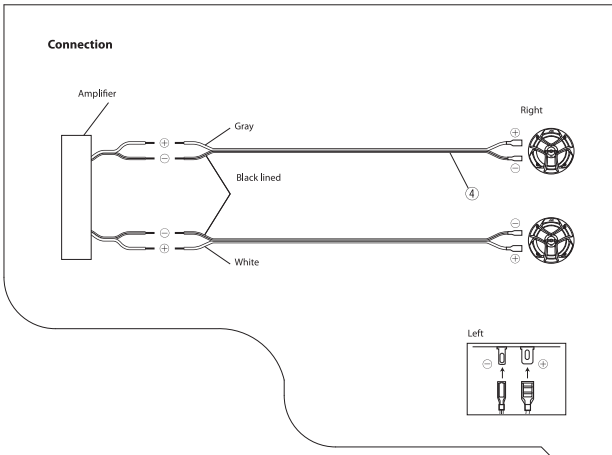
**INSTRUCTIONS**  
 Δ Do not use the provided parts for other purposes  
 (Ex. using a speaker cord instead of a power cord).  
 Otherwise malfunction or fire hazard could result.



1

JVC KENWOOD Corporation  
 Yokohama 221-0022

**Specifications**  
 Type : 16 cm (6-1/2") 2-Way Coaxial Speaker  
 Power Handling Capacity :  
 300 W (Peak Power) ; 30 W (RMS)  
 Impedance : 4 Ω  
 Mass : 0.40 kg (0.89 lbs)



Unit : mm (inch)