

# HD COMPUTER MOUNT - NO HOLES

CHEVY TAHOE 2021+, SILVERADO T1 1500 '19+, SILVERADO 2500 2020+

425-5693/4138

## Specification Sheet

### A-MOD Desktop

Rotates 360° with ergonomic platform tilt. "One Hand" operation for removing and securing computer. Height and width adjustments allow for securing the majority of laptop computers. XL model available for larger laptops (450-4139).

### Tilt/Swivel Plate

Rotates 90° at stand axis. Rotates 75° at desktop axis. Plate tilts 25°.

### Heavy Duty Stand Assembly

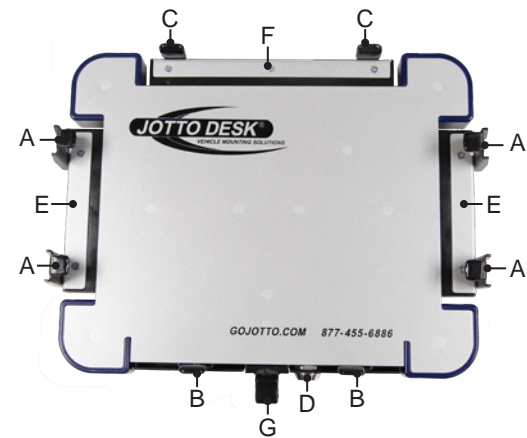
Extends desktop height. Travels inside of stand.

### Ratchet Handle

Secures swing arm positioning and allows rotation.

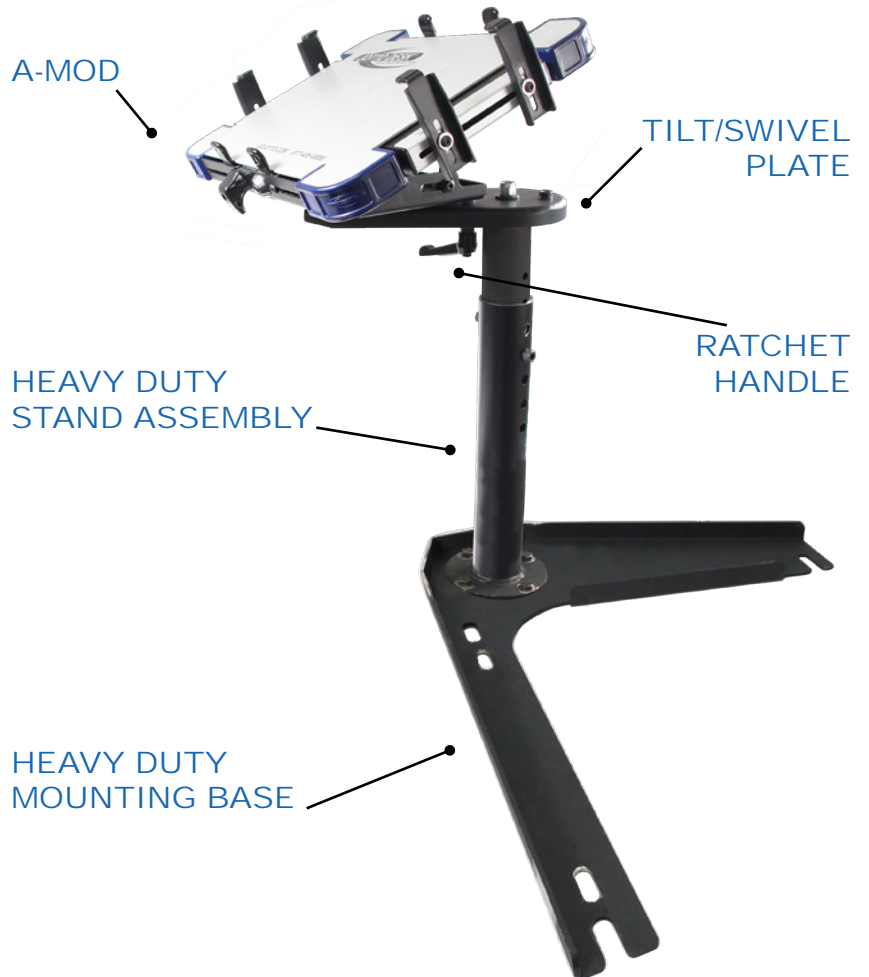
### Heavy Duty Mounting Base

7 gauge steel, one-piece base design increases overall sturdiness.



### 450-4138 A-MOD DESKTOP

- A. Side Clamps, Standard or Tall (Case Hardened Steel)
- B. Front Tabs (Case Hardened Steel)
- C. Rear Tabs and Offset Rear Tabs (Case Hardened Steel)
- D. Tubular Lock - Solid Brass/High Security
- E. Side Trays
- F. Rear Tray
- G. Latch Release Handle



## DETAILED INFORMATION

<b>A-MOD Desktop</b> .....	13.5" W x 10.75" D x 1" H
<b>HD Arm</b> .....	4.25" w x 0.75" thick x 9" long; black anodized
<b>Telescoping Rod</b> .....	1.75" x 6" steel with swing arm
<b>Stand</b> .....	2" x 15" .218 thickness, black; round stock
<b>Base Mount</b> .....	7 gauge steel, one-piece base

## HOW TO ORDER

<b>HD Computer Mount with A-MOD</b> .....	425-5693/4138
CHEVY Tahoe 2021+, Silverado T1 1500 '19+, Silverado 2500 2020+	
<b>HD Computer Mount with A-MOD XL</b> .....	425-5693/4139
CHEVY Tahoe 2021+, Silverado T1 1500 '19+, Silverado 2500 2020+	
<b>HD Base</b> .....	425-5694
CHEVY Tahoe 2021+, Silverado T1 1500 '19+, Silverado 2500 2020+	

