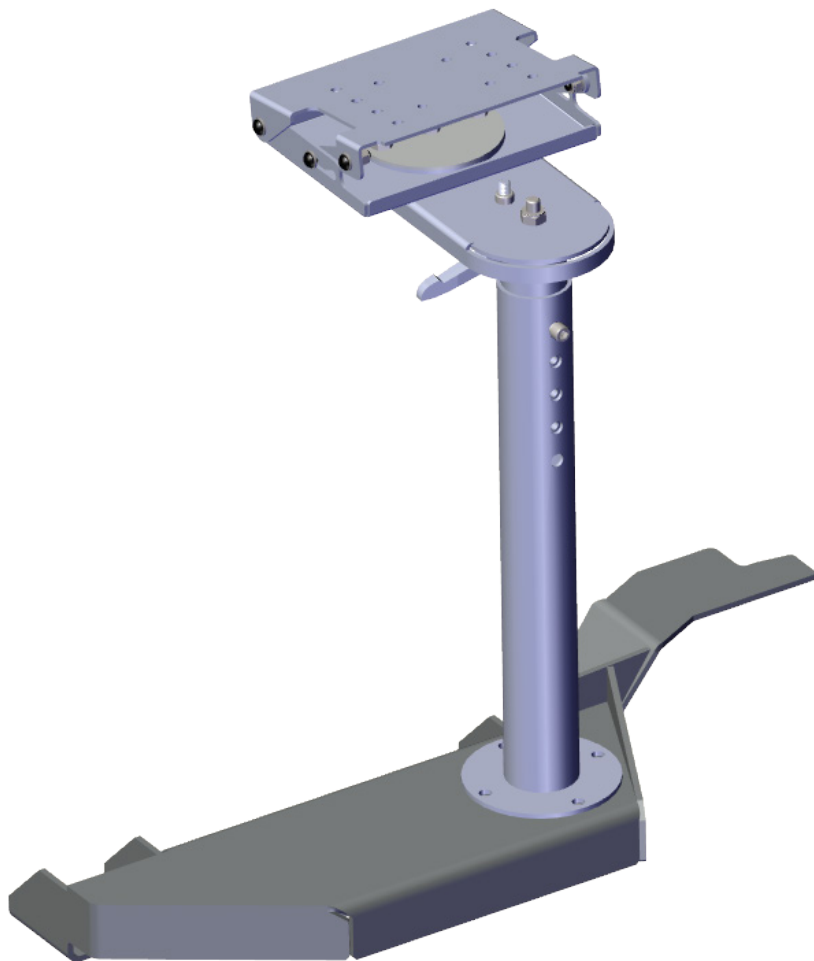




HD NO HOLES MOUNT
2017+ F-250-550

425-5669





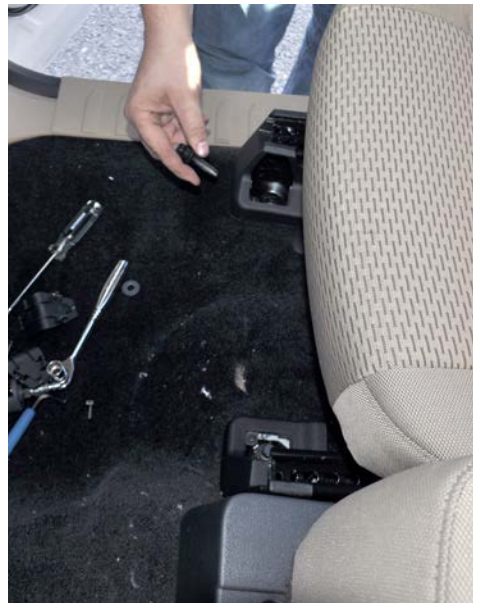
Tilt the center seat up exposing the hidden storage compartment area. Remove the two OEM screws with a T-20 bit.



Lift up the plastic cover to expose the two front OEM bolts. Loosen with an 18mm socket to free the metal plate holding the middle seat to the floor.



Remove the front and rear trim bolt covers using a small flat head screw driver.



Remove the front and rear OEM seat bolts with a 13mm socket.



Tilt the seat back to remove the (6) OEM screws located at these locations on the passenger seat. Remove the trim covers with a T-20 bit. Two screws at the front left mounting foot, two at the front right mounting foot, and two screws at the right rear mounting foot.



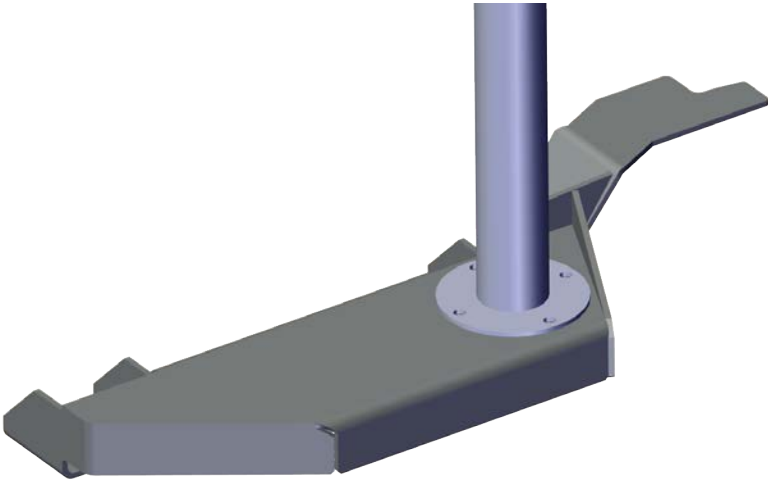
Place the base under the two front seat bolt locations making sure to slide the tab of the HD base is under the mounting plate previous loosened with a 18mm socket on the middle seat bracket.

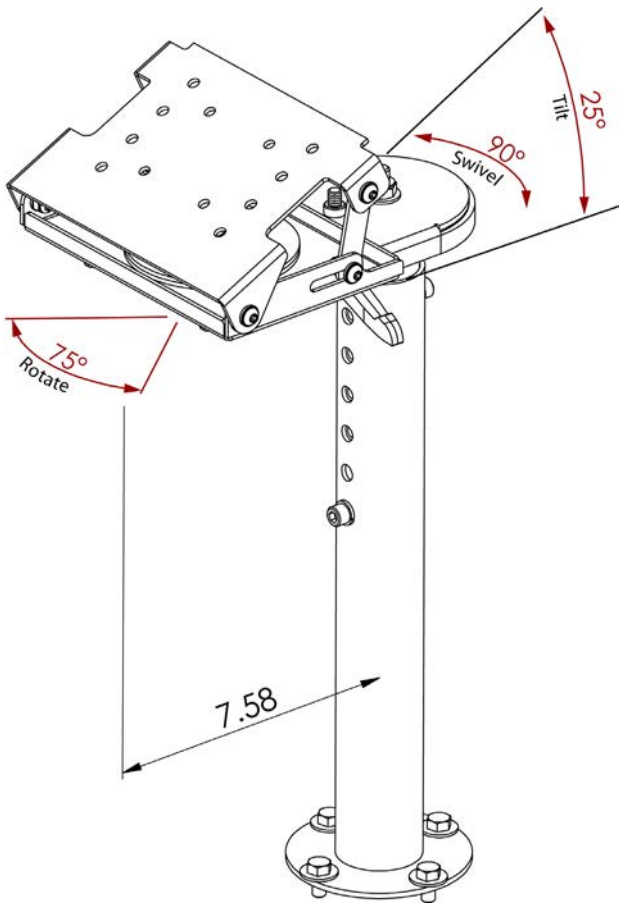


Replace all the seat bolts and tighten with a 13mm socket and tighten the center seat bracket with a 18mm socket. Slide the plastic cover back over the center seat bracket and tighten the two screws with a T-20 bit. Factory OEM seat trim will not be reinstalled.



Use a 1/2" socket to secure the upright stand assembly to the base with the provided (4) 5/16-18 bolts and washers. Note: The height adjustment bolts should be positioned bumper to bumper when properly installed.





Adjust the height of the tube assembly as needed by removing the (2) 5/16-18 socket head cap screws with the provided 1/4" hex key. Re-tighten once desired height is reached.

Open the tilt mechanism fully to allow the attachment of your docking station and/or desktop. Once the desktop is secured to the tilt plate, you can adjust to find the optimal angle. Set the tilt angle by tightening (6) 1/4-20 socket head button screws with a 5/32 hex key and a 7/16 wrench. Rotate the arm, tighten the ratchet handle to lock the unit in place.

The horizontal arm can rotate 90° once the ratchet handle has been loosened. This will allow the driver to choose the best placement of the computer. Once desired position has been reached, retighten ratchet handle.

The desktop/computer can be rotated 75° without the need to loosen/tighten anything. The design utilizes friction discs to make final adjustments easier.

A-MOD DESKTOP



A Jotto Desk Laptop Mount featuring the A-MOD Desktop is the ultimate desktop solution to secure a laptop computer in a mobile environment. The fully adjustable A-MOD Desktop features a lightweight, yet rugged lockable design with superior ergonomics.



A-MOD DESKTOP

- A. Side Clamps, Standard or Tall (Case Hardened Steel)*
- B. Front Tabs (Case Hardened Steel)*
- C. Rear Tabs and Offset Rear Tabs (Case Hardened Steel)*
- D. Tubular Lock - Solid Brass/High Security*
- E. Side Trays*
- F. Rear Tray*
- G. Latch Release Handle*

ORDERING INFORMATION

450-4138 A-MOD Desktop, Adjustment Range Dimensions:

Width: 11.25" to 13.625"

Depth: 9.25" to 11" (with extensions)

Clamp Height (Tall Clamp): 1" to 2.25"

Weight: 4.65 lbs.

450-4139 A-MOD XL Desktop, Adjustment Range Dimensions:

Width: 13.5" to 16"

Depth: 9.25" to 11" (with extensions)

Clamp Height (Standard Clamp): 0.625" to 1.25"

Weight: 5.1 lbs.

REPLACEMENT COMPONENTS



A-MOD Desktop
450-4138 Regular
450-4139 XL



HD Base, F-250-550
425-5670



HD Stand Assembly
425-5611



CF31 Intelligent Docking Station
450-4103 Dual Wireless Pass
450-4102 Wireless Pass
450-4101 Standard



CF53 Intelligent Docking Station
450-4111

JOTTO DESK ACCESSORIES



USB Light
425-2082 (A-MOD)
425-2490 (Docking Station)

12" flexible wand with blue LED's and rheostat to adjust brightness. Three foot power cords into cigarette lighter



Screen Support
425-5999 (Docking Station)

The Screen Support is designed to keep your screen in place while you use your computer. It attaches directly to the desk and adjust in height and tilt angle.