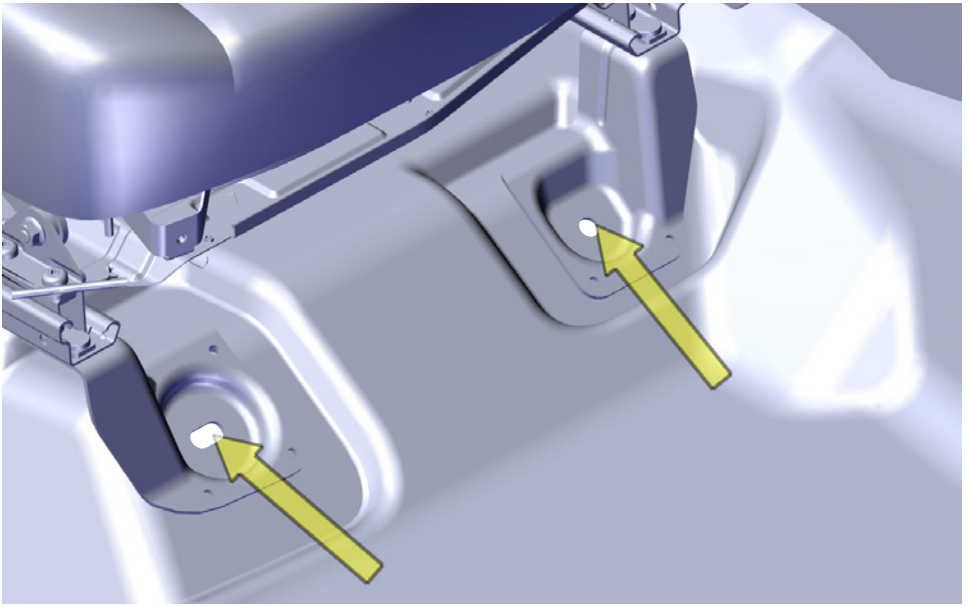




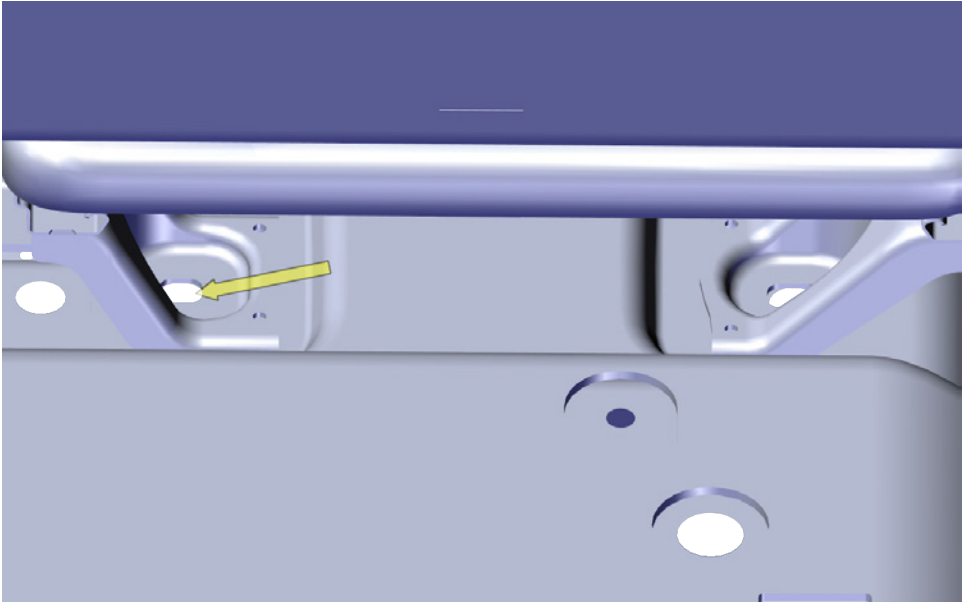
HD NO HOLES MOUNT
'15-'16 F-250+

425-5649

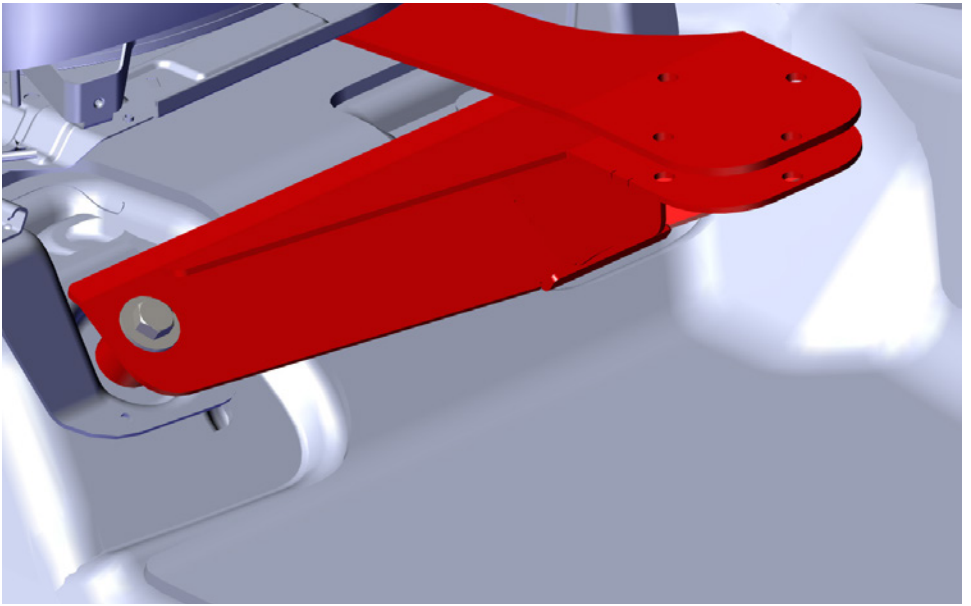




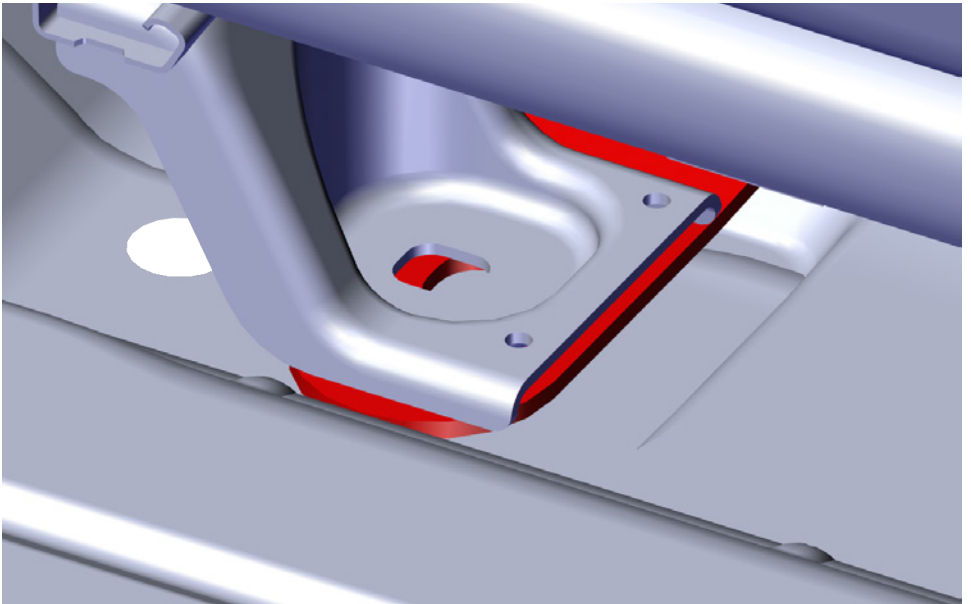
Remove the FRONT round seat bolt covers using a small flat head screwdriver to access the front bolts. Remove the OEM bolts using a 13/16 socket.



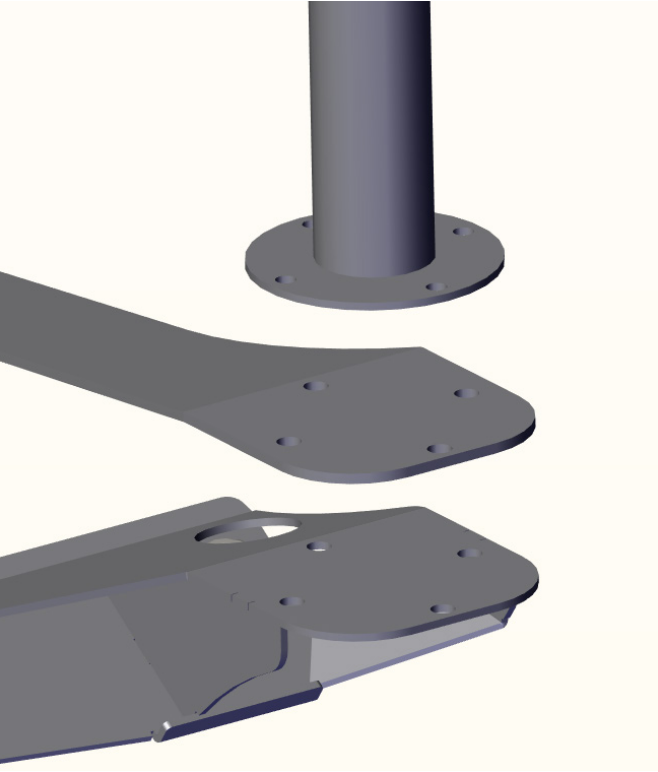
Remove REAR round seat bolt cover located closest to the transmission hump. Remove the OEM bolt using a 13/16 socket.



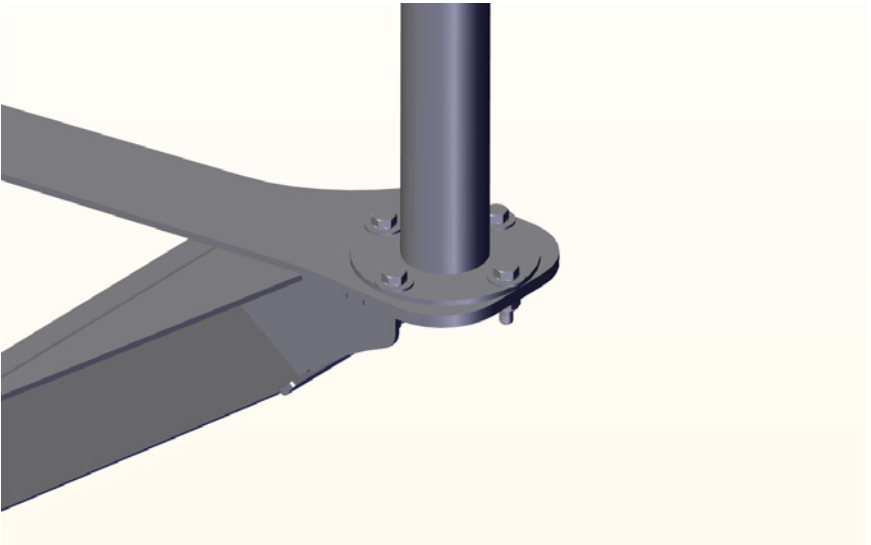
Place the HD base above the seat feet, replace the factory bolts with the provided M12 x 1.75 bolts and washers to hold the base in place.

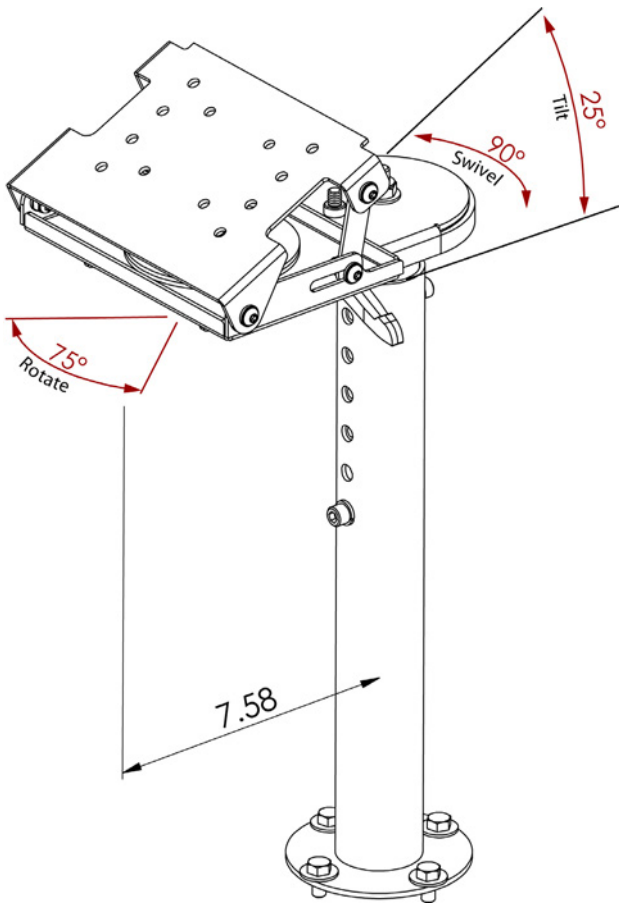


Attach the rear stabilizer bracket to the rear inside bolt location, snug to hold.



Use a 1/2" socket to secure the upright stand assembly to the base with the provided (4) 5/16-18 bolts and washers. Note: The height adjustment bolts should be positioned bumper to bumper when properly installed.





Adjust the height of the tube assembly as needed by removing the (2) 5/16-18 socket head cap screws with the provided 1/4" hex key. Re-tighten once desired height is reached.

Open the tilt mechanism fully to allow the attachment of your docking station and/or desktop. Once the desktop is secured to the tilt plate, you can adjust to find the optimal angle. Set the tilt angle by tightening (6) 1/4-20 socket head button screws with a 5/32 hex key and a 7/16 wrench. Rotate the arm, tighten the ratchet handle to lock the unit in place.

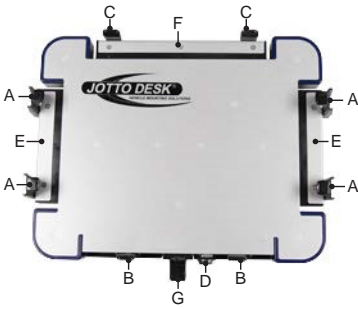
The horizontal arm can rotate 90° once the ratchet handle has been loosened. This will allow the driver to choose the best placement of the computer. Once desired position has been reached, retighten ratchet handle.

The desktop/computer can be rotated 75° without the need to loosen/tighten anything. The design utilizes friction discs to make final adjustments easier.

A-MOD DESKTOP



A Jotto Desk Laptop Mount featuring the A-MOD Desktop is the ultimate desktop solution to secure a laptop computer in a mobile environment. The fully adjustable A-MOD Desktop features a lightweight, yet rugged lockable design with superior ergonomics.



A-MOD DESKTOP

- A. Side Clamps, Standard or Tall (Case Hardened Steel)
- B. Front Tabs (Case Hardened Steel)
- C. Rear Tabs and Offset Rear Tabs (Case Hardened Steel)
- D. Tubular Lock - Solid Brass/High Security
- E. Side Trays
- F. Rear Tray
- G. Latch Release Handle

ORDERING INFORMATION

450-4138 A-MOD Desktop, Adjustment Range Dimensions:

Width: 11.25" to 13.625"

Depth: 9.25" to 11" (with extensions)

Clamp Height (Tall Clamp): 1" to 2.25"

Weight: 4.65 lbs.

450-4139 A-MOD XL Desktop, Adjustment Range Dimensions:

Width: 13.5" to 16"

Depth: 9.25" to 11" (with extensions)

Clamp Height (Standard Clamp): 0.625" to 1.25"

Weight: 5.1 lbs.

REPLACEMENT COMPONENTS



A-MOD Desktop
450-4138 Regular
450-4139 XL



HD Base, F-250+
425-3763



HD Stand Assembly
425-5611



CF31 Intelligent Docking Station
450-4103 Dual Wireless Pass
450-4102 Wireless Pass
450-4101 Standard



CF53 Intelligent Docking Station
450-4111

JOTTO DESK ACCESSORIES



USB Light
425-2082 (A-MOD)
425-2490 (Docking Station)

12" flexible wand with blue LED's and rheostat to adjust brightness. Three foot power cords into cigarette lighter



Screen Support
425-5999 (Docking Station)

The Screen Support is designed to keep your screen in place while you use your computer. It attaches directly to the desk and adjust in height and tilt angle.