

JOTTO DESK®

UNIVERSAL FLOOR MOUNT

Computer Mount - Floor

425-5213/5215

1 - ABS Cable-Dock Desktop & Auxiliary Desktop

Desktops rotate 360° with ergonomic platform tilt.

1a - The Cable-Dock desktop uses two (2) nylon coated steel cables to secure notebook computer to desk. "One Hand" operation for removing and securing computer. Six (6) foam pads lift the computer off of the desktop providing shock absorbtion and air flow under the computer.

1b - 7" x 10" Auxiliary Desktop, perfect for note taking.

2 - Swing Arms

Rotates 360° around stand and extends 13 3/8". Ratchet Handles secure swing arm in position at elbow and stand.

2a - The Articulated Swing Arm extends 13 3/8".

2b - The Straight Swing Arm extends 9".

3 - Telescoping Rod and Stand Assembly

Extends desktop height, travels inside of stand.

4 - Ratchet Handles

Secures swing arm positioning and allows for 360° swing arm rotation.

5 - Hex Head Cap Screws and Lock Washers

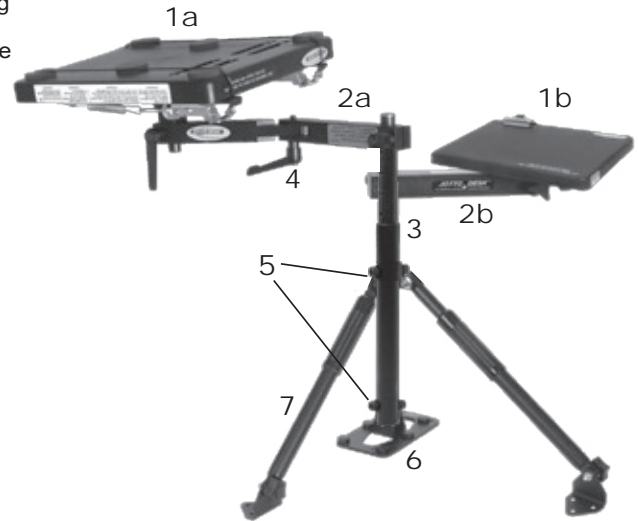
Secures rod in stand at desired height and stand to base

6 - Heavy Duty Mounting Base

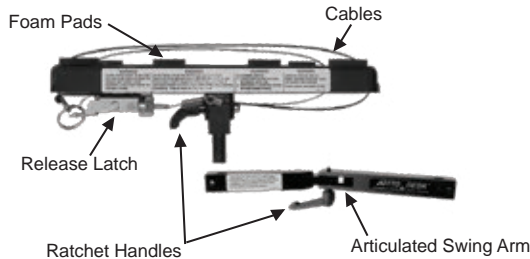
3/16" gauge steel 7/8" stud, 6" square base; Mounts on flat surfaces only.

7 - Telescoping Tripod Support

Two Brace Kits attached to the stand provide additional support. Both braces can be mounted to varying flat, vertical or angled surfaces.



WHY THE CABLE-DOCK® DESKTOP?



The Cable-Dock is a patented, truly innovative and proven method for effectively securing a laptop computer for mobile professionals. We believe the Cable-Dock is the best way to secure a laptop because:

- ...we provide shock absorbing pads while others don't.*
- ...we allow air to circulate underneath the laptops while others don't.*
- ...we embrace and conform to the whole body of the laptop rather than just contain the edges and sides as others do. Why? All laptops are not equal in shape.*
- ...we have built-in back-up for keeping the laptop secure in case cable latch release is accidentally opened while others don't.*
- ...we mount all sizes of laptops while others can't.*
- ...we are lightweight at 3.4 lbs with two adjustments for set-up while others weigh 9-10 lbs with 7-10 adjustments.*

DETAILED INFORMATION

ABS Cable-Dock® Desktop:

10" x 12" x 1" ABS plastic desktop with 1/4" thick wall; 22" Cables, 6" square 11 gauge steel mounting plate; 5/8" Aluminum post connector 7" x 10" x 1" ABS plastic desktop (same specs as Cable-Dock Desktop)

ABS Auxiliary Desktop:

Articulated Swing Arm:

1" square x 13 3/8" solid aluminum; black anodized

Straight Swing Arm:

1" 1/4" square x 9" aluminum

Telescoping Rod:

7/8" x 10" steel with 5/8" turned swing arm rest

Stand:

1" x 10" 11 gauge steel, black; round stock

Height Variation:

16.75" to 21.75"

Base Mount:

3/16" gauge master, one-piece base with tapped 7/8" mounting post; Two adjustable (13"-21") Support Braces with 2" 11 gauge Brace Feet

11.67 lbs.

Weight:

HOW TO ORDER

Tripod Mount Complete

(Package includes: Desktop, Articulated Swing Arm, Telescoping Rod, Stand, Brace Kits & Base)

Model No. 425-5213/5215 Universal Tripod w/ Cable-Dock Desktop & Auxiliary Desktop

Base Only

425-1021