

REPLACEMENT COMPONENTS



No Holes Base
425-6668



Vertical Tube Assembly
1 Tube &
1 Telescoping Rod
425-5342



Articulated
Swing Arm
425-1188



F150 Brace Kit



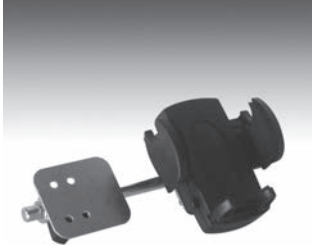
(2) Hex Head
Cap Screws &
(2) Lock Washers
425-3385



Ratchet
Handle
425-1273

JOTTO DESK ACCESSORIES

Specifications subject to change without notice



PIVOTING CELL PHONE HOLDER

Model 425-5299

Allows you to tilt your phone independent of the desktop angle. Mounts to side of 10" x 12" Desktop.



USB LIGHT

Model 425-2490

12" flexible wand with blue LED's and rheostat to adjust brightness. Three foot power cord plugs into cigarette lighter.



KENSINGTON® MASTERLOCK®

Model 425-1317

Computer securing system uses Kensington locking system. Fasten security cable to permanent structure in vehicle.



SCREEN SUPPORT - A-MOD

Model 450-0449

The Screen Support is designed to keep your screen in place while you use your computer. It attaches directly to the A-MOD Desktop and adjusts in height and tilt angle.



SCREEN SUPPORT - ACD

Model 425-5999

The Screen Support is designed to keep your screen in place while you use your computer. It attaches directly to the ACD Desktop and adjusts in height and tilt angle.

'15-'17 FORD F-150 (OEM CONSOLE)
'18+ FORD F-150 (ALL CONFIGURATIONS)

Computer Mount - No Holes

425-5046

JOTTO DESK®



PLEASE CHECK ALL BOX FLAPS AND INSERTS FOR PARTS STORED UNDERNEATH BEFORE DISCARDING BOX. THANK YOU.

WARNING: Do not install or use this product in any manner which would interfere with any of the vehicles controls, air bags or safety devices. Follow vehicle owner's manual instructions should a dash warning light come on after installation of this desk. Do not install or use this product in any manner which causes a safety hazard for vehicle and/or occupants.

To avoid serious injury do not place this desk or any objects between the air bags and yourself or any passengers. If necessary remove the desk before driving. Store in trunk or other safe place.

We recommend that you do not work on the Jotto Desk while driving! Park safely, then use. Remember, driving safely comes first.

WARNING: Make sure of and check on a regular basis that all knobs, fastening devices and handles are tight and secure. Repair or replace any faulty or worn parts. All equipment, such as computers, printers, phones, etc. must be safely secured when vehicle is in motion.

DISCLAIMER: The manufacturer of this product may not be held liable for any accidents, injuries or problems caused by the use or installation of this product.

Specifications subject to change without notice.



INSTALLATION PROCEDURE

READ INSTRUCTIONS BEFORE BEGINNING INSTALLATION

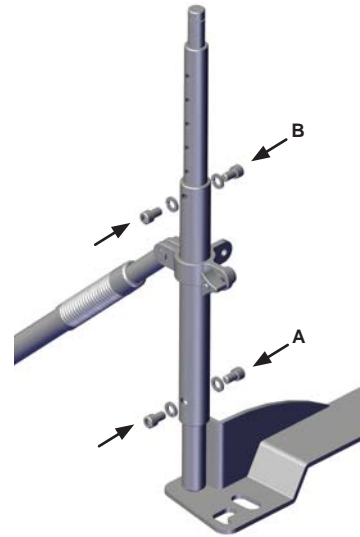


Instructions for Step 6



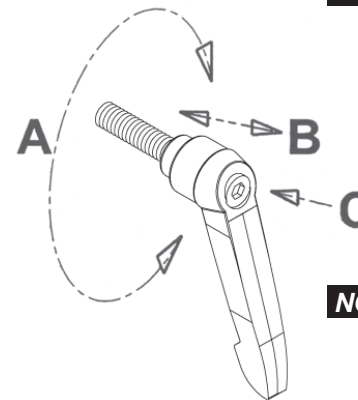
1. Remove the (4) bolts from passenger side seat rails. Tilt seat and towards door to give access to front OEM trim around seat rail closest to transmission hump.
2. Remove (2) T20 screws and clip from OEM trim. Set aside.
3. Reposition seat and place No Holes Mount base under the seat rails with slots in alignment with seat rail holes.
4. Place the (4) bolts back into the original position tighten. Check to make sure there is no movement at post and that mount base is firmly secured.
5. Assemble the desktop stand to the mount base, starting with the vertical tube. Slide the adjustable brace on the tube and use 2 Hex Head Cap Screws and 2 Lock Washers to secure vertical tube to mount post.
6. To attach brace kit, unclip the lower dash trim from the right and pull to the side. Pull back the carpet exposing the lower dash support mounting points. Remove the right OEM bolt with a 3/8 socket and set aside. Attach the bracket with previously removed OEM bolt and pull the carpet back into place. Cut a small circular hole, enough to route the carpet over the bracket, secure brace with the provided 3pt knob.
7. Place articulated swing arm over the 5/8" end of the telescoping rod. Tighten with ratchet handle.
8. Attach desktop to end of articulated swing arm and secure by tightening ratchet handle.

STAND ASSEMBLY OPERATION



1. Remove Hex Head Cap Screws from stand assembly and place tube over the No-Holes Mount Base.
2. Loosen the 3 point knob on the adjustable brace. Slide into position.
3. Thread (2) Hex Head Cap Screws with (2) Lock Washers through tube and into front and rear of No Holes Mount post at bottom of tube. (A)
4. Raise inner rod to desired height. Thread (2) Hex Head Cap Screws with (2) Lock Washers into front and rear holes at top of tube. (B)
5. Use provided Hex Key to tighten (4) Hex Head Cap Screws to ensure secure positioning.

RATCHET CLAMP OPERATION



NOTE: Insert the ratchet handle through the unthreaded side of the articulated swing arm and tighten. Going through threaded side first will not allow the arm to tighten properly

To adjust, pull handle out (B) and rotate counter clockwise (A), release and tighten. If needed, use 1/8" hex head wrench for adjustment (C)

NOTE: Ratchet handles are spring loaded and can be readjusted to tighten.