

HD COMPUTER MOUNT - NO HOLES

FORD F-150 SSV/PR 2021+

425-5043/4138

Specification Sheet

A-MOD Desktop

Rotates 360° with ergonomic platform tilt. "One Hand" operation for removing and securing computer. Height and width adjustments allow for securing the majority of laptop computers. XL model available for larger laptops (450-4139).

Tilt/Swivel Plate

Rotates 90° at stand axis. Rotates 75° at desktop axis. Plate tilts 25°.

Heavy Duty Stand Assembly

Extends desktop height. Travels inside of stand.

Ratchet Handle

Secures swing arm positioning and allows rotation.

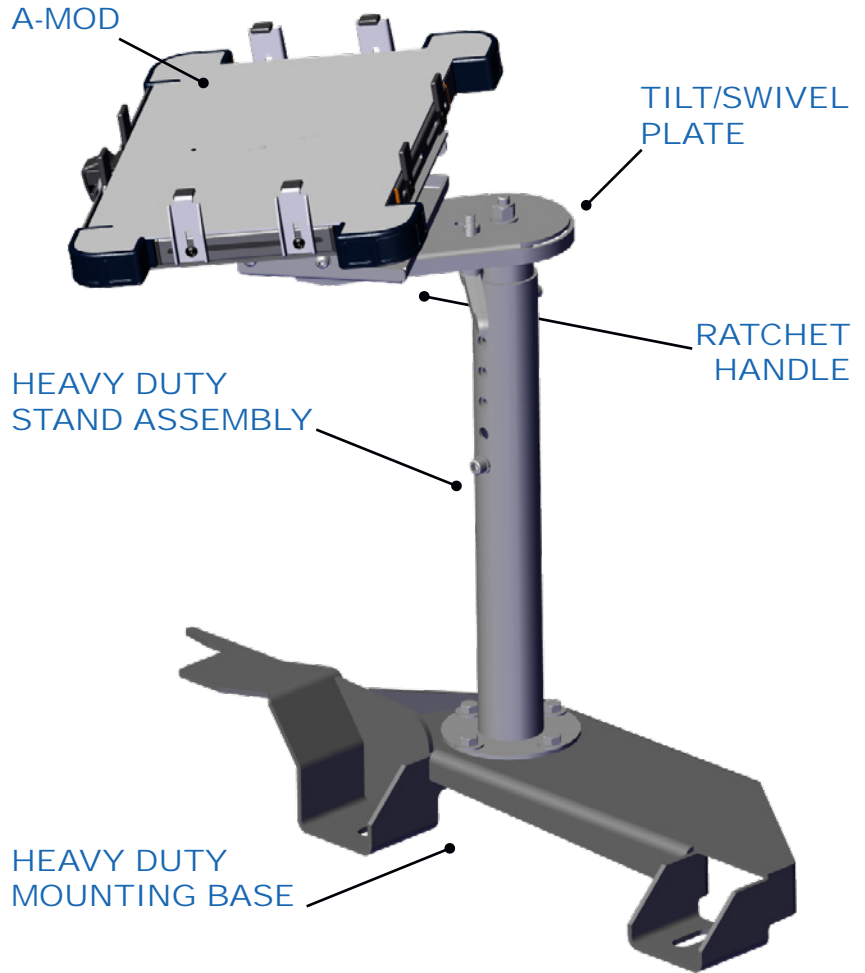
Heavy Duty Mounting Base

7 gauge steel, one-piece base design increases overall sturdiness.



450-4138 A-MOD DESKTOP

- A. Side Clamps, Standard or Tall (Case Hardened Steel)
- B. Front Tabs (Case Hardened Steel)
- C. Rear Tabs and Offset Rear Tabs (Case Hardened Steel)
- D. Tubular Lock - Solid Brass/High Security
- E. Side Trays
- F. Rear Tray
- G. Latch Release Handle



DETAILED INFORMATION

A-MOD Desktop	13.5" W x 10.75" D x 1" H
HD Arm	4.25" w x 0.75" thick x 9" long; black anodized
Telescoping Rod	1.75" x 6" steel with swing arm
Stand	2" x 15" .218 thickness, black; round stock
Base Mount	7 gauge steel, one-piece base

HOW TO ORDER

HD Computer Mount with A-MOD	425-5043/4138
Ford F-150 SSV/PR 2021+	
HD Computer Mount with A-MOD XL	425-5043/4139
Ford F-150 SSV/PR 2021+	
HD Base	425-1248
Ford F-150 SSV/PR 2021+	

