

INSTALLATION INSTRUCTIONS

**Installation recommendation:

JBA recommends in most cases that the vehicle be taken to a reputable [exhaust](#) shop.

40-2501

99-02 Ford Excursion

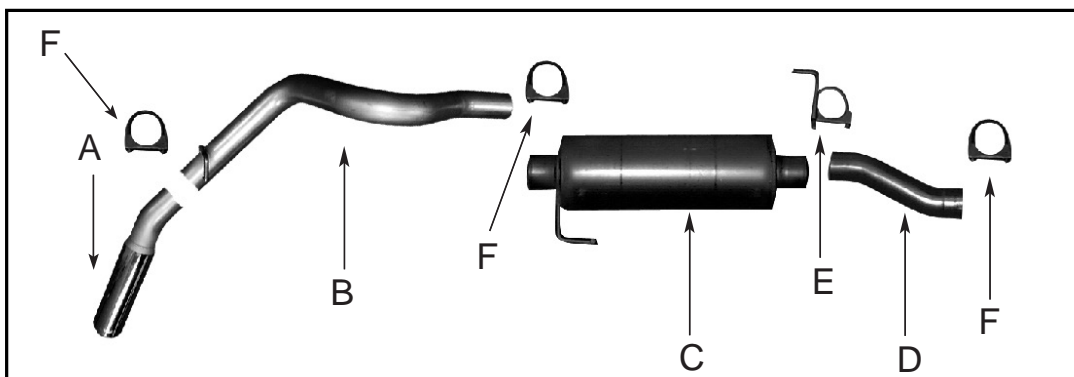
5.4L V8 / 6.8L V-10

TOOLS RECOMMENDED:

ratchet
15mm deep socket
pair of channel lock pliers
rubber mallet
spray lubricant or penetrating oil
anti-seize
prybar

Parts List

A. Turn out with tip	1
B. Tail pipe with hanger	1
C. Muffler with hanger	1
D. Head pipe	1
E. Front muffler clamp 3"	1
F. 3" Clamp	3



Start: □

1. Remove and inventory new JBA exhaust system. □

2. Disconnect negative battery cable and allow vehicle to cool.



3. With vehicle raised and properly supported, using a 15mm socket loosen the exhaust clamp ahead of the muffler.

4. Remove the right rear shock using an 18mm wrench.



5. Spray lubricant on the hanger grommet at the front of the muffler, the one above the muffler and at the rear by the exhaust turn out.

6. Remove the muffler and rear hanger from the grommets using a pair of channel lock pliers.



7. Remove the muffler and tail pipe assembly from the truck.
8. Slip the head pipe (D) onto the rear of the factory exhaust pipe. Align the keyways and secure with the supplied 3" clamp (F).



9. Install the new muffler (C) onto the back of the head pipe (D). Insert the hangers on the back of the muffler into the factory rubber grommets



10. Install the 3" clamp hanger on the front of the muffler over the slip connection and secure it with a 9/16" socket.



11. Slip the tail pipe with hanger (B) over the axle and insert it into the rear of the muffler (C). Insert the welded hanger on the tail pipe (B) into the rubber grommet.



12. Re-install the rear shock and tighten using 18mm socket.
13. Align the tail pipe (B) for proper clearance around the rear shock, rear end housing, frame, etc. Then secure the tail pipe in place using the 3" clamp (F) and tightening it over the slip connection with the muffler.



14. Install the turn out with tip (A) over the end of the tail pipe (B). Adjust the turn out so that it is level or slightly angled down.



15. Check for adequate clearance from paint and body. With the turn out properly aligned, secure it in place with the 3" clamp (F) and tighten.

16. Using a soft cloth, remove all prints from exhaust tip.

17. Check all clamps and connections for proper fit and alignment. Double check all clamps are tightened and that all hangers are secure in rubber grommets. It is recommended that after installation of this exhaust system you have all slip connections tack welded by a muffler shop.

NOTES:

- 1.) It may be necessary to loosen and realign the spare tire for proper clearance.
- 2.) All exhaust systems expand about 1" rearward when exhaust temperature rises.
3. Use anti-seize on threads of clamps.