



a xylem brand

Rule Mate

INSTRUCTION MANUAL

CE

rule

a xylem brand

⚠ WARNING



This pump is designed for use with fresh water and salt water **ONLY**. Use with any other hazardous, caustic, or corrosive material could result in damage to the pump and the surrounding environment, possible exposure to hazardous substances and injury.



CE Logo

When this product carries a CE mark, it conforms to one or more of the following standards:

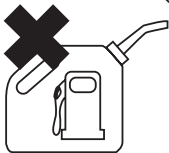
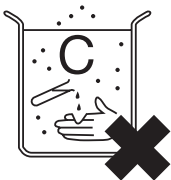
EN 61000-6-1:2001 EN 61000-6-3:2007

Following the Provisions of the Electromagnetic Compatibility Directive 2004/108/EC

ISO 8846 / Electrical Devices Protection Against Ignition of Surrounding Flammable Gases

ISO 10133:2000 / Electrically Operated Bilge Pumps

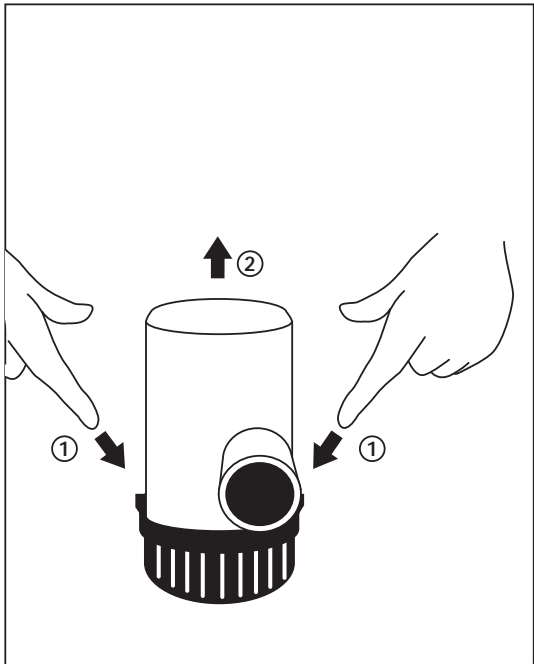
ISO 10133:2000 / Electrical Systems - Extra Low Voltage D.C. Installations Following the Provisions of the Recreation Craft Directive 94/25/EEC

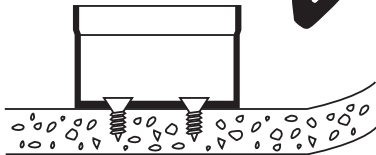
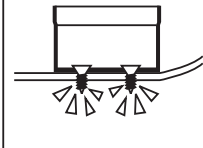
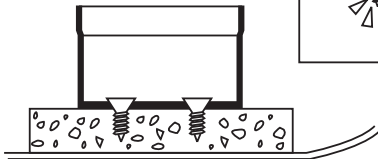


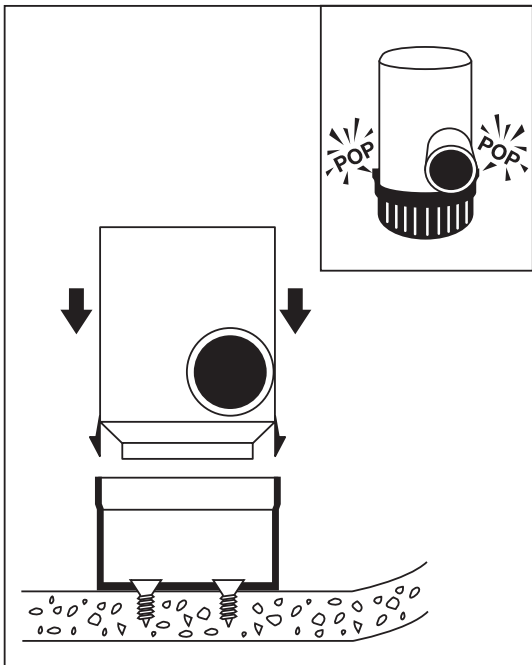
! CAUTION

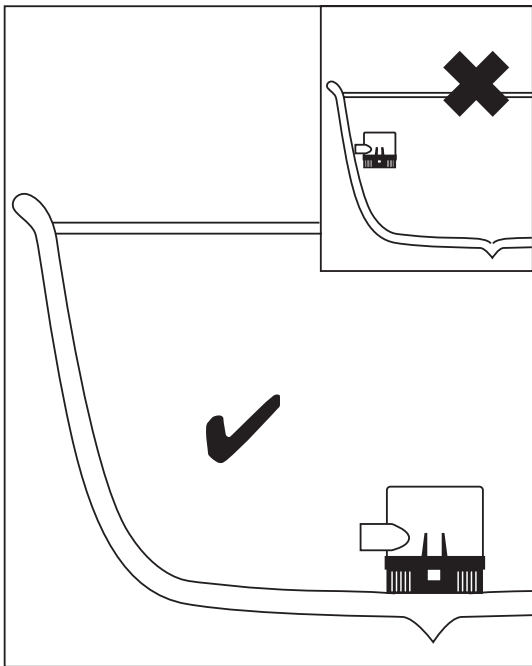


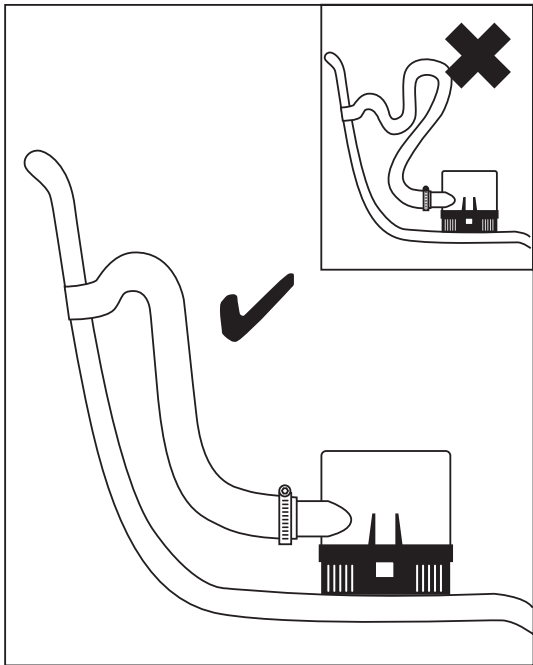
Disconnect power from the system before working on the unit to avoid personal injury, damage to the surrounding environment and/or damage to the unit.

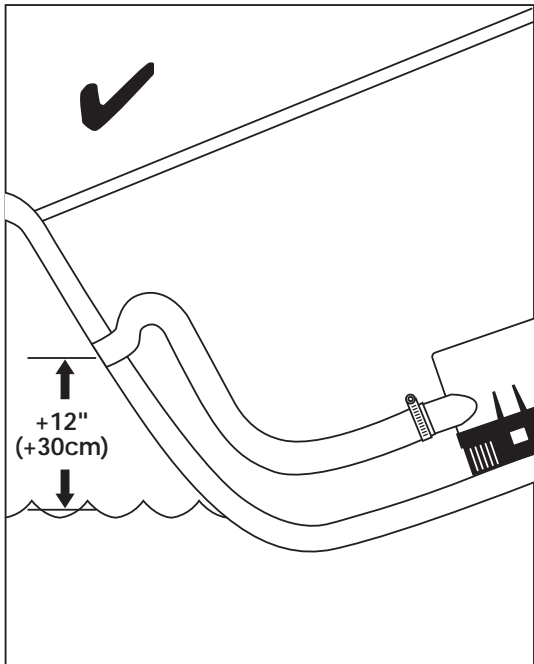


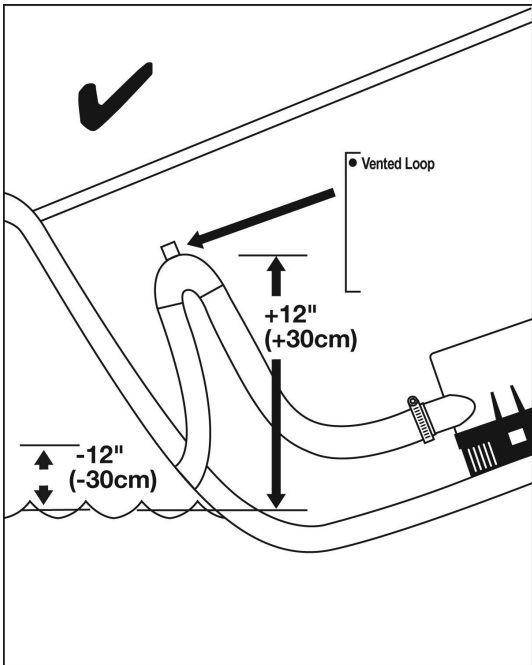




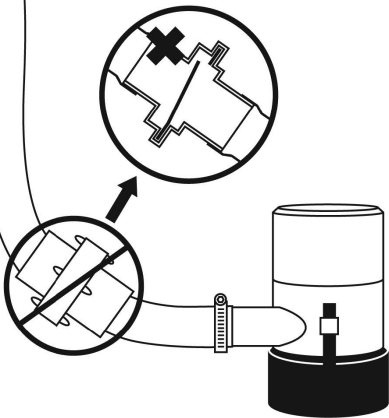


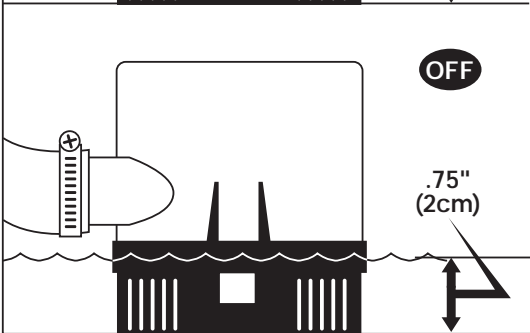
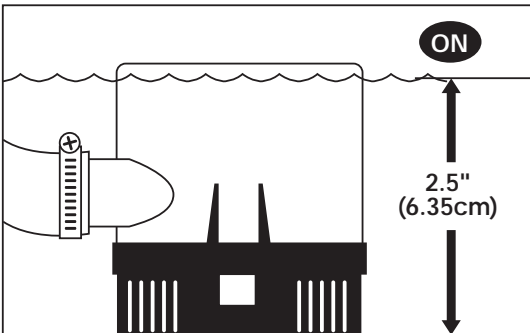




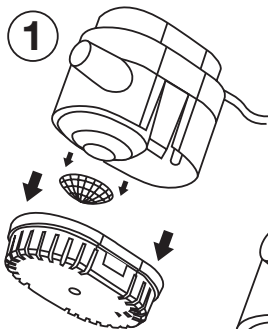
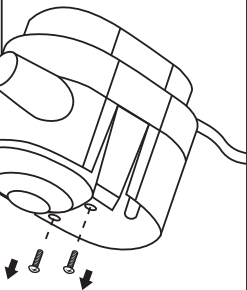


• No Check Valve





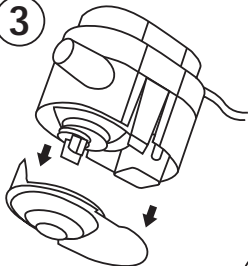
CLEANING INSTRUCTIONS

1**2**

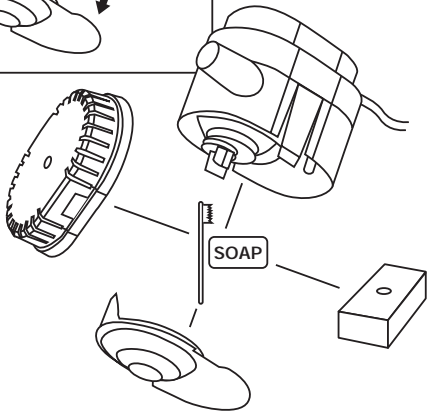
RM500, RM750, =  x 2
RM1100

RM1500, RM2000 =  x 6

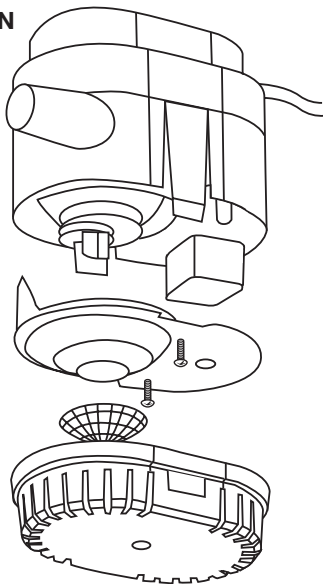
3



4

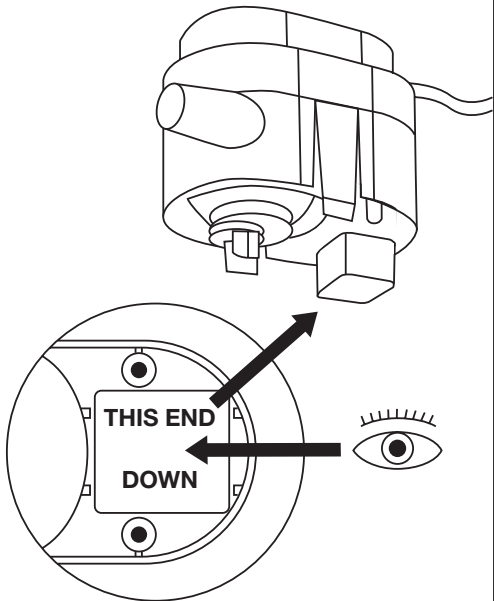


REASSEMBLE IN THIS ORDER



RM500, RM750, =  x 2
RM1100

RM1500, RM2000 =  x 6

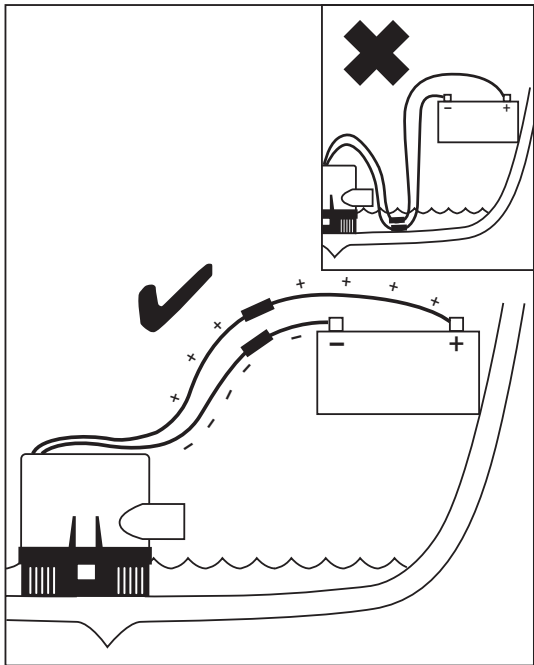




 CAUTION



Keep all wire connections above the highest water level. Wires must be joined with butt connectors and a marine grade sealant to prevent wire corrosion.



A	B	C	D	E	F
GPH (LPH)	Model	Volts	Amps (Volts)	Amps (Volts)	Fuse Size

A	B	C	D	E	F
500 (1893)	RM500	12DC	1.9 (12v)	2.5 (13.6v)	3
500 (1893)	RM500-24	24DC	1.0 (24v)	1.3 (27.2v)	1.5
750 (2839)	RM750	12DC	2.8 (12v)	4.0 (13.6v)	5
750 (2839)	RM750-24	24DC	1.4 (24v)	2.0 (27.2v)	3
1100 (4164)	RM1100	12DC	3.3 (12v)	5.0 (13.6v)	5
1100 (4164)	RM1100-24	24DC	1.4 (24v)	2.0 (27.2v)	3
1500 (5678)	RM1500	12DC	4.8 (12v)	7.0 (13.6v)	7.5
2000 (7571)	RM2000	12DC	8.4 (12v)	12.0(13.6v)	15
2000 (7571)	RM2000-24	24DC	4.0 (24v)	6.0 (27.2v)	7.5

Rated Flow	Open Flow Output @ 0ft/0m (0 kPa) GPH (LPH)	Open Flow Output @ 3.35ft/1m (10 kPa) GPH (LPH)	Open Flow Output @ 6.7ft/2m (20 kPa) GPH (LPH)
500	500 (1892)	360 (1362)	260 (984)
750	750 (2839)	580 (2195)	375 (1419)
1100	1100 (4164)	860 (3255)	550 (2081)
1500	1500 (5678)	1200 (4542)	680 (2574)
2000	2000 (7570)	1620 (6132)	1300 (4921)
<p>Note: Output is based on 10 hour break-in period and at 13.6V (12V models) or 27.2V (24V models)</p>			

⚠ CAUTION



Always install proper fuse size to prevent damage to product should a short occur. Failure to install proper fuse could increase risk of pump malfunction potentially resulting in personal injury and/or fire hazard.

