



# Marine Product Catalog

SERVICING MILLIONS OF BOATS WORLDWIDE



# Contents

MARINE PRODUCT CATALOG

## 01 An Introduction to Pumps 4

Overview of Parts	4
Introduction	6

## 02 Bilge Pumping Systems 8

Introduction	8
Electric Submersible Pumps	12
Bilge Pump Control & Panel Switches	14
General Purpose Pumps	16
Jabsco & Rule Accessories	18
Amazon Manual Diaphragm Pumps	20
Electric Diaphragm Pumps	22
Electric Flexible Impeller Pumps	24
Engine Driven, Electric Clutch Pumps	26
Engine Driven, Manual Clutch Pumps	28
Jabsco Accessories	30

## 03 Livewell/Baitwell Pumps 32

Introduction	32
Livewell/Aerator	34

## 04 Toilet Systems 38

Introduction	38
Twist 'n' Lock Manual Toilets	40
Lite Flush Toilets	41
Electric Toilets & Kits	42
Quiet Flush Electric Toilets	44
Deluxe Flush Electric Toilets	46
Accessories	48
New Ceramic Designs	50

## 05 Water Pressure Systems 52

Introduction	52
Automatic Pressure Controlled Pumps	54
Accessories & Accumulator Tanks	60

## 06 Washdown Pumps 62

Washdown Pumps	62
----------------	----

## 07 Oil Change & Diesel Transfer Pumps 64

Oil Change Pumps	64
Diesel Transfer Pumps	68

## 08 General Purpose Pumps 70

Introduction	70
Shower & Sink Drain Pumps	71
Circulation Pumps	72
Dockside Utility & Portable Pumps	73
Drill Pumps & General Pumps	74
Ballast Pumps	75
Utility Pumps	76

## 09 Ventilation Blowers 78

Introduction	78
Heavy-Duty Radial Blowers	79
Radial & In-Line Blowers	80

## 10 Searchlights 82

Introduction	82
Remote Control Lights	84
Remote Control Kits & Harnesses	86
Floodlights	88

# Contents

MARINE PRODUCT CATALOG

## 11 Flexible Impeller Pumps 90

Selection Guide	90
Introduction	94
Pulley Driven Pumps	100
Upgrade to Jabsco Engine Cooling Pumps	106
Cooling Pump Spares by Make of Engine	112

## 12 Impeller Replacement 144

Introduction	144
Impeller Selection	146
Selection Table by Profile	148
Selection Table by Dimensions	150
Troubleshooting Guide	152

## 13 Service Parts 154

Gasket, Wearplate & End Cover Profiles	154
Cam Profiles	159
Flexible Impeller Pump Spares by Pump Model	162
Electromagnetic Clutch Pump Clutch Parts	216
Obsolete to Current Jabsco Parts Table	218
USA to UK Jabsco Parts Table	222
Johnson to Jabsco Parts Table	224
DC Flexible Impeller Puppy Pumps	226
AC Flexible Impeller Pumps, AC & DC Macerator and Centrifugal Pumps, Sliding Vane Pumps	228
Shower Drain/Bilge and Waste Pumps	230
Traditional PAR Pumps	232
V-Flo 5.0 Pump	236
PAR-Max Plus Series Pumps	237

## 13 Service Parts (continued)

PAR-Max Series & PAR-Mate Pumps	238
PAR-Max 4.0 GPM Washdown Pump	239
Old 30XXX Series PAR-Max Pumps	240
New 31XXX Series PAR-Max Pumps	241
Sensor Max™ VSD & Dual Max Pumps	243
Amazon Manual Diaphragm Pumps	244
PAR Manual Toilets up to 1997	246
Jabsco Manual Toilets 1998 to 2007	247
Jabsco Manual Toilets 2008 Onward	248
Electric Conversion for Manual Toilets	249
Electric Toilets	250
18590 Series Run-Dry Macerator Pump	256
Replacement Bulb Guide	257

All products in this catalog comply with any current relevant European legislation unless shown otherwise.

# 01 An Introduction to Pumps

OVERVIEW OF PARTS





Searchlight



Shower Drain Pumps



Toilet Systems

# 01 An Introduction to Pumps

INTRODUCTION



## Flexible Impeller



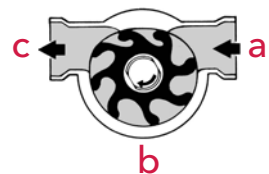
Pipe runs should always be kept as short and straight as possible. Plumbing should always be reinforced, non-collapsible hose of the recommended size. Electric pumps should always be installed in a dry, well-ventilated position as close to the liquid to be pumped as possible.

Flexible impeller pumps must not be run dry. Bilge pumps and water pumps in particular should be fitted with a filter or strainer on the inlet plumbing to protect them from debris. These should be fastened to the boat structure to ensure their permanent location. Mount flexible impeller pumps so that some water is left in the pump body when the pump is shut off. This will prolong impeller life and speed priming. Pumps must be installed with the overboard discharge well above the waterline (both static and heeled) to avoid water siphoning back into the vessel.

- **Versatile:** The flexible impeller pump combines the priming features of positive displacement type pumps with the general transfer ability of centrifugals. It will pump either thin or viscous liquids and can handle more solids in suspension than other types of rotary pumps. The pump can be mounted at any angle and will pump in either direction with equal efficiency.
- **Self-Priming:** Pumps instantly with dry suction lifts up to 10' (3m) and up to 25' (8m) when wetted.
- **Simplicity:** One moving part – a tough, long-life, wear-resistant flexible impeller.
- **Flexibility:** The flexible impeller pump offers both high flow and high pressure according to motor and impeller design.
- CE and ISO 8849 certification.
- Ignition protection.

### HOW IT WORKS

- Flexible impeller blades create a nearly perfect vacuum for instant self-priming.
- As the impeller rotates, each successive blade draws in liquid and carries it from intake to outlet port.
- As the flexible impeller blades contact the offset cam, they bend with a squeezing action that provides a continuous, uniform flow.



## Diaphragm

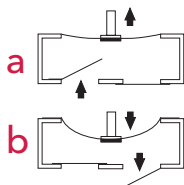
Electric pumps should always be installed in a dry, well-ventilated position as close as possible to the liquid to be pumped. Plumbing should always be reinforced, non-collapsible hose of the recommended size. Bilge pumps and water diaphragm bilge pumps in particular should always be fitted with a filter and strainer on the inlet plumbing to protect them from debris. These should be fastened to the boat structure to ensure their permanent location. Pumps must be installed with the overboard discharge well above the waterline (both static and heeled) to avoid water siphoning back into the vessel. Electric diaphragm pumps can be run dry for up to two hours.



- **Self-Priming:** Vertical lift up to 16' (5m) for manual pumps and 6-10' (2-3m) for electric pumps.
- **Dry Running:** Diaphragm pumps can be run dry for extended periods with no damage, therefore requiring less attention during use.
- **Versatility:** Self-priming and dry running capabilities mean few limitations on use. Larger manual diaphragm pumps have the ability to handle some solids in suspension. Electric diaphragm pumps make excellent bilge pumps for boats with shallow bilges, or bilges with restricted areas.
- **Quiet Running:** Electric pumps feature smooth flow and low noise levels.

### HOW IT WORKS

- The diaphragm, pulled upward by the movements of a piston or a handle, causes a partial vacuum, opening the inlet port and closing the outlet, drawing in liquid.
- Downward movement of the diaphragm pressurizes the liquid, closing the inlet valve and opening the outlet valve through which liquid is expelled by pressure.



## Sliding Vane

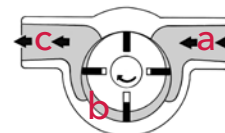
Pipe runs should be kept as short and straight as possible, avoiding rising and dipping over obstructions as this can cause airlocks. Always use hose of the recommended size, and of a rigid or reinforced type that will not collapse under suction conditions. Electric pumps should always be installed in a dry, well-ventilated position as close as possible to the liquid to be pumped.



- **Durable:** Heavy-duty construction with quality materials gives long life. The body is designed to resist environmental damage. The vanes and rotor are constructed of a wear-resistant, long-life material.
- **Self-Priming:** Self-priming up to 13' (4m).
- **Simplicity:** There are few moving parts to replace. The rotor, vanes and seal are lubricated by the liquid being pumped.
- **Versatile:** An excellent compact unit for pumping diesel fuel or hydraulic oil.
- **Can run in either direction.**

### HOW IT WORKS

- The vanes create a partial vacuum for priming.
- As the rotor rotates, each successive vane draws and carries liquid from the intake to the discharge port.
- When the vanes contact the eccentric portion of the pump body, they force liquid out the discharge port head.



## Centrifugal

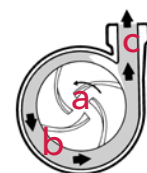
Pipe runs should be kept as short and straight as possible, avoiding rising and dipping over obstructions as this can cause airlocks. Always use hose of the recommended size. Submersible bilge pumps must be installed with the overboard discharge well above the waterline (both static and heeled) to avoid water siphoning back into the vessel.



- **High-Volume Flow:** Centrifugal pumps handle high volumes with a smooth, non-pulsating flow. The flow rate can be regulated from maximum output to no flow with no damage to the pump. An excellent pump for general transfer applications.
- **Low Maintenance:** Few moving parts means that wear due to operation is minimal.
- **Easy Installation:** Compact size for flow rate. Option of port positions simplifies pipe runs.
- **Versatility:** Centrifugal pumps can be built in submersible form, making excellent bilge pumps.
- **Low Power Consumption:** Electric centrifugal pumps consume less power than most other bilge pumps.

### HOW IT WORKS

- Centrifugal pumps must be either initially primed or mounted in such a way that liquid is permanently available at the inlet port (e.g., submersible pumps).
- The rotating impeller gives velocity energy to the liquid, moving it to the periphery of the volute casing and toward the discharge port.
- The volute casing discharge arrangement converts velocity energy into static pressure or available pump head.



### WARNING

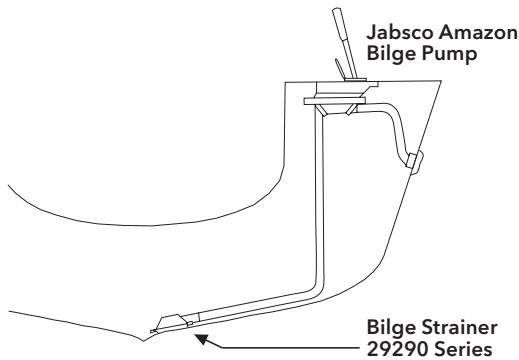
No pump manufactured by Jabsco or Rule should be used for gasoline, petroleum products or any fluid with a flash point below 100°F (38°C).

# 02 Bilge Pumping Systems

INTRODUCTION



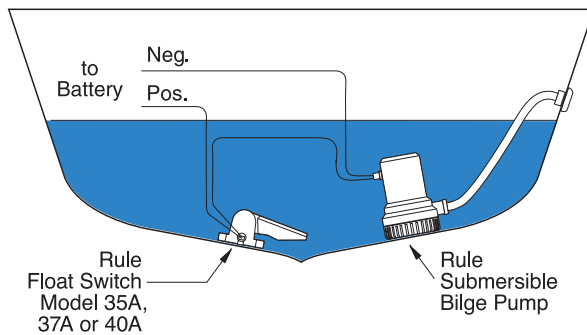
## Manual Diaphragm Pumps



These are the traditional mainstay of small craft bilge pumping systems and can offer surprisingly good flow rates, as well as a variety of installation options. Yacht racing rules state that at least one pump must be capable of being pumped from the cockpit with all hatches shut. The best way to accomplish this is with a through deck kit, which allows the pump to be installed safely below decks while the operator pumps from above.

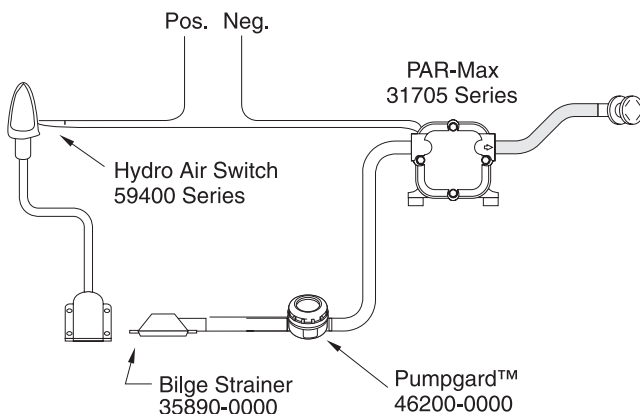
A well-designed manual bilge pump is very hard to block due to its large bore hose and valves and one-piece diaphragm. The larger pumps in Jabsco's line of manual bilge pumps are also suitable for ballast and waste transfer.

## Electric Submersible Pumps



By far the most popular type of electric bilge pumps, submersibles give very high outputs, are cost effective, have low amp draw and are easy to install. They are designed to fit in the lowest part of the bilge and only require discharge pipework and electricity supply. However, flow rates decrease as the discharge head increases, so check our recommended maximum discharge heads, and if in doubt, always increase the size of the pump. Although our submersibles can be run dry for up to two hours, pump life can be extended by avoiding dry running whenever possible. All submersibles can be operated using a float or Hydro Air switch, and remotely controlled outside the bilge compartment by using a Rule switch panel.

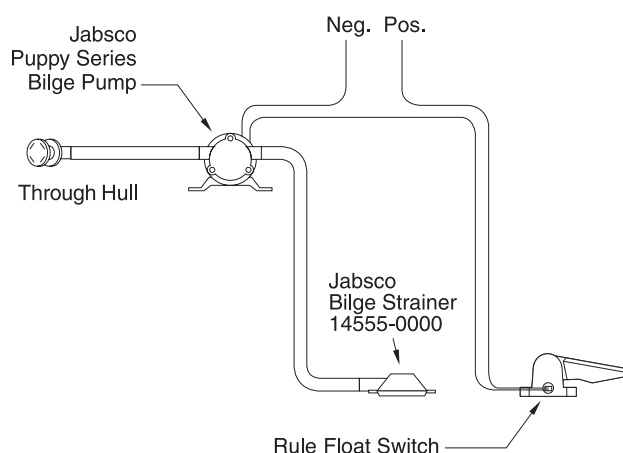
## Electric Diaphragm Pumps



These pumps are excellent for shallow bilge boats, where the water left behind by other types of pumps will slop from side to side. With the small size of inlet plumbing, they are very effective as bilge pumps, removing all but the last drops of water. Diaphragm pumps can be run dry, which removes the need to watch overboard outlets while the pump is running. The ability to self-prime means they can be mounted in an easily accessible, high and dry location to simplify installation and improve serviceability. Most models in the line are supplied complete with a Pumpgard™ strainer to protect the pumps from bilge debris.

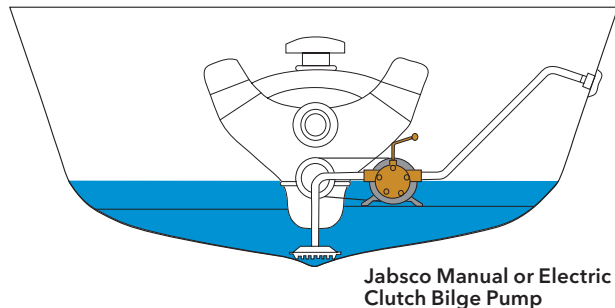


## Electric Flexible Impeller Pumps



Flexible impeller pumps make excellent bilge pumps, principally because of their ability to handle bilge debris without damage. Because of the robust design, many owners still use our 12 volt DC or 24 volt DC flexible impeller motor pump units that are up to 25 years old! Flexible impeller pumps also give the benefits of good flow, low cost, low size and weight, and are easily serviced and maintained. Most flexible impeller pumps must not be run dry, as this will damage the impeller and require replacing. However, the Utility Puppy 2000 and 3000 both allow a maximum of 10 minutes dry running after initial prime. Flexible impeller pumps can be operated using a float or Hydro Air switch, and remotely controlled from outside the bilge compartment. There is a wide range of flexible impeller pumps to choose from, giving a range of flows, discharge heads and self-priming options for applications such as ballast transfer, bait tank circulation and deck wash duties.

## Engine Driven Flexible Impeller Pumps



Jabsco Engine Driven Pumps are probably the strongest and most reliable pumps produced today. Combined with other benefits such as self-priming and very high flow rates, these pumps are now the firm favorites of commercial and professional mariners worldwide. All the pumps are easily maintained and can fulfill a variety of duties onboard both modern and classic vessels. Jabsco engine driven pumps come in a very wide range of performances and sizes, and can be direct driven by a clutch, pulley or hydraulic drive, or close coupled to a suitable power take-off on the engine. These pumps are suitable for applications such as:

- High-flow, heavy-duty bilge pumps.
- Emergency onboard bilge pumps.
- Firefighting pumps.
- Engine cooling.
- Water ballast transfer.
- Circulation duties.

Of course, each application requires different features from each pump and drive type. Either manual or electromagnetic flexible impeller clutch pumps are ideal for bilge pumping. Each type of clutch has different benefits from the other. Manual clutches will operate as long as the engines are still running, which provides added security when operating as an emergency bilge pump. Electromagnetic clutches can be operated remotely via float or Hydro Air switches, while fitting a vacuum switch eliminates all risk of dry running damage. However, electromagnetic clutches will only engage as long as electrical power remains available.



### WARNING

No pump manufactured by Jabsco or Rule should be used for gasoline, petroleum products or any fluid with a flash point below 100°F (38°C).

# 02 Bilge Pumping Systems

## INTRODUCTION



### Rule Bilge Pumps

Rule Submersible Bilge Pumps have set the standard for the industry for decades. They are the first choice of yachtsmen and fishermen throughout the world. More innovations in bilge pump design have come from Rule Industries than any other manufacturer, and we are proud to offer the broadest range of bilge pumps in the world.

Rule Industries has taken the initiative to once again set the standard. We're moving forward to redesign our bilge pumps from the 360 to the 4000 GPH pumps. As we look into the future, you'll see new designs, more options and higher efficiencies.



#### FEATURES AND BENEFITS

- Pump and switch are stand-alone products.
- Compact, efficient, long-life motors.
- Sizes: 360, 500, 800, 1000, 1100, 1500, 2000, 3700 and 4000 in 12, 24 and 32 volt versions.
- Limited three-year warranty.
- Ability to run dry for short periods.
- Easy-clean, snap-lock strainer bases.
- Stainless steel shafts.
- Completely submersible.
- Marine-grade blocked wiring.
- Rust and corrosion protection.
- Silent and vibrationless operation.
- CE and ISO 8849 certification.
- Ignition protection.
- Traditional operation activated by a float switch and/or panel switch, providing an extra level of security and protection.
- Remove the motor by pushing the side tabs, allowing easy access to clean the strainer and the impeller cavity.

## Standard Bilge Pumps

CAPACITY GPH (LPH)	MODEL NUMBER	VOLTS	FUSE SIZE	AMPS @12V	AMPS @13.6V	REPLACEMENT STRAINER	HEIGHT INCHES (mm)	WIDTH INCHES (mm)	HOSE DIAMETER INCHES (mm)	PANEL SWITCHES	FLOAT SWITCHES
360 (1363)	24	12DC	4	2.2	2.7	Model 275	3.5 (89)	2.4 (60)	3/4 (19)	41, 43, 45, 49	35A, 37A, 40A
500 (1893)	25D-6 (6' wires)	12DC	4	1.9	2.2	Model 275	3.5 (89)	2.4 (60)	3/4 (19)	41, 43, 45, 49	35A, 37A, 40A
500 (1893)	25D	12DC	4	1.9	2.2	Model 275	3.5 (89)	2.4 (60)	3/4 (19)	41, 43, 45, 49	35A, 37A, 40A
500 (1893)	26D	24DC	1.5	0.9@24V	1.3@27V	Model 275	3.5 (89)	2.4 (60)	3/4 (19)	42, 44, 45, 49	35A, 37A, 40A
800 (3028)	21R	24DC	2.5	1.3@24V	2.0@27V	Model 275	3.75 (95)	2.4 (60)	3/4 (19)	42, 44, 45, 49	35A, 37A, 40A
800 (3028)	20R	12DC	5	2.2	2.5	Model 275	3.75 (95)	2.4 (60)	3/4 (19)	41, 43, 45, 46	35A, 37A, 40A
800 (3028)	20F	12DC	5	2.1	2.5	Model 277	4.0 (102)	2.9 (73)	3/4 (19)	41, 43, 45, 47	35A, 37A, 40A
900 (3407)	LP900D	12DC	7.5	4	5	1230R	2.4 (60)	2.4 (60)	Multiple	41, 43, 45, 48	35A, 37A, 40A
1000 (3785)	20A	12DC	5	2.6	3.2	Model 277	4.0 (102)	2.9 (73)	1-1/8 (29)	41, 43, 45, 49	35A, 37A, 40A
1100 (4164)	28D	24DC	2.5	1.3@24V	2.0@27V	Model 275	4.25 (108)	2.4 (60)	1-1/8 (29)	42, 44, 45, 49	35A, 37A, 40A
1100 (4164)	27D-6 (6' wires)	12DC	5	2.8	3.4	Model 275	4.25 (108)	2.4 (60)	1-1/8 (29)	41, 43, 45, 49	35A, 37A, 40A
1100 (4164)	27D	12DC	5	2.8	3.4	Model 275	4.25 (108)	2.4 (60)	1-1/8 (29)	41, 43, 45, 49	35A, 37A, 40A
1500 (5678)	04	12DC	10	4	4.8	Model 278	6 (152)	4.25 (108)	1-1/8 (29)	41, 43, 45, 49	35A, 37A, 40A
1500 (5678)	03	24DC	4	2.3@24V	3.5@27.2V	Model 278	6 (152)	4.25 (108)	1-1/8 (29)	42, 44, 45, 49	35A, 37A, 40A
1500 (5678)	02-6 (6' wires)	12DC	10	4	4.8	Model 278	6 (152)	4.25 (108)	1-1/8 (29)	41, 43, 45, 49	35A, 37A, 40A
1500 (5678)	02	12DC	10	4	4.8	Model 278	6 (152)	4.25 (108)	1-1/8 (29)	41, 43, 45, 49	35A, 37A, 40A
2000 (7571)	12	24DC	7.5	4.0@24V	6.0@27.2V	Model 278	6 (152)	4.25 (108)	1-1/8 (29)	42, 44, 45, 49	35A, 37A, 40A
2000 (7571)	11	32DC	6	3.1@32V	5.0@36.3V	Model 278	6 (152)	4.25 (108)	1-1/8 (29)	–	35A, 37A, 40A
2000 (7571)	10-6UL	12DC	15	7.3	8.6	Model 278	6 (152)	4.25 (108)	1-1/8 (29)	41, 43, 45, 49	35A, 37A, 40A
2000 (7571)	10	12DC	15	7.3	8.6	Model 278	6 (152)	4.25 (108)	1-1/8 (29)	41, 43, 45, 49	35A, 37A, 40A
2000 (7571)	09	12DC	15	7.3	8.6	Model 278	6 (152)	4.25 (108)	1-1/8 (29)	41, 43, 45, 49	35A, 37A, 40A
3700 (14010)	15A	32DC	10	5.0@32V	7.5@36.3V	Model 279	7.25 (184)	4.9 (124)	1-1/2 (38)	–	37A, 40A
3700 (14010)	16A	24DC	15	6.9@24V	10@27.2V	Model 279	7.25 (184)	4.9 (124)	1-1/2 (38)	42, 44, 45, 49	37A, 40A
3700 (14010)	14A-6UL	12DC	25	10.1	12.2	Model 279	7.25 (184)	4.9 (124)	1-1/2 (38)	41, 43, 45, 49	37A, 40A
3700 (14010)	14A	12DC	25	10.1	12.2	Model 279	7.25 (184)	4.9 (124)	1-1/2 (38)	41, 43, 45, 49	37A, 40A
3700 (14010)	13A	12DC	25	10.1	12.2	Model 279	7.25 (184)	4.9 (124)	1-1/2 (38)	41, 43, 45, 49	37A, 40A
4000 (15140)	56D-32	32DC	10	5.0@32V	7.5@36.3V	Model 279	7.75 (196.8)	4.75 (121)	2 (51)	–	37A, 40A
4000 (15140)	56D-24	24DC	15	6.9@24V	10@27.2V	Model 279	7.75 (196.8)	4.75 (121)	2 (51)	42, 44, 45, 49	37A, 40A
4000 (15140)	56D	12DC	25	10.2	12.1	Model 279	7.75 (196.8)	4.75 (121)	2 (51)	41, 43, 45, 49	37A, 40A

# 02 Bilge Pumping Systems

ELECTRIC SUBMERSIBLE PUMPS



## Electronic Sensing Bilge Pumps

Electronic sensing operation on the principle of impeller resistance. Float switches are not required.

The pump will turn on every 2-1/2 minutes for about one second to sense for water. If water is present, the pump will sense resistance and continue to run until all water is removed. Thereafter, it will check for water every 2-1/2 minutes. Power use in the checking mode is minimal.



### FEATURES AND BENEFITS

- No external switch.
- Pump operates automatically by sensing for water.
- Pump turns on every 2-1/2 minutes to feel for water. When water is encountered, the pump remains on until water is removed and then the pump shuts down. Thereafter, it reverts to a 2-1/2 minute sensing mode.
- Sizes: 500, 800, 1100, 1500, 2000, 3700 and 4000 in 12 and 24 volt versions.
- Limited three-year warranty.

## Rule-Mate Automated Bilge Pumps

No float switch required. The Rule-Mate series of bilge pumps features a solid state water sensing technology that eliminates the need for a separate float switch.

When water enters the bilge and reaches a certain height, 2-3/4" (70mm), a sensor turns the pump on. After the water is pumped out, another sensor shuts the pump off. The sensors' unique "field effect" technology is eco-friendly because they only sense the dielectric constant of water. In the event of an onboard oil spill, straight motor oil that enters the bilge will not turn the pump on. Please note that this is **not** an oil overspill system or a safety measure device.

### FEATURES AND BENEFITS

- All-in-one pump and switch – no float switch required.
- Pump turns on when water level rises and shuts off when water is removed.
- Will not pump oil – straight motor oil that enters the bilge will not turn the pump on.
- Snap-off strainer for easy cleaning.
- Anti-fouling impeller.
- The new Rule-Mates are available in 500, 750, 1100, 1500 and 2000 GPH (1893, 2839, 4164, 5678 and 7571 LPH) models in 12 and 24 volt versions.
- Limited three-year warranty.



RM2000A

### ELECTRONIC SENSING SERIES BILGE PUMPS

CAPACITY GPH (LPH)	MODEL NUMBER	VOLTS	FUSE SIZE	AMPS @12V	AMPS @13.6V	REPLACEMENT STRAINER	HEIGHT INCHES (mm)	WIDTH INCHES (mm)	HOSE DIAMETER INCHES (mm)	PANEL SWITCHES
500 (1893)	25S-6 (6' wires)	12DC	2.5	1.9	2.5	Model 275	4 (102)	2.4 (60)	3/4 (19)	41, 43, 45
500 (1893)	25S	12DC	2.5	1.9	2.5	Model 275	4 (102)	2.4 (60)	3/4 (19)	41, 43, 46
500 (1893)	25S-24	24DC	1.5	0.9@24V	1.3@27.2V	Model 275	4 (102)	2.4 (60)	3/4 (19)	41, 43, 47
800 (3028)	20RS	12DC	5	3.7	4.3	Model 275	4.25 (108)	2.4 (60)	3/4 (19)	41, 43, 45
1100 (4164)	27S	12DC	6	2.8	3.4	Model 275	4.25 (108)	2.4 (60)	1-1/8 (29)	41, 43, 45
1500 (5678)	51S	12DC	10	4.8	7	Model 286	7.75 (196.8)	4.75 (121)	1-1/8 (29)	41, 43, 45
2000 (7571)	53S	12DC	15	8.4	12	Model 278	7.75 (196.8)	4.75 (121)	1-1/8 (29)	41, 43, 45
3700 (14010)	55S	12DC	25	15.5	20	Model 279	8.25 (209.5)	4.9 (124)	1-1/2 (38)	41, 43, 45
4000 (15140)	56S	12DC	25	15.5	20	Model 279	9.25 (235)	4.9 (124)	2 (51)	41, 43, 45

### RULE-MATE AUTOMATED BILGE PUMPS

CAPACITY GPH (LPH)	MODEL NUMBER	VOLTS	FUSE SIZE	AMPS @12V	AMPS @13.6V	REPLACEMENT STRAINER	HEIGHT INCHES (mm)	WIDTH INCHES (mm)	HOSE DIAMETER INCHES (mm)	PANEL SWITCHES
500 (1893)	RM500A	12DC	3	2	2.2	Model 1000864-26	4.5 (114)	6 (152)	3/4 (19)	41, 43, 45
500 (1893)	RM500A-24	24DC	1.5	1.0@24V	1.3@27.2V	Model 1000864-26	4.5 (114)	6 (152)	3/4 (19)	42, 44, 45
750 (2839)	RM750A	12DC	5	2.8	3.1	Model 1000864-26	4.5 (114)	6 (152)	3/4 (19)	41, 43, 45
750 (2839)	RM750A-24	24DC	3	1.4@24V	2.0@27.2V	Model 1000864-26	4.5 (114)	6 (152)	3/4 (19)	42, 44, 45
1100 (4164)	RM1100A	12DC	5	3.4	4	Model 1000864-26	4.5 (114)	6 (152)	1-1/8 (29)	41, 43, 45
1100 (4164)	RM1100A-24	24DC	3	1.4@24V	2.0@27.2V	Model 1000864-26	4.5 (114)	6 (152)	1-1/8 (29)	42, 44, 45
1500 (5678)	RM1500A	12DC	10	4.8	7	Model 286	6 (152)	7.25 (185)	1-1/8 (29)	41, 43, 45
2000 (7571)	RM2000A	12DC	15	12	12	Model 286	6 (152)	7.25 (185)	1-1/8 (29)	41, 43, 45
2000 (7571)	RM2000A-24	24DC	7.5	4.0@24V	6.0@27.2V	Model 286	6 (152)	7.25 (185)	1-1/8 (29)	41, 43, 45

## LoPro Bilge Pumps

### LOW PROFILE BILGE PUMPS FOR TIGHT SPACES

Designed to bring pumping power to tight spaces, Rule's LoPro Series Bilge Pumps are only 2.4" (6cm) high. The LP900S model features two automated modes. The first one engages the pump when the water level reaches 2" (5cm) or 1.3" (3.25cm) (user choice); and the second one checks for water by briefly turning on the pump every 2-1/2 minutes. The LP900D model uses a traditional float and/or panel switch for operation.

### FEATURES AND BENEFITS

- Multiple modes of operation. The LP900S features two automated modes of operation.
- High or low water sensing mode. The pump starts when water reaches 2" (5cm). By turning the motor cartridge upside down, the sensor is at 1.3" (3.25cm).
- Electronic automatic mode. The pump automatically turns on every 2-1/2 minutes to check for water, and if it's detected, the pump stays on until the water is gone.
- Fully rotating discharge body. The entire body swivels up to 180°, making for an easy plumbing installation.
- Threaded discharge nozzle. Multiple ports are available for this pump: 3/4" (19mm) straight, 3/4" (19mm) right angle, 1" (25mm) and 1-1/8" (28mm).
- All ports are included in the aftermarket package.
- New tricuspid check valves help prevent backflow.
- Horizontal or vertical mounting. The LP900S and LP900D feature a variety of mounting options to accommodate a boat's bilge.



LP900S



LP900D

CAPACITY GPH (LPH)	MODEL NUMBER	VOLTS	AMPS @12V	AMPS @13.6V	FUSE SIZE	HEIGHT INCHES (mm)	WIDTH INCHES (mm)	LENGTH INCHES (mm)	HOSE DIAMETER INCHES (mm)	PANEL SWITCHES	FLOAT SWITCHES
<b>Automatic</b>											
900 (3407)	LP900S	12DC	4	5.2	7.5	2.4 (60)	2.4 (60)	9 (228)	Multiple	42, 44, 45	–
<b>Standard</b>											
900 (3407)	LP900D	12DC	4	5.2	7.5	2.4 (60)	2.4 (60)	7.12 (180)	Multiple	43, 45	35A, 37A, 40A



## 02 Bilge Pumping Systems

BILGE PUMP CONTROL & PANEL SWITCHES



### SuperSwitch™ Float Switch



37A

Backed by a five-year warranty, the non-mercury SuperSwitch™ is designed for the toughest applications. Design includes marine-grade, 14 gauge blocked wire, a larger float for increased buoyancy, removable base for easy servicing and a snap switch design capable of handling pumps drawing up to 20 amps at 12 volt DC. Models 37A and 37FA include a five-year warranty.

### Rule-A-Matic® Plus™ Float Switch



40A

Sleek and rugged, the Rule-a-Matic® Plus™ Float Switch has a strong, fully integrated and impact-resistant cover, which protects against debris and jamming. Design includes 14 gauge highly abrasive-resistant, marine-grade wire and a built-in test feature. Designed for pumps drawing up to 20 amps at 12 volt DC. Models 40A and 40FA include a two-year warranty.

### Rule-A-Matic® Float Switch



35A

Year after year, the Rule-a-Matic® has been the switch of choice for boaters the world over. Our latest design now includes a removable base for easy cleaning and servicing, a mercury-free snap switch tested to over one million cycles and marine-grade blocked wire. Designed for pumps drawing up to 14 amps at 12 volt DC. Models 35A and 35FA include a two-year warranty.

### ECO-Switch



39

The Rule ECO-Switch is an ecologically sound automatic bilge pump control switch. Featuring a non-mercury design, the pump operates with simple air pressure. As water rises in the bilge, air rises in the air tube that is attached to the switch. The air pressure activates the switch which controls your pump. All wiring is out of the water, and there are no submerged electrical connections at all. Offering complete reliability and outstanding performance, the Rule ECO-Switch offers a viable alternative to traditional float switches. For pumps drawing up to 20 amps.

MODEL NUMBER	DESCRIPTION	VOLTS (DC)	MAX AMPS (DC)	WIRE GAUGE	SIZE (HEIGHT X LENGTH X WIDTH) INCHES (mm)
35A	Rule-a-Matic®	12, 24	14A (12V), 7A (24V)	16 AWG	2-1/4 x 5 x 1-3/4 (57 x 127 x 58)
35FA	Rule-a-Matic® with in-line fuse holder	12, 24	14A (12V), 7A (24V)		
37A	SuperSwitch™	12, 24, 32	20A (12V), 10A (24V), 6.5A (32V)	14 AWG	2-1/4 x 5 x 2 (57 x 127 x 51)
37FA	SuperSwitch™ with in-line fuse holder	12, 24, 32	20A (12V), 10A (24V), 6.5A (32V)		
40A	Rule-a-Matic® Plus™ with shield	12, 24, 32	20A (12V), 10A (24V), 6.5A (32V)	14 AWG	3 x 5-3/8 x 2-1/2 (76 x 137 x 64)
40FA	Rule-a-Matic® Plus™ with shield and in-line fuse holder	12, 24, 32	20A (12V), 10A (24V), 6.5A (32V)		
39	ECO-Switch 12 volt	12	20A	14 AWG	1-7/8 x 6 x 2-3/4 (48 x 152 x 70)
39-24	ECO-Switch 24 volt	24	10A		

### 3-Way Panel Lighted Switch

Model  
41/42



For use with any automatically controlled pump. Toggle has three positions (automatic, off or manual) and a "fail-safe" spring return to "off" from the "manual" position. Panel is black stainless steel with a red indicator light and fuse holder.

### 3-Way Panel Switch

Model 45



Similar to the Lighted Panel Switch, but without the indicator light or fuse holder. The "manual" position has a "fail-safe" spring return to "off" so you can't leave your pump running by accident. Black stainless steel panel.

### 3-Way Panel with Lighted Rocker Switch

Model  
43/44



For use with any automatically controlled pump. This unit features a black plastic panel, a built-in fuse holder, an internally lighted rocker switch with three positions (automatic, off or manual) and the Rule "fail-safe" spring return to "off" from the "manual" position.

### 2-Way Panel Switch

Model 49



Attractive black stainless steel panel highlights your control panel. Simple "on" and "off" toggle provides fingertip control.

MODEL NUMBER	DESCRIPTION	VOLTS (DC)	MAX AMPS (DC)	SIZE (WIDTH X HEIGHT), INCHES (mm)
41	3-Way Panel Switch – Lighted	12	20	3-1/4 x 2 (83 x 51)
42	3-Way Panel Switch – Lighted	24, 32	10@24V, 6.5@32V	3-1/4 x 2 (83 x 51)
45	3-Way Panel Switch	12, 24, 32	20@12V, 10@24V, 6.5@32V	2-1/4 x 2 (57 x 51)
43	3-Way Rocker Panel Switch – Lighted	12	20	2-7/8 x 2-3/8 (73 x 60)
44	3-Way Rocker Panel Switch – Lighted	24	10	2-7/8 x 2-3/8 (73 x 60)
49	2-Way Panel Switch	12, 24, 32	20@12V, 10@24V, 6.5@32V	2-1/4 x 2 (57 x 51)

# 02 Bilge Pumping Systems

GENERAL PURPOSE PUMPS



## Shower Drain

A compact, full-capacity shower drain system. Automatically turns on after the water starts and shuts off when the water is removed. Activated by a non-mercury Rule-a-Matic® Plus™ Float Switch. Available with one or three inlet ports which offer varying combinations of inlet hose. Other features include a clear screw-down cover, a removable strainer for easy cleaning and an internal check valve to prevent back flow.



CAPACITY GPH (LPH)	MODEL NUMBER	VOLTS	FUSE SIZE	AMPS	HEIGHT INCHES (mm)	WIDTH INCHES (mm)	LENGTH INCHES (mm)	DISCHARGE INCHES (mm)	INTAKE FITTINGS INCHES (mm)
800 (3028)	98A	12DC	5	2.8@12V	5.25 (140)	8.25 (210)	11.25 (241)	3/4 (19)	3/4 (19), 3/4 x 1 (19 x 25) Stepped, 1-1/8 x 1-1/2 (29 x 38) Stepped
800 (3028)	98A-24	24DC	2.5	1.3@24V	5.25 (140)	8.25 (210)	11.25 (241)	3/4 (19)	3/4 (19), 3/4 x 1 (19 x 25) Stepped, 1-1/8 x 1-1/2 (29 x 38) Stepped

## General Purpose Centrifugal Pumps

The Rule General Purpose Pump is designed for use as a washdown pump and/or to circulate water to your livewell tanks. Heavy-duty construction for commercial or pleasure boat use. 1-1/2" (38mm) inlet and 1-1/2" (38mm) discharge outlet. The Rule General Purpose Pump must be mounted below the waterline. It does not deliver high pressure, nor is it self-priming, but it delivers lots of water.



CAPACITY GPH (LPH)	MODEL NUMBER	VOLTS	FUSE SIZE	AMPS	HEIGHT INCHES (mm)	WIDTH INCHES (mm)	LENGTH INCHES (mm)	DISCHARGE INCHES (mm)	INTAKE INCHES (mm)
3800 (14380)	17A	12DC	25	15.5@12V	5.5 (140)	6.5 (165)	8.5 (216)	1.5 (38)	1.5 (38)
3700 (14002)	18A	24DC	15	6.9@24V	5.5 (140)	6.5 (165)	8.5 (216)	1.5 (38)	1.5 (38)
3700 (14002)	19A	32DC	10	5.0@32V	5.5 (140)	6.5 (165)	8.5 (216)	1.5 (38)	1.5 (38)



## High-Water Bilge Alarms

The High-Water Bilge Alarm consists of a float switch and an in-dash gauge that features both a visual and audible 85 db alarm. This unit allows an unmanned compartment to be constantly monitored. For additional compartments, add additional Rule Float Switches. Complies with CFR 182.530, which requires a visual and audible alarm in each unmanned space on commercial vessels at least 26' (7.9m) in length.



<b>SIZE</b>	2-1/4" x 5" x 2-1/64" (5.7 x 12.7 x 5.1cm)
<b>AMP</b>	For use with pumps with a current draw of up to 20 amps @ 12 volts
<b>VOLTAGE</b>	12V DC-32V DC

MODEL	DESCRIPTION
33ALA	12V DC
32ALA	24V DC
31ALA	32V DC
M-1507	Alarm only

## Portable Pumps

Constructed of sturdy ABS plastic with a comfort-grip handle providing smooth, firm strokes. Available in 24" (61cm) with hose and 48" (122cm) with hose.



MODEL	CAPACITY GPH (LPH)	ID HOSE SIZE	SIZE
165	8 (30)	1-1/8" (29mm)	24" (61cm) with 2' (0.6m) of 1-1/8" (29mm) hose
168	10 (38)	1-1/8" (29mm)	36" (91cm) with 4' (1.2m) of 1-1/8" (29mm) hose

# 02 Bilge Pumping Systems

JABSCO & RULE ACCESSORIES



## Corrugated White Polyethylene Bilge Hoses



All Rule hoses are designed for use with Rule pumps. Sizes up to and including 1-1/2" (38mm) diameter have smooth mounting cuffs every 12" (305mm). Flexible for easy installation and resistant to detergents, oil, gasoline, diesel fuel and salt water.

MODEL	DESCRIPTION
80	1-1/8" (29mm) ID hose in 100' (31m) lengths
81	3/4" (19mm) ID hose in 100' (31m) lengths
88	1-1/2" (38mm) ID hose in 100' (31m) lengths
90	2" (51mm) ID hose in 50' (15m) lengths

## Through Hull Fittings



High-impact plastic will not rust, corrode or discolor. Specially designed for Rule pumps.

MODEL	DESCRIPTION
59	1-1/2" (38mm) straight
60	1-1/8" (29mm) straight
61S	3/4" (19mm) straight
61	3/4" (19mm) right angle
62	5/8" (16mm) right angle

## Deluxe PVC Ribbed Bilge Hose



Clear ribbed bilge hose. Smooth inside finish improves pump performance. Rigid helix provides excellent abrasion resistance.

MODEL	DESCRIPTION
82	3/4" (19mm) ID hose in 100' (31m) lengths
83	1-1/8" (29mm) ID hose in 100' (31m) lengths
84	1-1/2" (38mm) ID hose in 100' (31m) lengths

## Adapters



90° elbow adapters are designed for rigid pipe installations of sump and utility pumps. Adapters snap onto discharge port. Opposite end is female pipe threaded. High-impact plastic will not rust, corrode or discolor. Garden hose adapter snaps onto discharge port, converting pump into standard garden hose fitting.

MODEL	DESCRIPTION
57	Adapts 1800 GPH (6814 LPH) pump to 1" (25mm) NPT. Fits 1-1/8" (29mm) discharge.
67	Hose adapter – 1-1/2" (38mm) outlet to 1-1/8" (29mm) hose. Fits 1-1/2" (38mm) discharge.
68	Garden hose adapter – 1-1/8" (29mm) outlet to standard garden hose fitting. Fits 1-1/8" (29mm) discharge.
69	Double-stepped straight adapts 1-1/8" (29mm) outlet to 3/4" (19mm) or 5/8" (16mm) ID hose. Fits inside 1-1/8" (29mm) discharge. Not suitable for use with Rule-Mate pumps.

## Replacement Strainer Bases



Original replacement strainer base for your Rule Bilge Pump.

MODEL	DESCRIPTION
275	Round Rule pumps, 360 to 1100 GPH
276	Black Strainer Base for above models
277	Square Rule bilge pumps
278	Round Rule pumps, 1500 to 2000 GPH
279	Round Rule pumps, 2800 to 3700 GPH
1000864-26	Rule-Mate Bilge Pumps, 500 to 1100 GPH – Fits 2009 to current models
286	Rule-Mate Bilge Pumps, 1500 to 2000 GPH
99A	Plastic strainer with side-mounting steel bracket for Rule-Mate 500 to 1100 GPH
70	Stainless Steel Debris Strainer – Fits Rule pumps up to 3700 GPH

## Side Mount Bracket

Permits small Rule bilge pumps to be side mounted to a vertical stringer, bulkhead or transom. Use this bracket when bottom mounting is inconvenient or impossible. Simply remove the strainer from the pump, put the bracket in place and reassemble.



MODEL	DESCRIPTION
66	Round pumps, 360 to 1100 GPH

## 3-Way Fittings



Rule offers convenient "T" and "Y" fittings in popular hose sizes.

MODEL	DESCRIPTION
212	Y Fitting, 3/4" (19mm) hose
213	Y Fitting, 1-1/8" (29mm) hose
215	T Fitting, 3/4" (19mm) hose
216	T Fitting, 1-1/8" (29mm) hose

## Vented Loops

For use in bilge pump installations to prevent siphoning of water back into boat from through hull. Duckbill one-way valve system incorporated in the top of the loop allows air to enter the line when not in use, yet effectively seals as water passes through.



MODEL	DESCRIPTION
260	3/4" (19mm) Vented Loop
261	1-1/8" (29mm) Vented Loop

## Shower Drain Check Valve



MODEL	DESCRIPTION
M-1086	Check valve for shower drain box

# 02 Bilge Pumping Systems

AMAZON MANUAL DIAPHRAGM PUMPS



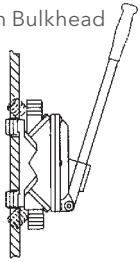
## Amazon Bulkhead

For mounting on bulkhead or deck.

- Repositionable ports and body offer an amazing 96 assembly variations.
- Corrosion-resistant materials throughout.
- Stainless steel handle supplied with mounting.

### MOUNTING POSITION

On Bulkhead



Port Positions



<b>FLOW</b>	12 GPM (45 LPM)
<b>SELF-PRIMING</b>	Up to 13' (4m)
<b>FITTING</b>	Connections for 1" (25mm) ID hose
<b>SIZE</b>	7" wide x 4-3/4" high x 8" deep (18cm x 12cm x 20cm)
<b>WEIGHT</b>	1.4lb (0.6kg)

MODEL	DESCRIPTION
29240-0000	Bulkhead Pump with detachable handle
29246-1000	Service Kit

For service and spare parts listing, see page 244.

## Bilge Strainers

Stop bilge debris from blocking inlet suction hose and reduce the risk of debris entering and blocking the pump.

- Non-return valve fitted to stop bilge water draining back when pumping stops.
- Repositionable ports allow horizontal, vertical or sideways hose attachments.
- Easily removable strainer plate for cleaning.
- Corrosion-resistant materials throughout.



<b>FITTING</b>	Connections for 3/4", 1" or 1-1/2" (19mm, 25mm or 38mm) ID hose
<b>SIZE</b>	6-3/4" long x 2-3/4" wide x 2-1/2" high (17cm x 7.2cm x 6cm)
<b>WEIGHT</b>	0.25lb (0.1kg)

MODEL	DESCRIPTION
29290-1020	Bilge Strainer for 3/4" (19mm) ID hose
29290-1000	Bilge Strainer for 1" (25mm) ID hose
29290-1010	Bilge Strainer for 1-1/2" (38mm) ID hose

## Amazon Universal

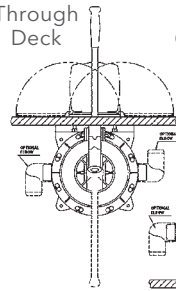
For mounting on bulkhead, through bulkhead, on deck or through deck.

- Unique safety feature allows operation from both inside and outside the cabin (with optional Through Deck Kit).
- Push-fit inlet and outlet elbows swivel through 360° to increase flexibility of installation still further.
- Corrosion-resistant materials throughout.
- Quick-release clamp ring gives fast access for blockage clearance.
- 1-1/2" (38mm) ports give excellent solids-handling ability for use with holding tanks.
- Stainless steel handle supplied with mounting clips and provision for safety lanyard.

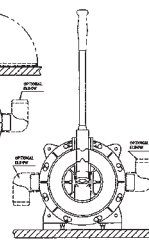


### MOUNTING POSITION

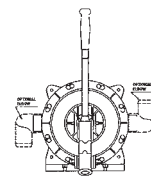
Through Deck



On Deck



On Bulkhead



<b>FLOW</b>	25 GPM (100 LPM)
<b>SELF-PRIMING</b>	Up to 10' (3m)
<b>FITTING</b>	Connections for 1-1/2" (38mm) ID hose
<b>SIZE</b>	9-1/2" wide x 9-1/2" high x 6" deep (24cm x 24cm x 15cm)
<b>WEIGHT</b>	2.9lb (1.2kg)

MODEL	DESCRIPTION
29270-0000	Universal Pump with detachable handle and one Push-Fit Elbow
29279-0000	Optional Through Deck Kit
29266-1000	Additional Push-Fit Elbow
29276-1000	Service Kit

For service and spare parts listing, see page 245.

## Amazon Thrudeck

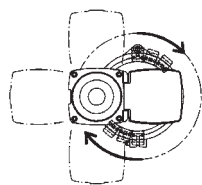
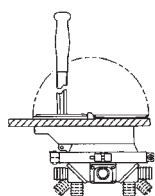
For mounting through deck or through bulkhead.

- The ultimate compact through deck pump with no less than 16 port variations relative to the body.
- Loosening just one screw lets you clear blockages or position the body anywhere through 360° relative to the handle position.
- Compact design and low profile allow installation in confined spaces.
- Sleekly styled Through Deck Kit and cover, with four mounting positions relative to the pump.
- Excellent solids-handling ability for use with holding tanks.
- Corrosion-resistant materials throughout.
- Stainless steel handle supplied with mounting clips and provision for safety lanyard.

### MOUNTING POSITION

Through Deck

360° Rotation



<b>FLOW</b>	13 GPM (50 LPM)
<b>SELF-PRIMING</b>	Up to 16' (5m)
<b>FITTING</b>	Connections for 1-1/2" (38mm) ID hose
<b>SIZE</b>	10" long x 4-5/16" wide x 4-1/2" deep (25cm x 11cm x 12cm)
<b>WEIGHT</b>	2.5lb (1.2kg)

MODEL	DESCRIPTION
29250-0000	1" (25mm) Thrudeck Pump with detachable handle and Through Deck Kit
29250-0010	1-1/2" (38mm) Thrudeck Pump with detachable handle and Through Deck Kit
29256-1000	Service Kit

For service and spare parts listing, see page 244.

## In-Line Non-Return Valves

Non-return valves fit in a pump's suction hose to aid priming and prevent backflow of water into the bilges.

- Available for three hose sizes – 3/4", 1" and 1-1/2" (19mm, 25mm and 38mm).
- Simply fit into suction hose.
- Corrosion-resistant materials throughout.



<b>FITTING</b>	Connections for 3/4", 1" or 1-1/2" (19mm, 25mm or 38mm) ID hose
<b>SIZE</b>	4-1/4" long x 2-1/8" wide x 2" high (10.8cm x 5.5cm x 5cm)
<b>WEIGHT</b>	0.25lb (0.1kg)

## Amazon Warrior

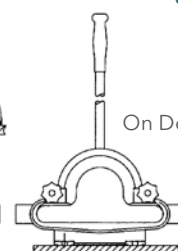
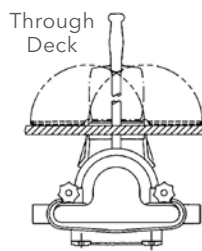
For mounting on deck or through deck (with optional Through Deck Kit and Bracket).

- Robust design particularly suited to workboats and larger leisure craft, or any installation where particularly heavy-duty use is anticipated.
- 29280-0100 model with swivel arms and captive wheel nuts meets DTI requirements for use on lifeboats.
- 18" (45cm) handle assists sustained high outputs of up to 35 GPM (135 LPM).
- Double diaphragm design gives maximum efficiency and added safety.
- 1-1/2" (38mm) ports give large solids-handling ability.
- Can function on one diaphragm in an emergency.
- Corrosion-resistant materials throughout.

### MOUNTING POSITION

Through Deck

On Deck



<b>FLOW</b>	35 GPM (135 LPM)
<b>SELF-PRIMING</b>	Up to 17.5' (5.5m)
<b>FITTING</b>	Connections for 1-1/2" (38mm) ID hose
<b>SIZE</b>	14" wide x 9-1/2" high x 8" deep (35.5cm x 24cm x 20cm)
<b>WEIGHT</b>	11lb (4.95kg)

MODEL	DESCRIPTION
29280-0000	Warrior Pump with detachable handle
29280-0100	Warrior Pump, lifeboat version
29279-0000	Optional Through Deck Kit
29289-0000	Under Deck Bracket (required for use with Through Deck Kit)
29286-1000	Service Kit

For service and spare parts listing, see page 245.

MODEL	DESCRIPTION
29295-1011	In-Line Non-Return Valve for 3/4" (19mm) ID hose
29295-1000	In-Line Non-Return Valve for 1" (25mm) ID hose
29295-1010	In-Line Non-Return Valve for 1-1/2" (38mm) ID hose

# 02 Bilge Pumping Systems

ELECTRIC DIAPHRAGM PUMPS



## 50880 Series Bilge Pump

Robust diaphragm pump suitable for bilge applications with a multi-positional pump head.

- 4.2 GPM (16 LPM) open flow output at 3' (1m) head.
- Allows mounting above wet bilges.
- Flexible installation.
- Compact and simple design.
- Filter-less.
- Quiet running.
- Capable of extensive dry running.
- Corrosion-resistant parts.
- Complies with USCG 183.410 and ISO 8846 MARINE (Ignition Protection).
- ISO 8849 MARINE (Bilge Pump Standard).



<b>FLOW</b>	4.2 GPM (16 LPM)
<b>SELF-PRIMING</b>	Up to 10' (3m) vertical lift
<b>FITTING</b>	Connections for 3/4" and 1" (19mm and 25mm) ID hose
<b>SIZE</b>	11.7" long x 5.9" wide x 4.4" high (29.7cm x 15cm x 11cm)
<b>WEIGHT</b>	6lb (2.7kg)

MODEL	DESCRIPTION
50880-1000	12V DC model, fuse 10 amp
50880-1100	24V DC model, fuse 5 amp
SK880	Service Kit

For service and spare parts listing, see page 231.

## PAR 36680

Fully serviceable, bilge and deck wash pump.

- Allows mounting above wet bilges.
- Diaphragm design allows extended dry running.
- Complete with Pumpgard™ strainer.
- Complies with USCG 183.410 and ISO 8846 MARINE (Ignition Protection).
- ISO 8849 MARINE (Bilge Pump Standard).



<b>FLOW</b>	5.5 GPM (21 LPM)
<b>SELF-PRIMING</b>	Up to 7' (2m) vertical lift
<b>FITTING</b>	Connections for 3/4" (19mm) ID hose
<b>SIZE</b>	7-5/8" long x 6-1/2" wide x 8-1/2" high (19.4cm x 16.5cm x 21.6cm)
<b>WEIGHT</b>	8lb (6kg)

MODEL	DESCRIPTION
36680-2000	12V DC model, fuse 10 amp
36680-2010	24V DC model, fuse 6 amp
43990-0062	Service Kit (new -2XXX models only)

For service and spare parts listing, see page 233.

## PAR 36600

Fully serviceable, bilge pump.

- Allows mounting above wet bilges.
- Diaphragm design allows extended dry running.
- Complete with Pumpgard™ strainer.
- Complies with USCG 183.410 and ISO 8846 MARINE (Ignition Protection).
- ISO 8849 MARINE (Bilge Pump Standard).



<b>FLOW</b>	7.9 GPM (30 LPM)
<b>SELF-PRIMING</b>	Up to 10' (3m) vertical lift
<b>FITTING</b>	Connections for 3/4" (19mm) ID hose
<b>SIZE</b>	8-5/8" long x 5-7/8" wide x 8-1/4" high (22cm x 15cm x 21cm)
<b>WEIGHT</b>	11lb (5kg)

MODEL	DESCRIPTION
36600-0000	12V DC model, fuse 15 amp
36600-0010	24V DC model, fuse 8 amp
30124-0000	Service Kit

For service and spare parts listing, see page 232.

## 31705 Series

- Self-priming up to 10' (3m).
- Run dry without damage.
- Smooth flow.
- Four piston, diaphragm pump.
- Powerful motor with thermal overload protection.
- Snap-in port fittings.



<b>FLOW</b>	4.3 GPM (16.3 LPM)
<b>SELF-PRIMING</b>	Up to 10' (3m) vertical lift
<b>FITTING</b>	Connections for 3/4" (19mm) ID hose
<b>SIZE</b>	7.73" long x 4.19" wide x 3.5" high (19.6cm x 10.6cm x 8.9cm)
<b>WEIGHT</b>	6.5lb (3kg)

MODEL	DESCRIPTION
31705-0092	12V DC model, fuse 15 amp
31705-0094	24V DC model, fuse 10 amp

For service and spare parts listing, see page 242.

## 31610 Series

- Self-priming up to 10' (3m).
- Run dry without damage.
- Smooth flow.
- Four piston, diaphragm pump.
- Powerful motor with thermal overload protection.
- Snap-in port fittings.



<b>FLOW</b>	3.5 GPM (13.2 LPM)
<b>SELF-PRIMING</b>	Up to 10' (3m) vertical lift
<b>FITTING</b>	Connections for 3/4" (19mm) ID hose
<b>SIZE</b>	7.73" long x 4.19" wide x 4.25" high (19.6cm x 10.6cm x 10.8cm)
<b>WEIGHT</b>	5lb (2.1kg)

MODEL	DESCRIPTION
31610-0092	12V DC model, fuse 10 amp
31610-0094	24V DC model, fuse 7 amp

For service and spare parts listing, see page 242.

## Bilge Pumpgard™ Strainer

- Strainer protects all electric diaphragm bilge pumps.
- Prevents unnecessary pump breakdowns caused by particles in the water.
- Transparent housing allows instant inspection.
- 46200-0000 model installs in-line between bilge pickup and pump.
- Quick, in-place cleaning of the 20# mesh stainless steel screen.



<b>FITTING</b>	Connections for 3/4" (19mm) ID hose
<b>SIZE</b>	4-3/4" long x 2-3/4" wide x 2-1/2" high (12cm x 7cm x 6cm)
<b>WEIGHT</b>	0.5lb (0.2kg)

MODEL	DESCRIPTION
46200-0000	Model for 3/4" (19mm) ID hose
46200-0010	3/4" (19mm) ID hose x plug-in 90°
18753-0020	Replacement 20# Mesh Filter

For service and spare parts listing, see page 230.

# 02 Bilge Pumping Systems

ELECTRIC FLEXIBLE IMPELLER PUMPS



## Water Puppy

Continuously rated duty bilge/sump pump.

- 6.33 GPM (23.83 LPM) output at 10' (3m) total head.
- Simple design means fewer wearing parts – all user serviceable.
- Complies with USCG 183.410 and ISO 8846 MARINE (Ignition Protection).
- ISO 8849 MARINE (Bilge Pump Standard).



<b>FLOW</b>	6.33 GPM (23.83 LPM)
<b>SELF-PRIMING</b>	Up to 4' (1.2m) vertical lift
<b>FITTING</b>	Connections for 1/2" (13mm) NPT male threads and for 1" (25mm) ID hose
<b>SIZE</b>	6-3/8" long x 4-3/4" wide x 3-1/2" high (16.2cm x 12.1cm x 8.9cm)
<b>WEIGHT</b>	6.5lb (37kg)

MODEL	DESCRIPTION
18660-0121	12V DC model, fuse 15 amp (Non CE)
6303-0001	Replacement Impeller
90061-0061	Service Kit

For service and spare parts listing, see page 226.

## Maxi Puppy 3000

High-flow, continuously rated bilge pump offering good discharge head.

- 11 GPM (44 LPM) output at 10' (3m) total head.
- Bilge debris presents no problem to this bronze bodied, flexible impeller design.
- Simple design means fewer wearing parts – all user serviceable.
- ISO 8846 MARINE (Ignition Protection).
- ISO 8849 MARINE (Bilge Pump Standard).



<b>FLOW</b>	11 GPM (44 LPM)
<b>SELF-PRIMING</b>	Up to 8' (2.4m) vertical lift
<b>FITTING</b>	Connections for 1/2" (13mm) BSP male threads and for 1" (25mm) ID hose. Do not use plumbing of less than 3/4" (19mm) internal diameter.
<b>SIZE</b>	8-1/2" long x 4-3/4" wide x 3-1/2" high (22cm x 12cm x 9cm)
<b>WEIGHT</b>	8lb (3.6kg)

MODEL	DESCRIPTION
23610-3003	12V DC model, fuse 20 amp
23610-3103	24V DC model, fuse 10 amp
7273-0003	Replacement Impeller
SK224-1	Service Kit

For service and spare parts listing, see page 227.

## Commercial Duty Water Puppy

High-flow, continuously rated bilge pump offering good discharge head.

- 7.83 GPM (29.5 LPM) output at 10' (3m) total head.
- Bilge debris presents no problem to this bronze bodied, flexible impeller design.
- Simple design means fewer wearing parts – all user serviceable.
- Complies with USCG 183.410 and ISO 8846 MARINE (Ignition Protection).
- ISO 8849 MARINE (Bilge Pump Standard).



<b>FLOW</b>	7.83 GPM (29.5 LPM)
<b>SELF-PRIMING</b>	Up to 8' (2.4m) vertical lift
<b>FITTING</b>	Connections for 1/2" (13mm) NPT male threads and for 1" (25mm) ID hose. Do not use plumbing of less than 3/4" (19mm) internal diameter.
<b>SIZE</b>	7-1/8" long x 4-3/4" wide x 3-1/2" high (18.1cm x 12.1cm x 8.9cm)
<b>WEIGHT</b>	8lb (2.7kg)

MODEL	DESCRIPTION
18670-0123	12V DC model, fuse 15 amp (Non CE)
18670-0943	24V DC model, fuse 10 amp (Non CE)
23680-4003	12V DC model, fuse 15 amp
23680-4103	24V DC model, fuse 10 amp
6303-0003	Replacement Impeller
90061-0061	Service Kit

For service and spare parts listing, see pages 226-227.

## Junior Puppy

High discharge head continuously rated bilge pump.

- 3.75 GPM (15 LPM) output at 10' (3m) total head.
- Bilge debris presents no problem to this bronze bodied, flexible impeller design.
- Simple design means fewer wearing parts – all user serviceable.
- ISO 8846 MARINE (Ignition Protection).
- ISO 8849 MARINE (Bilge Pump Standard).



<b>FLOW</b>	3.75 GPM (15 LPM)
<b>SELF-PRIMING</b>	Up to 5' (1.5m) vertical lift
<b>FITTING</b>	Connections for 3/8" (10mm) BSP male threads and for 3/4" (19mm) ID hose
<b>SIZE</b>	7-1/8" long x 4-1/4" wide x 3-1/4" high (18cm x 11cm x 9cm)
<b>WEIGHT</b>	6.6lb (3kg)

MODEL	DESCRIPTION
23670-4003	12V DC model, fuse 15 amp
23670-4103	24V DC model, fuse 10 amp
SK400-0023	Service Kit, includes 9200-0003 Nitrile Impeller

For service and spare parts listing, see page 227.



## Utility Puppy 2000

Continuous rated Utility Puppy 2000 offers high flow for bilge, deck wash and general purpose use, and ten minutes dry running.

- 8.33 GPM (32 LPM) output at 10' (3m) total head.
- Dry running for twenty minutes after initial use.
- Bilge debris presents no problem to this bronze bodied, flexible impeller design.
- Simple design means fewer wearing parts – all user serviceable.
- Complies with USCG 183.410 and ISO 8846 MARINE (Ignition Protection).
- ISO 8849 MARINE (Bilge Pump Standard).



<b>FLOW</b>	8.33 GPM (32 LPM)
<b>SELF-PRIMING</b>	Up to 4' (1.2m) vertical lift
<b>FITTING</b>	Connections for 3/4" (19mm) male threads
<b>SIZE</b>	7-1/2" long x 4-3/4" wide x 3-1/2" high (19cm x 12cm x 9cm)
<b>WEIGHT</b>	9.7lb (3.4kg)

MODEL	DESCRIPTION
23920-2403	12V DC BSP model, fuse 15 amp
23290-2503	24V DC BSP model, fuse 10 amp
23920-9403	12V DC NPT model, fuse 15 amp
23920-9503	24V DC NPT model, fuse 10 amp
SK416-0003	Service Kit

For service and spare parts listing, see page 227.

## Utility Puppy 3000

Continuous rated heavy-duty Utility Puppy 3000 offers very high flow for bilge, deck wash and general purpose use, and ten minutes dry running.

- 11.33 GPM (43 LPM) output at 10' (3m) total head.
- Dry running for ten minutes after initial use.
- Mechanical seal for extra long life.
- Bilge debris presents no problem to this bronze bodied, flexible impeller design.
- Simple design means fewer wearing parts – all user serviceable.
- Complies with USCG 183.410 and ISO 8846 MARINE (Ignition Protection).
- ISO 8849 MARINE (Bilge Pump Standard).



<b>FLOW</b>	11.33 GPM (43 LPM)
<b>SELF-PRIMING</b>	Up to 8' (2.4m) vertical lift
<b>FITTING</b>	Connections for 3/4" (19mm) male threads
<b>SIZE</b>	8-1/2" long x 4-3/4" wide x 3-1/2" high (22cm x 12cm x 9cm)
<b>WEIGHT</b>	8lb (3.6kg)

MODEL	DESCRIPTION
23920-2213	12V DC BSP model, fuse 15 amp
23920-2313	24V DC BSP model, fuse 10 amp
23920-9213	12V DC NPT model, fuse 25 amp
23920-9313	24V DC NPT model, fuse 15 amp
SK415-0113	Service Kit

For service and spare parts listing, see page 227.

## Mini Puppy

Compact, continuously rated low-flow pump.

- 1.38 GPM (5.5 LPM) output at 10' (3m) total head.
- Small bilge debris presents no problem to this brass bodied pump.
- Simple design means fewer wearing parts – all user serviceable.
- ISO 8846 MARINE (Ignition Protection).
- ISO 8849 MARINE (Bilge Pump Standard).



<b>FLOW</b>	1.38 GPM (5.5 LPM)
<b>SELF-PRIMING</b>	Up to 5' (1.5m) vertical lift
<b>FITTING</b>	Connections for 3/8" (10mm) BSP male threads and for 3/4" (19mm) ID hose
<b>SIZE</b>	6" long x 4-3/4" wide x 3-1/2" high (15cm x 12cm x 8cm)
<b>WEIGHT</b>	2lb (0.9kg)

MODEL	DESCRIPTION
23620-4003	12V DC model, fuse 5 amp
23620-4103	24V DC model, fuse 3 amp
SK374-0003	Service Kit, includes 1414-0003 Nitrile Impeller

For service and spare parts listing, see page 227.

# 02 Bilge Pumping Systems

ENGINE DRIVEN, ELECTRIC CLUTCH PUMPS



## 18330 Series Electric Clutch Pumps

This manually activated clutch pump offers all the benefits of flexible impeller pumps with a high capacity flow rate and horizontally oriented ports.



- 78.5 GPM (314 LPM) at 10' (3m) total head @ 1750 rpm.
- Mechanical face type shaft seal.
- Nitrile impeller.
- Two pulley options to accommodate either A or B size belts.
- Two single-row shaft ball bearings.

<b>FLOW</b>	78.5 GPM (314 LPM)
<b>SELF-PRIMING</b>	Up to 15' (4.5m) vertical lift
<b>FITTING</b>	2" (51mm) NPT
<b>SIZE</b>	12-7/16" long x 5-15/16" wide x 5-3/4" high (31.6cm x 15cm x 14.6cm), excluding pulley. Pulley diameter is 7" (17.8cm).
<b>WEIGHT</b>	24lb (11kg)

MODEL	DESCRIPTION
18330-0000	12V DC pump with double A groove pulley
18330-0001	24V DC pump with double A groove pulley
18330-0040	12V DC pump with single B groove pulley
18330-0041	24V DC pump with single B groove pulley

For service and spare parts listing, see page 216.

## 11870 Series Electric Clutch Pumps

This electrically activated clutch pump offers all the benefits of flexible impeller pumps with a substantial flow rate and horizontally oriented ports. The electric clutch offers convenient remote activation.



- 58.75 GPM (235 LPM) at 10' (3m) total head @ 1750 rpm.
- Mechanical face type shaft seal.
- Nitrile impeller.
- Two pulley options to accommodate either A or B size belts.
- Double row ball bearing.

<b>FLOW</b>	58.75 GPM (235 LPM)
<b>SELF-PRIMING</b>	Up to 15' (4.5m) vertical lift
<b>FITTING</b>	1-1/4" (32mm) NPT
<b>SIZE</b>	8-3/16" long x 5-7/8" wide x 5-1/2" high (20.8cm x 14.9cm x 14cm), excluding pulley. Pulley diameter is 7" (17.8cm).
<b>WEIGHT</b>	18lb (8kg)

MODEL	DESCRIPTION
11870-0005	12V DC pump with double A groove pulley
11870-0006	24V DC pump with double A groove pulley
11870-0045	12V DC pump with single B groove pulley
11870-0046	24V DC pump with single B groove pulley
11870-0007	32V DC pump with double A groove pulley

For service and spare parts listing, see page 216.

## 50580 Series Electric Clutch Pumps

Heavy-duty bilge and deck wash pump, belt driven from the engine, for leisure and commercial craft.



- 24.5 GPM (81.33 LPM) at 10' (3m) total head @ 1500 rpm.
- Bilge debris presents no problems to this robust, bronze bodied flexible impeller pump.
- Can be remotely controlled from outside the engine room, and can be automatically shut off by fitting a vacuum cut-off switch.
- Neoprene impeller is fitted as standard.

	NORTH AMERICAN	EUROPEAN
<b>FLOW</b>	24.5 GPM (81.33 LPM)	24.5 GPM (81.33 LPM)
<b>SELF-PRIMING</b>	Up to 15' (4.5m) vertical lift	Up to 15' (4.5m) vertical lift
<b>FITTING</b>	1" (25mm) NPT	1" (25mm) BSP internal thread
<b>SIZE</b>	6-1/2" long x 5" wide x 7" high (16cm x 12cm x 17.8cm)	6-1/2" long x 5" wide x 7" high (16cm x 12cm x 17.8cm)
<b>WEIGHT</b>	11lb (5kg)	11lb (5kg)

MODEL	DESCRIPTION
50580-9001	12V DC 2A pulley E/M clutch, fuse 5 amp
50580-9101	24V DC 2A pulley E/M clutch, fuse 2.5 amp
50580-9201	12V DC 1B pulley E/M clutch, fuse 5 amp
50580-9301	24V DC 1B pulley E/M clutch, fuse 2.5 amp

For service and spare parts listing, see page 217.

## 50270 Series Electric Clutch Pumps

Very heavy-duty bilge and deck wash pump, belt driven from the engine, for leisure and commercial craft.

- 68.33 GPM (272.5 LPM) at 10' (3m) total head @ 1500 rpm.
- Bilge debris presents no problems to this robust, bronze bodied flexible impeller pump.
- Can be remotely controlled from outside the engine room and can be automatically shut off by fitting a vacuum cut-off switch.
- Neoprene impeller is fitted as standard.



<b>FLOW</b>	68.33 GPM (272.5 LPM)
<b>SELF-PRIMING</b>	Up to 15' (4.5m) vertical lift
<b>FITTING</b>	2" (51mm) BSP internal thread, optional 2" (51mm) flange
<b>SIZE</b>	10" long x 7" wide x 7" high (26.4cm x 17.8cm x 17.8cm)
<b>WEIGHT</b>	27lb (12.2kg)

MODEL	DESCRIPTION
50270-X011	12V DC 2A pulley E/M clutch, fuse 5 amp
50270-X111	24V DC 2A pulley E/M clutch, fuse 2.5 amp
50270-X211	12V DC 1B pulley E/M clutch, fuse 5 amp
50270-X311	24V DC 1B pulley E/M clutch, fuse 2.5 amp
X=0, flanged ports; X=2, BSP ports	
For service and spare parts listing, see page 217.	

## 50220 Series Electric Clutch Pumps

Very heavy-duty bilge, deck wash and firefighting pump, belt driven from the engine, for leisure and commercial craft

- 48.75 GPM (195 LPM) at 10' (3m) total head @ 1500 rpm.
- Bilge debris presents no problems to this robust, bronze bodied flexible impeller pump.
- Can be remotely controlled from outside the engine room, and can be automatically shut off by fitting a vacuum cut-off switch.
- Neoprene impeller is fitted as standard.



<b>FLOW</b>	48.75 GPM (195 LPM)
<b>SELF-PRIMING</b>	Up to 15' (4.5m) vertical lift
<b>FITTING</b>	1-1/2" (38mm) flange
<b>SIZE</b>	9-1/2" long x 6" wide x 7" high (23.9cm x 15.3cm x 17.8cm)
<b>WEIGHT</b>	25lb (11.2kg)

MODEL	DESCRIPTION
50220-0011	12V DC 2A pulley E/M clutch, fuse 5 amp
50220-0111	24V DC 2A pulley E/M clutch, fuse 2.5 amp
50220-0211	12V DC 1B pulley E/M clutch, fuse 5 amp
50220-0311	24V DC 1B pulley E/M clutch, fuse 2.5 amp
For service and spare parts listing, see page 217.	

## 50200 Series Electric Clutch Pumps

Very heavy-duty bilge, deck wash and firefighting pump, belt driven from the engine, for leisure and commercial craft.

- 48.75 GPM (195 LPM) at 10' (3m) total head @ 1500 rpm.
- Bilge debris presents no problems to this robust, bronze bodied flexible impeller pump.
- Can be remotely controlled from outside the engine room, and can be automatically shut off by fitting a vacuum cut-off switch.
- Neoprene impeller is fitted as standard.



<b>FLOW</b>	48.75 GPM (195 LPM)
<b>SELF-PRIMING</b>	Up to 15' (4.5m) vertical lift
<b>FITTING</b>	1-1/2" (38mm) BSP internal thread
<b>SIZE</b>	9-1/2" long x 6" wide x 7" high (23.9cm x 15.3cm x 17.8cm)
<b>WEIGHT</b>	25lb (11.2kg)

MODEL	DESCRIPTION
50200-2011	12V DC 2A pulley E/M clutch, fuse 5 amp
50200-2111	24V DC 2A pulley E/M clutch, fuse 2.5 amp
50200-2211	12V DC 1B pulley E/M clutch, fuse 5 amp
50200-2311	24V DC 1B pulley E/M clutch, fuse 2.5 amp
50200-9303	24V DC 1B pulley E/M clutch, fuse 3 amp
For service and spare parts listing, see page 217.	

# 02 Bilge Pumping Systems

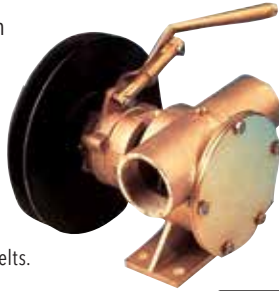
ENGINE DRIVEN, MANUAL CLUTCH PUMPS



## 51200 Series Manual Clutch Pumps

Heavy-duty bilge and deck wash pump, belt driven from the engine, for leisure and commercial craft.

- 48.75 GPM (195 LPM) at 10' (3m) total head @ 1500 rpm.
- Bilge debris presents no problems to this robust, bronze bodied flexible impeller pump.
- Dependable manual control will operate even under the toughest conditions.
- Clutch pulley will accommodate both A and B type pulley belts.
- Easily serviced and maintained.
- Neoprene impeller is fitted as standard, optional nitrile impeller available.



<b>FLOW</b>	48.75 GPM (195 LPM)
<b>SELF-PRIMING</b>	Up to 15' (4.5m) vertical lift
<b>FITTING</b>	1-1/2" (38mm) BSP internal thread
<b>SIZE</b>	9-1/2" long x 6" wide x 9" high (24.4cm x 15cm x 22.6cm)
<b>WEIGHT</b>	18lb (8kg)

MODEL	DESCRIPTION
51200-2011	Manual clutch
For service and spare parts listing, see page 214.	

## 51200-9013 Manual Clutch Pumps

This manually activated clutch pump offers all the benefits of flexible impeller pumps with a substantial flow rate.

- 48.75 GPM (195 LPM) at 10' (3m) total head @ 1500 rpm.
- Mechanical face type shaft seal.
- Nitrile impeller.
- Clutch pulley accommodates both A and B size belts.
- Double row ball bearing.

<b>FLOW</b>	48.75 GPM (195 LPM)
<b>SELF-PRIMING</b>	Up to 15' (4.5m) vertical lift
<b>FITTING</b>	1-1/2" (38mm) NPT
<b>SIZE</b>	9-5/8" long x 5-15/16" wide x 8-7/8" high (24.5cm x 15.1cm x 22.5cm), excluding pulley. Pulley diameter is 7" (17.8cm).
<b>WEIGHT</b>	18lb (8kg)

MODEL	DESCRIPTION
51200-9013	Pump with nitrile impeller, full cam and mechanical seal
For service and spare parts listing, see page 214.	

## 51270 Series Manual Clutch Pumps

Very heavy-duty bilge, deck wash and firefighting pump, belt driven from the engine, for leisure and commercial craft.

- 68.33 GPM (272.5 LPM) at 10' (3m) total head @ 1500 rpm.
- Bilge debris presents no problems to this robust, bronze bodied flexible impeller pump.
- Dependable manual control will operate even under the toughest conditions.
- Clutch pulley will accommodate both A and B type pulley belts.
- Easily serviced and maintained.
- Neoprene impeller is fitted as standard.



<b>FLOW</b>	68.33 GPM (272.5 LPM)
<b>SELF-PRIMING</b>	Up to 15' (4.5m) vertical lift
<b>FITTING</b>	2" (51mm) BSP internal thread, optional 2" (51mm) flange
<b>SIZE</b>	12" long x 7" wide x 9" high (31.6cm x 17cm x 22.4cm)
<b>WEIGHT</b>	25lb (11kg)

MODEL	DESCRIPTION
51270-0011	Manual clutch, flanged ports
51270-2011	Manual clutch, BSP ports
For service and spare parts listing, see page 214.	

## 51270-9013 Manual Clutch Pumps

This manually activated clutch pump offers all the benefits of flexible impeller pumps with a high capacity flow rate and horizontally oriented ports. Very heavy-duty bilge, deck wash and firefighting pump, belt driven from the engine, for leisure and commercial craft.

- 68.33 GPM (272.5 LPM) at 10' (3m) total head @ 1500 rpm.
- Mechanical face type shaft seal.
- Nitrile impeller.
- Clutch pulley accommodates both A and B size belts.
- Two single-row shaft ball bearings.

<b>FLOW</b>	68.33 GPM (272.5 LPM)
<b>SELF-PRIMING</b>	Up to 15' (4.5m) vertical lift
<b>FITTING</b>	2" (51mm) NPT
<b>SIZE</b>	12-7/16" long x 5-15/16" wide x 8-7/8" high (31.6cm x 15.1cm x 22.5cm), excluding pulley. Pulley diameter is 7" (17.8cm).
<b>WEIGHT</b>	24lb (11kg)

MODEL	DESCRIPTION
51270-9013	Pump with nitrile impeller, full cam and mechanical seal
For service and spare parts listing, see page 214.	

## 51580 Series Manual Clutch Pumps

Heavy-duty bilge and deck wash pump, belt driven from the engine, for leisure and commercial craft.

- 24.5 GPM (81.33 LPM) at 10' (3m) total head @ 1500 rpm.
- Bilge debris presents no problems to this robust, bronze bodied flexible impeller pump.
- Dependable manual control will operate even under the toughest conditions.
- Clutch pulley will accommodate both A and B type pulley belts.
- Easily serviced and maintained.
- Neoprene impeller is fitted as standard.



<b>FLOW</b>	24.5 GPM (81.33 LPM)
<b>SELF-PRIMING</b>	Up to 15' (4.5m) vertical lift
<b>FITTING</b>	1" (25mm) BSP internal thread
<b>SIZE</b>	8" long x 5" wide x 7-1/2" high (19.8cm x 12cm x 18.9cm)
<b>WEIGHT</b>	11lb (5kg)

MODEL	DESCRIPTION
51580-2001	Manual clutch

## 51580-9001 Manual Clutch Pumps

This manually activated clutch pump offers all the benefits of flexible impeller pumps with a moderate flow rate and horizontally oriented ports.

- 24.5 GPM (81.33 LPM) at 10' (3m) total head @ 1500 rpm.
- Mechanical face type shaft seal.
- Neoprene impeller.
- Clutch pulley accommodates both A and B size belts.
- Spaced sealed for life bearings.

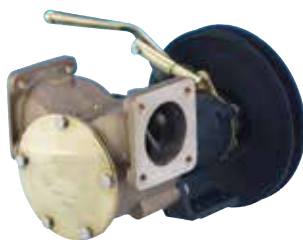
<b>FLOW</b>	24.5 GPM (81.33 LPM)
<b>SELF-PRIMING</b>	Up to 15' (4.5m) vertical lift
<b>FITTING</b>	1" (25mm) NPT
<b>SIZE</b>	7-13/16" long x 4-3/4" wide x 7-9/16" high (19.8cm x 12.1cm x 19.2cm), excluding pulley. Pulley diameter is 6" (15.2cm).
<b>WEIGHT</b>	9lb (4kg)

MODEL	DESCRIPTION
51580-9001	Pump with manual clutch

## 51220 Series Manual Clutch Pumps

Very heavy-duty bilge, deck wash and firefighting pump, belt driven from the engine, for leisure and commercial craft.

- 45.42 GPM (195 LPM) at 10' (3m) total head @ 1500 rpm.
- Self-priming up to 15' (4.5m) vertical lift.
- Bilge debris presents no problems to this robust, bronze bodied flexible impeller pump.
- Dependable manual control will operate even under the toughest conditions.
- Clutch pulley will accommodate both A and B type pulley belts.
- Easily serviced and maintained.
- Neoprene impeller is fitted as standard.



<b>FLOW</b>	45.42 GPM (195 LPM)
<b>SELF-PRIMING</b>	Up to 15' (4.5m) vertical lift
<b>FITTING</b>	1-1/2" (38mm) flange
<b>SIZE</b>	11-1/2" long x 6" wide x 9" high (29.2cm x 15.2cm x 22.6cm)
<b>WEIGHT</b>	22lb (10kg)

MODEL	DESCRIPTION
51220-0011	Manual clutch

For service and spare parts listing, see page 214.

## 6590-0005 Manual Clutch Pumps

This manually activated clutch pump offers all the benefits of flexible impeller pumps with a substantial flow rate and horizontally oriented ports.

- 58.92 GPM (235 LPM) at 10' (3m) total head @ 1750 rpm.
- Nitrile impeller.
- Clutch pulley accommodates a B size belt.
- Double row ball bearing.



<b>FLOW</b>	58.92 GPM (235 LPM)
<b>SELF-PRIMING</b>	Up to 10' (3m) vertical lift
<b>FITTING</b>	1-1/4" (32mm) NPT
<b>SIZE</b>	8-1/16" long x 5-1/2" wide x 8-1/8" high (20.5cm x 14cm x 20.6cm), excluding pulley. Pulley diameter is 6" (15.2cm).
<b>WEIGHT</b>	18lb (8kg)

MODEL	DESCRIPTION
6590-0005	Pump with nitrile impeller, full cam and mechanical seal

For service and spare parts listing, see page 172.

## 02 Bilge Pumping Systems

JABSCO ACCESSORIES



### Y-Valve



Robust Y-Valve for use in bilge applications. Allows two bilge sections to be emptied by one pump.

- Rotating ports allow routing of hoses onto the valve from almost any direction.
- Can be operated through bulkhead by use of optional handle extension.
- Waste and corrosion-resistant construction throughout.
- Can be padlocked.

<b>FITTING</b>	Connections for two 1-1/2" (38mm) ports and extra 1" (25mm) straight inlet port
<b>SIZE</b>	7-5/8" long x 7-1/4" wide x 4-5/8" high (20cm x 19cm x 12cm)
<b>WEIGHT</b>	2lb (0.9kg)

MODEL	DESCRIPTION
45490-1000	Y-Valve
45500-1000	Handle Extension Kit
45493-0000	Replacement Handle
18753-0661	Replacement Ports Kit
45488-0000	Service Kit

### Bilge Strainers with Non-Return Valves



Stop bilge debris from blocking inlet suction hose and reduce the risk of debris entering and blocking the pump.

- Non-return valve fitted to stop bilge water from draining back when pumping stops.
- Repositionable ports allow horizontal, vertical or sideways hose attachments.
- Easily removable strainer plate for cleaning.
- Corrosion-resistant materials throughout.

<b>FITTING</b>	Connections for 3/4", 1" or 1-1/2" (19mm, 25mm or 38mm) ID hose
<b>SIZE</b>	6-3/4" long x 2-3/4" wide x 2-1/2" high (17cm x 7.2cm x 6cm)
<b>WEIGHT</b>	0.25lb (0.1kg)

MODEL	DESCRIPTION
29290-1020	Bilge Strainer for 3/4" (19mm) ID hose
29290-1000	Bilge Strainer for 1" (25mm) ID hose
29290-1010	Bilge Strainer for 1-1/2" (38mm) ID hose

## Vacuum Switch

Protects any 12V or 24V DC electric or electromagnetic clutch bilge pump up to 15 amp from dry running drainage – especially flexible impeller designs.

- Manual start, automatic stop – remote start possible.
- Vacuum sensor shuts off power to pump motor or clutch when bilges are clear.
- Simply mounts between bilges and pump.
- Some Jabsco pumps have integral mounting point.



<b>FITTING</b>	Connection for 1/4" (6mm) female thread and supplied with 1/4" (6mm) close nipple. Suitable for 12 and 24 volt DC; 220 volt AC, up to 15 amp; 110 volt AC up to 10 amp. For remote start, install 15 amp push button next to Master Switch.
<b>SIZE</b>	4" diameter x 3-1/2" high (11cm x 9cm)
<b>WEIGHT</b>	1.5lb (0.7kg)

<b>MODEL</b>	<b>DESCRIPTION</b>
4732-0000	Vacuum Switch



### WARNING

Jabsco Vacuum Switch is not ignition protected.  
Do not install where flammable vapors are present.

# 03 Livewell/Baitwell Pumps

INTRODUCTION



## Livewell/Baitwell Pumps

The Livewell/Baitwell Pumps are built on Rule's unsurpassed quality and leadership in pump design and technology. The innovative design includes many new and exciting features including: a quick, one-hand push button motor cartridge removal system, patented rotatable base that allows you to position the discharge nozzle at any location and threaded nylon hose barb attachments which allow for various hose mounting options.

Other features include a built-in dual port option, water-cooled housing and positive snap motor cartridge locking mechanism.

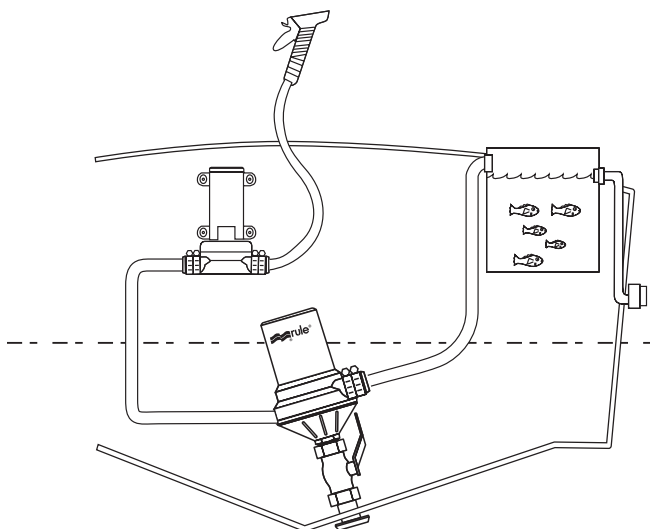
Pumps are available in 500 GPH (1895 LPH), 800 GPH (3027 LPH) and 1100 GPH (4162 LPH), plus 1600 GPH (6056 LPH) non-cartridge models, and are fitted for transom or seacock mounting options.

## Tips on Selecting a Livewell Pump

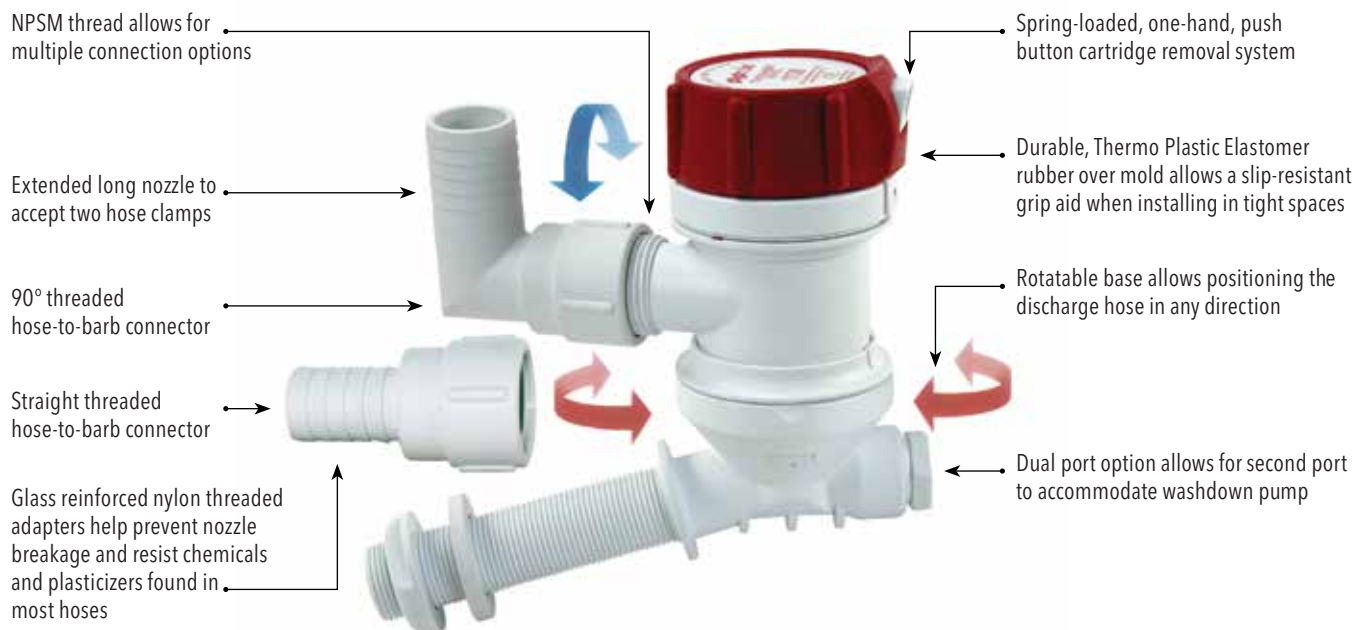
- Always select a pump that will deliver enough water to replace livewell water every 6 to 10 minutes.
- Bigger is not better – too much pump capacity could lead to airlocks and damage delicate bait.
- Mount the pump as low and close to the hull as possible.
- "C" series with 4" (102mm) angled pickup tube for through hull applications.
- "STC" series with 4-3/4" (121mm) straight pickup tube for through hull applications.
- "FC" series 500, 800, and 1100 GPH models with 3/4" (19mm) and 1600 GPH model with 1" (25mm) tapered thread pickup tube for seacock applications.

### NOTE

High-speed water intake scoops can damage the pump and possibly flood the hull.







CAPACITY	HEAD HEIGHT			DISCHARGE OUTLET
	0'	3.35' (1m)	6.7' (2m)	
500 GPH (1895 LPH)	500 GPH (1895 LPH)	340 GPH (1286 LPH)	100 GPH (378 LPH)	3/4" (19mm)
800 GPH (3027 LPH)	800 GPH (3027 LPH)	490 GPH (1854 LPH)	320 GPH (1211 LPH)	3/4" (19mm)
1100 GPH (4162 LPH)	1100 GPH (4162 LPH)	790 GPH (2989 LPH)	480 GPH (1816 LPH)	1-1/8" (29mm)
1600 GPH (6056 LPH)	1600 GPH (6056 LPH)	1200 GPH (4542 LPH)	760 GPH (2876 LPH)	1-1/8" (29mm)

### Tournament Series™ Bronze Base 1600 GPH (6054 LPH) Livewell Pump

Designed for the toughest applications, the Tournament Series™ Pump is the highest capacity livewell pump in today's market. Pump features a bronze base, anti-airlock feature and a heavy-duty long-life motor. 1" (25mm) NPT female intake and 1-1/8" (29mm) discharge outlet. 12 volt DC.



<b>FLOW</b>	1600 GPH (6054 LPH)
<b>DISCHARGE OUTLET</b>	1-1/8" (29mm)
<b>VOLTS</b>	12V DC
<b>INTAKE</b>	1" (25mm) NPT female intake

MODEL	DESCRIPTION
209B	1600 GPH (6054 LPH) bronze base

### Tournament Series™ Dual Port 1600 GPH (6054 LPH) Livewell Pump

Engineered to withstand the rigors of tournament fishing, the Tournament Series™ Pump is the highest capacity livewell pump in today's market.

This model features a glass filled nylon dual port base for optional washdown pump connection, anti-airlock feature and a heavy-duty long-life motor. The pump has a 1" (25mm) NPT female intake, 1-1/8" (29mm) discharge outlet and a 1/2" (6mm) NPT threaded port for washdown installation. 12 volt DC.



<b>FLOW</b>	1600 GPH (6054 LPH)
<b>DISCHARGE OUTLET</b>	1-1/8" (29mm)
<b>VOLTS</b>	12V DC
<b>INTAKE</b>	1" (25mm) NPT female intake

MODEL	DESCRIPTION
209FDP	1600 GPH (6054 LPH) dual port

# 03 Livewell/Baitwell Pumps

LIVEWELL / AERATOR



## Gentle-Flow™ Oxygenator



Designed with the patented infuser technology and a Gentle-Flow directional discharge, the Rule Gentle-Flow™ Oxygenator is the ideal system for keeping bait and catch alive and healthy. The patented infuser technology introduces air into the base of the livewell pump through the air control center, producing millions of micro-fine bubbles. Because the bubbles are so small, they remain suspended in the water longer, providing more aeration to your delicate bait and catch. Designed to fit almost any custom tank. Kits come complete with a pump, directional discharge, intake strainer, hose and intake valve.

MODEL	DESCRIPTION
255	700 GPH (2650 LPH) ideal for 25lbs (11kg) of bait
256	1100 pump – up to 50lbs (22kg) of bait

## Fish Box Evacuation Pump



The new Fish Box Evacuation Pump is perfect for emptying a fish box, easily passing debris such as bait residue, particles of ice and fish scales that are often left after a day of fishing.

- Self-priming up to 10' (3m).
- Capable of extensive dry running.
- Compact and simple design.
- Quiet running.
- Flexible Installation.
- Corrosion-resistant parts.
- Complies with USCG 183.410 and ISO 8846 MARINE (Ignition Protection).
- ISO 8849 MARINE (Bilge Pump Standard).

<b>FLOW</b>	5 GPM (19 LPM)
<b>FITTING</b>	Connections for 1-1/2" (38mm)
<b>SIZE</b>	10.9" long x 6.1" wide x 4.4" high (27.7cm x 15.5cm x 11.1cm)
<b>WEIGHT</b>	6lb (2.7kg)
<b>VOLTS</b>	12V DC to 24V DC
<b>INTAKE</b>	1-1/2" (38mm) NPT female intake

MODEL	DESCRIPTION
50900-1000	12V DC model, fuse 10 amp
50900-1100	24V DC model, fuse 5 amp
SK900	Service Kit

## "C" Series Tournament Series™ Angled Inlet



For through hull applications. Angled 4" (102mm) pickup tube. 12 volt DC.

MODEL	DESCRIPTION
401C	500 GPH (1893 LPH), 3/4" (19mm) discharge hose, fuse 2.5 amp
403C	800 GPH (3028 LPH), 3/4" (19mm) discharge hose, fuse 5 amp
405C	1100 GPH (3785 LPH), 1-1/8" (29mm) discharge hose, fuse 6 amp

## "STC" Series Tournament Series™ Straight Inlet



For through hull applications. Straight 4-3/4" (121mm) pickup tube. 12 volt DC.

MODEL	DESCRIPTION
401STC	500 GPH (1893 LPH), 3/4" (19mm) discharge hose, fuse 2.5 amp
403STC	800 GPH (3028 LPH), 3/4" (19mm) discharge hose, fuse 5 amp
405STC	1100 GPH (3785 LPH), 1-1/8" (29mm) discharge hose, fuse 6 amp

## Replacement Motor Cartridges

Replacement Motor Modules for all Tournament Series™ Aerator Pumps.

### NOTE

Not to be used on the Pro-Series™.



MODEL	DESCRIPTION
45DR	500 GPH (1893 LPH), fuse 2.5 amp
46DR	800 GPH (3028 LPH), fuse 5 amp
47DR	1100 GPH (4162 LPH), fuse 6 amp. Only suitable for model numbers 405C, 405STC and 405FC.

## "FC" Series Tournament Series™ Seacock Inlet



For seacock applications. 3/4" (19mm) NPT intake with tapered threads. 12 volt DC.

MODEL	DESCRIPTION
401FC	500 GPH (1893 LPH), 3/4" (19mm) discharge hose, fuse 2.5 amp
403FC	800 GPH (3028 LPH), 3/4" (19mm) discharge hose, fuse 5 amp
405FC	1100 GPH (4162 LPH), 1-1/8" (29mm) discharge hose, fuse 6 amp

## Fittings



MODEL	DESCRIPTION	FITS
291	3/4" 90° Hose Barb Elbow	500/800 GPH
292	1-1/8" 90° Hose Barb Elbow	1100 GPH
293	3/4" Straight Hose Barb Elbow	500/800 GPH
294	1-1/8" Straight Hose Barb Elbow	1100 GPH

# 03 Livewell/Baitwell Pumps

LIVEWELL / AERATOR



## Rule Oxygenator Systems

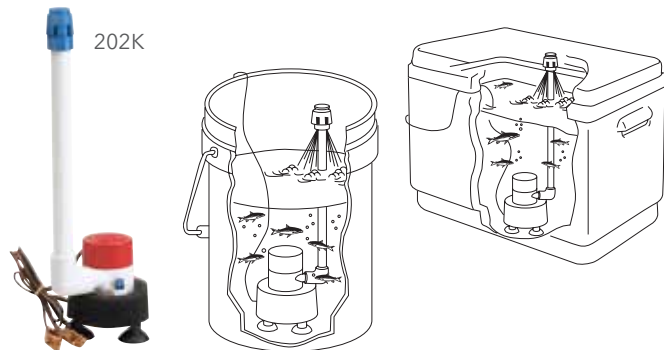
High-performance, live-bait aerators keep bait and catch alive and healthy in a smaller amount of water. Air is infused with the water at the pump impeller, then millions of micro-fine bubbles are produced and sent gently out of the pump into the livewell. Because the bubbles are so fine, they remain suspended in the water longer and more aeration is provided for your delicate bait and catch. 12 volt DC.

MODEL	DESCRIPTION
250	500 GPH Oxygenator System – ideal for 10lbs (5kg) of bait
251	800 GPH Oxygenator System – ideal for 25lbs (11kg) of bait
252	1100 GPH Oxygenator System – ideal for 50lbs (23kg) of bait



## Portable Aerator Kit

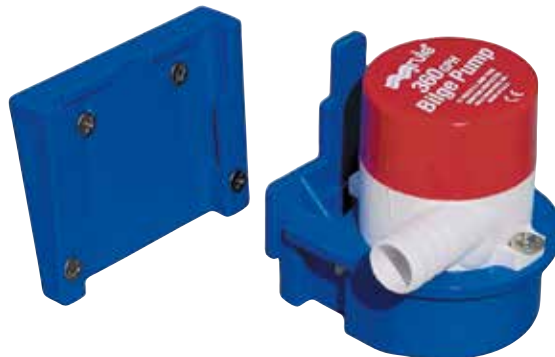
Aerates from 5 to 30 gallons (19 to 113L) of water. The Rule 360 GPH (1741 LPH) pump attaches easily to any non-porous surface. 9" (22.9cm) long spray tube can be custom cut to fit into any container. A fully adjustable spray head increases or reduces flow of water. Foam filtration system keeps water sparkling clean. The kit also includes battery clips for easy attachment to your 12 volt power source. 12 volt DC.



## Transom Mounted Livewell Pumps

Rule introduces a lineup of Transom Mounted Aerator Pumps. This allows the fisherman to have professional aeration of his livewell without the need to install a pump through the hull. The unique "quick-release" pump with strainer base assembly snaps easily into the transom bracket provided. At the end of the day, the pump can be removed for storage. Pumps feature 6' (1.8m) wire leads. 12 volt DC.

MODEL	DESCRIPTION
24TB	360 GPH (1363 LPH)
25DTB	500 GPH (1893 LPH)
20RTB	800 GPH (3028 LPH)
27DTB	1100 GPH (4162 LPH)
265	Bracket only



## Replacement Motor Cartridges for Original Pro-Series™ Livewell Pumps



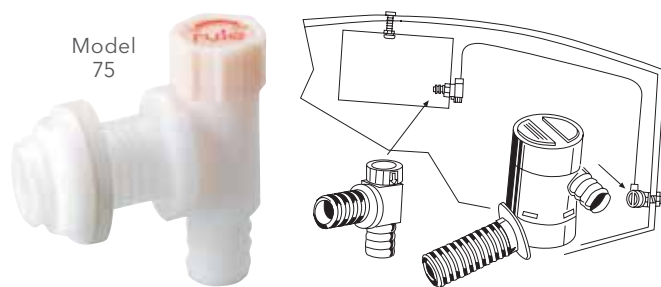
Replacement motor cartridges for Rule Cartridge Bilge Pumps and Livewell/Aerator Pumps. 12 volt DC.

### NOTE

Not to be used with Tournament Series™.

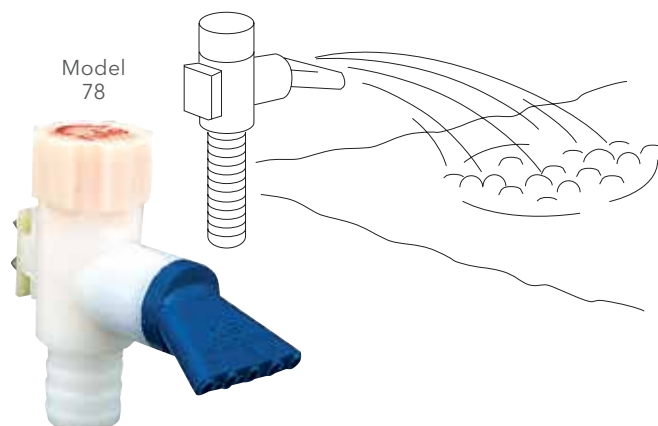
MODEL	DESCRIPTION
25DR	Replacement Motor Cartridge, 500 GPH (1893 LPH)
20RR	Replacement Motor Cartridge, 700 GPH (2650 LPH)
27DR	Replacement Motor Cartridge, 1100 GPH (4162 LPH)

## Variable Flow Control Valve



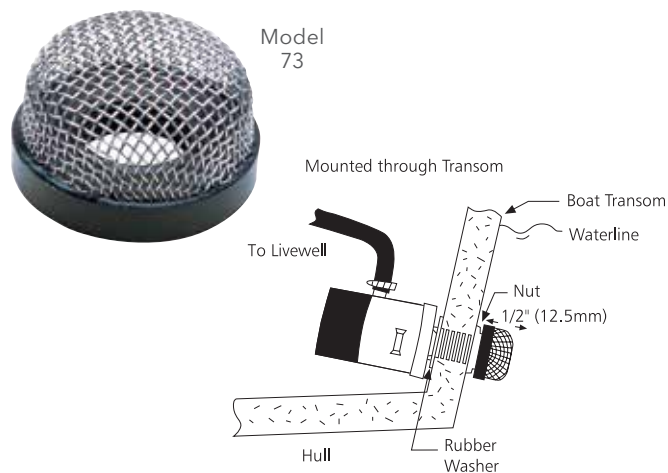
The Variable Flow Control Valve allows increases and decreases of flow with no damage at all to the pump. Range includes fully open flow to zero flow. For use with 3/4" (19mm) hose.

## Oxygenator Spray Head



Rule's Oxygenator Spray Head sprays streams of water back into the livewell tank, enriching the water with oxygen. Adjustable spray head allows you to increase or decrease flow of water. For use with 3/4" (19mm) hose.

## Livewell Pump Debris Strainer



The Livewell Pump Debris Strainer attaches directly to any pickup tubes on Rule Livewell Pumps. Filters out trash and debris which could clog pump. Stainless steel wire mesh, 3/4" (19mm) female NPSM threads.

# 04 Toilet Systems

## INTRODUCTION



At Jabsco, we are the world's largest manufacturer and supplier of small craft marine toilets – so we've built a fair degree of experience in heads systems and their design and installation.

Far and away the most widely used marine toilets are manually operated. Our 29090/29120 Series have been the most popular type worldwide over the last 10 years. We have now improved them even further with stronger materials, new styling and new features that make them even easier to service and maintain. With modern design and materials, manual toilets are easy to install and service, simple and clean to use and offer exceptional value for your money. Remember, there are two bowl sizes to choose from, and normally even the smallest boats have enough space for the comfort of a full-sized bowl (29120 Series) for just a little extra cost.

Our luxury range of Lite Flush, Quiet Flush and Deluxe Flush Electric Toilets feature low noise levels, so sleeping guests will not be disturbed when the toilet is used. There are options of either flushing with fresh water from the boat's own supply or with salt, river or lake water from outside the boat. Lite Flush Toilets have an integral rinse and waste pump system encased in a stylish housing. Deluxe Flush Series Toilets have domestic-style bowls with all pump components hidden from view. Quiet Flush Toilets have the pump at the rear of a narrow base, allowing it to be installed in more narrow spaces. Three-way controls allow water level to be increased or decreased.

Quiet Flush Conversion Kits allow owners of 37010 and many other types of electric or manual toilets to upgrade to full Quiet Flush specification. All our electric toilets use surprisingly little power, and are simple to operate for newcomers and experienced crews alike.

Manual toilets can be upgraded to electric by the Lite Flush Electric Toilet. The new Lite Flush has been designed to instantly retrofit your existing manual toilet with the same footprint, fixing points and hose attachments as the Jabsco manual toilet.

All our toilets can be used on inland waterways, rivers, lakes or the sea, and can be installed above or below the waterline. However, attention must be paid to installation instructions for safety, and installations must meet with local regulations concerning overboard discharge. All our toilets are designed to discharge overboard or into holding tanks as necessary.

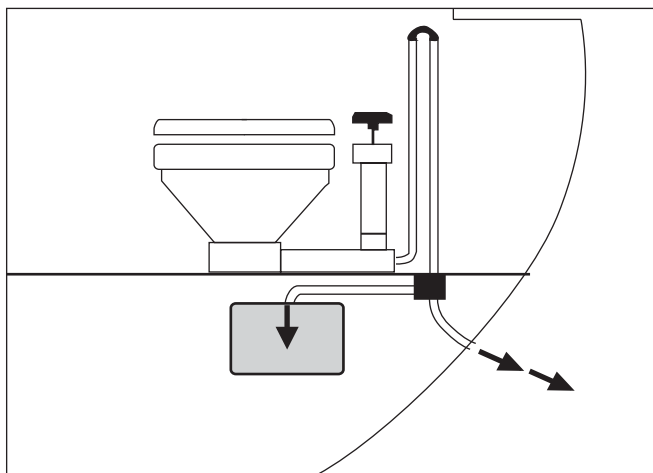


We at Jabsco understand the importance of keeping the environment clean and free from waste. However, it is unfortunate that there is no internationally accepted legislation to guide us on how to deal with the waste from our toilet systems.

For this reason, Jabsco has produced this guide which details the four most common ways of dealing with toilet waste. It is important to note that your choice of system may be governed by your own national and local rules and regulations.

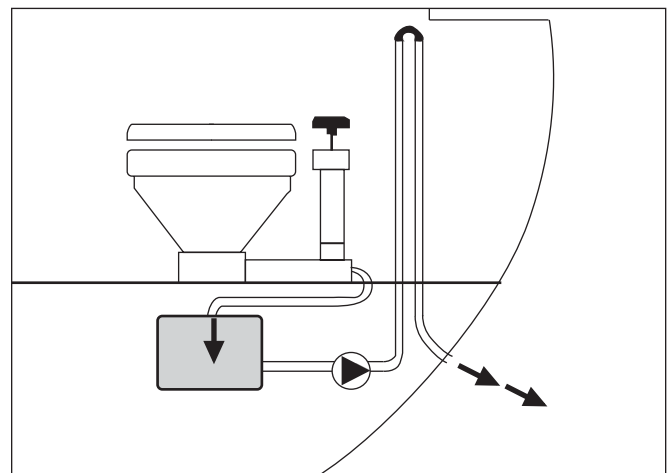


#### OPTION 1



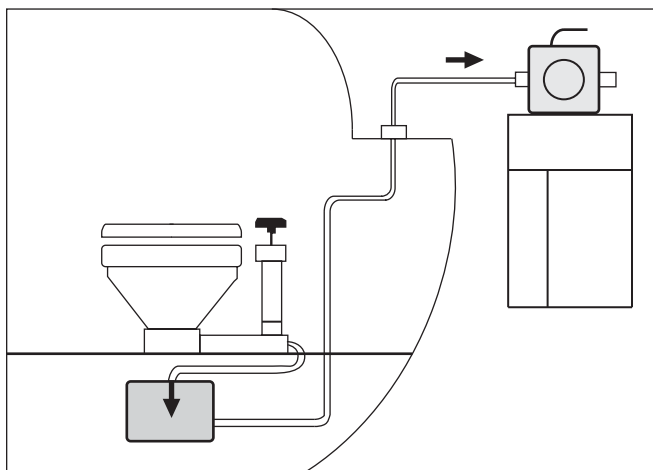
Discharge waste through a Y-valve directly into a non-restricted area, or to a holding tank when within the three-mile limit, using the toilet's own pump and an anti-siphon loop.

#### OPTION 2



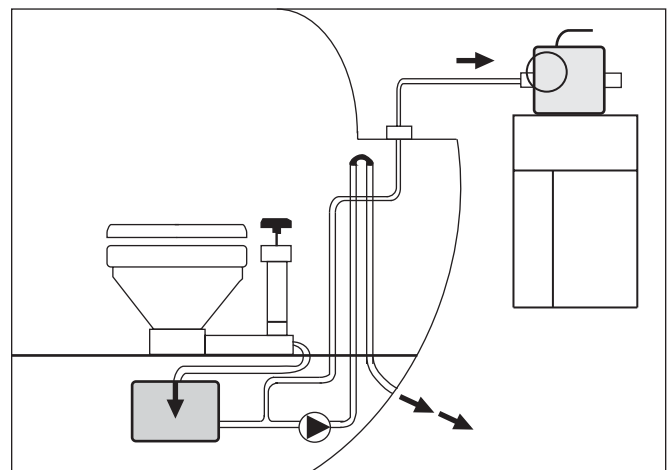
Collect waste in an onboard holding tank so that it can be discharged later when you are in unrestricted waters using an electric or manual pump.

#### OPTION 3



Collect waste in an onboard holding tank for discharge later to a shore station using a dockside suction pump or portable utility pump.

#### OPTION 4



A combination of Options 2 and 3 to give you the flexibility of discharging waste wherever most convenient and without risk to the environment.

# 04 Toilet Systems

TWIST 'N' LOCK MANUAL TOILETS



## Twist 'n' Lock Manual Toilets



Jabco is the world's largest manufacturer of small craft marine toilet systems, and we have applied all our experience to our latest manual toilet, refining the design that is used by nearly all boatbuilders worldwide.

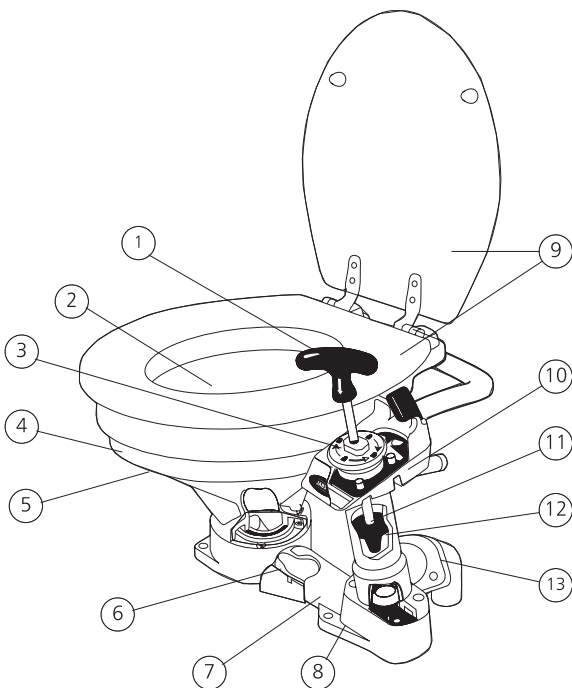
For extra safety and peace of mind, the intuitive, simple to use Twist 'n' Lock action handle guards against siphonic flooding and waste backflow. With one easy 90° turn of the handle, the lock is applied. Turning the handle back to the natural operating position opens the lock again.

- All fastenings face front or top for ease of maintenance.
- Flexible design for both overboard discharge and holding tanks.
- Corrosion-resistant materials throughout for reliable fresh or salt water service.

<b>FITTING</b>	Connections for 3/4" (19mm) ID inlet hose, 1-1/2" (38mm) ID outlet hose
<b>SIZE</b>	Regular: 18-1/2" wide x 19" deep x 13-3/4" high (47cm x 48cm x 35cm) Compact: 17-3/4" wide x 16" deep x 13-1/2" high (45cm x 41cm x 34cm)
<b>WEIGHT</b>	Regular: 23.5lb (11.6kg) Compact: 20.5lb (9.3kg)

MODEL	DESCRIPTION
29120-3000	Regular bowl size
29090-3000	Compact bowl size
29127-1000	Replacement Regular Seat and Lid
29097-1000	Replacement Compact Seat and Lid
29040-3000	Replacement Pump Assembly
29045-3000	Service Kit

For service and spare parts listing, see page 248.



1. Twist 'n' Lock safety handle and flush control lever.
2. Powerful swirl action for efficient flushing.
3. Full-size external seal housing allows quick, clean seal replacement and instant access to pump cylinder.
4. Hygienic pure white vitreous china bowl for ease of cleaning.
5. Full-size regular bowl or compact bowls available.
6. Constant 1-1/2" (38mm) bore wastepipe.
7. Crevice-free contours and smooth moldings for added hygiene.
8. Reversible pump mounting for choice of right or left handed installation.
9. Stylized, luxury wooden seat and cover with tough baked enamel coating.
10. Automatic vacuum breaker for easier pumping.
11. Powerful self-priming pump for above or below waterline installation.
12. Angled pump housing and long stroke for ease of operation.
13. Multi-angled discharge elbow contributes to ease of installation.



# Toilet Systems 04

## LITE FLUSH TOILETS

### Lite Flush Toilets

A new electric toilet designed to instantly retrofit your existing manual toilet or to give your bathroom a modern stylish look.

The Lite Flush is Jabsco's new stylish, low power consuming electric toilet, designed specifically to replace an existing Jabsco manual toilet. The installation is quick and straight-forward due to the same footprint, fixing points and hose attachments as the Jabsco manual toilet.

The compact and lightweight design with its ceramic bowl and plastic outer casing makes it very easy to clean. It is fitted with a new quiet and efficient flush pump which has large clearances to help prevent blockages.

Lite Flush Toilets are available with either a foot switch (left or right fitting) or a wall mounted control panel.

#### NOTE

For use with lake/sea water only.

For service and spare parts listing, see page 255.

#### FEATURES

- Lightweight and compact.
- Stylish and contemporary design.
- Slow-close seat and lid.
- Integral rinse and waste pump system.
- Low water usage – 1.3 US quarts (1.2L) per flush.
- Low power consumption.
- Compliance with USCG 183.410 and 8846 Marine Ignition Standard.



### Lite Flush with Foot Switch

58500-00XX Series are supplied with a simple to use, one-press foot switch. Simply press once to fill the bowl (bowl can be left wet or dry) and press again to flush.



<b>FITTING</b>	Connections for 3/4" (19mm) ID inlet hose and 1-1/2" (38mm) outlet hose
<b>SIZE</b>	15-3/4" wide x 15-3/4" deep x 14-3/4" high (40cm x 40cm x 37cm)
<b>WEIGHT</b>	24lb (11kg)

MODEL	DESCRIPTION
58500-0012	Foot switch, 12V DC, fuse 25 amp
58500-0024	Foot switch, 24V DC, fuse 15 amp

### Lite Flush with Control Panel

58500-10XX Series are supplied with a new multi-function "one touch" wall mounted control panel, which also adapts to standard Gewiss and Vimar fascia panels.



<b>FITTING</b>	Connections for 3/4" (19mm) ID inlet hose and 1-1/2" (38mm) outlet hose
<b>SIZE</b>	15-3/4" wide x 15-3/4" deep x 14-3/4" high (40cm x 40cm x 37cm)
<b>WEIGHT</b>	24lb (11kg)

MODEL	DESCRIPTION
58500-1012	Control panel, 12V DC, fuse 25 amp
58500-1024	Control panel, 24V DC, fuse 15 amp

# 04 Toilet Systems

ELECTRIC TOILETS & KITS



## Electric Conversion for Manual Toilets

This design makes installation of electric toilets both affordable and practical. Boatbuilders find it easier to offer the option of electric or manual toilets to their customers. Boat owners appreciate modern design and the safety of a unit that can be reconverted to manual operation inside fifteen minutes in the event of a power failure. Boatbuilders and boat owners benefit from a conversion kit that makes use of existing manual toilet plumbing.

- Complete for 29090/29120 Series, compact and regular bowl, left or right hand manual toilets.
- Simple rotary control knob offers choice of "Flush and Discharge" or "Discharge Only."
- Existing discharge plumbing remains undisturbed for ease of installation.
- Low power consumption, typically less than the equivalent of 1.0 amp/hour each day.
- Vigorous 5 GPM (20 LPM) flush rate for rapid flushing, typically less than 10 seconds.
- Crevice-free contours for added hygiene.
- Two powerful, self-priming pumps for above or below waterline installation.
- Dual role design macerates waste for both overboard discharge and holdings tanks.
- Automatic inlet water checkvalve for additional security.
- Corrosion-resistant materials throughout for reliable fresh or salt water service.
- Manual pump may be refitted to maintain service in the event of power failure.
- Strong, abrasion-resistant plastic moldings for consistent color match and high gloss finish.
- Retains existing joker valve to maintain automatic back-flow protection.
- Complies with USCG 183.410 and ISO 8846 MARINE (Ignition Protection).



Requires minor repositioning of discharge hose.



<b>FITTING</b>	Connections for 3/4" (19mm) ID inlet hose, and for existing discharge elbow and outlet hose
<b>SIZE</b>	3-1/2" wide x 6" deep x 10-1/2" high (9cm x 15cm x 27cm)
<b>WEIGHT</b>	7.5lb (3.3kg)

MODEL	DESCRIPTION
29200-0120	Toilet conversion, 12V DC, fuse 25 amp
29200-0240	Toilet conversion, 24V DC, fuse 15 amp
29101-0000	Service Kit, Seals and Gaskets

For service and spare parts listing, see page 249.

## Electric Toilets

Household size bowl complements the luxury of electric flushing with choice of compact bowl where space is at a premium.



- Hygienic pure white vitreous china bowl for ease of cleaning.
- Stylized, luxury wooden seat and cover with tough baked enamel coating.
- Stainless steel and bronze fastenings for reliable salt water service.
- Flushing pump self-priming up to 4' (1.2m) vertical lift.
- May be mounted 3' (1m) below the waterline.
- Equally suitable for overboard or holding tank discharge.
- Built-in backflow preventer.
- For installations fitted with vented loops, use a solenoid valve (see next page).
- Complies with USCG 183.410 and ISO 8846 MARINE (Ignition Protection).

<b>FITTING</b>	Connections for 5/8" to 3/4" (16mm to 19mm) ID inlet hose, 1" or 1-1/2" (25mm or 38mm) ID outlet hose
<b>SIZE</b>	Regular: 14-3/4" wide x 18-1/2" deep x 14-5/8" high (38cm x 47cm x 37cm) Compact: 13-7/8" wide x 17-5/8" deep x 14" high (35cm x 43cm x 35cm)
<b>WEIGHT</b>	Regular: 38.5lb (17.3kg) Compact: 34lb (15.4kg)

MODEL	DESCRIPTION
37010-0090	Compact size, 12V DC, fuse 25 amp
37010-0096	Compact size, 24V DC, fuse 15 amp
37010-1090	Regular size, 12V DC, fuse 25 amp
37010-1096	Replacement Regular Seat and Lid
29127-1000	Replacement Compact Seat and Lid
29097-1000	Replacement Compact Seat and Lid
37040-0000	Service Kit, Seals and O-Rings

For service and spare parts listing, see page 250.

## Electric Kits

Convert our Manual Toilet Compact and Regular Bowl models to full electric operation without need to alter existing inlet or discharge seacocks.

- Also converts most toilets with four bolt screw pattern on a 3-3/4" (95mm) diameter bolt circle such as Groco, Raritan, Wilcox Crittenden, Mansfield and Sealand.
- Push-button flushing for ease and simplicity of operation.
- Comprehensive kit has all necessary parts, including flushing pump, macerator pump, switch, adapters, clamps, hose and fastenings.
- Flushing pump self-priming up to 4' (1.2m) vertical lift.
- May be installed 3' (1m) below the waterline.
- For installations fitted with vented loops, use a solenoid valve on inlet hose (see below).
- Complies with USCG 183.410 and ISO 8846 MARINE (Ignition Protection).



<b>FITTING</b>	Connections for 5/8" to 3/4" (16mm to 19mm) ID inlet hose, 1" or 1-1/2" (25mm or 38mm) ID outlet hose
<b>SIZE</b>	13-1/4" long x 8-1/4" wide x 3-1/4" high (34cm x 21cm x 8cm)
<b>WEIGHT</b>	12.5lb (5.7kg)

MODEL	DESCRIPTION
37010-0092	12V DC, fuse 25 amp
37010-0097	24V DC, fuse 15 amp
37040-0000	Service Kit, Seal and Gaskets

For service and spare parts listing, see page 250.

## Solenoid Valve for 37010 Series Electric Toilets

Where 37010 Series Electric Toilets are installed below the waterline, we recommend installing a loop on the inlet plumbing rising at least 8" (20cm) above the highest (static or heeled) waterline level, and installing a vented loop fitting at the top of the loop to stop water siphon over the loop and flooding the vessel.

The suction generated by 37010 Series Electric Toilets will open the valve in vented loops, drawing in air and preventing priming. The 37068-2000 Solenoid Valve attaches directly to Jabsco Vented Loops and is wired to the toilet's on/off switch. It closes whenever the toilet pump is operated and ensures full pump priming.



MODEL	DESCRIPTION
37068-2000	Solenoid Valve for use with 12V or 24V DC

### FOR USE WITH

MODEL	DESCRIPTION
29015-0000	3/4" (19mm) Vented Loop (see page 48)
29295-1011	Recommended Accessory: 3/4" (19mm) Inlet Non-Return Valve (see page 48)

# 04 Toilet Systems

QUIET FLUSH ELECTRIC TOILETS

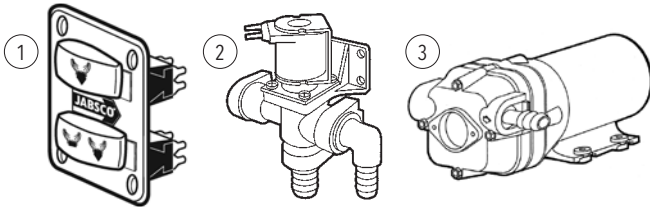


## Quiet Flush Electric Toilets

Quiet Flush Toilets are a variation of the well proven and popular 37010 Series Electric Toilet. Designed to radically reduce noise levels, Quiet Flush Toilets make life onboard more comfortable for all crew members, even those sleeping!

Two versions are available, either for connection to the vessel's existing pressurized water system or supplied with a remote mounted pump to use salt, river or lake water to flush.

- May be mounted up to 3' (1m) below the waterline with proper plumbing to prevent flooding.
- Both models feature a powerful macerator discharge pump that breaks up waste and evacuates the toilet.
- Both models are supplied complete with 6' (2m) of white hose to neatly connect the inlet bowl fitting to either the solenoid valve/siphon breaker assembly or inlet pump.
- Available in regular or compact bowl sizes.
- Hygienic, pure white vitreous china bowl for ease of cleaning.
- Complies with USCG 183.410 and ISO 8846 MARINE (Ignition Protection).



1. Three-way control panel allows the operator to select a normal flush and drain cycle, or to lower or raise the water level.
2. 37245 Series are supplied with a remote mounted, quiet-running flush pump to bring in sea, river or lake water for flushing. Complete with Pumpgard™ strainer.
3. 37045 Series are supplied with a solenoid valve and siphon breaker assembly for connection to any existing pressurized water pump with a flow rate of 3.5 GPM (13.5 LPM) or more. The siphon breaker prevents backflow from the toilet to the water system.



<b>FITTING</b>	Connections for 3/4" (19mm) ID inlet hose and 1" (25mm) discharge hose. Adapter included for connection to 1-1/2" (38mm) discharge hose.
<b>SIZE</b>	Regular: 14-1/2" wide x 19-3/4" deep x 14-1/2" high (37cm x 50cm x 37cm) Compact: 13-1/2" wide x 16-1/2" deep x 13-3/4" high (35cm x 42cm x 34.5cm)
<b>WEIGHT</b>	37045 Compact Fresh Water: 34lb (15.4kg) 37245 Compact Salt Water: 38lb (17.2kg) 37045 Regular Fresh Water: 38lb (17.36kg) 37045 Regular Salt Water: 42lb (19.1kg)

MODEL	DESCRIPTION
37045-0092	Compact size, 12V DC, fuse 25 amp, fresh water
37045-0094	Compact size, 24V DC, fuse 15 amp, fresh water
37045-1092	Regular size, 12V DC, fuse 25 amp, fresh water
37045-1094	Regular size, 24V DC, fuse 15 amp, fresh water
37245-0092	Compact size, 12V DC, fuse 25 amp, salt water
37245-0094	Compact size, 24V DC, fuse 15 amp, salt water
37245-1092	Regular size, 12V DC, fuse 25 amp, salt water
37245-1094	Regular size, 24V DC, fuse 15 amp, salt water
29127-1000	Replacement Regular Seat and Lid
29097-1000	Replacement Compact Seat and Lid
90197-0000	Service Kit, Seal and O-Rings for head macerator

For service and spare parts listing, see page 251.

## Quiet Flush Electric Kits



Build your own Quiet Flush Toilet using existing Jabsco 37010 Series Toilets or any manual or electric toilet bowl with bolt fixing on a 3-3/4" (95mm) diameter circle, to upgrade to Quiet Flush operation. The same options are available as the complete toilet for fresh or salt water flush.

- Comprehensive kit has all necessary components, except bowl, seat and lid.
- Complies with USCG 183.410 and ISO 8846 MARINE (Ignition Protection).

<b>FITTING</b>	Connections for 3/4" (19mm) ID inlet hose and 1" (25mm) discharge hose. Adapter included for connection to 1-1/2" (38mm) discharge hose.
<b>SIZE</b>	12" long x 8-1/4" wide x 3-1/4" high (32cm x 21cm x 8cm)
<b>WEIGHT</b>	37055 Series: 12.5lb (5.7kg) 37255 Series: 16.5lb (7.5kg)

MODEL	DESCRIPTION
37055-0092	12V DC, fuse 25 amp, fresh water
37055-0094	24V DC, fuse 15 amp, fresh water
37255-0092	12V DC, fuse 25 amp, salt water
37255-0094	24V DC, fuse 15 amp, salt water
90197-0000	Service Kit, Seal and Gaskets

For service and spare parts listing, see page 251.

# 04 Toilet Systems

DELUXE FLUSH ELECTRIC TOILETS



## Deluxe Flush Electric Toilets

The Deluxe Flush range is Jabsco's newest offering to the top of the range electric toilet market. This range is now complete with the new 14" and existing 17" electric toilets.

The stylish and extremely compact design is carefully contoured to conceal the flush pump, wiring and plumbing, while still featuring a full-size household seat.

Both 14" and 17" electric toilets are offered in a choice of a slant back or a straight back. The slant back version gives a minimal footprint and makes it easy to mount against a sloping surface or in a corner. The straight back version allows snug fitting against a vertical bulkhead.

The toilets feature a new multifunctional "one touch" control pad which adapts to standard Gewiss and Vimar switch fascias.

### FEATURES

- Virtually silent operation for comfort onboard.
- Choice of four rinse options for minimum water usage 1.5 US quarts (1.5L).
- Fresh or salt water flush options.
- Anti-blocking centrifugal flush pump.
- High vitreous china bowl.
- No "dirt traps" for maximum hygiene and easy cleaning.
- Complies with USCG 183.410 and ISO 8846 MARINE (Ignition Protection).



MODEL	DESCRIPTION
582X0 Series	Supplied with a remote mounted self-priming pump to bring in sea, river or lake water to rinse. Complete with Pumpgard™ strainer.
580X0 Series	Supplied with a solenoid valve and siphon breaker assembly for connection to any existing pressurized water system capable of delivering 2.9 GPM (11 LPM) or more. The siphon breaker ensures there is no backflow from the toilet into the water system.

For service and spare parts listing, see page 253.

## Deluxe Flush 14" Straight Back Electric Toilets



Straight Back

<b>FITTING</b>	Connections for 3/4" (19mm) ID inlet hose and 1-1/2" (38mm) outlet hose
<b>SIZE</b>	14-1/2" wide x 17-5/8" deep x 14-3/8" high (37cm x 45cm x 36cm)
<b>WEIGHT</b>	58080 Series: 55lb (25kg) 58280 Series: 60lb (27kg)

MODEL	DESCRIPTION
58080-1012	14" straight back bowl with solenoid valve, 12V DC, fuse 25 amp
58080-1024	14" straight back bowl with solenoid valve, 24V DC, fuse 15 amp
58280-1012	14" straight back bowl with intake pump, 12V DC, fuse 25 amp
58280-1024	14" straight back bowl with intake pump, 24V DC, fuse 15 amp

## Deluxe Flush 14" Slant Back Electric Toilets



Slant Back

<b>FITTING</b>	Connections for 3/4" (19mm) ID inlet hose and 1-1/2" (38mm) outlet hose
<b>SIZE</b>	14-1/2" wide x 17-5/8" deep x 14-3/8" high (37cm x 45cm x 36cm)
<b>WEIGHT</b>	58060 Series: 53lb (24kg) 58260 Series: 57lb (26kg)

MODEL	DESCRIPTION
58060-1012	14" slanted back bowl with solenoid valve, 12V DC, fuse 25 amp
58060-1024	14" slanted back bowl with solenoid valve, 24V DC, fuse 15 amp
58260-1012	14" slanted back bowl with intake pump, 12V DC, fuse 25 amp
58260-1024	14" slanted back bowl with intake pump, 24V DC, fuse 15 amp

## Deluxe Flush 17" Straight Back Electric Toilets



Straight Back

<b>FITTING</b>	Connections for 3/4" (19mm) ID inlet hose and 1-1/2" (38mm) outlet hose
<b>SIZE</b>	14-1/2" wide x 17-1/2" deep x 17-1/4" high (37cm x 44.5cm x 44cm)
<b>WEIGHT</b>	58040 Series: 69lb (31kg) 58240 Series: 64lb (29kg)

MODEL	DESCRIPTION
58040-1012	17" straight back bowl with solenoid valve, 12V DC, fuse 25 amp
58040-1024	17" straight back bowl with solenoid valve, 24V DC, fuse 15 amp
58240-1012	17" straight back bowl with intake pump, 12V DC, fuse 25 amp
58240-1024	17" straight back bowl with intake pump, 24V DC, fuse 15 amp

## Deluxe Flush 17" Slant Back Electric Toilets



Slant Back

<b>FITTING</b>	Connections for 3/4" (19mm) ID inlet hose and 1-1/2" (38mm) outlet hose
<b>SIZE</b>	14-1/2" wide x 17-1/2" deep x 17-1/4" high (37cm x 44.5cm x 44cm)
<b>WEIGHT</b>	58020 Series: 62lb (28kg) 58220 Series: 67lb (30kg)

MODEL	DESCRIPTION
58020-1012	17" slanted back bowl with solenoid valve, 12V DC, fuse 25 amp
58020-1024	17" slanted back bowl with solenoid valve, 24V DC, fuse 15 amp
58220-1012	17" slanted back bowl with intake pump, 12V DC, fuse 25 amp
58220-1024	17" slanted back bowl with intake pump, 24V DC, fuse 15 amp

# 04 Toilet Systems

## ACCESSORIES



### Outlet Non-Return Valve

A non-return valve can be used to help prevent waste backflow on electric toilets. Simply fit discharge hose close to the toilet.



MODEL	DESCRIPTION
58109-1000	1-1/2" (38mm) Outlet Non-Return Joker Valve

### Y-Valve

Robust Y-Valve for use in toilet applications. Allows waste to be pumped overboard or into a holding tank.

- Rotating ports allow for variable routing of hoses onto the valve.
- Can be operated through bulkhead by use of optional handle extension.
- Can be padlocked so that waste can only go to the holding tank to comply with some local regulations (padlock not included).
- Waste and corrosion-resistant construction throughout.



<b>FITTING</b>	Connections for two 1-1/2" (38mm) ports and 1" (25mm) inlet port
<b>SIZE</b>	7-5/8" long x 7-1/4" wide x 4-5/8" high (20cm x 19cm x 12cm)
<b>WEIGHT</b>	2lb (0.9kg)

MODEL	DESCRIPTION
45490-1000	Y-Valve
45500-1000	Handle Extension Kit
45493-0000	Replacement Handle
18753-0661	Replacement Ports Kit
45488-0000	Service Kit

### Inlet Non-Return Valve

A check valve gives quicker and easier flushing response on many manual and 37010 Series Electric Toilet installations.



- For use with manual and electric toilets using sea water flush.
- Simply fit inlet suction hose near seacock, but just above waterline.
- Prevents loss of prime in above-waterline installations.
- Retains water in bowl of 37010 Series Electric Toilets installed above waterline.

<b>FITTING</b>	Connections for 3/4" (19mm) ID hose
<b>SIZE</b>	4-1/4" long x 2-1/8" wide x 2" high (10.8cm x 5.5cm x 5cm)
<b>WEIGHT</b>	0.25lb (0.1kg)

MODEL	DESCRIPTION
29295-1011	Inlet Non-Return Valve

### Vented Loops

An essential safety component on all inlet and discharge plumbing of toilets installed below the static or heeled waterline.

- Simple valve system ensures water cannot siphon over plumbing loops.
- Available in three sizes for 1-1/2" (38mm), 1" (25mm) and 3/4" (19mm) ID hose.
- Internal valve avoids need for external venting.
- Molded in tough, corrosion-proof plastic.



<b>FITTING</b>	Connections for 3/4" (19mm), 1" (25mm) and 1-1/2" (38mm) ID hose
<b>SIZE</b>	3/4" (19mm) Model: 3" high x 3-3/4" wide x 1" deep (7.5cm x 9.5cm x 2.5cm) 1" (25mm) Model: 5" high x 7-1/2" wide x 1-3/4" deep (12.5cm x 19cm x 4.5cm) 1-1/2" (38mm) Model: 5" high x 7-1/4" wide x 2" deep (12.5cm x 18.5cm x 5cm)
<b>WEIGHT</b>	3/4" (19mm) Model: 1.5oz (0.04kg) 1" (25mm) Model: 0.25lb (0.13kg) 1-1/2" (38mm) Model: 0.5lb (0.2kg)

MODEL	DESCRIPTION
29015-0000	3/4" (19mm) model
29015-0020	1" (25mm) model
29015-0010	1-1/2" (38mm) model
29015-1000	Replacement valve. Only available in Europe.



## Waste Pump

Robust diaphragm pump passes solids and is particularly effective in emptying holding tanks. The multi-positional pump head offers a variety of installation options.

- 5 GPM (19 LPM) output.
- Self-priming up to 10' (3m).
- Capable of extensive dry running.
- Compact and simple design.
- Quiet running.
- Flexible installation.
- Corrosion-resistant parts.
- Complies with USCG 183.410 and ISO 8846 MARINE (Ignition Protection).
- ISO 8849 MARINE (Bilge Pump Standard).



<b>FITTING</b>	Connections for 1-1/2" (38mm) ID hose
<b>SIZE</b>	10.9" long x 6.1" wide x 4.4" high (27.7cm x 15.5cm x 11.1cm)
<b>WEIGHT</b>	6lb (2.7kg)

MODEL	DESCRIPTION
50890-1000	12V DC, fuse 10 amp
50890-1100	24V DC, fuse 5 amp
SK890	Service Kit

For service and spare parts listing, see page 231.

## Toilet Pumpgard™

The Pumpgard™ protects manual or electric toilets from pump malfunctions caused by debris.

- Simply installed in 3/4" (19mm) ID inlet hose.
- Transparent housing allows instant inspection.
- Screw-off top allows quick in-place cleaning and removal of debris.



<b>FITTING</b>	Connections for 3/4" (19mm) ID hose
<b>SIZE</b>	4-3/4" long x 2-3/4" wide x 2-1/2" high (12cm x 7cm x 6cm)

MODEL	DESCRIPTION
46400-0000	Toilet Pumpgard™
18753-0040	Replacement 40# Mesh Filter

## Run-Dry Macerator Waste Pump

The latest version of the Macerator Pump now has a fully sealed motor and a new, more powerful chopper blade. The sealed motor consists of O-ring sealed endbells, sealed bearings, and a hard, durable powder coating to prevent corrosion from occurring both internally and externally. A new four-bladed chopper has been added to further reduce the possibility of clogging. The pump still has the Run-Dry feature present in previous models.



- Triple-sealed motor to prevent both internal and external motor corrosion.
- New four-bladed chopper reduces clogging.
- New stainless steel bolts.
- Detects the absence of fluid then shuts off pump before impeller is damaged.
- Sensor provides adequate run-dry period to allow initial priming of the pump.
- Flow rate to 12 GPM (45 LPM).
- Self-priming to 4' (1.2m) vertical lift.
- Complies with USCG 183.410 and ISO 8846 MARINE (Ignition Protection).

<b>FITTING</b>	Inlet Port: 1-1/2" (38mm) hose barb plus 1-1/2" (38mm) NPT Inlet port, RV Model: 3" (75mm) hose Discharge Port: 1" (25mm) hose barb
<b>SIZE</b>	11-3/8" long x 4-3/4" wide x 3-5/8" high (29cm x 12cm x 9cm). RV model is only 8-1/4" long (21cm).
<b>WEIGHT</b>	5lb (2.3kg)

MODEL	DESCRIPTION
18590-2092	12V DC pump, marine model
18590-2094	24V DC pump, marine model
17288-1000	Replacement Bolt Kit
18598-1000	Service Kit

For service and spare parts listing, see page 256.

\*Products marked do not comply with European legislation.



### WARNING

Explosion Hazard.  
Pumps with AC motors can spark. Explosion and death can occur.  
Do not use where flammable vapors are present.

# 04 Toilet Systems

NEW CERAMIC DESIGNS



## New for 2016!

We have redesigned our ceramic range to offer our customers even more luxury on board their boat.

In 2016, we launch our new ceramic designs which will directly replace all existing models; the new designs will be fully compatible with existing pump systems found on our manual and electric toilet models.

The updated models are styled to meet both the functional and aesthetic demands of today's boat designers and boat owners alike. New for the 2016 models are Soft Close Seat and Lid options; these are available on a variety of models within our extensive range (see our part number cross reference table on the next page for details).

All compact and large bowl manual and electric toilets will change to the new design. We will also update the 17" Vertical Deluxe Flush, followed by the 14" Vertical Deluxe Flush. Both the 17" and 14" Angled Deluxe Flush will remain as they are.

**PLEASE CONTACT YOUR LOCAL DISTRIBUTOR FOR MORE INFORMATION.**

## Jabsco Marine Toilets

### THE FIRST CHOICE FOR BOATERS

- New bowl and seat design featuring white vitreous china bowl.
- Space-saving, stylish design available in compact or large bowl options.
- Enameled wooden seat and cover; soft close option on select models.
- Crevice-free contours and smooth moldings for added hygiene and easy cleaning.
- Versatile plumbing design for easy installation.
- Self-priming pump units suitable for fresh or sea water installation.



## Cross Reference Guide

In 2016, our Jabsco toilets will be updated. We are changing the ceramic bowl, which will mean new part numbers for all models. All large bowl toilets will have a Soft Close Seat option as well as the standard wooden seat. See the table below for replacement part numbers and new Soft Close numbers.

JABSCO TOILET MODEL	CURRENT PART NUMBER	NEW PART NUMBER
<b>Manual Toilets</b>		
Manual Toilet, Compact	29090-3000	29090-5000
Manual Toilet, Regular	29120-3000	29120-5000
Manual Toilet, Regular, Soft Close	–	29120-5100
<b>Electric Toilets</b>		
Electric Toilet, Compact 12V	37010-0090	37010-3092
Electric Toilet, Compact 24V	37010-0096	37010-3094
Electric Toilet, Regular 12V	37010-1090	37010-4092
Electric Toilet, Regular 12V, Soft Close	–	37010-4192
Electric Toilet, Regular 24V	37010-1096	37010-4094
Electric Toilet, Regular 24V, Soft Close	–	37010-4194
<b>Quiet Flush Electric Toilets</b>		
Quiet Flush Toilet, Solenoid, Compact 12V	37045-0092	37045-3092
Quiet Flush Toilet, Pump, Compact 12V	37245-0092	37245-3092
Quiet Flush Toilet, Solenoid, Compact 24V	37045-0094	37045-3094
Quiet Flush Toilet, Pump, Compact 24V	37245-0094	37245-3094
Quiet Flush Toilet, Pump, Regular 12V	37245-1092	37245-4092
Quiet Flush Toilet, Pump, Regular 12V, Soft Close	–	37245-4192
Quiet Flush Toilet, Solenoid, Regular 12V	37045-1092	37045-4092
Quiet Flush Toilet, Solenoid, Regular 12V, Soft Close	–	37045-4192
Quiet Flush Toilet, Solenoid, Regular 24V	37045-1094	37045-4094
Quiet Flush Toilet, Solenoid, Regular 24V, Soft Close	–	37045-4194
Quiet Flush Toilet, Pump, Regular 24V	37245-1094	37245-4094
Quiet Flush Toilet, Pump, Regular 24V, Soft Close	–	37245-4194
<b>Deluxe Flush Electric Toilets</b>		
17" Vertical, Solenoid, 12C	58040-1012	58040-2012
17" Vertical, Solenoid, 12V, Soft Close	–	58040-3012
17" Vertical, Solenoid, 24V	58040-1024	58040-2024
17" Vertical, Solenoid, 24V, Soft Close	–	58040-3024
17" Vertical, Pump, 12V	58240-1012	58240-2012
17" Vertical, Pump, 12V, Soft Close	–	58240-3012
17" Vertical, Pump, 24V	58240-1024	58240-2024
17" Vertical, Pump, 24V, Soft Close	–	58240-3024
14" Vertical, Solenoid, 12V	58080-1012	58080-2012
14" Vertical, Solenoid, 12V, Soft Close	–	58080-3012
14" Vertical, Solenoid, 24V	58080-1024	58080-2024
14" Vertical, Solenoid, 24V, Soft Close	–	58080-3024
14" Vertical, Pump, 12V	58280-1012	58280-2012
14" Vertical, Pump, 12V, Soft Close	–	58280-3012
14" Vertical, Pump, 24V	58280-1024	58280-2024
14" Vertical, Pump, 24V, Soft Close	–	58280-3024

# 05 Water Pressure Systems

INTRODUCTION

**JABSCO®**

## Pressure Controlled Diaphragm Pumps



Pressure controlled diaphragm pumps provide boat owners with a fresh water system that is as easy to use as their domestic water supply – with the versatility to offer full flow or a trickle. The pump is controlled by a switch which senses the pressure drop when a faucet is opened and activates the pump; it turns off when the system pressure builds to a pre-set limit as the faucet is closed. This system allows any type of faucet or shower valve to be fitted, from 3/8" (10mm) bore for minimum water use to 1/2" (13mm) bore for maximum flow. Choosing the pump for your needs is simple – just check your system size and the number of outlets you need to operate simultaneously and select the appropriate pump. Diaphragm pumps are self-priming, quiet in operation and can run dry for extended periods.

It is always best to turn the pump off and then open a tap to de-pressurize the system when you are not using the boat, as this will prolong pump life.

## Accumulator Tanks



Accumulator tanks hold a reservoir of air and water downstream from the pump. The air acts as a cushion, absorbing pump and pressure fluctuations, smoothing the flow and making the system quieter. Accumulators allow the pump to reach shut-off pressure more smoothly which reduces the on/off cycle and gives better control of hot water delivery.

Our accumulator tanks all have a bladder that separates water from air. The bladder is pre-pressurized, but may need fine tuning when installed to give the most efficient performance. One of the advantages of an accumulator tank is that they can dispense up to half of their capacity of water even when the pump is switched off. So the bigger the reservoir, the more water you have available without having to switch the pump on, helping you wash your hands or clean your teeth without noise.

## Washdown Pumps

Washdown pumps are a development of our Water Pressure System Pumps. Higher shut-off pressure switches prevent on/off cycling while salt water compatible trigger nozzles let you blast off mud and dirt and then rinse down.



## Water Pressure Regulators

Inlet water regulators are designed to protect your boat water system plumbing and fixtures from the possible high pressure of municipal water systems. Regulation is controlled at all flow rates by a pre-set spring, and a removable strainer traps debris. Both in-line portable and permanent flush mount models are available in our line of diaphragm sealed regulators.

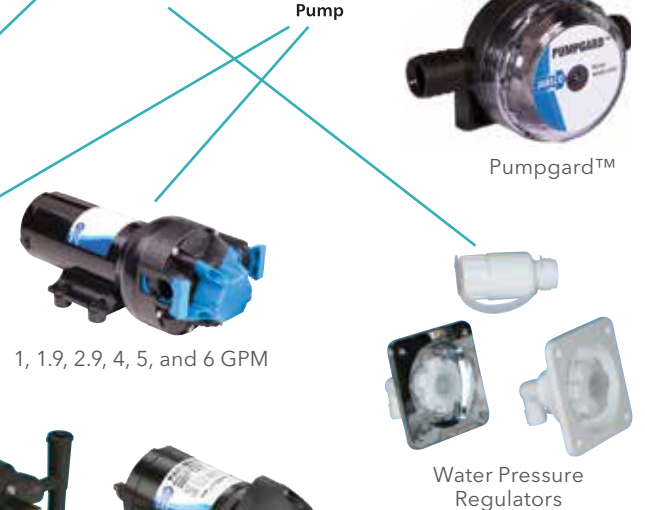
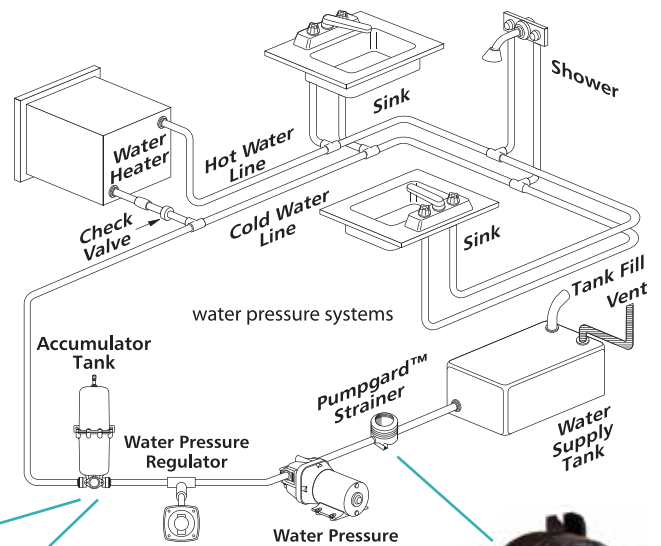


## Pumpgard™ Strainers

Inlet strainers are an essential part of any fresh water system using a diaphragm pump – protecting the valves from small particles in the water. Our Pumpgards™ have been designed for easy installation and rapid filter screen cleaning, having a transparent bowl that screws off to allow simple, regular inspection.



## Multi-Outlet Water Pressure Systems



1, 1.9, 2.9, 4, 5, and 6 GPM

Water Pressure Regulators

# 05 Water Pressure Systems

AUTOMATIC PRESSURE CONTROLLED PUMPS



## PAR-Max 1

Miniature multi-outlet water pressure pump serves one or two 3/8" (10mm) outlets at any one time.



- Self-priming up to 6' (1.8m).
- Dual diaphragm operation.
- Thermal overload protection automatically stops motor should it overheat due to overload, with auto restart feature.
- Diaphragm design allows dry running.
- Pressure switch cut-in at 22 psi (1.5 bar), cut-out at 35 psi (2.4 bar).
- Complies with USCG 183.410 and ISO 8846 MARINE (Ignition Protection).
- Three-year warranty.

<b>FLOW</b>	1 GPM (3.8 LPM)
<b>SHUT-OFF PRESSURE</b>	35 psi (2.4 bar)
<b>FITTING</b>	Two 1/4" (6mm) straight John Guest
<b>SIZE</b>	6.47" long x 4.05" wide x 2.66" high (16.4cm x 10.3cm x 6.8cm)
<b>WEIGHT</b>	1.3lb (0.6kg)

MODEL	DESCRIPTION
42630-2992-P	12V DC, fuse 4 amp, 3.5 amp draw @ 25 psi
42630-2994-P	24V DC, fuse 3 amp, 2.5 amp draw @ 25 psi
42630-3992-P	12V DC, fuse 4 amp, 3.5 amp draw @ 25 psi, tubing, faucet
42630-3994-P	24V DC, fuse 3 amp, 2.5 amp draw @ 25 psi, tubing, faucet

## PAR-Max 1.9

The PAR-Max 1.9 Water System Pump is designed for vessels requiring a smooth low flow, 12 or 24 volt DC pump at an attractive low price. This new pump is an internally grounded, three chamber diaphragm on-demand pump with the performance characteristics to match the needs of a typical vessel with a shower, water heater and up to three faucets.



Offers a smooth flow of up to 1.9 GPM (7.2 LPM) and is fitted with a built-in pulsation dampening bypass to control unwanted cycling and noise. We include quick-connect fittings for ease of pump installation.

- Self-priming up to 6-10' (2-3m).
- Dry running.
- Soft rubber mounts.
- Corrosion resistant.
- Complies with ISO 8846 MARINE (Ignition Protection).
- Low noise.
- Less pulsation in the flow.
- Screw-less diaphragm design eliminates possible leak paths.
- Distinctive style.
- Can eliminate the requirement for an accumulator tank.
- Three-year warranty.

<b>FLOW</b>	1.9 GPM (7.2 LPM)
<b>SHUT-OFF PRESSURE</b>	25 psi (1.7 bar)
<b>FITTING</b>	Two 1/2" (13mm) straight pipe thread ports, two 1/2" (13mm) straight hose barbs
<b>SIZE</b>	9" long x 4.24" wide x 4.75" high (22.9cm x 10.6cm x 12.1cm)
<b>WEIGHT</b>	3lb (1.4kg)

MODEL	DESCRIPTION
31295-0092	12V DC, fuse 10 amp, 5.2 amp draw @ 10 psi
31295-0094	24V DC, fuse 5 amp, 1.5 amp draw @ 10 psi

For service and spare parts listing, see page 238.

## PAR-Max 2.9

The PAR-Max 2.9 Water System offers a smooth flow of up to 2.9 GPM (10.9 LPM) and is fitted with a built-in pulsation dampening bypass to control unwanted cycling and noise. We include quick-connect fittings for ease of pump installation.



- Self-priming up to 6-10' (2-3m).
- Dry running.
- Soft rubber mounts.
- Corrosion resistant.
- Complies with ISO 8846 MARINE (Ignition Protection).
- Low noise.
- Less pulsation in the flow.
- Screw-less diaphragm design eliminates possible leak paths.
- Distinctive style.
- Can eliminate the requirement for an accumulator tank.
- Three-year warranty.

<b>FLOW</b>	2.9 GPM (11 LPM)
<b>SHUT-OFF PRESSURE</b>	25-50 psi (1.7-3.5 bar)
<b>FITTING</b>	Two 1/2" (13mm) straight hose barbs
<b>SIZE</b>	9" long x 4.24" wide x 4.75" high (22.9cm x 10.6cm x 12.1cm)
<b>WEIGHT</b>	4lb (1.8kg)

MODEL	DESCRIPTION
31395-0092	50 psi (3.5 bar), 12V DC, fuse 10 amp, 7.5 amp draw @ 50 psi
31395-0094	50 psi (3.5 bar), 24V DC, fuse 5 amp, 2.6 amp draw @ 10 psi
31395-0292	25 psi (1.7 bar), 12V DC, fuse 10 amp, 7.5 amp draw @ 50 psi
31395-0294	25 psi (1.7 bar), 24V DC, fuse 5 amp, 2.6 amp draw @ 10 psi
31395-0392	40 psi (2.8 bar), 12V DC, fuse 10 amp, 7.5 amp draw @ 50 psi
31395-0394	40 psi (2.8 bar), 24V DC, fuse 5 amp, 2.6 amp draw @ 10 psi

For service and spare parts listing, see page 238.

## PAR-Max 3.5

This conventional pressure switch controlled pump enjoys the same pulsation-free three chamber diaphragm design as our PAR-Max 2.9 and 1.9, but incorporates a heavy-duty motor, giving higher flows and long life for such a small footprint.



Like all Jabsco Water Pressure System Pumps, it is inherently quiet, self-priming and can run dry without damage. Quick-connect fittings are included.

- Self-priming up to 10' (3m).
- Three-year warranty.

<b>FLOW</b>	3.5 GPM (13.2 LPM)
<b>SHUT-OFF PRESSURE</b>	25-40 psi (1.7-2.8 bar)
<b>FITTING</b>	Two 1/2" (13mm) straight hose barbs, Two 1/2" (13mm) straight QEST
<b>SIZE</b>	9" long x 4.24" wide x 4.75" high (22.9cm x 10.6cm x 12.1cm)
<b>WEIGHT</b>	5lb (2.1kg)

MODEL	DESCRIPTION
32600-0092	40 psi (2.8 bar), 12V DC, fuse 15 amp, 8 amp draw @ 10 psi
32600-0094	40 psi (2.8 bar), 24V DC, fuse 10 amp, 4 amp draw @ 10 psi
32600-0292	25 psi (1.78 bar), 12V DC, fuse 15 amp, 8 amp draw @ 10 psi
32600-0294	25 psi (1.7 bar), 24V DC, fuse 10 amp, 4 amp draw @ 10 psi

## PAR-Max 4.0

Multi-outlet water pressure pump serves four or more 1/2" (13mm) outlets at any one time. Snap-fit ports simplify both installation and removal for routine service.



- 4.3 GPM (16.3 LPM) open flow output.
- Self-priming up to 10' (3m).
- Four piston diaphragm sealed for smooth and quiet operation.
- Thermal overload protection automatically stops motor should it overheat due to overload, with auto restart feature.
- Diaphragm design allows dry running.
- Pressure switch cut-in at 10 psi (0.7 bar), cut-out at 25 psi (1.7 bar), low pressure, or cut-in at 20 psi (1.4 bar), cut-out at 40 psi (2.8 bar), high pressure.
- Complies with USCG 183.410 and ISO 8846 MARINE (Ignition Protection).

<b>FLOW</b>	4.3 GPM (16.3 LPM)
<b>SHUT-OFF PRESSURE</b>	25-40 psi (1.7-2.8 bar)
<b>FITTING</b>	Two 1/2" (13mm) straight hose barbs, Two 1/2" (13mm) straight QEST
<b>SIZE</b>	9.8" long x 4.2" wide x 4.1" high (25cm x 10.6cm x 10cm)
<b>WEIGHT</b>	6lb (2.7kg)

MODEL	DESCRIPTION
31620-0092	40 psi (2.8 bar), 12V DC, fuse 15 amp, 6 amp draw @ 10 psi
31620-0094	40 psi (2.8 bar), 24V DC, fuse 7 amp, 3 amp draw @ 10 psi
31620-0292	25 psi (1.7 bar), 12V DC, fuse 15 amp, 6 amp draw @ 10 psi
31620-0294	25 psi (1.7 bar), 24V DC, fuse 7 amp, 3 amp draw @ 10 psi

# 05 Water Pressure Systems

AUTOMATIC PRESSURE CONTROLLED PUMPS



## PAR-Max Plus Series

The high pressure capability of the new Jabsco PAR-Max Plus Series Water Pressure Pumps, available in 4.0, 5.0 and 6.0 GPM models, provides exceptional flow and consistent water pressure to easily handle the demand of multiple outlets at one time.



All PAR-Max Plus models include soft rubber mounts and quick-connect fittings for ease of installation.

- Sealed switch and co-molded diaphragm eliminates leak paths, extending the life of the pumps by up to 50%.
- Automatic pressure switch, tested over 4 million cycles without failure.
- Quick-disconnect ports allow for adjustability and ease of installation.
- Improved noise dampening rubber feet significantly minimize vibration when mounted against hard surface.
- Available in 12V or 24V DC.
- Certified to EN ISO 8846 Marine (Ignition Protection).

<b>FLOW</b>	4.0-6.0 GPM (15.1-22.7 LPM)
<b>SHUT-OFF PRESSURE</b>	25-60 psi (1.7-4.3 bar)
<b>FITTING</b>	4.0 and 5.0 Models: Two 1/2" (13mm) straight hose barbs, Two 1/2" (13mm) straight QEST, Two 1/2" (13mm) elbow QEST 6.0 Model: Two 3/4" (19mm) straight QEST, Two 3/4" (19mm) elbow QEST
<b>SIZE</b>	4.0 Model: 9.91" long x 5.09" wide x 4.34" high (25.2cm x 112.9cm x 11.1cm) 5.0 and 6.0 Models: 10.6" long x 5.09" wide x 4.34" high (26.9cm x 112.9cm x 11.1cm)
<b>WEIGHT</b>	4.0 Model: 7.6lb (3.5kg) 5.0 and 6.0 Models: 7.6lb (3.5kg)

### 4.0 GPM MODELS

MODEL	DESCRIPTION
82400-0092	60 psi (4.3 bar), 12V DC, fuse 20 amp, 15 amp draw maximum
82400-0094	60 psi (4.3 bar), 24V DC, fuse 15 amp, 6 amp draw @ 60 psi
82400-0292	40 psi (2.8 bar), 12V DC, fuse 15 amp, 9 amp draw @ 40 psi
82400-0294	40 psi (2.8 bar), 24V DC, fuse 15 amp, 6 amp draw @ 40 psi
82400-0392	25 psi (1.7 bar), 12V DC, fuse 15 amp, 9.5 amp draw @ 25 psi
82400-0394	25 psi (1.7 bar), 24V DC, fuse 15 amp, 5 amp draw @ 25 psi

### 5.0 GPM MODELS

MODEL	DESCRIPTION
82500-0092	60 psi (4.3 bar), 12V DC, fuse 20 amp, 15 amp draw maximum
82500-0094	60 psi (4.3 bar), 24V DC, fuse 15 amp, 7.5 amp draw maximum
82500-0292	40 psi (2.8 bar), 12V DC, fuse 20 amp, 11.5 amp draw maximum
82500-0294	40 psi (2.8 bar), 24V DC, fuse 15 amp, 6 amp draw maximum
82500-0392	25 psi (1.7 bar), 12V DC, fuse 20 amp, 12.5 amp draw maximum
82500-0394	25 psi (1.7 bar), 24V DC, fuse 15 amp, 6 amp draw maximum

### 6.0 GPM MODELS

MODEL	DESCRIPTION
82600-0092	60 psi (4.3 bar), 12V DC, fuse 20 amp, 17 amp draw maximum
82600-0094	60 psi (4.3 bar), 24V DC, fuse 15 amp, 8.5 amp draw maximum
82600-0292	40 psi (2.8 bar), 12V DC, fuse 20 amp, 15 amp draw maximum
82600-0294	40 psi (2.8 bar), 24V DC, fuse 15 amp, 8 amp draw maximum
82600-0392	25 psi (1.7 bar), 12V DC, fuse 20 amp, 15 amp draw maximum
82600-0394	25 psi (1.7 bar), 24V DC, fuse 15 amp, 8 amp draw maximum

For service and spare parts listing, see page 237.



## V-FLO 5.0 Water Pressure Pump

The new variable flow, constant water pressure pump now featuring the revolutionary new DiMOND technology, designed to automatically diagnose and monitor all aspects of your pump and water pressure system performance to prevent system failure. V-FLO is powered by a new variable speed drive that delivers the exact amount of water flow needed to perform the variety of onboard delivery tasks.



- Constant water pressure.
- Up to 50% less power consumption.
- Learns the boat's water pressure system to improve pump performance.

<b>FLOW</b>	5.0 GPM (19 LPM)
<b>SHUT-OFF PRESSURE</b>	25-60 psi (1.7-4.3 bar)
<b>FITTING</b>	One 3/4" (19mm) elbow hose barb, One 1/2" (13mm) elbow hose barb, Two 3/4" (19mm) straight QEST, One 3/4" (19mm) elbow QEST
<b>SIZE</b>	9.875" long x 6.125" wide x 4.75" high (25.1cm x 15.6cm x 12.1cm)
<b>WEIGHT</b>	8.2lb (3.2kg)

MODEL	DESCRIPTION
42755-0092	60 psi (4.3 bar), 12V DC, fuse 15 amp, 12 amp draw maximum, strainer
42755-0094	60 psi (4.3 bar), 24V DC, fuse 10 amp, 6 amp draw maximum, strainer
42755-0392	25 psi (1.7 bar), 12V DC, fuse 15 amp, 12 amp draw maximum, strainer
42755-0394	25 psi (1.7 bar), 24V DC, fuse 10 amp, 6 amp draw maximum, strainer

For service and spare parts listing, see page 236.

## Single Stack Water System

The Single Stack Water System is a fully assembled water pressure set which makes installation of water pressure systems simple. The system consists of a PAR-Max 4.0 Pump, strainer and pre-pressurized accumulator tank. Serves four or more outlets.



- Self-priming up to 10' (3m).
- Run-dry ability.
- Smooth, even flow.
- Thermal overload protection.
- Complies with ISO 8846 MARINE (Ignition Protection).
- Three-year warranty.

<b>FLOW</b>	4.8 GPM (18 LPM)
<b>SHUT-OFF PRESSURE</b>	40 psi (2.8 bar)
<b>FITTING</b>	Connections for 3/4" (19mm) hose tail
<b>SIZE</b>	12.2" long x 9.4" wide x 9.8" high (24cm x 31cm x 25cm)
<b>WEIGHT</b>	12lb (5.4kg)

MODEL	DESCRIPTION
52520-1000	12V DC model

# 05 Water Pressure Systems

AUTOMATIC PRESSURE CONTROLLED PUMPS



## Double Stack Water Systems



9 GPM Model



5.8 GPM Model

Two double stack water systems are available, medium flow (5.8 GPM, 22 LPM) for up to 5 outlets and high flow (9 GPM, 34 LPM) for up to 7 outlets. Both combine two pumps assembled onto a pre-pressurized accumulator tank to smooth flow and prevent pump cycling. Both sets are self-priming up to 6-10' (2-3m).

- Run-dry ability.
- Smooth, even flow.
- Two stage operation.
- Internal bladder accumulator tank.
- Thermal overload protection.
- Complies with ISO 8846 MARINE (Ignition Protection).
- Three-year warranty.

<b>FLOW</b>	9 GPM (34 LPM)
<b>SHUT-OFF PRESSURE</b>	40 psi (2.8 bar)
<b>FITTING</b>	Connections for 3/4" (19mm) hose tail
<b>SIZE</b>	13.6" long x 12.2" wide x 13.6" high (34.5cm x 31cm x 34.5cm)
<b>WEIGHT</b>	21lb (9.58kg)

MODEL	DESCRIPTION
52530-1000	9 GPM (34 LPM) Double Stack System, 12V DC
52530-1100	9 GPM (34 LPM) Double Stack System, 24V DC

<b>FLOW</b>	5.8 GPM (22 LPM)
<b>SHUT-OFF PRESSURE</b>	40 psi (2.8 bar)
<b>FITTING</b>	Connections for 1/2" (13mm) push fit, 3/4" (19mm) hose tail
<b>SIZE</b>	12.5" long x 9.5" wide x 13.8" high (32cm x 24cm x 35cm)
<b>WEIGHT</b>	15.2lb (6.9kg)

MODEL	DESCRIPTION
52530-3000	5.8 GPM (22 LPM) Double Stack System, 12V DC
52530-3100	5.8 GPM (22 LPM) Double Stack System, 24V DC

## Dual Max

Automatic two-stage water system with accumulator tank and Pumpgard™ strainer. Ideal for pleasure and commercial boats with high demand requirements.



<b>FLOW</b>	7.5 GPM (28.4 LPM)
<b>SHUT-OFF PRESSURE</b>	40 psi (2.8 bar)
<b>FITTING</b>	Three 3/4" (19mm) elbow hose barbs,
<b>SIZE</b>	14" long x 7.75" wide x 13.25" high (35.6cm x 19.7cm x 33.7cm)
<b>WEIGHT</b>	15lb (6.8kg)

MODEL	DESCRIPTION
31670-0092	12V DC, fuse 20 amp, 15 amp draw maximum
31670-0094	24V DC, fuse 10 amp, 7.5 amp draw maximum

## Ultra Max Water Pressure Set

A fully assembled pressure set that simplifies the installation of water pressure systems for both the professional and amateur installer. The set consists of a PAR-Max 3.5 Pump, strainer and pre-pressurized accumulator tank with quick-connect electrical connections on a rubber mounted board. Serves three or more 1/2" (13mm) outlets.



- Self-priming up to 10' (3m).
- Can be installed vertically or horizontally.
- Quadruple diaphragms for smooth and quiet operation.
- Thermal overload protection automatically stops motor should it overheat, with auto restart feature.
- Diaphragm design allows extended dry running.
- Pressure switch cut-in at 20 psi (1.4 bar), cut-out at 40 psi (2.8 bar).
- Maintenance-free potable water quality accumulator tank.
- Complies with USCG 183.410 and ISO 8846 MARINE (Ignition Protection).
- Three-year warranty.

<b>FLOW</b>	3.5 GPM (13.2 LPM)
<b>SHUT-OFF PRESSURE</b>	40 psi (2.8 bar)
<b>FITTING</b>	Connections for 1/2" (13mm) ID hose or 1/2" (13mm) QEST fittings
<b>SIZE</b>	15.5" long x 15.75" wide x 5.5" high (39cm x 40cm x 14cm)
<b>WEIGHT</b>	6.6lb (3kg)

MODEL	DESCRIPTION
59451-1012	40 psi (2.8 bar), 12V DC, fuse 10 amp, high pressure version

## PAR 36800 Water Pressure Pump

This well-established and service-proven pump will serve up to four outlets simultaneously and generously.

- 3.3 GPM (12.5 LPM) open flow output.
- Self-priming and all other benefits as PAR 36900 below.
- Low pressure switch cut-in at 10 psi (0.7 bar), cut-out at 20 psi (1.4 bar).
- High pressure switch cut-in at 20 psi (1.4 bar), cut-out at 40 psi (2.8 bar).
- Complies with USCG 183.410 and ISO 8846 MARINE (Ignition Protection).



<b>FLOW</b>	3.3 GPM (12.5 LPM)
<b>FITTING</b>	Connections for 1/2" to 5/8" (13mm to 16mm) ID hose
<b>SIZE</b>	9-7/8" long x 6-1/2" wide x 8-3/8" high (25.1cm x 16.5cm x 21.3cm)
<b>WEIGHT</b>	11lb (5kg)

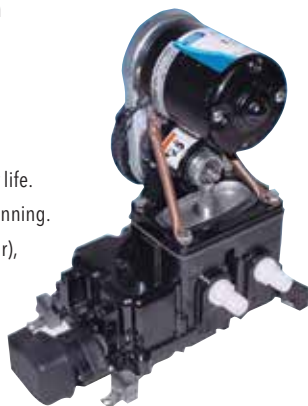
MODEL	DESCRIPTION
36800-0200	12V DC, fuse 8 amp, low pressure version
36800-0210	24V DC, fuse 4 amp, low pressure version
36800-1000	12V DC, fuse 8 amp, high pressure version
36800-1010	24V DC, fuse 4 amp, high pressure version
30122-0000	Service Kit

For service and spare parts listing, see page 235.

## PAR 36900 Water Pressure Pump

This well-established and service-proven pump will serve up to five outlets simultaneously and generously.

- 4.2 GPM (16 LPM) open flow output.
- Self-priming up to 5' (1.5m) vertical lift.
- Belt driven for quieter running and longer life.
- Diaphragm design allows extended dry running.
- Low pressure switch cut-in at 10 psi (0.7bar), cut-out at 20 psi (0.7 bar).
- High pressure switch cut-in at 20 psi (1.4 bar), cut-out at 40 psi (2.8 bar).
- Complies with USCG 183.410 and ISO 8846 MARINE (Ignition Protection).



<b>FLOW</b>	4.2 GPM (1.6 LPM)
<b>FITTING</b>	Connections for 1/2" to 5/8" (13mm to 16mm) ID hose
<b>SIZE</b>	9-7/8" long x 6-1/2" wide x 10" high (25.1cm x 16.5cm x 25.8cm)
<b>WEIGHT</b>	12lb (5.4kg)

MODEL	DESCRIPTION
36900-0200	12V DC, fuse 15 amp, low pressure version. Not available in the USA.
36900-0210	24V DC, fuse 5 amp, low pressure version. Not available in the USA.
36900-1000	12V DC, fuse 15 amp, high pressure version. Not available in the Europe.
36900-1010	24V DC, fuse 5 amp, high pressure version. Not available in the Europe.
30121-0000	Service Kit

For service and spare parts listing, see page 234.

## PAR 36950 Water Pressure Pump

This very popular service-proven pump serves up to four outlets simultaneously and generously.

- 3 GPM (11.4 LPM) open flow output.
- Self-priming and all other benefits as PAR 36900 above.
- Low pressure switch cut-in at 10 psi (0.7 bar), cut-out at 20 psi (1.4 bar).
- High pressure switch cut-in at 20 psi (1.4 bar), cut-out at 40 psi (2.8 bar).
- Complies with USCG 183.410 and ISO 8846 MARINE (Ignition Protection).



<b>FLOW</b>	3 GPM (11.4 LPM)
<b>FITTING</b>	Connections for 1/2" to 5/8" (13mm to 16mm) ID hose
<b>SIZE</b>	7-1/2" long x 6-1/2" wide x 8-1/2" high (19.1cm x 16.5cm x 21.6cm)
<b>WEIGHT</b>	11lb (5kg)

MODEL	DESCRIPTION
36950-2000	12V DC, fuse 8 amp, high pressure version
36950-2010	24V DC, fuse 4 amp, high pressure version
36950-2200	12V DC, fuse 8 amp, low pressure version. Not available in the USA.
36950-2210	24V DC, fuse 4 amp, low pressure version. Not available in the USA.
43990-0061	Service Kit

For service and spare parts listing, see page 235.

# 05 Water Pressure Systems

ACCESSORIES & ACCUMULATOR TANKS



## Aqua Filta™

Aqua Filta™ adsorbs dissolved impurities, freshening and cleansing water to make it natural tasting, sweet smelling and crystal clear.

- Screw-on cartridge is replaced annually, or sooner if necessary, at half the cost of replacement filters.
- Over 200g of silver impregnated activated carbon.
- Beneficial mineral salts are retained.
- Ports accept fitting to either 1/2" (13mm) ID hose or 1/2" (13mm) screw-in fittings for polybutylene or copper plumbing.
- Initial flow capacity up to 3.7 GPM (14 LPM).
- Tough molded components give ample pressure capability, up to 60 psi (4.2 bar).



<b>FITTING</b>	Connections for 1/2" (13mm) ID hose, 5/8" (15mm) Hep <sub>2</sub> 0 and Acorn fittings, 5/8" (15mm) John Guest speedfit and Whale system 15 fittings, and 1/2" (13mm) BSP female threaded fittings.
<b>SIZE</b>	4" wide x 9" high x 5-1/2" deep (10cm x 23cm x 14cm)
<b>WEIGHT</b>	1.1lb (0.5kg)

MODEL	DESCRIPTION
59000-1000	Aqua Filta™. Not available in the USA.
59000-0000	Replacement Filter Cartridge. Not available in the USA.

## Water System Pumpgard™ Strainer



Inlet strainer protects all electric diaphragm pumps.

- Prevents unnecessary pump breakdowns caused by particles in the water.
- Transparent housing allows instant inspection.
- Quick, in-place cleaning of the 40# mesh stainless steel screen.

<b>FITTING</b>	Choose connections for 3/8", 1/2", 3/4" (10mm, 13mm, 19mm) ID hose or 1/2" (13mm) - 14 pipe
<b>SIZE</b>	4-3/4" long x 2-3/4" wide x 2-1/2" high (12cm x 7cm x 6cm)

MODEL	DESCRIPTION
46400-0000	3/4" (19mm) hose barb inlet, 3/4" (19mm) hose barb outlet
46400-0002	1/2" (13mm) hose barb inlet, 1/2" (13mm) hose barb outlet
46400-0003	3/8" (10mm) hose barb inlet, 3/8" (10mm) hose barb outlet
46400-0004	1/2" (13mm) QEST port male inlet, 1/2" (13mm) QEST port male outlet
46400-0010	90° strainer, 3/4" (19mm) hose barb inlet, quad port male outlet
46400-0012	90° strainer, 1/2" (13mm) hose barb inlet, quad port male outlet
46400-0014	90° strainer, 1/2" (13mm) quad port female inlet, quad port male outlet
46400-0030	In-line strainer, 1/2" (13mm) QEST port male inlet, quad port male outlet
46400-0375	3/8" (10mm) NPT female port inlet, 3/8" (10mm) NPT female port outlet
46400-0701	Large in-line strainer (6 GPM/23 LPM), quad port female inlet, quad port female outlet
46400-0711	Large 90° strainer (6 GPM/23 LPM), quad port female inlet, quad port male outlet
46400-0712	Large 90° strainer (6 GPM/23 LPM), 1/2" (13mm) hose barb inlet, quad port male outlet
46400-9000	90° strainer, quad port female inlet, quad port male outlet
46400-9500	90° strainer, quad port female inlet, quad port male outlet
18753-0040	Replacement 40# Mesh Filter

## Water Pressure Regulators

Water Pressure Regulators protect your boat's water system from damaging pressures of unregulated city water hook-ups. Available in two models – permanently installed flush mount or in-line. Both feature brass GHT fittings for potable garden hose connection.

- Limits inlet water pressure to 45 psi (3.1 bar).
- Maintains regulated pressure at various flow rates.
- Compact in-line model only 3" (77mm) long.
- Flush model has unique swivel elbow output.
- Manufactured of food-grade materials.
- Meets all applicable codes and approvals.
- Removable strainer on 44412 models protects plumbing.



<b>FITTING</b>	Flush connections for 3/4" (19mm) GHT female inlet and 1/2" (13mm) - 14 male pipe outlet. In-line connections for 3/4" (19mm) GHT female inlet and 3/4" (19mm) GHT male outlet.
<b>SIZE</b>	Flush: 4-3/8" wide x 4-3/8" high x 3-1/2" deep (11.1cm x 11.1cm x 8.8cm) In-Line: 3" long x 1-1/2" diameter (7.7cm x 3.9cm)
<b>WEIGHT</b>	Flush: 0.41lb (0.2kg) In-Line: 0.2lb (0.1kg)

MODEL	DESCRIPTION
44411-0045	In-line, white, 3/4" (19mm) GHT male outlet, strainer not included
44411-1045	Flush, white, 90° 1/2" (13mm) - 14 male pipe outlet, strainer not included
44411-2045	Flush, chrome, 90° 1/2" (13mm) - 14 male pipe outlet, strainer not included
44412-1045	Flush, white, 1/2" (13mm) female quad port, strainer included
44412-2045	Flush, chrome, 1/2" (13mm) female quad port, strainer included

## Pressurized Accumulator Tanks

Improves all pressure controlled water systems. Our new compact 21oz (0.6L) Accumulator Tank fits into those tight areas and performs all of the same functions as our 1 Quart (1L) model, but in a smaller package.

- Smoother flow, quieter water systems.
- Internal rubber membrane eliminates maintenance and allows universal mounting.
- Better control of hot water temperatures.
- Simply fitted to new or existing systems.
- Longer pump life, lower battery drain.
- Snap-in port fittings.



<b>FITTING</b>	Connections for 1/2" (13mm) ID hose, optional ports available (see below)
<b>SIZE</b>	21oz (0.6L): 4-3/4" wide x 7" high x 4-3/8" deep (12cm x 18cm x 11cm) 1 Quart (1L): 4-3/4" wide x 13-1/4" high x 4-3/8" deep (12cm x 34cm x 11cm)
<b>WEIGHT</b>	21oz (0.6L): 1lb (0.45kg) 1 Quart (1L): 1.6lb (0.7kg)

MODEL	DESCRIPTION
30573-0003	Pressurized 21oz (0.6L) Accumulator Tank
30573-0000	Pressurized 1 Quart (1L) Accumulator Tank
30653-0000	Snap-In Port Fittings for 1/2" (13mm) ID hose
30649-0000	Snap-In Port Fittings for 1/2" (13mm) - 14 pipe
30649-1000	Snap-In Port Fittings for 1/2" (13mm) female threads

## Larger Pressurized Accumulator Tanks

Smooth flow from faucets and showers, reduce pump cycling, eliminate pulsations and water hammer.

- Can be mounted vertically or horizontally.
- Water is totally separated from air chamber by a rubber bladder.
- All models include mounting brackets 18810-0000 (US supply).
- 2 gallon tank NSF-61 listed.



<b>SHUT-OFF PRESSURE</b>	100 psi (6.9 bar) maximum working pressure, pre-pressurized to 20 psi (1.4 bar)
<b>FITTING</b>	Connection for 3/4" (19mm) NPT male thread
<b>SIZE</b>	18810-0000: 12.75" high x 8" diameter (32cm x 20cm) 23240-2000: 8.5" wide x 13" high x 8" deep (22cm x 33cm x 20cm)
<b>WEIGHT</b>	18810-0000: 5.5lb (2.5kg) 23240-2000: 8.25lb (3.75kg)

MODEL	DESCRIPTION
18810-0000	2 gallon (7.5L) tank
23240-2000	1.75 gallon (8L) tank

# 06 Washdown Pumps



## PAR-Max Washdown Kit



Jabco offers boaters several washdown pumps at ideal flow and pressure for washdown. Washdown pumps are ideal for cleaning decks, cockpits and anchors on yachts of a range of sizes and can be connected to sea or fresh water. Both units come with an intake strainer, spray nozzle and quick-connect 3/4" (19mm) hose barb fittings.

- High pressure jet blasts mud and silt from anchor chain and decks.
- Waterproof with sealed motor and sealed pressure switch for mounting in exposed positions.
- Thermal overload protection automatically stops the motor if it overheats.
- Dry running.
- Soft rubber mounts.
- Corrosion resistant.
- Complies with USCG 183.410 and ISO 8846 MARINE (Ignition Protection).
- Supplied complete with Pumpgard™ and trigger nozzle.

MODEL	DESCRIPTION
30703-1000	Quick-Disconnect Nozzle with 3/4" (19mm) GHT snap-in connector.
30704-1000	Quick-Disconnect Nozzle attaches permanently to 1/2" (13mm) hose.
46400-0000	Pumpgard™ Strainer for North America
46400-0002	Pumpgard™ Strainer for Europe
31911-0000	Deck Fitting, 1/2" (13mm) NPT female inlet with one 3/4" (19mm) GHT male hose adapter
31911-0007	Deck Fitting, 1/2" (13mm) BSP female inlet with one 3/4" (19mm) BSP male hose adapter
31911-0002	Hose Adapter

## PAR-Max 3.0 GPM Washdown Pump

- Suitable for marine washdown.
- Self-priming up to 10' (3m).

Included



<b>FLOW</b>	3.0 GPM (11.4 LPM)
<b>SHUT-OFF PRESSURE</b>	50 psi (3.5 bar)
<b>FITTING</b>	Connections for 3/4" (19mm) straight hose barb
<b>SIZE</b>	9" long x 4.24" wide x 4.75" high (22.9cm x 10.6cm x 12.1cm)
<b>WEIGHT</b>	3.5lb (1.6kg)

MODEL	DESCRIPTION
32305-0092	12V DC, fuse 10 amp, 4.4 amp draw @ 10 psi, two 3/4" (19mm) straight hose barbs, strainer, nozzle
32305-0094	24V DC, fuse 5 amp, 2.2 amp draw @ 10 psi, two 3/4" (19mm) straight hose barbs, strainer, nozzle
32305-0392	12V DC, fuse 10 amp, 4.4 amp draw @ 10 psi, two 3/4" (19mm) straight hose barbs, strainer, nozzle
32305-0394	24V DC, fuse 5 amp, 2.2 amp draw @ 10 psi, two 3/4" (19mm) straight hose barbs, strainer, nozzle
32901-0092	12V DC, fuse 10 amp, 4.4 amp draw @ 10 psi, two 3/4" (19mm) straight hose barbs, strainer, nozzle, 25' (7.6m) hose coil
32901-0094	24V DC, fuse 5 amp, 2.2 amp draw @ 10 psi, two 3/4" (19mm) straight hose barbs, strainer, nozzle, 25' (7.6m) hose coil

## PAR-Max 4.0 GPM Washdown Pump

- Suitable for high pressure applications
- Self-priming up to 10' (3m).

Included



<b>FLOW</b>	4.0 GPM (15 LPM)
<b>SHUT-OFF PRESSURE</b>	60 psi (4 bar)
<b>FITTING</b>	Connections for 3/4" (19mm) ID hose
<b>SIZE</b>	9" long x 4.24" wide x 4.75" high (22.9cm x 10.6cm x 12.1cm)
<b>WEIGHT</b>	5lb (2.1kg)

MODEL	DESCRIPTION
32605-0092	12V DC, fuse 10 amp, 4.4 amp draw @ 10 psi, two 3/4" (19mm) straight hose barbs, strainer, nozzle
32605-0094	24V DC, fuse 5 amp, 2.2 amp draw @ 10 psi, two 3/4" (19mm) straight hose barbs, strainer, nozzle
32605-0392	12V DC, fuse 10 amp, 4.4 amp draw @ 10 psi, two 3/4" (19mm) straight hose barbs, strainer, nozzle
32605-0394	24V DC, fuse 5 amp, 2.2 amp draw @ 10 psi, two 3/4" (19mm) straight hose barbs, strainer, nozzle
32900-0092	12V DC, fuse 10 amp, 4.4 amp draw @ 10 psi, two 3/4" (19mm) straight hose barbs, strainer, nozzle, 25' (7.6m) hose coil
32900-0094	24V DC, fuse 5 amp, 2.2 amp draw @ 10 psi, two 3/4" (19mm) straight hose barbs, strainer, nozzle, 25' (7.6m) hose coil

## HotShot Series



Robust five chamber, patented co-injected molded diaphragm and larger heavy-duty motor brushes significantly extend pump life by up to 50%. The HotShot Series Washdown Pumps are available in 4.0 GPM (15.1 LPM), 5.0 GPM (18.9 LPM) and 6.0 GPM (22.7 LPM) with pressures up to 70 psi (4.8 bar) and are self-priming up to 10' (3m).

- Sealed switch and co-molded diaphragm eliminates leak paths, extending the life of the pump by up to 50%.
- Ergonomically designed spray nozzle provides powerful and accurate fire power with every shot.
- Quick-disconnect ports allow for adjustability and ease of installation.
- Kits include spray nozzle, fitting, Pumpgard™ strainer and hose.
- Improved noise dampening rubber feet significantly minimize vibration when mounted against hard surfaces.
- Available in 12V or 24V DC.
- Certified to EN ISO 8846 Marine (Ignition Protection).

<b>FLOW</b>	4.0 GPM (15 LPM), 5.0 GPM (18.9 LPM) or 6.0 GPM (22.7 LPM)
<b>SHUT-OFF PRESSURE</b>	70 psi (4.8 bar)
<b>FITTING</b>	Connections for 3/4" (19mm) straight hose barb
<b>SIZE</b>	4.0 GPM: 9.91" long x 5.09" wide x 4.34" high (25.2cm x 12.9cm x 11.1cm) 5.0 and 6.0 GPM: 10.6" long x 5.09" wide x 4.34" high (26.9cm x 12.9cm x 11.1cm)
<b>WEIGHT</b>	4.0 GPM: 7.6lb (3.5kg) 5.0 and 6.0 GPM: 7.6lb (3.5kg)

### 4.0 GPM MODELS

MODEL	DESCRIPTION
82405-0092	12V DC, fuse 20 amp, 13 amp draw maximum, two 3/4" (19mm) straight hose barbs, strainer, nozzle
82405-0094	24V DC, fuse 15 amp, 7 amp draw maximum, two 3/4" (19mm) straight hose barbs, strainer, nozzle
82904-0092	12V DC, fuse 20 amp, 13 amp draw maximum, two 3/4" (19mm) straight hose barbs, strainer, nozzle, 25' (7.6m) hose coil
82904-0094	24V DC, fuse 15 amp, 7 amp draw maximum, two 3/4" (19mm) straight hose barbs, strainer, nozzle, 25' (7.6m) hose coil

### 5.0 GPM MODELS

MODEL	DESCRIPTION
82505-0092	12V DC, fuse 20 amp, 16 amp draw maximum, two 3/4" (19mm) straight hose barbs, strainer, nozzle
82505-0094	24V DC, fuse 15 amp, 8 amp draw maximum, two 3/4" (19mm) straight hose barbs, strainer, nozzle
82905-0092	12V DC, fuse 20 amp, 16 amp draw maximum, two 3/4" (19mm) straight hose barbs, strainer, nozzle, 25' (7.6m) hose coil
82905-0094	24V DC, fuse 15 amp, 8 amp draw maximum, two 3/4" (19mm) straight hose barbs, strainer, nozzle, 25' (7.6m) hose coil

### 6.0 GPM MODELS

MODEL	DESCRIPTION
82605-0092	12V DC, fuse 25 amp, 18 amp draw maximum, two 3/4" (19mm) straight hose barbs, strainer, nozzle
82605-0094	24V DC, fuse 15 amp, 9 amp draw maximum, two 3/4" (19mm) straight hose barbs, strainer, nozzle
82906-0092	12V DC, fuse 25 amp, 18 amp draw maximum, two 3/4" (19mm) straight hose barbs, strainer, nozzle, 25' (7.6m) hose coil
82906-0094	24V DC, fuse 15 amp, 9 amp draw maximum, two 3/4" (19mm) straight hose barbs, strainer, nozzle, 25' (7.6m) hose coil

# 07 Oil Change & Diesel Transfer Pumps

OIL CHANGE PUMPS

**JABSCO®**

## Porta-Quick™



The Porta-Quick™ Portable Oil Changer makes quick, clean and easy oil changes onboard any boat because it uses the vessel's own power supply to operate the powerful oil reservoir mounted flexible impeller pump.

- 14 quart (13L) container easily handles two engines.
- Pump is reversible to both drain and refill engine oil.
- Sturdy bronze pump head.
- High temperature resistant Teflon™ dipstick probe.
- Non-collapsible thick wall suction hose.
- Garden hose thread adapter included for dipsticks with GHT male threaded ends.
- Complies with USCG 183.410 and ISO 8846 MARINE (Ignition Protected).

<b>SIZE</b>	15-5/8" high x 13-1/2" diameter (35cm x 34cm) Hose: 1/2" (13mm) ID x 48" (120cm) long Probe: 1/4" (6.5mm) OD x 40" (100cm) long
<b>WEIGHT</b>	9lb (4.1kg)

MODEL	DESCRIPTION
17800-2000	Oil Changer, 12V DC, fuse 15 amp (Non CE)
17800-2024	Oil Changer, 24V DC, fuse 8 amp
9200-0023-P	Replacement Nitrile Impeller
18753-0608	Teflon™ Probe
17795-1000	Black Hose



## Oil Change Pump

The Oil Change Pump is the same high-quality pump used in the Jabsco Multi-Engine Oil Change System. The powerful pump can change oil in a typical V-8 engine in just minutes.



- Pump is reversible to both drain and refill engine oil.
- Self-priming to 3' (1m) of lift.
- Includes 3/8" NPT full flow ball valve.
- Reversing switch guard to avoid accidental activation.
- Complies with USCG 183.410 and ISO 8846 MARINE (Ignition Protected).

<b>FITTING</b>	Connections for 3/8" NPT male threaded fitting
<b>SIZE</b>	7-7/8" long x 3-3/4" wide x 4-7/16" high (20cm x 10cm x 11cm)
<b>WEIGHT</b>	9lb (4.1kg)

MODEL	DESCRIPTION
17830-0012	Oil Change Pump, 12V DC, fuse 15 amp
17830-0024	Oil Change Pump, 24V DC, fuse 8 amp
9200-0023-P	Nitrile Impeller

For service and spare parts listing, see page 226.

## Do-It-Yourself Oil Changer

The Do-It-Yourself Oil Changer is simple to use, and offers quick and easy oil changes for the leisure boat owner.



- Fully assembled.
- 14 quart (13L) container.
- Tested for 1400 cycles.
- 8' (2.49m) dipstick hose.

<b>SIZE</b>	15" high x 14" diameter (35cm x 34cm)
<b>WEIGHT</b>	6lb (2.7kg)

MODEL	DESCRIPTION
17850-1012	12V DC, fuse included

## Flat Tank Oil Changer System

The Jabsco Flat Tank Oil Changer System simplifies the engine oil changing process. Ideal for changing engine oil in boats, RVs, lawn and garden equipment. There is no need to worry about open containers causing spills when changing engine oils with the 3-1/2 gallon (13L) compact self-contained unit fitted with a self-priming diaphragm pump with an easy-pour spout for emptying. The Flat Tank design allows for easy storage in deck boxes, boat storage lockers or RV storage compartments. Easy to use, clean and efficient dipstick suction tube, battery clamp wire leads and on/off pump switch.



- Stores easily.
- Compact, robust tank design.
- Easy-pour spout with screw-on cap.
- Easy-to-carry handle.
- 3-1/2 gallon (13L) sealed container.
- Self-priming, run-dry pump.
- Battery Leads: 6' (1.8m) with alligator clips.
- Suction Tube: 8' (2.4m), oil and heat resistant.
- Powerful 12V DC motor makes oil changing quick and simple.
- 6' (2m) electrical wire for easy connection to 12 volt power supply.
- Battery clamp leads and on/off switch to make pumping process quick and simple.

<b>SIZE</b>	12" wide x 19" high x 6.5" deep (30.5cm x 48.3cm x 16.5cm)
<b>WEIGHT</b>	7lb (3.17kg)

MODEL	DESCRIPTION
17860-2012	12V DC, fuse 5 amp

# 07 Oil Change & Diesel Transfer Pumps

**JABSCO®**

OIL CHANGE PUMPS

## Oil Change System

The Oil Change System consists of a robust, self-priming flexible impeller pump mounted to an easy-to-install base and coupled to a five-port manifold, factory fitted with three full-flow ball valves.



- The system includes a pump reversing switch to pump used oil out and new oil in.
- The system cover includes a hinged valve cover to protect them from being accidentally opened.
- The valve cover will not close after an oil change unless valves are securely closed.
- Complies with USCG 183.410 and ISO 8846 MARINE (Ignition Protected).

<b>SIZE</b>	10-7/8" wide x 5-1/4" high x 11" deep (28cm x 13cm x 28cm)
<b>WEIGHT</b>	9lb (4.1kg)

MODEL	DESCRIPTION
17820-0012	Oil Change System, 12V DC, fuse 15 amp
17820-0024	Oil Change System, 24V DC, fuse 8 amp
9200-0023	Replacement Nitrile Impeller
98024-0000	Additional 1/2" (13mm) Ball Valve

For service and spare parts listing, see page 226.

## Engine Oil Drain Pump

Polished brass hand pump connects directly to engine oil dipstick tube on many popular marine engines such as OMC and MerCruiser.



- Screws onto threaded male 3/4" garden hose.
- GHT fitting on top of dipstick tube.
- Gives simple "one-hand" pumping.
- Complete with 2' (60cm) of 1/2" (13mm) ID drain hose.

<b>FITTING</b>	Connection for 3/4" (19mm) GHT male thread
<b>SIZE</b>	10-1/4" long x 1-1/4" diameter (26cm x 3.2cm)
<b>WEIGHT</b>	1lb (0.5kg)

MODEL	DESCRIPTION
34060-0130	Engine Oil Drain Pump

## Permanent Oil Drain Hose Kit

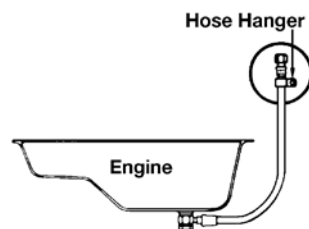
The Jabsco Oil Drain Hose Kit includes a drain plug fitting, oil drain hose assembly, hose hanger and a cap. This kit provides an easy method of connecting to several pump types for neat and easy oil removal.

- Reinforced flexible oil-rated drain hose.
- 1/2" (13mm) 20 thread oil drain fitting with two hose connection points to assure hose is oriented in desired direction.
- Hose hanger secures hose end above oil.
- Threaded cap seals hose end.



### NOTE

Not recommended for automobiles with drain plugs exposed to potential road hazard damage.



<b>FITTING</b>	Drain Fitting: 1/2" (13mm) 20 thread
<b>SIZE</b>	Hose: 3/8" (10mm) ID x 48" (120cm) long
<b>WEIGHT</b>	1lb (0.5kg)

MODEL	DESCRIPTION
18080-0000	Hose and Drain Fitting. Carton: 12 kits.

## Handy Boy Utility Pump

Versatile, polished brass multi-purpose hand pump.

- Drain, fill or top off engine and gearbox oil.
- Overcomes problem of hard-to-reach drain plugs and filler caps.
- Oil- and corrosion-resistant brass neoprene construction with up to 1.5 GPM (6 LPM) output.
- 1001 other uses on any boat.



<b>FITTING</b>	Connection for 1/2" (13mm) ID hose. Foot adapter for 1/2" (13mm) ID hose. One 1/2" (13mm) ID hose, one 5/16" (8mm) probe, one 1/4" (6mm) probe.
<b>SIZE</b>	12" long x 1-1/4" diameter (31cm x 3.2cm)
<b>WEIGHT</b>	2lb (0.9kg)

MODEL	DESCRIPTION
33799-0000	Handy Boy Utility Pump

## Little Pal Utility Pump

Compact, polished brass multi-purpose hand pump.

- Ideal for small engine and gearbox oil drain.
- Simply pump old oil out with dipstick probe.
- Oil- and corrosion-resistant brass and neoprene construction with up to 1 GPM (4 LPM) output.
- Small enough to fit any tool box.



<b>FITTING</b>	Connection for 1/2" (13mm) ID hose. One 1/4" (6mm) probe.
<b>SIZE</b>	10-1/4" long x 1-1/4" diameter (26cm x 3.2cm)
<b>WEIGHT</b>	1lb (0.5kg)

MODEL	DESCRIPTION
34060-0010	Little Pal Utility Pump

## Slimline Pumps

Rule has developed a family of compact combination submersible and in-line pumps and portable pump kits designed for a wide variety of uses, both onboard and ashore. There are four models in the Slimline Series which include strainers for use in submersible mode or, when the filter is removed, for use in the in-line pumping mode. These pumps are capable of pumping hot or cold fresh water, seawater, antifreeze and even diesel. The pumps can be used to pump bilge water from tight spaces, as deck showers, for general washdown, water and diesel transfer or engine winterizing.

- Delivers up to 500 GPH (1920 LPH).
- Pumps fresh and seawater, diesel and anti-freeze.
- Washdown for cars, vehicles, anchors and decks.
- Deck shower.
- Under engine bilge pumping.
- Diesel refueling and transfer.
- Garden watering.
- Container filling and emptying.
- Sink draining.
- Engine winterizing.

iL500P



iL280PK

MODEL	DESCRIPTION
iL500P	500 GPH (1920 LPH), 12V DC
iL500P-24	500 GPH (1920 LPH), 24V DC
iL280P	280 GPH (1080 LPH), 12V DC
iL280P-24	280 GPH (1080 LPH), 24V DC
iL200P	200 GPH (760 LPH), 12V DC
iL200P-24	200 GPH (760 LPH), 24V DC
iL200	200 GPH (760 LPH), 12V DC. Not for use with diesel.
iL500PK Kit	500 GPH (1920 LPH), 12V DC, 13' (4m) lay flat pvc/nitrite hose
iL500PK-24 Kit	500 GPH (1920 LPH), 24V DC, 13' (4m) lay flat pvc/nitrite hose
iL280PK Kit	280 GPH (1080 LPH), 12V DC, 13' (4m) lay flat pvc/nitrite hose
iL280PK-24 Kit	280 GPH (1080 LPH), 24V DC, 13' (4m) lay flat pvc/nitrite hose
iL200K Kit	200 GPH (760 LPH), 12V DC, 9' (3m) lay flat food quality hose. Not for use with diesel.

# 07 Oil Change & Diesel Transfer Pumps



## DIESEL TRANSFER PUMPS

### Sliding Vane 18680 – 6 GPM

Light duty, 30-minute-rated diesel pump.

- 6 GPM (23 LPM) at 10' (3m) head.
- 30' (9m) maximum total head.
- Self-priming up to 3' (1m) vertical lift.
- Duty Cycle: 30 minutes at 10' (3m) at 86°F (30°C).
- Rugged bronze pump head.
- Complies with USCG 183.410 and ISO 8846 MARINE (Ignition Protection).



<b>FITTING</b>	Connections for 1/2" (13mm) NPT and 1" (25mm) ID hose
<b>SIZE</b>	7" long x 4-3/4" wide x 3-3/8" high (18cm x 12cm x 9cm)
<b>WEIGHT</b>	5.5lb (2.5kg)

MODEL	DESCRIPTION
18680-0920	12V DC model
18680-0940	24V DC model
90200-0001	Service Kit

For service and spare parts listing, see page 229.

### Sliding Vane 18680 – 6 GPM Reversible

Light duty, 30-minute-rated diesel pump with integral reversing switch.

- 5 GPM (19 LPM) at 10' (3m) head.
- 20' (6m) maximum total head.
- Self-priming up to 3' (1m) vertical lift.
- 22°F (-30°C) to 100°F (+40°C) operating temperature range.
- Duty Cycle: 30 minutes at 10' (3m) at 86°F (30°C).
- Complies with USCG 183.410 and ISO 8846 MARINE (Ignition Protection).



<b>FITTING</b>	Connections for 1/2" (13mm) NPT and 1" (25mm) ID hose
<b>SIZE</b>	8" long x 4-3/4" wide x 3-1/4" high (20cm x 12cm x 8cm)
<b>WEIGHT</b>	5.5lb (2.5kg)

MODEL	DESCRIPTION
18680-1000	12V DC model fitted with reversing switch
90201-0000	Service Kit

For service and spare parts listing, see page 229.

### Sliding Vane 18685 – 7 GPM

Continuously rated duty, AC diesel or light oil transfer pump.

- 7.8 GPM (29.5 LPM) output at 10' (3m) total head.
- Self-priming up to 5' (1.5m) vertical lift.
- 20' (6m) maximum head.
- Fitted with thermal overload protection and 6' (183cm) power cord with 3-prong grounded plug.



<b>FITTING</b>	Connections for 1/2" (13mm) NPT or 1" (25mm) ID hose
<b>SIZE</b>	9-1/2" long x 4-3/4" wide x 6" high (24cm x 12cm x 15cm)
<b>WEIGHT</b>	14.5lb (6.5kg)

MODEL	DESCRIPTION
18685-0000	115V AC model, 1/8hp, 60Hz, TENV, 3450 rpm (Non CE)

For service and spare parts listing, see page 229.



## WARNING

Sliding vane pumps must not be used for gasoline, petroleum products or any fluid with a flash point below 98°F (37°C).

## Sliding Vane VF040

Light duty diesel pump.

- 10 GPM (38 LPM) at 10' (3m) head.
- 22' (7m) maximum total head.
- Self-priming up to 9' (2.8m) vertical lift.
- 22°F (-30°C) to 104°F (+40°C) operating temperature range.
- 30 minutes at 10' (3m) at 86°F (30°C)
- IP55 and thermally protected motor.
- Integral switch fitted as standard.
- Accessories available.
- ISO 8846 MARINE (Ignition Protection).



<b>FITTING</b>	Connections for 3/4" (19mm) ID hose
<b>SIZE</b>	8" long x 5" wide x 6-1/4" high (20cm x 13cm x 16cm)
<b>WEIGHT</b>	4.4lb (2kg)

MODEL	DESCRIPTION
VF040-012-6120A	12V DC model, fitted switch
VF040-024-6120A	24V DC model, fitted switch
SK422-0025	Service Kit

For service and spare parts listing, see page 229.

## Sliding Vane VF060

Continuously rated, diesel pump.

- 20 GPM (68 LPM) at 10' (3m) total head.
- Self-priming up to 9.6' (3m) vertical lift.
- Integral switch and ports as standard.
- 22°F (-30°C) to 104°F (+40°C) operating temperature range.
- IP55 and thermally protected motor.
- ISO 8846 MARINE (Ignition Protection).



<b>FITTING</b>	Connections for 1" (25mm) ID hose
<b>SIZE</b>	8" long x 5" wide x 6-1/4" high (20cm x 13cm x 16cm)
<b>WEIGHT</b>	11lb (5kg)

MODEL	DESCRIPTION
VF060-024-6120A	24V DC model, fitted switch, 1" (25mm) ID hose
SK422-0035	Service Kit

For service and spare parts listing, see page 229.

## Sliding Vane VF100

Heavy-duty, continuously rated, diesel pump.

- 29 GPM (110 LPM) at 10' (3m) total head.
- Self-priming up to 16' (5m) vertical lift.
- 22°F (-30°C) to 104°F (+40°C) operating temperature range.
- IP55 and thermally protected motor.
- ISO 8846 MARINE (Ignition Protection).



<b>FITTING</b>	Connections for 1-1/4" (32mm) ID hose
<b>SIZE</b>	10" long x 5-1/2" wide x 6-3/4" high (25cm x 14cm x 17cm)
<b>WEIGHT</b>	19.8lb (9kg)

MODEL	DESCRIPTION
VF100-024-6120A	24V DC model, fitted switch, 1-1/4" (32mm) ID hose
SK422-0045	Service Kit

For service and spare parts listing, see page 229.

# 08 General Purpose Pumps

INTRODUCTION



## Ballast Pumps



Today's wakeboard and ski tow boats need to be able to take on water ballast to modify their wake formation. A development of our tried and tested Puppy Pumps lets these specialty craft rapidly take on and dump ballast, while modern electronics guard against dry running damage to the impeller.

## Circulation Pumps



Centrifugal pumps are the correct product for closed-circuit circulation systems, such as livewell circulation, washdown, central heating and other flooded suction applications. Jabsco offers purpose designed pumps capable of arduous commercial duty.

## Drill Pumps



Our drill pumps are old favorites whose multiple uses keep them in constant demand.

# General Purpose Pumps 08

SHOWER & SINK DRAIN PUMPS

## Shower & Sink Drain



Jabsco and Rule's broad range of pump types means that we can provide a choice of solutions according to your needs and budget. Diaphragm pumps such as 50880 and PAR-Max are the choice of charter operators – quiet and dry running. Many knowledgeable owners still appreciate the ability of our Puppy Pumps to handle a wide range of debris.

## AC Pumps



Jabsco bronze bodied AC motor pumps are self-priming, portable and versatile, making them ideal for a wide range of applications wherever AC power is available.

## Shower Drain

A compact, full-capacity shower drain system. Automatically turns on after the water starts and shuts off when the water is removed. Activated by a non-mercury Rule-a-Matic® Plus™ float switch. Available with one or three inlet ports which offer varying combinations of inlet hose. Other features include a clear screw-down cover, a removable strainer for easy cleaning and an internal check valve to prevent back flow.



<b>DISCHARGE</b>	3/4" (19mm)
<b>SIZE</b>	11-1/4" long x 8-1/4" wide x 5-1/2" high (28.6cm x 21cm x 14cm)

MODEL	DESCRIPTION
98A	Multi-Port Inlet Pump, 800 GPH (3028 LPH)
98A-24	Multi-Port Inlet Pump, 800 GPH (3028 LPH), 24V DC model

## Shower Drain Pump

Robust diaphragm pump suitable for shower and sink drain applications with a multi-positional pump head.



- 4.2 GPM (16 LPM) open flow output at 3' (1m) head.
- Self-priming up to 10' (3m) vertical lift allows mounting above wet bilges.
- Flexible installation.
- Compact and simple design.
- Filter-less.
- Quiet running.
- Capable of extensive dry running.
- Corrosion-resistant parts.
- Complies with USCG 183.410 and ISO 8846 MARINE (Ignition Protection).
- ISO 8849 MARINE (Bilge Pump Standard).

<b>FITTING</b>	Connections for 3/4" (19mm) ID hose
<b>SIZE</b>	11.7" long x 5.9" wide x 4.4" high (29.7cm x 15cm x 11.1cm)
<b>WEIGHT</b>	6lb (2.7kg)

MODEL	DESCRIPTION
50880-1000	12V DC model, fuse 10 amp
50880-1100	24V DC model, fuse 5 amp
SK880	Service Kit

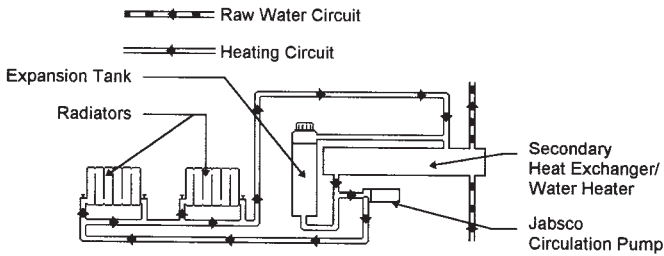
For service and spare parts listing, see page 231.

# 08 General Purpose Pumps

CIRCULATION PUMPS



## Marine Central Heating System



Jabsco has a range of circulation pumps for use in low pressure circulation applications such as marine central heating systems. Jabsco circulation pumps are designed for reliability and ease of use.

This system provides central heating which works just like the heating system in the home. Jabsco circulation pumps can be used to circulate heated coolant water heater from an engine's re-circulating fresh water system through radiators in the vessel living spaces. These radiators can be individually adjusted to provide the best and most comfortable conditions.

## Magnetic Drive Circulation Pumps



The Jabsco Magnetic Drive Brushless DC Pumps offer exceptional life and reliability. The motors last in excess of 10,000 hours, and the seal-less pump heads remove any chance of leaks.

- Up to 6 GPM (28 LPM) open flow.
- Rugged and simple design.
- Versatile – will handle high temperatures and chemicals.
- Designed for continuous use.

<b>FITTING</b>	59510: 3/4" (19mm) hose 59520: 1/2" (13mm) BSP, brass head 59530: 3/4" (19mm) hose, normal head
<b>SIZE</b>	59510: 3.8" long x 3.4" wide x 2.7" high (97mm x 85mm x 69mm) 59520/59530: 3.7" long x 3.5" wide x 3.5" high (95mm x 85mm x 85mm)
<b>WEIGHT</b>	59510: 0.5lb (0.2kg) 59520/59530: 1.5lb (0.68kg)

MODEL	DESCRIPTION
59510-0012	12V DC, fuse 2 amp
59520-0000	8-24V DC, fuse 2.5 amp
59530-0000	8-24V DC, fuse 2.5 amp

## Cyclone® Circulation Pump



50840 Series  
Low Pressure Pump

50860 Series  
High Pressure Pump

Robust, high efficiency and flow, long-life circulation pumps. Typical applications include hot and cold water systems, windscreen washing, livewell and bait tank systems and liquid transfer.

- 29 GPM (110 LPM) maximum flow.
- Low and high pressure versions available.
- Robust stainless steel body and anti-clogging design impeller.
- Only one tool needed for all servicing.
- Complies with USCG 183.410 and ISO 8846 MARINE (Ignition Protection).
- ISO 8849 MARINE (Bilge Pump Standard).

<b>FITTING</b>	Connections for 3/4" (19mm) NPT or BSP
<b>SIZE</b>	50840 Series: 6" long x 6-1/2" wide x 5" high (15cm x 16cm x 12cm) 50860 Series: 9" long x 4-1/2" wide x 5" high (22cm x 11cm x 12cm)
<b>WEIGHT</b>	50840 Series: 15lb (6.8kg) 50860 Series: 23lb (10.5kg)

MODEL	DESCRIPTION
50840-0012	Low pressure, 12V DC, NPT ports, fuse 10 amp
50840-0024	Low pressure, 24V DC, NPT ports, fuse 7 amp
50840-2012	Low pressure, 12V DC, BSP ports, fuse 10 amp
50840-2024	Low pressure, 24V DC, BSP ports, fuse 7 amp
50860-0012	High pressure, 12V DC, NPT ports, fuse 25 amp
50860-0024	High pressure, 24V DC, NPT ports, fuse 13 amp
50860-2012	High pressure, 12V DC, BSP ports, fuse 25 amp
50860-2024	High pressure, 24V DC, BSP ports, fuse 13 amp

For service and spare parts listing, see page 229.

MODEL NUMBER	END COVER SCREW	GASKET/O-RING	IMPELLER	SEAL
50860-0012	91095-6325	X4020-369A	50871-0100	96080-6564
50860-0024	91095-6325	X4020-369A	50871-0100	96080-6564
50860-2012	91095-6325	X4020-369A	50871-0100	96080-6564
50860-2024	91095-6325	X4020-369A	50871-0100	96080-6564



# General Purpose Pumps 08

## DOCKSIDE UTILITY & PORTABLE PUMPS

### 53080 Dockside Utility Pump – 230V

Heavy-duty 220 volt AC general utility pump for dockside pump-out duties.

- 17.6 GPM (67 LPM) output 10' (3m).
- Primes from dry up to 10' (3m).
- Built-in dry running protection for 30 minutes after initial prime.
- Handles hard and soft solids without clogging.
- Choice of nitrile impeller for oil-based products or neoprene for water-based products.
- Not available in the USA.



<b>FITTING</b>	Connections for 1-1/2" (38mm) BSP
<b>SIZE</b>	13" long x 9-1/2" wide x 9-1/2" high (33cm x 24cm x 24cm)
<b>WEIGHT</b>	33lb (15kg)

MODEL	DESCRIPTION
53080-2003	220V AC, 50Hz model, nitrile impeller
53080-2001	220V AC, 50Hz model, neoprene impeller
SK411-0003	Service Kit, nitrile
SK411-0001	Service Kit, neoprene

### 53040 Dockside Utility Pump – 230V

Heavy-duty 220 or 110 volt AC general utility pump for dockside pump-out duties.

- 8.8 GPM (33.3 LPM) output 10' (3m) total head.
- Primes from dry up to 10' (3m).
- Built-in dry running protection for 30 minutes after initial prime.
- Handles hard and soft solids without clogging.
- Choice of nitrile impeller for oil-based products or neoprene for water-based products.
- Not available in the USA.



<b>FITTING</b>	Connections for 1" (25mm) BSP
<b>SIZE</b>	11-1/2" long x 8-1/4" wide x 8-3/4" high (29cm x 21cm x 23cm)
<b>WEIGHT</b>	21lb (9.5kg)

MODEL	DESCRIPTION
53040-2003	220V AC, 50Hz model, nitrile impeller
53040-2021	220V AC, 50Hz model, neoprene impeller
53040-2103	110V AC, nitrile impeller
SK409-0003	Service Kit, nitrile
SK409-0021	Service Kit, neoprene

### Portable Pumps

Constructed of sturdy ABS plastic with comfort-grip handle, providing smooth firm strokes. Available in 24" (61cm) with hose and 48" (122cm) with hose.



MODEL	DESCRIPTION
165	8 GPM (30 LPM) with 24" (61cm) hose
168	10 GPM (38 LPM) with 48" (122cm) hose

# 08 General Purpose Pumps

DRILL PUMPS & GENERAL PUMPS



## Drill Pumps



Jabco Drill Pumps provide a very versatile means of transferring fluid almost anywhere an electric drill with 1/4" to 3/8" (6mm to 10mm) chuck can be operated. They provide easy, powered pumping almost anywhere a hand utility pump might be used.

- Pumps up to 3.5 GPM (13 LPM).
- Self-priming to 3' (1m).
- 1/4" (6mm) diameter shaft.
- Supplied with 3/4" (19mm) garden hose thread port adapters.
- Model 17215-0000 includes accessories for oil changing.

<b>FITTING</b>	Connections for 1/2" (13mm) ID hose and 3/4" GHT female threaded fittings
<b>SIZE</b>	3-5/16" long x 3-1/2" wide x 2-3/16" high (84mm x 89mm x 56mm)
<b>WEIGHT</b>	0.5lb (0.2kg)

MODEL	DESCRIPTION
17250-0003	Pump (boxed) with two GHT port adapters
17215-0000	Pump (poly bagged with header card) with two GHT port adapters, 1/4" x 40" (6mm x 102cm) probe and 1/2" x 36" (13mm x 91cm) hose for changing oil through a dipstick tube. Carton: 12 boxed or bagged units.
17255-0003-P	Replacement Nitrile Impeller and Shaft



### WARNING

Explosion hazard. Pumps with AC motors can spark. Explosion and death can occur. Do not use where flammable vapors are present.

Always use a RCD circuit breaker when using electrical equipment near water. Always ensure that equipment is properly grounded.

## High Speed Inflator/Deflator



The Rule High Speed Inflator/Deflator inflates a typical 4-man dinghy in as little as one to two minutes. Adjustable nozzles have been included for most inflatables and valve types. Inflator kit available for replacement adapters.

- 12 volt, 25 amp, maximum 2.6 psi, 20 CFM.
- 10' (3m) cable length with battery clips.
- Pre-lubricated and sealed bearings to ensure long life.
- Robust fan drive belt for long life.
- Adjustable nozzles for most inflatables and valve types included.
- Grip pad for one-handed operation.
- For replacement adapters, Model iD20K Inflator

MODEL	DESCRIPTION
iD20	Inflator/Deflator with Adapters
iD20K	Replacement Adapter Kit

## General Purpose Centrifugal Pumps



The Rule General Purpose Pump is designed for use as a washdown pump and/or to circulate water to your livewell tanks. Heavy-duty construction for commercial or pleasure boat use. 1-1/2" (38mm) inlet and 1-1/2" (38mm) discharge outlet. The Rule General Purpose Pump must be mounted below the waterline. It does not deliver high pressure, nor is it self-priming. It pumps lots of water, but at low pressure. 12 volt DC unless noted.

MODEL	DESCRIPTION
17A	Non-automatic, 3800 GPH (14380 LPH)
18A	Non-automatic, 3700 GPH (14002 LPH), 24V DC
19A	Non-automatic, 3700 GPH (14002 LPH), 32V DC

# General Purpose Pumps 08

BALLAST PUMPS

## Ballast Puppy



Jabsco now offers wakeboard and ski boat water ballasting pumps. These pumps can deliver almost 80 pounds (10 gallons) of water ballast per minute.

- 9 GPM (40 LPM).
- Fills a typical 40 gallon ballast tank in under 5 minutes.
- Reversible to both fill and empty ballast tanks.
- Self-priming and non-airlocking.
- Exclusive (patent pending) Run-Dry Protection shuts off pump before impeller is damaged.
- Complies with USCG 183.410 and ISO 8846 MARINE (Ignition Protection).

<b>FITTING</b>	1" (25mm) hose barb or 1/2" (13mm) NPT internal thread
<b>SIZE</b>	7-1/8" long x 4-3/4" wide x 3-5/8" high (18cm x 12cm x 9cm)
<b>WEIGHT</b>	6lb (2.7kg)

MODEL	DESCRIPTION
18220-1127	Reversing switch included
18220-2127	Reversing switch not included
18220-9127	Deutsch connector, no reversing switch
6303-0007	Replacement Impeller

For service and spare parts listing, see page 226.

## Ballast King



Utilizing our reversible flexible impeller pump technology, ballast systems can be filled or emptied with the new Ballast King – 15 GPM. Ballast systems fitted with our Reversing Polarity Switch can fill or empty ballast tanks with one pump in minutes.

- Includes run-dry impeller.
- 15 GPM (57 LPM) flow rate.
- Ballast King adds approximately 125 pounds of ballast water per minute.
- Reversible pump both fills and empties ballast tanks.
- Ballast King is self-priming to 4' (1.2m).
- Available with or without Reversing Polarity Switch to fill or empty ballast tanks.
- Complies with USCG 183.410 and ISO 8846 MARINE (Ignition Protected).

<b>FITTING</b>	1" (25mm) hose barb or 1/2" (13mm) NPT internal thread
<b>SIZE</b>	8" long x 4-3/4" wide x 4" high (20.5cm x 12cm x 10cm)
<b>WEIGHT</b>	7.5lb (3.4kg)

MODEL	DESCRIPTION
22610-9007	Reversing switch not included
22610-9507	Reversing switch included
22610-9407	Deutsch connector, no reversing switch
23095-0007	Replacement Impeller

# 08 General Purpose Pumps

UTILITY PUMPS



## 12210 Series Utility Pumps – 115V

The 12210 Series Pumps are the most compact, self-priming flexible impeller 115 volt AC utility pumps Jabsco offers.

- Bronze pump head.
- 3.4 GPM (12.8 LPM) output at 10' (3m) total head.
- Replaceable brushes.
- Intermittent duty cycle.
- 6' (1.8m) power cord with grounded plug.



<b>FITTING</b>	3/8" (10mm) NPT internal thread
<b>SIZE</b>	6-7/8" long x 4" wide x 3-5/8" high (17.5cm x 10.2cm x 9.2cm)
<b>WEIGHT</b>	5lb (2.3kg)

MODEL	DESCRIPTION
12210-0001	115V AC, neoprene impeller (Non CE)
12210-0003	115V AC, nitrile impeller (Non CE)
1414-0001	Replacement Neoprene Impeller
1414-0003	Replacement Nitrile Impeller

## 18610 Series Utility Pumps – 115V

The 18610 Series Pumps are very versatile, moderate flow rate, portable self-priming utility pumps suitable for continuous duty applications.

- Bronze pump head.
- 5.8 GPM (22 LPM) output at 10' (3m) total head.
- Continuous duty motor with thermal overload protection.
- 8' (2.4m) power cord with grounded plug.
- Convenient carrying handle.



<b>FITTING</b>	1/2" (13mm) NPT internal thread, 1" (25mm) OD hose barb
<b>SIZE</b>	9" long x 5-5/8" wide x 7-5/16" high (22.9cm x 14.3cm x 18.6cm)
<b>WEIGHT</b>	12lb (5.4kg)

MODEL	DESCRIPTION
18610-0001	115V AC, neoprene impeller (Non CE)
18610-0003	115V AC, nitrile impeller (Non CE)
7273-0001	Replacement Neoprene Impeller
7273-0003	Replacement Nitrile Impeller

## 11810 Series Utility Pumps – 115V

The 11810 Series Pumps are robust, portable self-priming utility pumps with a substantial flow rate.

- Bronze pump head.
- 9.5 GPM (36 LPM) output at 10' (3m) total head.
- Continuous duty motor with thermal overload protection.
- 8' (2.4m) power cord with grounded plug.
- Convenient carrying handle.
- Available with open drip-proof or totally enclosed fan-cooled motor.



<b>FITTING</b>	1/2" (13mm) NPT internal thread, 3/4" (19mm) OD garden hose thread
<b>SIZE</b>	10-1/2" long x 7-1/4" wide x 7-3/4" high (26.7cm x 18.4cm x 19.7cm)
<b>WEIGHT</b>	Open Drip-Proof: 20lb (9.1kg) Totally Enclosed Fan-Cooled: 25lb (11.4kg)

MODEL	DESCRIPTION
11810-0003	115V AC, nitrile impeller, open drip-proof motor (Non CE)
11810-0011	115V AC, neoprene impeller, totally enclosed fan-cooled motor (Non CE)
11810-0013	115V AC, nitrile impeller, totally enclosed fan-cooled motor (Non CE)
5929-0001	Replacement Neoprene Impeller
5929-0003	Replacement Nitrile Impeller

## 6050 Series Utility Pumps – 115V

The 6050 Series Pumps are the highest capacity self-priming portable utility pumps offered by Jabsco.

- Bronze pump head.
- 3 GPM (87 LPM) output at 10' (3m) total head.
- Continuous duty motor with thermal overload protection.
- Motor wired to operate with 115V AC and can be converted to 230V AC.
- Available with open drip-proof or totally enclosed fan-cooled motor.
- 8' (2.4m) power cord with grounded plug.
- Convenient carrying handle.



<b>FITTING</b>	NPT internal thread
<b>SIZE</b>	13" long x 8" wide x 8-5/8" high (22.9cm x 14.3cm x 18.6cm)
<b>WEIGHT</b>	35.5lb (16.1kg)

MODEL	DESCRIPTION
6050-0003	115V AC, nitrile impeller, open drip-proof motor (Non CE)
6050-0013	115V AC, nitrile impeller, totally enclosed fan-cooled motor (Non CE)
6056-0003	Replacement Nitrile Impeller



### WARNING

Explosion hazard. Pumps with AC motors can spark. Explosion and death can occur. Do not use where flammable vapors are present.

## 110 Volt Pump

Designed to remove water from basements, garages, stairwells, utility rooms, boats and other utility applications. Available in non-automatic and automatic versions utilizing standard 110 volt AC current. UL Listed.



MODEL	DESCRIPTION
A53S	Automatic, 1800 GPH (6814 LPH), 8' (2.4m) cord, garden hose and rigid pipe, #57 adapters
A53S-24	Automatic, 1800 GPH (6814 LPH), 24' (7.3m) cord, garden hose and rigid pipe, #57 adapters
A53D	1800 GPH (6814 LPH), 8' (2.4m) cord, garden hose and rigid pipe, #57 adapters

# 09 Ventilation Blowers

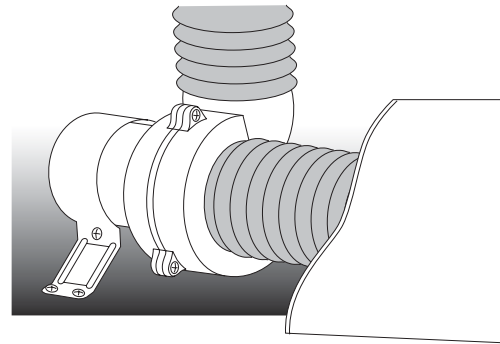
## INTRODUCTION



Jabsco DC Blowers are designed to remove fumes from the engine compartments of gasoline powered boats prior to start-up, and therefore conform to ISO 8846 MARINE and USCG Regulations for ignition protection. They are listed as N.M.M.A. type accepted and comply with ISO 9097 MARINE and are CE marked. AC models are not ignition protected.

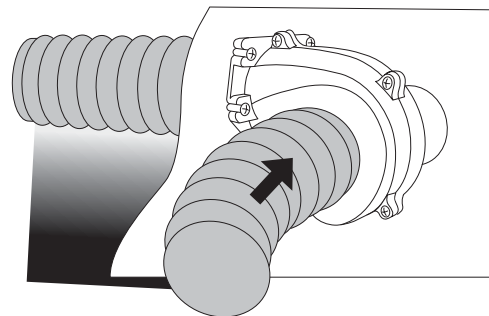
Jabsco Blowers can also be used for air intake or extraction in galleys, bilges, accommodation and head compartments. Only the heavy-duty blowers are designed for continuous duty operation in commercial or heavy use applications. Blowers should not be installed close to sources of direct heat exceeding 180°F (55°C).

### Flangemount Blowers



Flangemount Blowers are of a radial design, which gives the highest output in more complex installations with longer ducting lengths and/or multiple bends in the ducting. They are generally mounted directly onto a flat bulkhead using a mounting collar to connect to the discharge ducting. This allows a very neat installation on an engine room bulk head.

### Flexmount Blowers



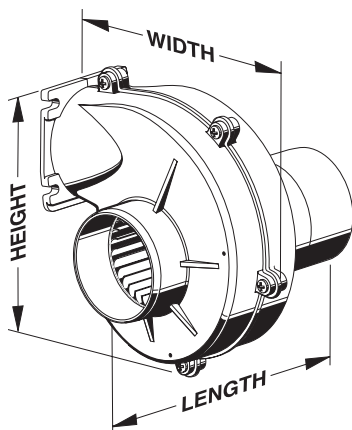
Flexmount Blowers are also of radial design, but are installed by attaching a mounting collar (supplied with the blower) around the motor to any convenient solid surface. They can be rotated inside the collar to allow the shortest ducting lengths and most convenient routings in confined spaces. Both ports are designed for slip-on flexible ducting connections.

# Ventilation Blowers 09

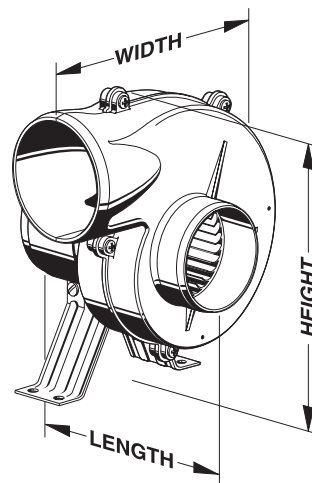
HEAVY-DUTY RADIAL BLOWERS

## Sizing Definitions

Flangemount



Flexmount



## Heavy-Duty Flangemount Blowers

Heavy-Duty Flangemount Blowers are designed for applications such as commercial or high-use engine room ventilation and extraction where a long-life requirement demands heavy-duty motors with long brush life. Built to provide the same high outputs as our standard specification blowers.

- 5,000 hour motor life for the heaviest of applications.
- Continuous duty.
- Efficient high-volume air flow.
- Outlet flange mounts directly on bulkhead.
- Slip-on inlet ducting connection.
- Low current draw.
- Corrosion-resistant materials throughout.
- Dimensionally stable, quiet-running Delrin rotors.
- Complies with USCG 183.410 and ISO 8846 MARINE (Ignition Protection) – DC only. ISO 9097 MARINE (Electric Fans).



<b>FITTING</b>	4" (100mm) ducting
<b>SIZE</b>	9-1/2" long x 8-3/4" wide x 9" high (24cm x 22cm x 23cm)
<b>WEIGHT</b>	DC: 6lb (2.7kg) AC: 8lb (3.6kg)
<b>VOLUME</b>	250cfm (7.1m <sup>3</sup> /min) output

MODEL	DESCRIPTION
35760-0092	12V DC, flangemount, fuse 15 amp
35760-0094	24V DC, flangemount, fuse 10 amp
36760-0115	115V AC, 60Hz, flangemount, fuse 2 amp. Not available in Europe.

## Heavy-Duty Flexmount Blowers

Flexmount Blowers are built to the same high specification as the Heavy-Duty Flangemount Blowers for use as air intake or extraction systems in engine rooms, fuel compartments, galleys or heads.

- 5,000 hour motor life for the heaviest of applications.
- Continuous duty.
- Efficient high-volume air flow.
- Flex mounting for 360° adjustable outlet.
- Slip-on inlet ducting connections.
- Low current draw.
- Corrosion-resistant materials throughout.
- Dimensionally stable, quiet-running Delrin rotors.
- Complies with USCG 183.410 and ISO 8846 MARINE (Ignition Protection) – DC only. ISO 9097 MARINE (Electric Fans).



<b>FITTING</b>	4" (100mm) ducting
<b>SIZE</b>	9" long x 9-1/2" wide x 9-3/4" high (23cm x 24cm x 25cm)
<b>WEIGHT</b>	DC: 7lb (3.2kg) AC: 9lb (4.1kg)
<b>VOLUME</b>	250cfm (7.1m <sup>3</sup> /min) output

MODEL	DESCRIPTION
35770-0092	12V DC, flexmount, fuse 15 amp
35770-0094	24V DC, flexmount, fuse 10 amp
36770-0115	115V AC, 60Hz, flexmount, fuse 2 amp. Not available in Europe.

# 09 Ventilation Blowers

RADIAL & IN-LINE BLOWERS



## Flangemount Blowers

Range of high-volume air intake or extraction blowers for engine room, fuel compartment, galley or heads.

- Outlet flange mounts directly on bulkhead.
- Slip-on inlet ducting connection.
- Low current draw.
- Dimensionally stable, quiet-running Delrin rotors.
- Corrosion-resistant materials throughout.
- Complies with USCG 183.410 and ISO 8846 MARINE (Ignition Protection).
- ISO 9097 MARINE (Electric Fans).



OUTPUT VOLUME	MODEL NUMBER	VOLTS	FUSE SIZE	HEIGHT	WIDTH	LENGTH	FITTING	WEIGHT
105cfm (3m <sup>3</sup> /min)	35115-0020	12V DC	6	5-1/2" (14cm)	4-3/4" (12cm)	6-3/4" (17cm)	3" (75mm) ducting	4lb (1.8kg)
150cfm (4.2m <sup>3</sup> /min)	34739-0010	12V DC	10	7-3/4" (20cm)	6-3/4" (17cm)	8" (20cm)	3" (75mm) ducting	5lb (2.3kg)
150cfm (4.2m <sup>3</sup> /min)	34739-0020	24V DC	5	7-3/4" (20cm)	6-3/4" (17cm)	8" (20cm)	3" (75mm) ducting	5lb (2.3kg)
250cfm (7.1m <sup>3</sup> /min)	35400-0000	12V DC	15	9" (23cm)	8-3/4" (22cm)	8-3/4" (22cm)	4" (100mm) ducting	6lb (2.7kg)
250cfm (7.1m <sup>3</sup> /min)	35400-0010	24V DC	7.5	9" (23cm)	8-3/4" (22cm)	8-3/4" (22cm)	4" (100mm) ducting	6lb (2.7kg)

## Flexmount Blowers

Range of high-volume air intake or extraction blowers for engine room, fuel compartment, galley or heads.

- Flexmounting for 360° adjustable outlet.
- Slip-on inlet and outlet ducting connections.
- Low current draw.
- Dimensionally stable, quiet-running Delrin rotors.
- Corrosion-resistant materials throughout.
- Complies with USCG 183.410 and ISO 8846 MARINE (Ignition Protection).
- ISO 9097 MARINE (Electric Fans).



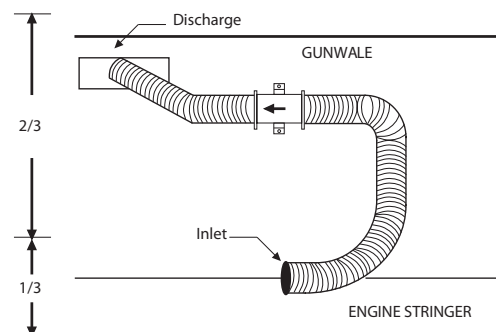
OUTPUT VOLUME	MODEL NUMBER	VOLTS	FUSE SIZE	HEIGHT	WIDTH	LENGTH	FITTING	WEIGHT
105cfm (3m <sup>3</sup> /min)	35115-0010	12V DC	6	5-1/2" (14cm)	5" (13cm)	6-3/4" (17cm)	3" (75mm) ducting	3.5lb (1.6kg)
140cfm (4.0m <sup>3</sup> /min)	36740-0031	115V AC	1.25	9" (23cm)	7-3/4" (20cm)	8-1/4" (21cm)	3" (75mm) ducting	5lb (2.3kg)
150cfm (4.2m <sup>3</sup> /min)	36740-0000	12V DC	10	9" (23cm)	8-1/4" (21cm)	8" (20cm)	3" (75mm) ducting	5.5lb (2.5kg)
150cfm (4.2m <sup>3</sup> /min)	36740-0010	24V DC	5	9" (23cm)	8-1/4" (21cm)	8" (20cm)	3" (75mm) ducting	5.5lb (2.5kg)
250cfm (7.1m <sup>3</sup> /min)	35440-0000	12V DC	15	9-5/8" (24.5cm)	9-3/16" (23.4cm)	9-1/8" (23.2cm)	4" (100mm) ducting	7lb (3.2kg)
250cfm (7.1m <sup>3</sup> /min)	35440-0010	24V DC	7.5	9-5/8" (24.5cm)	9-3/16" (23.4cm)	9-1/8" (23.2cm)	4" (100mm) ducting	7lb (3.2kg)



## In-Line Blowers

Rule In-Line Blowers provide ventilation for bilges, engine compartments, galleys and heads. Designed for efficient, high output operation, these blowers feature our exclusive front and rear shaft seals and corrosion-resistant motor housings for long life. Compact and easily installed on any flat surface, Rule In-Line Blowers provide higher air flow and lower amp draw.

- Efficient high-volume air flow.
- Quiet operation.
- Low amp draw.
- Slip-on inlet and outlet ducting connections.
- Sealed motor shaft for moisture protection.
- Corrosion-resistant nickel-plated motor housing.
- ABYC - H2; ISO 9097.
- IMCI (CE).
- N.M.M.A. type accepted.
- USCG 183.410 Compliant; Ignition protected.



MODEL NUMBER	VOLTS	FUSE SIZE	HEIGHT	WIDTH	LENGTH	FITTING	WEIGHT
140	12V DC	4	3-3/16" (8.1cm)	3" (7.6cm)	5" (12.7cm)	3" (75mm) ducting	1.2lb (0.55kg)
140-24V	24V DC	2.5	3-3/16" (8.1cm)	3" (7.6cm)	5" (12.7cm)	3" (75mm) ducting	1.2lb (0.55kg)
240	12V DC	4	4-3/16" (10.6cm)	4" (10.2cm)	6" (15.2cm)	4" (100mm) ducting	1.28lb (0.58kg)
240-24V	24V DC	2.5	4-3/16" (10.6cm)	4" (10.2cm)	6" (15.2cm)	4" (100mm) ducting	1.28lb (0.58kg)

# 10 Searchlights

## INTRODUCTION



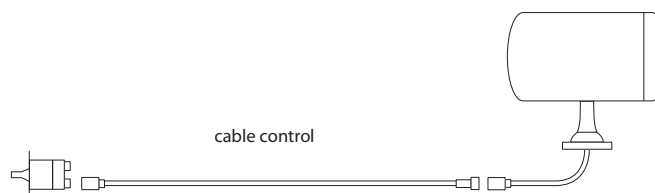
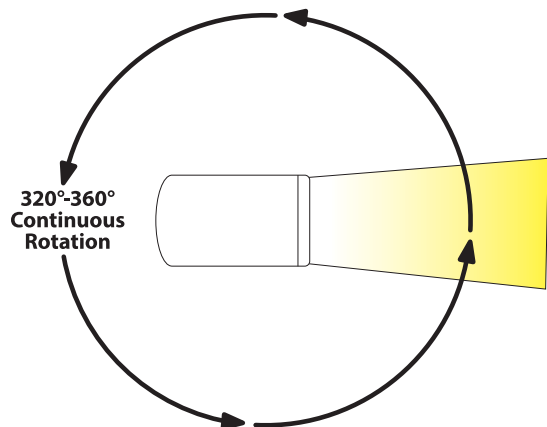
A marine searchlight has to be capable of performing a range of tasks from locating buoys to illuminating a narrow channel and, occasionally, searching for a man overboard. Therefore, it needs to be designed to offer the best combination of beam spread (width) and intensity (length) for both shorter and longer range work. Typically, our spot beams have a 7° beam spread as opposed to 40° on a flood beam and will consequently reach at least 3 times further.

We quote performance of our searchlight range in two ways: candlepower and lux. Candlepower is a useful guide to actual light produced, but does not measure the efficiency of reflector design to project that light at the target. The most relevant comparison guide is lux, which is the measurement of actual light available at a given distance. In order to be able to distinguish a reasonable level of detail, a level of one lux is generally considered to be necessary.

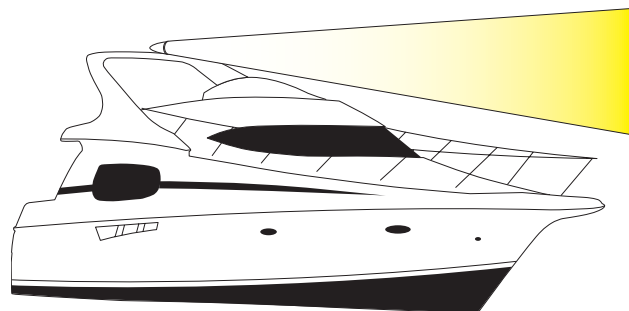


## Remote Control Lights

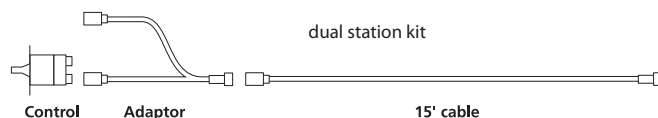
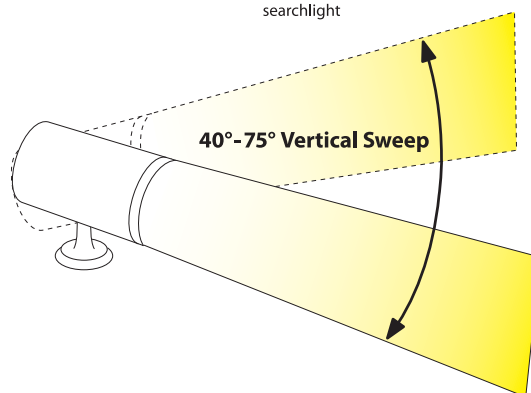
The advantage of the remote control is that it allows you to direct the light in the best location for maximum effectiveness. They are an increasingly popular addition on power boats, helping locate buoys, moorings and channel markers. Control is by joystick or touchpad. Secondary remote control kits can be bought for most models, which allow control from either the flybridge or main helm.



Control and 15' (4.5m) cable included with all Remote Control Lights. Extension Cables also available.



searchlight

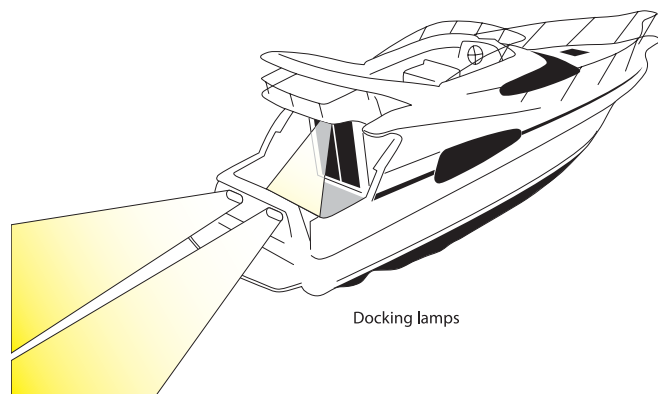


Dual Station Kits also available.

## Floodlights

Bracket mounted flood lights give good service in deck illumination, especially on small fishing boats and commercial craft.

Flush mount floodlights provide a clean installation ideally suited for leisure craft. Two beam shapes are available – trapezoidal for deck illumination, with sharp beam pattern edges, and flood for deck illumination and transom mounting, with diffused beam pattern edges. In each case, bulb adjustment allows the beam to be directed to the required area.



Docking lamps

# 10 Searchlights

REMOTE CONTROL LIGHTS



## 7" (180mm) & 8" (200mm) RC Searchlights

Remote mounting searchlights electrically controlled from helm station for leisure, commercial and patrol crafts.

- 7" (180mm) and 8" (200mm) models have spot beam only.
- Single joystick controls both 70° vertical and 450° horizontal sweep.
- Variable speed control enables fast search and yet precise targeting.
- Optional secondary full control panel for dual helm stations.
- Internal brake system holds beam firmly on target.
- Heavily chromed all brass beam housing and base unit.
- 8' (2.5m) wiring cable, with optional extension cables.



### 7" (180mm)

<b>SIZE</b>	11" long x 7" wide x 13" high (28cm x 18cm x 33cm)
<b>WEIGHT</b>	9lb (4.1kg)
<b>LUX</b>	1 lux at 1380' (418m)

MODEL	DESCRIPTION
62040-4002	12V DC, fuse 20 amp, 18 lux at 330' (100m)
62040-4006	24V DC, fuse 10 amp, 18 lux at 330' (100m)
67296-0000	Replacement Sealed Beam, spot, 12V DC, 230,000 cp
18753-0447	Replacement Sealed Beam, flood only, 24V DC, 230,000 cp

### 8" (200mm)

<b>SIZE</b>	11" long x 8-1/4" wide x 14-1/4" high (28cm x 21cm x 36cm)
<b>WEIGHT</b>	11lb (5kg)
<b>LUX</b>	1 lux at 2375' (719m)

MODEL	DESCRIPTION
62042-4006	24V DC, fuse 10 amp, 52 lux at 330' (100m)
98040-0520	Replacement Sealed Beam, 24V DC, 500,000 cp
43670-1000	Replacement Controller for 5" and 7", 12V DC
60070-0000	Replacement Controller for 7" and 8", 24V DC

## 155 SL RC Searchlight

Our leading light for style, performance and value. Sweeping curves complement the latest pleasure craft profiles. Fingertip control of the watertight halogen sealed beam will pick out hazards nearly 900' (274m) away.



- Easily replaceable 5" (130mm) halogen sealed beam delivers 100,000 candlepower.
- Full 360° horizontal rotation, 75° vertical sweep.
- Complete with joystick remote control (12 volt DC model) or optional electronic touch-pad remote control, including joystick (12/24 volt DC).
- Electronic control includes automatic 20° sweep feature, two speed movement – fast for searching, slow for pinpointing target, plus automatic transmission of S.O.S. distress signal through 360° in emergency (12/24 volt DC model only).
- Complete with 15' (4.5m) cable, with optional extension cables.
- Tough, thermoplastic housing and base.
- Optional secondary remote control panel for dual helm stations – instant command from each panel without need to select station (12/24 volt DC model only).

<b>SIZE</b>	8" long x 6-3/8" wide x 8" high (20cm x 16cm x 20cm)
<b>WEIGHT</b>	5lb (2.3kg)
<b>LUX</b>	1 lux at 885' (268m)

MODEL	DESCRIPTION
61050-0012	12V DC, fuse 10 amp
61050-1224	12/24V DC, fuse 10 amp, electronic control
18753-0528	Replacement Sealed Beam, 12/24V DC, 100,000 cp
43690-1000	Replacement Controller for 61050-1224
60030-0000	Replacement Controller for 61050-0012

## 135 SL RC Searchlight

A remote control searchlight, developed with the 20' to 50' (7 to 15m) powerboat in mind, with many benefits of existing units at a greatly reduced cost.

- Easily replaceable halogen sealed beam delivers 100,000 candlepower.
- Supplied complete with joystick remote control.
- Optional secondary full control panel for dual helm stations.
- 320° horizontal rotation, 75° vertical sweep.
- All materials are non-corrosive.
- Complete with 15' (4.5m) cable, with optional extension cables.



<b>SIZE</b>	8-1/8" long x 7" wide x 7-7/8" high (18.5cm x 18cm x 21cm)
<b>WEIGHT</b>	6lb (2.7kg)
<b>LUX</b>	1 lux at 865' (262m)

MODEL	DESCRIPTION
60020-0000	12V DC, fuse 10 amp
60020-0024	24V DC, fuse 5 amp
18753-0178	Replacement Sealed Beam, 12/24V DC, 100,000 cp
60030-0000	Replacement Controller, 12/24V DC

## 146 SL RC Searchlight

A high-performance searchlight for medium sized yachts, remotely controlled from helm station.

- Easily replaceable halogen sealed beam delivers 175,000 candlepower.
- Supplied complete with water resistant joystick remote control.
- Tough, corrosion resistant Lexan housing.
- Full, 360° horizontal rotation, 60° vertical sweep.
- Optional secondary full control panel for dual helm stations.
- Complete with 15ft (4.5m) cable, with optional extension cables.



<b>SIZE</b>	10-1/8" long x 8-1/2" wide x 8-15/16" high (26cm x 22cm x 26cm)
<b>WEIGHT</b>	9lb (4kg)
<b>LUX</b>	1 lux at 1275' (386m)

MODEL	DESCRIPTION
60080-0012	12V DC, fuse 10 amp
60080-0024	24V DC, fuse 5 amp
18753-0455	Replacement Sealed Beam, 12/24V DC, 175,000 cp
43670-0003	Replacement Controller, 12/24V DC

## 255 SL RC Searchlight

A stylish, dual bulb searchlight for medium to larger yachts, remotely controlled from helm station.

- Easily replaceable halogen sealed beams deliver 200,000 candlepower.
- High-tech design and styling for power boats.
- Supplied complete with water resistant joystick remote control.
- Full 360° horizontal rotation, 60° vertical sweep.
- Optional secondary full control panel for dual helm stations.
- Tough, weatherproof and corrosion-resistant design.
- Complete with 25' (7.5m) cable, with optional extension cables.



<b>SIZE</b>	10-15/16" long x 10-1/2" wide x 8-13/16" high (28cm x 27cm x 23cm)
<b>WEIGHT</b>	21lb (9.6kg)
<b>LUX</b>	1 lux at 1040' (315m)

MODEL	DESCRIPTION
60010-2012	12V DC, fuse 10 amp
60010-2024	24V DC, fuse 5 amp
18753-0336	Replacement Sealed Beams, 12/24V DC, 100,000 cp each
43670-0003	Replacement Controller, 12V DC
60070-0000	Replacement Controller, 24V DC

# 10 Searchlights

REMOTE CONTROL KITS & HARNESES



## Secondary Remote Control Kit (Electronic)



Secondary Remote Control Kits allow searchlights to be operated from both upper and lower helm stations. Kit includes secondary control panel, Y-adapter and 15' (4.5m) cable. Secondary Harness must be selected from Extension Harness options.

- Can be operated from any control panel without need for selector station.

MODEL	DESCRIPTION
64044-0000	12/24V DC, 6" (150mm) RC, 155 SL with electronic control

## Extension Harness (Electronic Controls)



Extension Harnesses enable remote controls to be fitted further from the light than standard cables allow, and are needed to install Secondary Remote Control Kits.

- For 155 SL (12/24 volt DC) and all 6" (150mm) RC models.
- For 233 SL (12/24 volt DC).

MODEL	DESCRIPTION
64042-1011	10' (3m) Harness
64042-1007	15' (4.5m) Harness
64042-1008	25' (7.6m) Harness
64042-1009	50' (15.2m) Harness

## Secondary Remote Control Kits



Secondary Remote Control Kits allow searchlights to be operated from both upper and lower helm stations. Kit includes secondary control panel, station selector panel V-splices and butt connectors. Secondary Harness must be selected from Extension Harness options.

MODEL	DESCRIPTION
43670-0007	Dual Station Control Kit, 12/24V DC, 155 SL (12V)
43670-0004	Dual Station Control Kit, 12V DC, 7" (180mm) RC (12V), 146 SL (12V), 255 SL (12V)
18753-0335	Dual Station Control Kit, 24V DC, 7" (180mm) RC (24V), 8" (200mm) RC (24V), 146 SL (24V), 255 SL (24V)
43990-0023	Fuse Cap

## Extension Harness



Extension Harnesses enable remote controls to be fitted further from the light than standard cables allow, and are needed to install Secondary Remote Control Kits.

- For 135 SL, 146 SL, 155 SL (12 volt DC), 255 SL, 5" (130) and 7" (180) RC models.

MODEL	DESCRIPTION
43990-0013	10' (3m) Harness
43990-0014	15' (4.5m) Harness
43990-0015	25' (7.6m) Harness
43990-0016	50' (15.2m) Harness

# 10 Searchlights

FLOODLIGHTS



## Xenon Floodlights



Bracket mounted xenon floodlights that deliver four times the light output of halogen floodlights and last up to five times longer. Typically used for deck lighting, emergency lighting, launching and docking, and commercial fishing boat applications.

- Compact size.
- 5000 hour life.
- Four times brighter than halogen.
- Completely sealed from moisture and dirt.
- Direct replacement for most add-on incandescent and halogen lamps.
- Isolation mounted to withstand vibration.

<b>SIZE</b>	6" long x 5" wide x 7" high (15cm x 13cm x 17cm)
<b>WEIGHT</b>	3.5lb (1.6kg)

MODEL	DESCRIPTION
63142-0012	12V DC, HID (xenon)
63142-0024	24V DC, HID (xenon)

## Deck Floodlights – Ultra Bright Model



A range of compact, purpose-designed floodlights for deck, cockpit or boarding point on leisure, commercial, fishing and safety craft available in two sizes.

- Special trapezoidal beam pattern, designed to be mounted above one end of horizontal area to be illuminated, spreads light evenly over the surface.
- Sharp cut-off enables accurate selection of area to be illuminated, minimizing stray light.
- Blue Bulb technology improves visibility in low light conditions.
- Sealed beam tungsten halogen bulb with 450 hour average life.
- Choice of white or black tough polypropylene housing.
- Stainless steel universal mounting bracket.

### 4" x 6"

<b>SIZE</b>	4" long x 6" wide (15.5cm x 10cm)
<b>WEIGHT</b>	1.4lb (0.7kg)

MODEL	DESCRIPTION
45900-4000	12V DC, ultra bright, white, fuse 6 amp. Not available in Europe.
45900-5000	12V DC, ultra bright, black, fuse 6 amp. Not available in Europe.
45900-0000	12V DC, white, fuse 6 amp
45900-2000	12V DC, black, fuse 6 amp. Not available in Europe.
45900-0001	24V DC, white, fuse 3 amp
45903-4000	Replacement Sealed Beam, 12V DC, 65 watt. Not available in Europe.
45903-0000	Replacement Sealed Beam, 12V DC, 30 watt
45903-0001	Replacement Sealed Beam, 24V DC, 60 watt

### 3" x 5"

<b>SIZE</b>	3" long x 5" wide (13cm x 8cm)
<b>WEIGHT</b>	1lb (0.5kg)

MODEL	DESCRIPTION
45900-1000	12V DC, white, fuse 6 amp
45900-35000	12V DC, black, fuse 6 amp. Not available in Europe.
45903-0002	Replacement Sealed Beam, 12V DC



## Flush Mount Floodlights



The new Jabsco Flush Mount Floodlight features a small footprint with a dual gasket design to ensure weatherproof installations.

- Sealed beam flood provides a very even beam pattern with no hot spots.
- Clean edge cut-offs prevent stray lighting.
- Sealed beam 50 watt tungsten halogen bulb with 450 hour average life.
- Small footprint design.
- Tough, white UV-stable housing will not "yellow."
- Weatherproof mounting gasket and cable seal for leak-free installation.
- Shock and vibration resistant construction.

<b>SIZE</b>	6-7/8" wide x 4-1/4" high x 2-3/4" deep (23.2cm x 10.8cm x 7cm)
<b>WEIGHT</b>	1lb (0.5kg)

MODEL	DESCRIPTION
45930-2012	Floodlight with Flood Beam, 12V DC, fuse 5 amp
18753-0351	Replacement Flood Sealed Beam, 12V DC



Flush Mount Floodlights unobtrusively light up deck, cockpit or boarding point.

- Available with two bulb types – flood (for glare-free, below-deck mounting) or trapezoidal (for deck illumination).
- Easily adjustable light angle, up to 7° horizontally and 12° vertically.
- Sealed beam 50 watt tungsten halogen bulb with 450 hour average life.
- Tough, polypropylene housing.

<b>SIZE</b>	8-7/8" wide x 6-9/16" high x 3-3/16" deep (22.5cm x 17cm x 8cm)
<b>WEIGHT</b>	3.3lb (1.5kg)

MODEL	DESCRIPTION
45960-0000	Floodlight with Trapezoidal Beam, 12V DC, fuse 5 amp
45960-0001	Floodlight with Flood Beam, 12V DC, fuse 5 amp
18753-0352	Replacement Trapezoidal Sealed Beam, 12V DC
18753-0351	Replacement Flood Sealed Beam, 12V DC

# 11 Flexible Impeller Pumps

## SELECTION GUIDE










	MODEL NUMBER	FLOW PATTERN/ CONNECTION	FITTING/PORT	DRIVE	FLANGE MOUNT	WEIGHT	SIZE	GPM (LPM)	
	5850-0001	U	3/4" (19mm) NPT	Coupling	Engine	6lb (2.7kg)	5-5/16" (13.5cm) long 4-1/4" (10.8cm) wide 3-1/4" (8.3cm) high		
	12600-0001	U	3" (76mm) hose	Gear	Engine	20lb (9kg)	7" (17.8cm) long 7-3/8" (18.7cm) wide 8-1/2" (21.6cm) high		
	7420-1001	U	1-1/4" (32mm) NPT	Pulley	Pedestal	10.5lb (4.8kg)	8-1/16" (20.5cm) long 5-1/8" (13cm) wide 5-1/16" (12.9cm) high	62 GPM (235 LPM)	
	6400-1051	-	1-1/4" (32mm) NPT	Pulley	Pedestal	10.5lb (4.8kg)	8-1/16" (20.5cm) long 5-7/8" (15cm) wide 4-7/8" (12.4cm) high	62 GPM (235 LPM)	
	18400-0050	U	3/4" (19mm) NPT	Coupling	Engine	6lb (2.7kg)	5-5/16" (13.5cm) long 4-1/4" (10.8cm) wide 3-1/4" (8.3cm) high		
	3270-0001	U	3/4" (19mm) NPT	Coupling	Engine	4lb (1.8kg)	4-1/4" (10.8cm) long 4-1/8" (10.5cm) wide 3-7/8" (9.8cm) high		
	7420-1001	U	1-1/4" (32mm) NPT vertical ports	Pulley	Pedestal	10.5lb (4.8kg)	7-1/32" (17.9cm) long 5-7/8" (15cm) wide 4-7/8" (12.4cm) high		
	6400-1051	-	1-1/4" (32mm) NPT horizontal ports	Pulley	Pedestal	10.5lb (4.8kg)	7-1/32" (17.9cm) long 5-7/8" (15cm) wide 4-7/8" (12.4cm) high		

	MARINIZED BY:							CATEGORY/ APP
	CUMMINS	FLAGSHIP	PALMER LEHMAN	CHRIS-CRAFT	CATERPILLAR	ONAN	PERKINS	
		X	X	X				EC
	X							EC
					X			EC
					X			EC
						X		EC
							X	EC
					X			EC
					X			EC

# 11 Flexible Impeller Pumps

## SELECTION GUIDE



	MODEL NUMBER	FLOW PATTERN/ CONNECTION	FITTING/PORT	DRIVE	FLANGE MOUNT	WEIGHT	SIZE	GPM (LPM)
	10950	H	3/4" (19mm) BSP	Gear	Engine	7lb (3.2kg)	6-1/2" (16.6cm) long 4-1/2" (11.5cm) wide 5-1/8" (13cm) high	
	21140	H	1" (25mm) BSP	Gear	Engine	8lb (3.6kg)	7-1/4" (18.5cm) long 4-1/2" (11.5cm) wide 5-1/8" (13cm) high	
	29500-1001	V	1-1/8" (28mm) hose	Coupling	Engine	2.5lb (1.2kg)	4-3/4" (12.1cm) long 4" (10cm) wide 4" (10cm) high	
	9700-01	U	1" (25mm) flanged	Coupling	Engine	6lb (2.8kg)	5-3/4" (14.9cm) long 4-3/4" (12.1cm) wide 3-7/8" (9.9cm) high	
	9970-200	U	3/4" (19mm) BSP	Coupling	Engine	4lb (1.8kg)	5-5/8" (14.2cm) long 4" (10cm) wide 3-3/8" (8.6cm) high	
	10970	U	3/4" (19mm) NPTF	Gear	Engine	7lb (3.2kg)	5-5/8" (14.2cm) long 4-3/4" (12cm) wide 4-1/2" (11.5cm) high	
	10970-21	U	3/4" (19mm) flanged	Gear	Mount	8lb (3.6kg)	5-7/8" (15cm) long 5-5/8" (14.3cm) wide 4-1/2" (11.5cm) high	

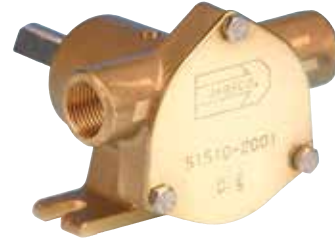
	MARINIZED BY:							CATEGORY/ APP
	C-POWER	LANCING	LEHMAN	SABB	SABRE	WATERMOTA	PERKINS	
	X	X	X	X	X	X		EC
	X	X	X	X	X	X		EC
		X					X	EC
							X	EC
			X				X	EC
							X (4.236)	EC
							X (4.236, m90)	EC

# 11 Flexible Impeller Pumps

INTRODUCTION



Jabsco Original Flexible Impeller Pumps –  
Pedestal, Clutch & Engine Cooling



## HOW IT WORKS



Flexible vanes create increased volume when leaving the eccentric cam creating a vacuum, and thus drawing in liquid, instantly priming the pump.



As the flexible vanes rotate, the liquid is carried through the pump from the inlet to outlet port, each successive vane drawing in liquid.



When the flexible vanes again contact the eccentric cam they bend with a squeezing action which provides a continuous, uniform discharge of liquid.

## FEATURES

- **Versatile:** The flexible impeller pump combines the priming feature of positive displacement type pumps with the general transfer ability of centrifugals. It will pump either thin or viscous liquids and can handle more solids in suspension than other types of rotary pumps. It operates at low or high speeds, can be mounted at any angle and pumps in either direction with equal efficiency.
- **Self-Priming:** Pumps instantly with dry suction, lifts up to 10' (3m) – up to 25' (8m) when wetted. Permits cleaner, safer installations. No foot valve required.
- **Simplicity:** One moving part – a tough, long-lived, wear-resistant flexible impeller, lubricated by the liquid being pumped. No metal-to-metal pumping action – no gears to jam, clog or become noisy.
- **More Capacity:** Flexible impeller pumps, in general, require less space because they deliver greater flow for weight, size and price than other types of pumps.

The data given for the engine cooling systems and pump selection is for guidance only. It does not cover high-performance engines. You should always consult the engine marinizer.

It is important that Jabsco Engine Cooling Pumps and Systems are matched during the design of ships' engine installations. Once installed, safety margins must be safeguarded, i.e., the emphasis must be on *preventive*, not corrective maintenance.

Cooling systems most commonly used for marine propulsion engines are:

- Heat exchanger cooling
- Keel cooling
- Direct cooling

## PRESSURE RANGES

### Standard impellers

Suitable for continuous operation up to the following limits:

- 1/4", 3/8" and 1/2" port sizes to 40' (12m) head, 17.3 psi (1.2 bar).
- 1" to 2" port sizes to 70' (20m) head, 30.3 psi (2 bar).

### Special high pressure impellers

Available for certain models. Impeller life will be extended by operating in the lower portion of recommended pressure range.

## TEMPERATURE RANGE

- 45° to 180°F (7° to 80°C)

For fluids less than 45°F (7°C) consult with the factory.

## OPERATING SPEEDS

### Ball bearing pumps

- 1/4" or 1/2" ports: 3600 rpm max.
- 3/4" or 1" ports: 3000 rpm max.
- 1-1/4" ports: 2200 rpm max.
- 2" ports: 2200 rpm max.

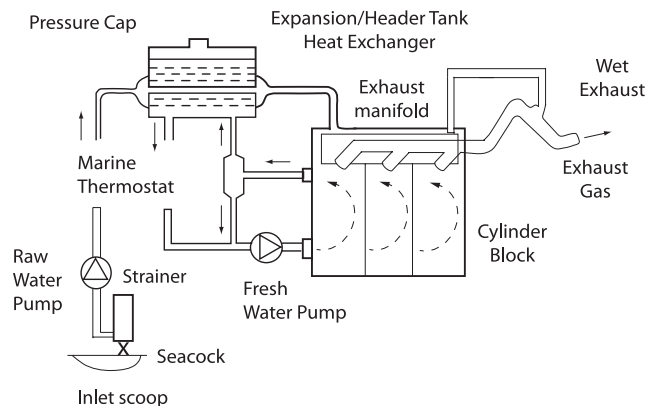
## Heat Exchanger Cooling

This is also known as a closed system, i.e., the primary cooling circuit is isolated from the surrounding atmosphere.

A centrifugal pump circulates fresh, treated water through the cylinder block passages and around the tube stack of a heat exchanger. The Jabsco raw water pump draws raw water (from sea or lake) through the ship's hull inlet and pumps it through the heat exchanger tubes where it removes the heat transmitted from the primary circuit before discharging overboard.

The heat exchanger, which can be single-pass or two-pass type, should be capable of handling approximately 10% more than the maximum engine heat rejection rate and may be fitted separately or as an integral part of the expansion/header tank. This tank allows venting of air or combustion gasses absorbed by the cooling water during engine operation and provides a positive pressure on the fresh water pump inlet. This pump, fitted in the coldest part of the primary circuit, has a capacity which will maintain a water temperature differential of approximately 45°F (8°C) across the cylinder block at full load. The engine operating temperature is regulated by a marine thermostat to about 185°F (85°C) on most engines. To provide an adequate safety margin for commercial diesel engines, which may be expected to operate more than 2500-3000 hours per year, size and rpm of the Jabsco raw water pump should be selected to give a flow capacity of approximately 15 GPM (57 LPM) for every 100hp maximum engine load and rpm.

If an exhaust manifold is fitted in the raw water or fresh water circuit, the raw water pump flow capacity should be 10-15% higher.



Additional coolers, such as oil coolers or charge air coolers, must be fitted *after* the pump, but in a compromise between reliability, size and weight, and pump delivery. Head should be about 10-13 psi of water at maximum rpm.

Safety margins in pump inlet systems are extremely critical, so any restrictions or bends, other than seacock and inlet strainers, are to be avoided at all costs (see Suction System page 97).

Raw water from the exhaust manifold is often injected into the exhaust pipe (*after* an exhaust elbow to prevent raw water flowback into the cylinders), which may then be ducted through areas where a hot pipe would create a hazard. This is known as a "wet exhaust" system. In addition, mixing of water with exhaust gases will reduce exhaust noise. However, on small engines the raw water flow should not be less than 2.5- 4 GPM (9.5-15 LPM) for adequate silencing.

# 11 Flexible Impeller Pumps

## INTRODUCTION



### Keel Cooling

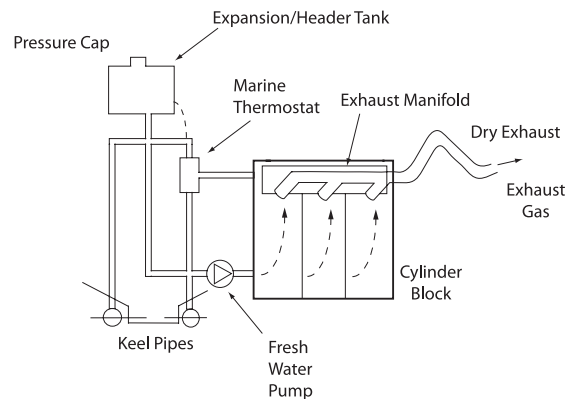
In principle, this is similar to a heat exchanger cooled system, but the raw water circuit and heat exchanger have been replaced by pipes attached externally to the vessel's keel.

Pipe bore and surface area must be adequate for effective dissipation of heat from the primary circuit to sea or river water. In some installations where the flow capacity of the centrifugal circulating pump is insufficient due to system pressure losses through keel pipes, cylinder block and exhaust manifold, a Jabsco pump may be used (flow capacity approximately 30 GPM [113 LPM] for every 100hp at maximum engine load and rpm).

Alternatively, the ship's steel hull may be used as the cooling surface and the heat transmitted directly to the surrounding sea or river water from a tank welded inside to the bottom.

The "dry exhaust" can be made a "wet exhaust" by a separate raw water pump.

The expansion/header tank may be fitted separately. In which case, it must be connected directly to the circulating pump inlet and the primary circuit adequately vented into the tank.



### Direct Cooling

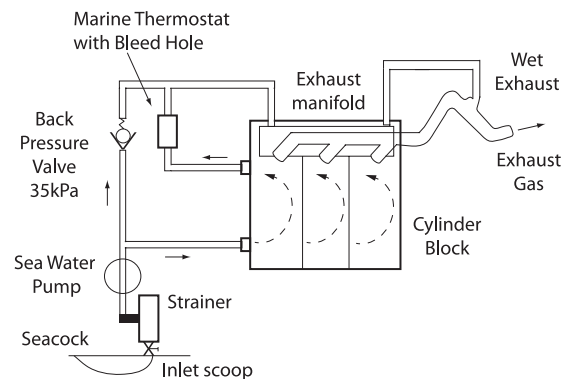
Raw water is pumped directly through the engine block. However, as the temperature of the water entering the block is ambient, the outlet temperature needs to be much lower than in an indirect cooled engine to reduce the formation of scale and salt deposits and thermal stresses in the cylinder block.

Lower operating temperature means that engine performance will be considerably less efficient, and direct cooling systems should, therefore, not be used on commercial craft engines.

For weekend pleasure craft engines which operate no more than 50-100 hours per year, reliability margins will probably be maintained for a number of years until deposits in the engine cooling passages begin to affect heat transfer to the cooling water.

Engine operating temperature is best controlled by a marine thermostat rather than a manually operated valve.

For cold engine start, the thermostat will be closed and most of the cooling water (about 10 GPM [38 LPM] for every 100hp at full load and speed) will bypass the engine via a spring-loaded back pressure valve and discharge into the exhaust manifold. A small bleed hole in the thermostat will ensure a slow circulation of cooling water through the cylinder block to prevent "hot spots" while the engine is warming.





## Safety Margins

The raw water flow capacities indicated earlier are for diesel engine cooling systems and include a safety margin of some 30% to ensure adequate engine cooling under adverse operating conditions.

As gasoline engines, unlike diesel engines, have a high heat rejection rate at idling speed, an increase in pump flow capacity of some 10% at maximum rpm is recommended.

While flow capacities can be affected by salt deposits or scale in pipes due to operation in tropical regions, seawater pollution or age and wear of pumps and systems in general, this is usually a gradual process with ample warning that preventive maintenance can counteract.

Far more serious is a reduction in cooling water flow due to adverse conditions caused by an inadequate system.

When marine vegetation such as seaweed gets stuck in seawater inlet strainers of insufficient mesh or hole size, this can cause a significant reduction of the cooling water supply to the pump.

On the other hand, no amount of pump flow capacity will safeguard against a sudden but total blockage – for example, a plastic bag covering up the hull inlet. System safety margin can be substantially increased by providing two separate hull inlets usually on either side of the keel, joining the pump inlet pipe below the water line. In actual practice, the likelihood of both inlets being covered simultaneously has been found to be insignificant.

As heat exchanger and cooler manufacturers' recommendations for a given engine performance and corresponding pump flow will include appropriate safety margins for minimum and maximum flow, it should be kept in mind that excessive water velocities through the heat exchanger pipes due to "overkill," i.e., fitting oversize cooling pumps, may cause pipe erosion and accelerated pump wear through excessive pump operating pressures.

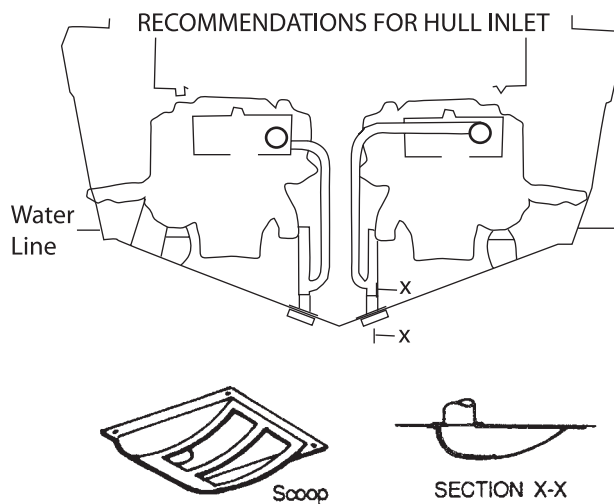
Low water velocities through heat exchanger tubes, on the other hand, could result in the formation of sludge. Therefore, too small a pump (insufficient safety margins) may cause inefficient operation of heat exchangers and coolers for much of the time.

## Suction System

To provide reliable performance under seagoing conditions, a raw water cooling pump must operate in a correctly designed cooling system. It is, therefore, essential that cooling water should reach the pump without having to overcome undesirable resistance or restrictions.

The following general rules are given for guidance:

- Suction pipe bore must not be smaller than the pump inlet connection, but if total suction pipe exceeds 10' (3m) in length, the bore should be one size larger, particularly if the pump is operated at high speeds. Use the same size bore pipe throughout, i.e., avoid sudden enlargements or contractions. Use long tapered sections of pipe at any change in pipe bore.
- The suction pipe run should be as straight as possible, i.e., avoid unnecessary bends. Do not use square or standard elbows, instead use long sweep bends.
- *Do not* fit gearbox or engine oil coolers in the pump suction system. Always install after the pump.
- Seacocks of the same nominal size as the suction pipe work should be of the ball or plug type, giving full through bore in the open position. The handle position should clearly indicate whether seacocks are open or closed.
- Seawater inlet strainers should have a hole or mesh size of at least 1/8" (3mm) diameter and up to 3/16" (5mm) for larger pumps, but smaller than the heat exchanger tube bore.
- Check frequently that inlet strainer is not clogged. If in doubt clean thoroughly.
- Fast boats (over 12-15 knots) and planing craft must be fitted with inlet scoops positioned in a permanently wetted area of the ship's hull to create sufficient inlet pressure at higher boat speeds. Flush inlet fittings are not suitable for fast boats.



# 11 Flexible Impeller Pumps

## INTRODUCTION



### Pump Selection

Most proprietary marine engines are already fitted with specially adapted flange mounted Jabsco cooling pumps driven by gears or couplings of various descriptions.

A belt drive from the crankshaft pulley will enable almost any standard foot mounted bronze Jabsco pump to be selected, provided that the required cooling flow rate is obtained without operating the pump at excessive speeds.

Global cooling water requirement for each 100hp at maximum engine load and rpm is at right.

#### DIESEL ENGINES

##### Heat exchanger cooling

18 GPM (68 LPM) – raw water

##### Keel cooling

36 GPM (136 LPM) – fresh water

##### Direct cooling

12 GPM (45 LPM) – raw water

#### GASOLINE ENGINES

Increase diesel engine figures by about 10%.

If exhaust manifolds are water cooled, increase pump capacity by a further 10-15%.

### Pump Types

Selection may depend upon pump speed, space available and type of drive.

#### BALL BEARING PUMPS

For pump speeds in excess of 2500 rpm, ball bearing pumps should be used. Depending on size and duty, speeds of up to 5000 rpm are possible, but special attention to suction system conditions is then required (consult Jabsco).

Ball bearing pumps are available in heavy-duty and compact types.

#### HEAVY-DUTY PUMPS

This range is designed with two spaced bearings and mechanical rotary face seals to meet high reliability criteria under adverse operating conditions, i.e., excessive belt tension, high operating pressure, abrasive conditions found in shallow waters or in-shore operation. Pump bodies are either bolted to a bearing housing or body and bearing housing are a single, integral casting. These types of pumps are often unique to the application, but some varying pump types can share common bearing housings.

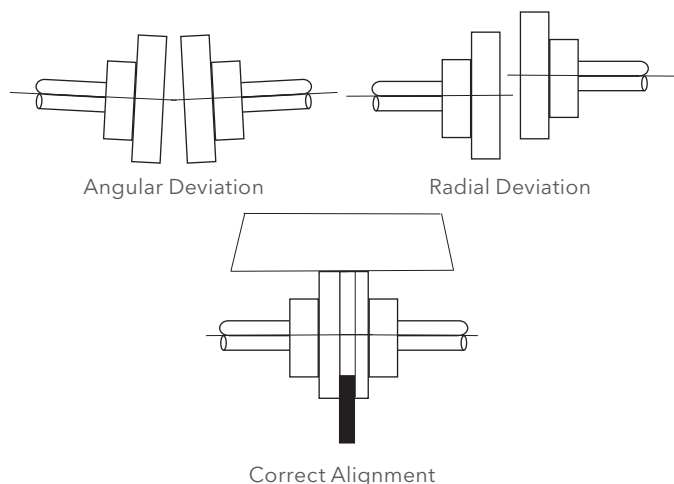
#### COMPACT PUMPS

This pump range is fitted with double row ball bearings, providing a low cost compromise between overall pump length and a limited heavy-duty capability.

Bearings are shielded, ensuring permanent lubrication by the special grease.

### Pump Drive Failure

The majority of pump failures are caused by badly designed pump systems. Secondary causes of pump problems are unsatisfactory drive arrangements.



## Pump Drives

### DIRECT DRIVES

Misalignment between pump and drive shaft is a common cause of pump failure.

A flexible coupling is only "flexible" within limitations specified by the manufacturer. Excessive misalignment, particularly at high pump speeds, can cause noise, knocking, vibration, premature bearing failure, usually followed by pump leakage.

### BELT DRIVES

The pump speed is determined by the engine pulley diameter and the need to maintain the pump pulley at a practical maximum size. Some engine crankshaft pulleys incorporate vibration dampening membranes resulting in large diameters at the V-groove. To lower pump speed relative to engine speed, it is necessary to use a pulley on the pump that is larger than the drive pulley. High engine speeds may, therefore, require oversize pump pulleys which preclude the practicality of a belt drive. Calculating a suitable size pump pulley (example):

$$\frac{\text{Drive Pulley Diameter}}{\text{Pump Pulley Diameter}} \times \text{Engine Speed} = \text{Pump Speed}$$

Excessive drive belt tension will cause rapid belt wear and may result in premature bearing failure. It should be possible to deflect a correctly tensioned belt between pulleys approximately 1/2"-3/4" (13-19mm) by applying finger pressure.

While excessive belt tension may be due to inadvertent overtightening, it should always be verified that it did not result from an inherent fault in the installation, e.g., if pump flow is insufficient due to a slipping belt caused by insufficient contact area between belt and pulley, any amount of tightening would not solve the problem permanently. Ideally, the contact area should be about 120° but not less than 90°.

If the engine is installed on flexible mountings, a belt driven pump must be mounted on the engine, never bolted to the vessel's structure. This is to avoid tensioning or slackening of the drive belt due to relative movements of the engine.

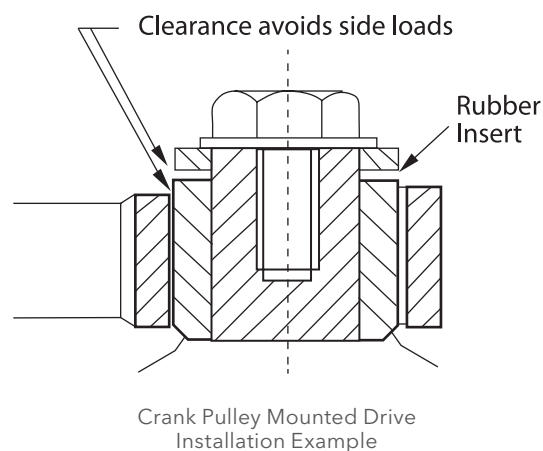
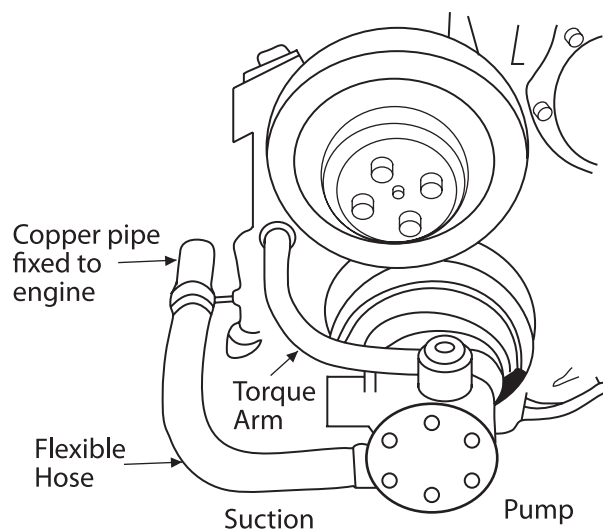
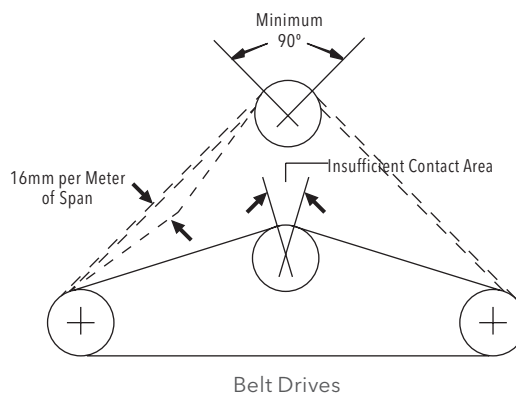
### GEAR DRIVES

Drive gears fitted to "heavy-duty" flange mounted pumps are supported by the pump ball bearings and driven by one of the engine gears.

### CRANK PULLEY MOUNTED DRIVE

A number of Jabsco pumps specially developed for high speed operation on gasoline and diesel engines are fitted with a multi-positional bearing housing bolted directly to the crankshaft pulley, thus eliminating mounting brackets, belts and pulleys.

As the pump body is supported by the ball bearing only, it must be prevented from rotating by means of a torque arm, designed and installed so as to avoid any side load on the bearing. Inlet and outlet hoses must be flexible, i.e., of adequate length (at least 10 times the hose diameter) so that the pump can be rotated freely over a few degrees by finger pressure only.



# 11 Flexible Impeller Pumps

## PULLEY DRIVEN PUMPS



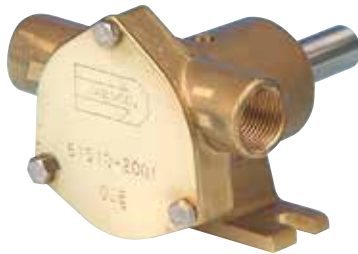
Jabco pumps have serviced major engine builders globally for more than 70 years. The self-priming flexible impeller pump is the industry recognized technology standard for leisure and work boat engine cooling. Being an original Jabco, you are assured the highest grade bronze and stainless steels are used in keeping your engine at peak operating temperature. Operating in either direction, with flows up to 83 GPM (314 LPM) and multiple port configurations, flexible impeller pumps are ideally suited

to washdown, circulation and fire duty applications onboard or dockside. Where needed, these pumps have easily replaced cams, end covers and wearplates for extended product life.

For service and spare parts see pages 162-217. Flows quoted below at 1750 rpm & 10' (3m) vertical lift (suction head). Pumps are available with neoprene or, where oils may be encountered, nitrile.

### 51510 Series

- 2.3 GPM (10.5 LPM).
- Self-priming up to 11' (3.5m) vertical lift.
- Sealed bearings for longer life.
- Mechanical seal.



Replaces Johnson model F35B-8 (10-35038)

<b>FITTING</b>	3/8" (10mm) BSP internal thread
<b>SIZE</b>	3-5/8" long x 3" wide x 2-3/8" high (9.2cm x 8cm x 6cm)
<b>WEIGHT</b>	2lb (0.9kg)

MODEL	DESCRIPTION
51510-2001	Pump
51510-9001	Pump, NPT thread

### 51520 Series

- 4 GPM (18 LPM).
- Self-priming up to 13' (4.1m) vertical lift.
- Sealed bearings for longer life.
- Mechanical seal.



<b>FITTING</b>	3/8" (10mm) BSP internal thread
<b>SIZE</b>	3-3/4" long x 3" wide x 3-1/2" high (9.5cm x 8cm x 8.5cm)
<b>WEIGHT</b>	3lb (1.4kg)

MODEL	DESCRIPTION
51520-2001	Pump
51520-9001	Pump, NPT thread

### 2760 Series

- 3.7 GPM (14 LPM).
- Lip seal.
- Double row ball bearing.
- Self-priming up to 10' (3m) vertical lift.



<b>FITTING</b>	1/4" (6mm) NPT
<b>SIZE</b>	3-9/16" long x 1-3/8" wide x 2-7/16" high (9cm x 3.5cm x 6.2cm)
<b>WEIGHT</b>	1.5lb (0.7kg)

MODEL	DESCRIPTION
2760-0001	Pump with neoprene impeller, full cam, lip seal
2760-0003	Pump with nitrile impeller, full cam, lip seal

### 2620 Series

- 5.8 GPM (22 LPM).
- Lip seal.
- Two single row ball bearings.
- Self-priming up to 10' (3m) vertical lift.



<b>FITTING</b>	3/8" (10mm) NPT
<b>SIZE</b>	3-15/16" long x 1-3/4" wide x 1-7/32" high (10cm x 4.4cm x 3.1cm)
<b>WEIGHT</b>	2.75lb (1.3kg)

MODEL	DESCRIPTION
2620-1101	Pump with neoprene impeller, full cam, lip seal
2620-1103	Pump with nitrile impeller, full cam, lip seal

## 5320-0011

- 5.8 GPM (22 LPM).
- Lip seal.
- Two single row ball bearings.
- Self-priming up to 10' (3m) vertical lift.



<b>FITTING</b>	3/8" (10mm) NPT
<b>SIZE</b>	5-15/16" long x 3-1/2" wide x 3-5/16" high (15.1cm x 8.9cm x 8.4cm)
<b>WEIGHT</b>	1.5lb (0.7kg)

MODEL	DESCRIPTION
5320-0011	Pump with neoprene impeller, full cam, lip seal

## 1673 Series

- 11.3 GPM (43 LPM).
- Lip seal.
- Two single row ball bearings.
- Self-priming up to 10' (3m) vertical lift.



<b>FITTING</b>	1/2" (13mm) NPT
<b>SIZE</b>	4-7/16" long x 4-1/8" wide x 3-13/16" high (11.3cm x 10.5cm x 9.7cm)
<b>WEIGHT</b>	4.25lb (2kg)

MODEL	DESCRIPTION
1673-1001	Pump with neoprene impeller, full cam, lip seal
1673-1003	Pump with nitrile impeller, full cam, lip seal

## 3890-9011

- 11.3 GPM (43 LPM).
- Mechanical face seal.
- Double row ball bearing.
- Self-priming up to 10' (3m) vertical lift.

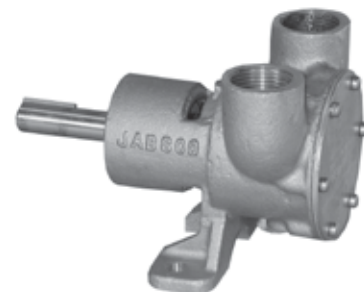


<b>FITTING</b>	3/4" (19mm) NPT
<b>SIZE</b>	5-3/16" long x 4" wide x 4" high (13.2cm x 10.2cm x 10.2cm)
<b>WEIGHT</b>	4lb (1.8kg)

MODEL	DESCRIPTION
3890-9011	Pump with neoprene impeller, full cam, mechanical seal

## 5330 Series

- 26 GPM (98 LPM).
- Mechanical face seal.
- Double row ball bearing.
- Self-priming up to 10' (3m) vertical lift.



<b>FITTING</b>	1" (25mm) NPT
<b>SIZE</b>	7" long x 4-3/4" wide x 4" high (17.8cm x 12.1cm x 10.2cm)
<b>WEIGHT</b>	7lb (3.2kg)

MODEL	DESCRIPTION
5330-9101	Pump with neoprene impeller, full cam, mechanical seal
5330-9001	Pump with nitrile impeller, 2/3 cam, mechanical seal

# 11 Flexible Impeller Pumps

## PULLEY DRIVEN PUMPS



Original Jabsco Flexible Impeller Pumps are available with neoprene impellers for water (45-160°F, 8-70°C) and general purpose pumping and nitrile impellers which are ideal for oil-based products (50-160°F, 10-82°C). Head pressures up to 26 psi or 60' can be accommodated. For reduced flow, choose the half cam version. The choice of a mechanical seal extends pump life. Do not pump gasoline or other flammable liquids. Do not run dry.

For service and spare parts see pages 162-217. Quoted flows at 10' (3m) head and 1750 rpm.

### 777 Series

- 23 GPM (87 LPM).
- 10' (3m) dry prime, 22' (7m) wet prime.
- Bronze pedestal.



<b>FITTING</b>	1" (25mm) NPTF
<b>SIZE</b>	3-9/16" long x 4-3/4" wide x 6-5/16" high (9cm x 12cm x 15.9cm)
<b>WEIGHT</b>	5.8lb (2.6kg)

#### VARIANT OPTIONS

MODEL	IMPELLER		CAM		SEAL	
	NEOPRENE	NITRILE	FULL	HALF	LIP	MECHANICAL
777-0001	X		X		X	
777-0003		X	X		X	
777-9001	X		X			X
777-9003		X	X			X
777-9051	X			X		X

### 7420 Series

- 62 GPM (235 LPM).
- Double row ball bearing.
- 7420-1001 has short shaft for Caterpillar engines.
- Self-priming up to 10' (3m) vertical lift.



<b>FITTING</b>	1-1/4" (32mm) NPT
<b>SIZE</b>	8-1/16" long x 5-1/8" wide x 5-1/16" high (20.5cm x 13cm x 12.9cm)
<b>WEIGHT</b>	10.5lb (4.8kg)

#### VARIANT OPTIONS

MODEL	IMPELLER		CAM		SEAL	
	NEOPRENE	NITRILE	FULL	HALF	LIP	MECHANICAL
7420-0004	X		X			X
7420-1001	X			X		X

### 6400 Series

- 62 GPM (235 LPM).
- Double row ball bearing.
- 6400-1051 has short shaft for Caterpillar engines.
- Self-priming up to 10' (3m) vertical lift.



<b>FITTING</b>	1-1/4" (32mm) NPT
<b>SIZE</b>	8-1/16" long x 5-7/8" wide x 4-7/8" high (20.5cm x 14.9cm x 12.4cm)
<b>WEIGHT</b>	10.5lb (4.8kg)

#### VARIANT OPTIONS

MODEL	IMPELLER		CAM		SEAL	
	NEOPRENE	NITRILE	FULL	HALF	LIP	MECHANICAL
6400-0004	X		X			X
6400-0051	X			X		X
6400-1051	X		X			X

### 18370-0000

- 83 GPM (314 LPM).
- Mechanical face seal.
- Neoprene or nitrile impeller.
- Two single row ball bearings.
- Self-priming up to 10' (3m) vertical lift.



<b>FITTING</b>	2" (51mm) NPT
<b>SIZE</b>	10-7/8" long x 8" wide x 5-1/16" high (27.6cm x 20.3cm x 12.9cm)
<b>WEIGHT</b>	19lb (8.6kg)

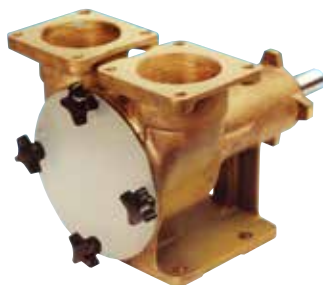
MODEL	DESCRIPTION
18370-0000	Pump with neoprene impeller, full cam, mechanical seal

Original Jabsco Flexible Impeller Pumps for commercial duty are fitted with proven quality mechanical seals, providing long life under exacting conditions. Bearings are spaced to allow higher speeds, without jeopardizing life, and the open design allows debris to pass through the pump without affecting flow or reliability. All Jabsco pumps are easily maintained using ordinary hand tools.

For service and spare parts see pages 162-217. Quoted flows at 10' (3m) head and 1500 rpm.

### 29860-2201

- 126 GPM (480 LPM).
- Self-priming up to 18' (5.5m) vertical lift.
- Special design for high flow rates.



<b>FITTING</b>	2-1/2" (64mm) BSP internal thread, 2-1/2" (64mm) flange
<b>SIZE</b>	13" long x 9" wide x 9" high (33.2cm x 22.9cm x 22.9cm)
<b>WEIGHT</b>	28lb (12.5kg)

MODEL	DESCRIPTION
29860-2201	Pump with vertical ports

### 52580-9001

- 17.8 GPM (80 LPM).
- Self-priming up to 15' (4.5m) vertical lift.
- Space sealed for life bearings.
- Mechanical seal



<b>FITTING</b>	1" (25mm) BSP
<b>SIZE</b>	6-1/2" long x 5" wide x 4" high (18cm x 12cm x 10cm)
<b>WEIGHT</b>	5lb (2.1kg)

MODEL	DESCRIPTION
52580-9001	Pump

### 52270-0011

- 60 GPM (270 LPM).
- Self-priming up to 15' (4.5m) vertical lift.



<b>FITTING</b>	2" (51mm) BSP internal thread, 2" (51mm) flange
<b>SIZE</b>	11" long x 6" wide x 7" high (28cm x 17cm x 12.8cm)
<b>WEIGHT</b>	20lb (5kg)

MODEL	DESCRIPTION
52270-0011	Pump

### 52220-0011

- 43.3 GPM (195 LPM).
- Self-priming up to 15' (4.5m) vertical lift.



<b>FITTING</b>	1-1/2" (38mm) flange
<b>SIZE</b>	10-1/2" long x 5" wide x 4" high (27.6cm x 15.2cm x 14.6cm)
<b>WEIGHT</b>	16lb (7kg)

MODEL	DESCRIPTION
52220-0011	Pump

# 11 Flexible Impeller Pumps

## PULLEY DRIVEN PUMPS



Flexible impeller pumps are self-priming and, therefore, ideal for engine cooling, washdown, circulation and many general purposes onboard or dockside. The bronze bodies and stainless steel shafts are well suited for marine environments. They can operate in either rotational direction. A variety of models are available with flows from 2.9 GPM (11 LPM) to 83 GPM (314 LPM) and with different port orientations to suit virtually any pumping

requirement. Most models have replaceable cams and wearplates for extended product life.

For service and spare parts see pages 162-217. Quoted flows at 10' (3m) head and 1500 rpm.

### 52200-2011

- 43.3 GPM (195 LPM).
- Self-priming up to 15' (4.5m) vertical lift.
- Double row angular contact bearing allows short length pump with medium duty rating.



<b>FITTING</b>	1-1/2" (38mm) BSP internal thread
<b>SIZE</b>	8" long x 6" wide x 5" high (20.4cm x 15cm x 12cm)
<b>WEIGHT</b>	11lb (5kg)

MODEL	DESCRIPTION
52200-2011	Pump

### 9710-200

- 17.8 GPM (80 LPM).
- Self-priming up to 15' (4.5m) vertical lift.
- 360° pump head orientation.
- Mechanical seal.



<b>FITTING</b>	1" (25mm) BSP internal thread
<b>SIZE</b>	9" long x 5" wide x 3" high (22.9cm x 12cm x 8cm)
<b>WEIGHT</b>	8lb (3.4kg)

MODEL	DESCRIPTION
9710-200	Pump



## 10550-200

- 8.8 GPM (40 LPM).
- Self-priming up to 18' (5.6m) vertical lift.
- 360° pump head orientation.
- Mechanical seal.



<b>FITTING</b>	3/4" (19mm) BSP internal thread
<b>SIZE</b>	7" long x 4" wide x 3" high (17cm x 10.6cm x 7.6cm)
<b>WEIGHT</b>	7lb (3kg)

MODEL	DESCRIPTION
10550-200	Pump

## 52040-2001

- 8.8 GPM (40 LPM).
- Self-priming up to 18' (5.6m) vertical lift.
- Double row angular contact bearing allows short length pump.
- Lip seal offers low cost reliability in medium duty environments.



<b>FITTING</b>	3/4" (19mm) BSP internal thread
<b>SIZE</b>	5" long x 4" wide x 3" high (12.8cm x 10.6cm x 7.6cm)
<b>WEIGHT</b>	3lb (1.5kg)

MODEL	DESCRIPTION
52040-2001	Pump

# 11 Flexible Impeller Pumps

UPGRADE TO JABSCO ENGINE COOLING PUMPS



As originators of the flexible impeller engine cooling pump, Jabsco is known worldwide for quality, reliability and serviceability.

As original equipment suppliers to engine marinizers, we also manufacture aftermarket alternatives to many original pumps. These pumps are designed to be fully serviceable, and after long use can be restored to like new condition, avoiding complete pump replacement.

## DESIGNED FOR NORTH AMERICAN ENGINES

### Jabsco 50410 Series



Probably the best crank shaft mounted pump available.

- Fits all major V8 engines.
- Lip or mechanical seals available.
- Specially designed impeller for longer life.
- Supercedes 22110 series pumps.

<b>FITTING</b>	1-1/4" (32mm) ID hose
<b>SIZE</b>	50410-1201/1301: 5" long x 4-1/2" wide x 4-1/2" high (13cm x 11cm x 11cm) 50410-1251/1351: 5" long x 4-1/2" wide x 4-1/2" high (13cm x 11cm x 11cm) 50410-1401/1501: 4-1/2" long x 4-1/2" wide x 4-1/2" high (11cm x 11cm x 11cm)
<b>WEIGHT</b>	5lb (2.2kg)

MODEL	DESCRIPTION
50410-1201	454 C.I. Chevrolet, lip seal
50410-1301	454 C.I. Chevrolet, mechanical seal
50410-1251	305 & 350 C.I. Chevrolet, lip seal
50410-1351	305 & 350 C.I. Chevrolet, mechanical seal
50410-1401	8.1L Chevrolet, lip seal
50410-1501	8.1L Chevrolet, mechanical seal

For service and spare parts listing, see pages 212-214.

### MerCruiser Type 43210-0001

Marine engine cooling pump replaces MerCruiser model 46-72774-A32.

- Left or right hand rotation.
- One piece bronze body.
- Bronze end plate.
- Replaceable cam and wearplate.



<b>FITTING</b>	1-1/4" (32mm) hose barb
<b>SIZE</b>	9-5/32" long x 4-1/2" wide x 4-1/8" high (23.3cm x 11cm x 10.5cm)
<b>WEIGHT</b>	75lb (3.2kg)
<b>DRIVE</b>	Pulley
<b>MOUNT</b>	MerCruiser clamp type or MerCruiser bracket

MODEL	DESCRIPTION
43210-0001	MerCruiser pump
43216-1000	Replacement bronze end cover for MerCruiser produced pumps

For service and spare parts listing, see pages 208-210.

### Crusader Type 42730-0000

Marine engine cooling pump replaces Crusader model number 97179 and Sherwood E-35.

- Fits most pre-1993 Crusader engines.
- Accepts Crusader drive pulley.
- Bolts directly to stock mounting bracket.
- Wearplate and seal can generally be replaced without removing the pump shaft.



<b>FITTING</b>	1" (25mm) NPT internal
<b>SIZE</b>	4-15/16" long x 4-7/8" wide x 4-1/4" high (12.5cm x 12.4cm x 10.8cm)
<b>WEIGHT</b>	7lb (3.2kg)
<b>DRIVE</b>	Pulley
<b>MOUNT</b>	Pedestal

MODEL	DESCRIPTION
42730-0000	Crusader pump

For service and spare parts listing, see page 208.

DESIGNED FOR NORTH AMERICAN ENGINES

Jabsco Replacements for Sherwood Engine Cooling Pumps

Jabsco Engine Cooling Pumps are constructed with all bronze body, bearing housing and stainless steel shaft to withstand harsh marine environments.

They can directly replace the Sherwood models G-30-2 on current Chris-Craft production engines and G-5 on current Chrysler engines. They may also fit some models of Volvo, Escort, Pleasurecraft and Datsun engines.

Pumps are available in a variety of configurations. They can be supplied with a choice of: 1" (25mm) or 1-1/4" (32mm) ports; mounting tabs on front or rear of bearing housing; and 6-1/2" (16.5cm) "A" belt pulley, pulley mounting adapter, or 3/16" (5mm) key on the shaft.

JABSCO MODEL	SHERWOOD MODEL	PORT SIZE	ENGINE APPLICATION
18830-0000	G-30-2	1" (25mm)	Chris-Craft 350 C.I.
18830-1020	-	1" (25mm)	Commander Marine 302, 351 C.I. Glastron 302, 351 C.I. 165, 190, 200 & 225
18840-0010	G-21	1" (25mm)	Pleasurecraft
18840-1010	-	1" (25mm)	Nissan LDM 4-cyl.
18930-0000	G-45-1	1-1/4" (32mm)	Chris-Craft
18940-0010	G-5, G-7-B	1-1/4" (32mm)	Chrysler LM-318X- LM-340X Lehman 302, 351 C.I. Powerhouse Marine 302, 351 C.I.

For service and spare parts listing, see page 190.



Mounting tabs near body



With pulley adapter



With pulley



With keyed shaft

Port size  
1" 18830-0000  
1-1/4" 18930-0000

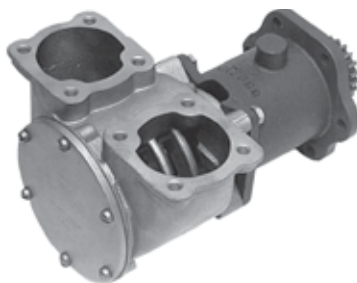
Port size  
1" 18830-0010  
1-1/4" 18930-0010

Port size  
1" 18830-1020  
1-1/4" 18930-0020

17360-1001

Marine engine cooling pump for Caterpillar engine models. D-336 and D-353. With minor plumbing modifications may be adapted to:

- Caterpillar D-343.
- Detroit Diesel V-71 and V-92.
- Some Stewart and Stevenson marinizations of Detroit Diesel engines.



<b>FITTING</b>	2-1/2" (64mm) flange port
<b>SIZE</b>	9-1/4" long x 7-7/8" wide x 5-15/16" high (23.5cm x 20cm x 15cm)
<b>WEIGHT</b>	28lb (12.7kg)
<b>DRIVE</b>	Gear
<b>MOUNT</b>	Engine

MODEL	DESCRIPTION
17360-1001	Pump

For service and spare parts listing, see page 188.



Mounting tabs near pulley



With pulley

Port size  
1" 18840-0010  
1-1/4" 18940-0010  
1-1/2" 18825-0010

# 11 Flexible Impeller Pumps

UPGRADE TO JABSCO ENGINE COOLING PUMPS

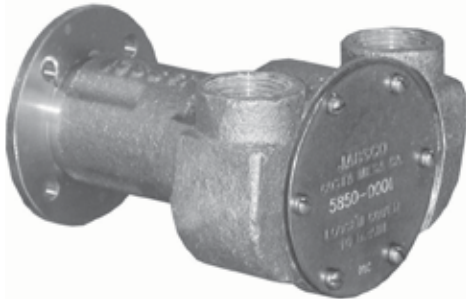


DESIGNED FOR NORTH AMERICAN ENGINES

## 5850-0001

Marine engine cooling pump for:

- Flagship.
- Palmer Lehman.
- Chris-Craft.



<b>FITTING</b>	3/4" (19mm) NPT
<b>SIZE</b>	5-5/16" long x 4-1/4" wide x 3-1/4" high (13.5cm x 10.8cm x 8.3cm)
<b>WEIGHT</b>	6lb (2.7kg)
<b>DRIVE</b>	Coupling
<b>MOUNT</b>	Engine

For service and spare parts listing, see page 170.

## 12600-0001

Marine engine cooling pump for engine models:

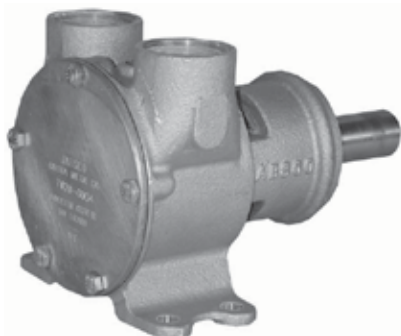
- Cummins V-903.
- Cummins VT-903.



<b>FITTING</b>	3" (76mm) hose
<b>SIZE</b>	7" long x 7-3/8" wide x 8-1/2" high (17.8cm x 18.7cm x 21.6cm)
<b>WEIGHT</b>	20lb (9kg)
<b>DRIVE</b>	Gear
<b>MOUNT</b>	Engine

For service and spare parts listing, see page 186.

## 7420-1001



<b>FITTING</b>	1-1/4" (32mm) NPT vertical ports
<b>SIZE</b>	7-1/32" long x 5-7/8" wide x 4-7/8" high (17.9cm x 14.9cm x 12.4cm)
<b>WEIGHT</b>	10.5lb (4.8kg)
<b>DRIVE</b>	Pulley
<b>MOUNT</b>	Pedestal

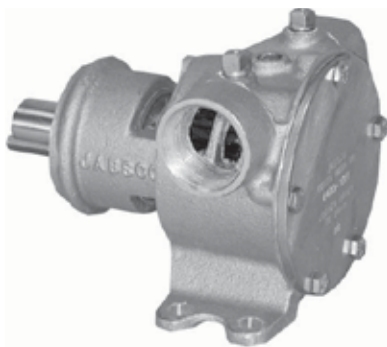
For service and spare parts listing, see page 174.

## DESIGNED FOR NORTH AMERICAN ENGINES

## 6400-1051

Marine engine cooling pump for engine models:

- Caterpillar 3160.
- Caterpillar 3208.



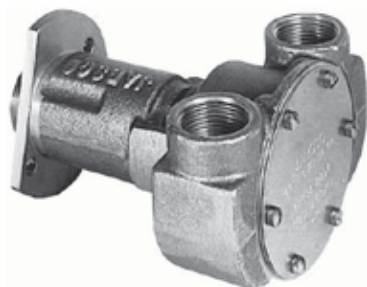
<b>FITTING</b>	1-1/4" (32mm) NPT horizontal ports
<b>SIZE</b>	7-1/32" long x 5-7/8" wide x 4-7/8" high (17.9cm x 14.9cm x 12.4cm)
<b>WEIGHT</b>	10.5lb (4.8kg)
<b>DRIVE</b>	Pulley
<b>MOUNT</b>	Pedestal

For service and spare parts listing, see page 170.

## 18400-0050

Marine engine cooling generator pump for:

- Onan MDJF 15KW.



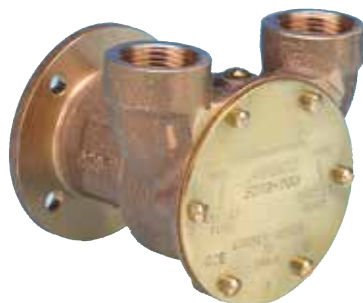
<b>FITTING</b>	3/4" (19mm) NPT
<b>SIZE</b>	5-5/16" long x 4-1/4" wide x 3-1/4" high (13.5cm x 10.8cm x 8.3cm)
<b>WEIGHT</b>	6lb (2.7kg)
<b>DRIVE</b>	Coupling
<b>MOUNT</b>	Engine

For service and spare parts listing, see page 190.

## 3270-0001

Marine engine cooling pump for engine models:

- Perkins 4-107.
- Perkins 4-108.



<b>FITTING</b>	3/4" (19mm) NPT
<b>SIZE</b>	4-1/4" long x 4-1/8" wide x 3-7/8" high (10.8cm x 10.5cm x 9.8cm)
<b>WEIGHT</b>	4lb (1.8kg)
<b>DRIVE</b>	Coupling
<b>MOUNT</b>	Engine

For service and spare parts listing, see page 166.

# 11 Flexible Impeller Pumps

UPGRADE TO JABSCO ENGINE COOLING PUMPS



DESIGNED FOR EUROPEAN ENGINES

## 10950 Series

Marine engine cooling pump for Ford Dover and Dorset 4-cyl. engines. Marinized by:

- C-Power.
- CT Marine.
- Lancing.
- Lehman.
- SAAB.
- Sabre.
- Watermota.



<b>FITTING</b>	3/4" (19mm) BSP
<b>SIZE</b>	6-1/2" long x 4-1/2" wide x 5-1/8" high (16.6cm x 11.5cm x 13cm)
<b>WEIGHT</b>	7lb (3kg)
<b>DRIVE</b>	Gear
<b>MOUNT</b>	Engine

For service and spare parts listing, see pages 182-184.

## 21140 Series

Marine engine cooling pump for Ford Dover and Dorset 6-cyl. engines. Marinized by:

- C-Power.
- Hawker Siddeley Marine (Lister Petter).
- Lancing.
- Lehman.
- Mermaid.
- SAAB.
- Sabre.
- Tempest.
- Watermota.



Also available in North America.

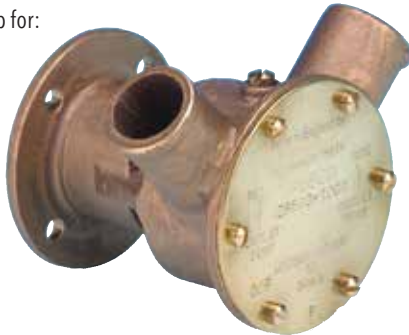
<b>FITTING</b>	1" (25mm) BSP
<b>SIZE</b>	7-1/4" long x 4-1/2" wide x 5-1/8" high (18.5cm x 11.5cm x 13cm)
<b>WEIGHT</b>	8lb (3.6kg)
<b>DRIVE</b>	Gear
<b>MOUNT</b>	Engine

For service and spare parts listing, see page 192.

## 29500-1001

Marine engine cooling pump for:

- Aifo Iveco.
- Lancing.
- Perkins.
- Sole.
- VM Motori.



<b>FITTING</b>	1-1/8" (28mm) hose
<b>SIZE</b>	4-3/4" long x 4" wide x 4" high (116cm x 10cm x 10cm)
<b>WEIGHT</b>	2.5lb (1.2kg)
<b>DRIVE</b>	Coupling
<b>MOUNT</b>	Engine

For service and spare parts listing, see page 204.

## 9700-01

Marine engine cooling pump for:

- Hamworthy.
- Perkins.
- Leyland-Thornycroft.



<b>FITTING</b>	1" (25mm) flanged
<b>SIZE</b>	5-3/4" long x 4-3/4" wide x 3-7/8" high (14.9cm x 12.1cm x 9.9cm)
<b>WEIGHT</b>	6lb (2.8kg)
<b>DRIVE</b>	Coupling
<b>MOUNT</b>	Engine

For service and spare parts listing, see page 176.

DESIGNED FOR EUROPEAN ENGINES

9970-200

Marine engine cooling pump for:

- Hawker Siddeley Marine (Lister Petter).
- Hamworthy.
- Perkins.
- Lehman.
- Sisu (Valmet).



Also available in North America.

<b>FITTING</b>	3/4" (19mm) BSP
<b>SIZE</b>	5-5/8" long x 4" wide x 3-3/8" high (14.3cm x 10cm x 8.6cm)
<b>WEIGHT</b>	4lb (1.8kg)
<b>DRIVE</b>	Coupling
<b>MOUNT</b>	Engine

For service and spare parts listing, see page 176.

10970

Marine engine cooling pump for:

- Perkins 4.236.

Also available in North America.



<b>FITTING</b>	3/4" (19mm) NPTF
<b>SIZE</b>	5-5/8" long x 4-3/4" wide x 4-1/2" high (14.3cm x 12cm x 11.5cm)
<b>WEIGHT</b>	7lb (3.26kg)
<b>DRIVE</b>	Gear
<b>MOUNT</b>	Engine

For service and spare parts listing, see page 184.

10970-21

Marine engine cooling pump for:

- Perkins 4.236.
- Perkins M90.



<b>FITTING</b>	3/4" (19mm) flanged
<b>SIZE</b>	5-7/8" long x 5-5/8" wide x 4-1/2" high (14.9cm x 14.3cm x 11.5cm)
<b>WEIGHT</b>	8lb (3.6kg)
<b>DRIVE</b>	Gear
<b>MOUNT</b>	Mount

For service and spare parts listing, see page 184.

# 11 Flexible Impeller Pumps

COOLING PUMP SPARES BY MAKE OF ENGINE



JABSCO PUMP DETAILS							SERVICE KIT DETAILS				
MODEL NUMBER	MODEL NUMBER * OEM ONLY	SIZE	PORT SIZE	MOUNT TYPE	OBSOLETE	ALTERNATE PUMP NUMBER	NUMBER	END COVER GASKET	IMPELLER	WATER SEAL	END COVER SCREWS
<b>AIFO IVECO – ITALY</b>											
C78 ENT M55.10	11100-0541	270	2" Flanged	Flange			SK254	816	21676-0001	21849	SP1005-04
CO 1DM / 2DM / 3DM	9700-41	080	1" Flanged	Flange	•	9700-01 + CAM 2431	SK238-21	2432	17937-0001	SP6080-06	SP1003-01
	29500-1001	040	Ø 28 Hose	Flange			SK384-0001	3298	1210-0001	SP2700-1027	SP1002-02
	29500-1001	040	Ø 28 Hose	Flange			SK384-0001	3298	1210-0001	SP2700-1027	SP1002-02
CP 3SM	9700-21	080	1" Flanged	Flange		29600-1001	SK238	890	17937-0001	SP6080-06	SP1003-01
	29600-1001	080	Ø 32 Hose	Flange		New Pipework	SK385-0101	890	17937-0001	SP6080-0469	SP1003-0111
OMCP 3M	9700-21	080	1" Flanged	Flange		29600-1001	SK238	890	17937-0001	SP6080-06	SP1003-01
	29600-1001	080	Ø 32 Hose	Flange		New Pipework	SK385-0101	890	17937-0001	SP6080-0469	SP1003-0111
UNO M20	22770-1051	060	Ø 25 Hose	Crank	•	29440-1051	SK346	1985-01	673-0001	SP2701-21	SP1004-09
UNO M40	22770-1051	060	Ø 25 Hose	Crank	•	29440-1051	SK346	1985-01	673-0001	SP2701-21	SP1004-09
	29440-1051	020	Ø 25 Hose	Crank			SK402-0001	1985-0000	18653-0001	29441-0000	SP1004-09
503 / 504 / 505 / 513	9700-61	080	1" Flanged	Flange	•		SK238	890	17937-0001	SP6080-06	SP1003-01
520S / 521 / 521S	9700-61	080	1" Flanged	Flange	•		SK238	890	17937-0001	SP6080-06	SP1003-01
514 / 600	9560	010	3/8" BSP	Flange	•		SK23	1189	4528-0001	SP2701-14	SP1002-01
	29500-1001	040	Ø 28 Hose	Flange			SK384-0001	3298	1210-0001	SP2700-1027	SP1002-02
806 SM	9700-21	080	1" Flanged	Flange		29600-1001	SK238	890	17937-0001	SP6080-06	SP1003-01
8060 M / SDM	9700-21	080	1" Flanged	Flange		29600-1001	SK238	890	17937-0001	SP6080-06	SP1003-01
8061SM / SRM	9700-21	080	1" Flanged	Flange		29600-1001	SK238	890	17937-0001	SP6080-06	SP1003-01
	29600-1001	080	Ø 32 Hose	Flange		New Pipework	SK385-0101	890	17937-0001	SP6080-0469	SP1003-0111
8141 M / SRM	9700-21	080	1" Flanged	Flange		29600-1001	SK238	890	17937-0001	SP6080-06	SP1003-01
	29600-1001	080	Ø 32 Hose	Flange		New Pipework	SK385-0101	890	17937-0001	SP6080-0469	SP1003-0111
8141SM11	29500-1001	040	Ø 28 Hose	Flange			SK384-0001	3298	1210-0001	SP2700-1027	SP1002-02
821 / 8210 / 8220 / 8280 M	9700-21	080	1" Flanged	Flange		29600-1001	SK238	890	17937-0001	SP6080-06	SP1003-01
8210 M	9700-21	080	1" Flanged	Flange		29600-1001	SK238	890	17937-0001	SP6080-06	SP1003-01
	29600-1001	080	Ø 32 Hose	Flange		New Pipework	SK385-0101	890	17937-0001	SP6080-0469	SP1003-0111
8280 M / 8281 SRM	23340-1001	120	Ø 45 Hose	Flange	•		SK310	890	17018-0001	22617-0010	SP1003-09
8281 SRM 44 / 47 / 70	11100-0541	270	2" Flanged	Flange			SK254	816	21676-0001	21849	SP1005-04
828 MTEA	10880-2611	200	1-1/2" Flanged	Flange	•		SK375-0101	816	17935-0001	21849	SP1005-04



JABSCO PUMP DETAILS							SERVICE KIT DETAILS				
MODEL NUMBER	MODEL NUMBER * OEM ONLY	SIZE	PORT SIZE	MOUNT TYPE	OBSOLETE	ALTERNATE PUMP NUMBER	NUMBER	END COVER GASKET	IMPELLER	WATER SEAL	END COVER SCREWS
	10880-2561	200	1-1/2" Flanged	Flange			SK375-0101	816	17935-0001	21849	SP1005-04
91 SRM / 12L	29850-0031	370	2-3/4" Flanged	Flange	•	29880-0001	SK410	X4020-424A	17420-0001	21849	SP1094-0060
	29880-0001	370	2-3/4" Flanged	Flange			SK410	X4020-424A	17240-0001	21849	X3001-180F
836 MTCA	9700-21	080	1" Flanged	Flange		29600-1001	SK238	890	17937-0001	SP6080-06	SP1003-01
8361 M / SM / SRM	9700-21	080	1" Flanged	Flange		29600-1001	SK238	890	17937-0001	SP6080-06	SP1003-01
	29600-1001	080	Ø 32 Hose	Flange		New Pipework	SK385-0101	890	17937-0001	SP6080-0469	SP1003-0111
8460 SRM 45 / 50	11100-0541	270	2" Flanged	Flange			SK254	816	21676-0001	21849	SP1005-04
402IM17	29470-2231C	020	3/8" BSP	Flange			SK405-0001	29476-0000	18653-0001	SP2701-1006	X3004-095G
403IM25	29470-2531C	020	3/8" BSP	Flange			SK405-0001	29476-0000	18653-0001	SP2701-1006	X3004-095G
404IM33	29470-2431C	020	3/8" BSP	Flange			SK405-0001	29476-0000	18653-0001	SP2701-1006	X3004-095G
414IM48	29470-2431C	020	3/8" BSP	Flange			SK405-0001	29476-0000	18653-0001	SP2701-1006	X3004-095G
M37.10	50350-1101	120	Ø 45 Hose	Flange				X4020-269A	17018-0001	SP6080-0469	X3001-176F

**AMERICAN DIESEL – USA**

Ford (UK) 4-cyl.	10950-2401	040	3/4" BSP	Flange			SK239	3298	1210-0001	22617-0010	SP1002-02
Ford (UK) 6-cyl.	21140-2401	080	1" BSP	Flange			SK229	890	17937-0001	22617-0010	SP1003-09

**BAUDOUIIN – FRANCE**

GD 106	23430-1301	080	Ø 32 Hose	Flange			SK385-0001	890	17937-0001	SP2700-1027	SP1003-0111
--------	------------	-----	-----------	--------	--	--	------------	-----	------------	-------------	-------------

**BETA MARINE – UK**

Isuzu - B3KC1	29460-1001	020	Ø 20 Hose	Flange	•		SK401-0001	2995-0030	18653-0001	SP2701-1006	SP1002-01
BD3	23430-1251	080	Ø 32 Hose	Flange	•		SK385-0001	890	17937-0001	SP2700-1027	SP1003-0111
BD4	21140-2601	080	1" BSP	Flange			SK229	890	17937-0001	22617-0010	SP1003-09
BZ482	29460-1401	020	Ø 20 Hose	Flange	•	29460-1631	SK401-0001	2995-0030	18653-0001	SP2701-1006	SP1002-01
BD662 / 772	29460-1401	020	Ø 20 Hose	Flange	•	29460-1631	SK401-0001	2995-0030	18653-0001	SP2701-1006	SP1002-01
BD1005	29460-1301	020	Ø 20 Hose	Flange	•	29460-1701	SK401-0001	2995-0030	18653-0001	SP2701-1006	SP1002-01
BV1205 / 1305 / 1505	29460-1301	020	Ø 20 Hose	Flange	•	29460-1701	SK401-0001	2995-0030	18653-0001	SP2701-1006	SP1002-01
BV1903 / 2203	29500-1501	020	Ø 20 Hose	Flange			SK401-0001	2995-0030	18653-0001	SP2701-1006	SP1002-01
BF2803	29500-1501	020	Ø 20 Hose	Flange			SK401-0001	2995-0030	18653-0001	SP2701-1006	SP1002-01
Kubota-Series BZ / BD / BV	29460-1401	020	Ø 20 Hose	Flange	•	29460-1631	SK401-0001	2995-0030	18653-0001	SP2701-1006	SP1002-01

# 11 Flexible Impeller Pumps

COOLING PUMP SPARES BY MAKE OF ENGINE



JABSCO PUMP DETAILS							SERVICE KIT DETAILS				
MODEL NUMBER	MODEL NUMBER * OEM ONLY	SIZE	PORT SIZE	MOUNT TYPE	OBSOLETE	ALTERNATE PUMP NUMBER	NUMBER	END COVER GASKET	IMPELLER	WATER SEAL	END COVER SCREWS
<b>BUKH-KALUNDBORG</b>											
DV 8 ME / SME	29300-2101C	010	3/8" BSP	Flange	•		SK404-0001	29308-0000	22405-0001	SP2701-1006	X3004-095G
DV 10 L / LME / LSME	29300-2101C	010	3/8" BSP	Flange	•		SK404-0001	29308-0000	22405-0001	SP2701-1006	X3004-095G
DV 10 M	11260-2151	010	3/8" BSP	Flange	•	29300-2151C	SK266	1126	4528-0001	SP2701-04	SP1002-01
DV 10 ME / SME	29300-2101C	010	3/8" BSP	Flange	•		SK404-0001	29308-0000	22405-0001	SP2701-1006	X3004-095G
DV 20 M	11260-2101	010	3/8" BSP	Flange	•	29300-2201C	SK266	1126	4528-0001	SP2701-04	SP1002-01
DV 20 M	29300-2201C	010	3/8" BSP	Flange	•		SK404-0001	29308-0000	22405-0001	SP2701-1006	X3004-095G
DV 20 ME / SME	29300-2101C	010	3/8" BSP	Flange	•		SK404-0001	29308-0000	22405-0001	SP2701-1006	X3004-095G
DV 24 ME / SME	29300-2101C	010	3/8" BSP	Flange	•		SK404-0001	29308-0000	22405-0001	SP2701-1006	X3004-095G
DV 36 ME / SME	29300-2101C	040	3/8" BSP	Flange	•		SK404-0001	29308-0000	22405-0001	SP2701-1006	X3004-095G
2G/3G 105M	10-32256-1	040							1210-0001		
4K 105 M	9710-205	080	1" BSP	Foot			SK229-01	2432	17937-0001	22617-0010	SP1003-09
6K 105 M	9710-204	080	1" BSP	Foot	•		SK229	890	17937-0001	22617-0010	SP1003-09
<b>BUROLI – ITALY</b>											
Escort XLD	52040-2001	040	3/4" BSP	Foot			SK384-0101	3298	1210-0001	SP2701-1015	X3001-095F
Ford 2401E	10950-201	040	1/2" BSP	Flange	•	10950-2401	SK239	3298	1210-0001	22617-0010	SP1002-02
Ford 2401E	10950-2401	040	3/4" BSP	Flange			SK239	3298	1210-0001	22617-0010	SP1002-02
Ford 2725 / 2726 TM	21140-2601	080	1" BSP	Flange			SK229	890	17937-0001	22617-0010	SP1003-09
Ford 2728 TIM	21140-2601	080	1" BSP	Flange			SK229	890	17937-0001	22617-0010	SP1003-09
<b>CATERPILLAR MARINE POWER LTD</b>											
3.323 / 329	21090-204	040	3/4" BSP	Flange	•		SK230	816	836-0001	21849	SP1005-04
3.333 / 333 H	21090-204	040	3/4" BSP	Flange	•		SK230	816	836-0001	21849	SP1005-04
4.18	6490-223	040	1/2" BSP	Foot	•		SK225-01	6496	1210-0001	SP2701-21	SP1003-09
4.90	52040-2001	040	3/4" BSP	Foot			SK384-0101	3298	1210-0001	SP2701-1015	X3001-095F
4.120	29500-1001	040	Ø 28 Hose	Flange			SK384-0001	3298	1210-0001	SP2700-1027	SP1002-02
4.220	6490-223	040	1/2" BSP	Foot	•		SK225-01	6496	1210-0001	SP2701-21	SP1003-09
4.254	10950-2441	040	3/4" BSP	Flange	•	10950-2601	SK239	3298	1210-0001	22617-0010	SP1002-02
4.254	10950-2601	040	3/4" BSP	Flange			SK239	3298	1210-0001	22617-0010	SP1002-02
4.254	21140-2401	080	1" BSP	Flange			SK229	890	17937-0001	22617-0010	SP1003-09
4.442	21090-204	040	3/4" BSP	Flange	•		SK230	816	836-0001	21849	SP1005-04

JABSCO PUMP DETAILS							SERVICE KIT DETAILS				
MODEL NUMBER	MODEL NUMBER * OEM ONLY	SIZE	PORT SIZE	MOUNT TYPE	OBSOLETE	ALTERNATE PUMP NUMBER	NUMBER	END COVER GASKET	IMPELLER	WATER SEAL	END COVER SCREWS
4.444	23430-1201	080	Ø 32 Hose	Flange			SK385-0001	890	17937-0001	SP2700-1027	SP1003-0111
6.216	21140-2401	080	1" BSP	Flange			SK229	890	17937-0001	22617-0010	SP1003-09
6.363 TC / TC 1C	21140-200	080	1" BSP	Flange	•	21140-2401	SK229	890	17937-0001	22617-0010	SP1003-09
6.363 TC / TC 1C	21140-2401	080	1" BSP	Flange			SK229	890	17937-0001	22617-0010	SP1003-09
6.380	21140-200	080	1" BSP	Flange	•	21140-2401	SK229	890	17937-0001	22617-0010	SP1003-09
6.380	21140-2401	080	1" BSP	Flange			SK229	890	17937-0001	22617-0010	SP1003-09
6.666	23430-1201	080	Ø 32 Hose	Flange			SK385-0001	890	17937-0001	SP2700-1027	SP1003-0111
6.78 LTT I	29700-1201	120	Ø 45 Hose	Flange			SK386-0001	890	17018-0001	SP6080-0469	SP1003-0111
Ford 2500	23430-1201	080	Ø 32 Hose	Flange			SK385-0001	890	17937-0001	SP2700-1027	SP1003-0111
Ford 2720	21140-2401	080	1" BSP	Flange			SK229	890	17937-0001	22617-0010	SP1003-09
<b>CRM – ITALY</b>											
9 D / A / S	10590	270	2" Flanged	Flange	•	10590-22	SK254	816	21676-0001	21849	SP1005-04
	10590-22	270	2" Flanged	Flange	•	2 Pumps/ Eng.	SK254	816	21676-0001	21849	SP1005-04
12 / 18 DS2	9700-131	080	1" Flanged	Flange			SK238	890	17937-0001	SP6080-06	SP1003-01
<b>CUMMINS – UK</b>											
NH 250M	3570	200	1-3/4" Flanged	Flange	•		SK375-0101	816	17935-0001	21849	SP1005-04
NT 855M	7420-0101	200	1-1/4" NPT	Foot			SK375-0101	816	17935-0001	21849	SP1005-04
V504M	11600	080	1" NPT	Foot	•		SK299	890	17937-0001	22617-0010	SP1003-09
V555M SC	21680-05	080	1-1/4" NPT	Foot	•		SK315-0101	816	17935-0001	21849	SP1005-04
VT555M SC	21680-05	080	1-1/4" NPT	Foot	•		SK315-0101	816	17935-0001	21849	SP1005-04
VT55M BC	7420-0004	200	1-1/4" NPT	Foot	•	7420-0101	SK375-0101	816	17935-0001	21849	SP1005-04
VT55M BC	7420-0101	200	1-1/4" NPT	Foot			SK375-0101	816	17935-0001	21849	SP1005-04
VT555M BC	7420-0101	200	1-1/4" NPT	Foot			SK375-0101	816	17935-0001	21849	SP1005-04
B-Series	23430-1401	080	Ø 32 Hose	Flange			SK385-0001	890	17937-0001	SP2700-1027	SP1003-0111
						Sherwood Pump			18948-0001		
<b>DAF – NETHERLANDS</b>											
DA 475 / D 575 M	6420-2001	080	1" BSP	Foot	•	52080-2001	SK385-0201	890	17937-0001	SP2700-1027	SP1003-09
DA 475 / D 575 M	52080-2001	080	1" BSP	Foot			SK406-0001	890	17937-0001	SP2700-48	X3001-147F

# 11 Flexible Impeller Pumps

COOLING PUMP SPARES BY MAKE OF ENGINE



JABSCO PUMP DETAILS							SERVICE KIT DETAILS				
MODEL NUMBER	MODEL NUMBER * OEM ONLY	SIZE	PORT SIZE	MOUNT TYPE	OBSOLETE	ALTERNATE PUMP NUMBER	NUMBER	END COVER GASKET	IMPELLER	WATER SEAL	END COVER SCREWS
DS 575 M	9710-200	080	1" BSP	Foot			SK229	890	17937-0001	22617-0010	SP1003-09
DT 575 MY	11410-200	040	3/4" BSP	Foot	•	Bilge	SK328	11415	1210-0001	22617-0010	SP1003-08
	Dual Pump	080	1" BSP	Foot		Cooling	SK328	890	17937-0001	22617-0010	SP1003-11
DT 615 MY	9710-200	080	1" BSP	Foot			SK229	890	17937-0001	22617-0010	SP1003-09
D 600	11100-0151	270	2" Flanged	Flange	•		SK254	816	21676-0001	21849	SP1005-04
D 620	10630-57	200	1-1/2" Flanged	Flange	•	52220-0011	SK230	816	836-0001	21849	SP1005-04
D 620	52220-0051	200	1-1/2" Flanged	Foot			SK407-0011	816	17935-0001	SP6080-0374	X3001-176F
DP 680 M	9710-200	080	1" BSP	Foot			SK229	890	17937-0001	22617-0010	SP1003-09
DP 680 M	11410-200	040	3/4" BSP	Foot	•	Bilge	SK328	11415	1210-0001	22617-0010	SP1003-08
	Dual Pump	080	1" BSP	Foot		Cooling	SK328	890	17937-0001	22617-0010	SP1003-11
DK 1160 MY	10770-57	200	1-1/2" Flanged	Flange			SK230	816	836-0001	21849	SP1005-04
DKS 1160 M	11100-0101	270	2" Flanged	Flange	•		SK254	816	21676-0001	21849	SP1005-04
DKT 1160	11100-0141	270	2" Flanged	Flange	•		SK254	816	21676-0001	21849	SP1005-04
<b>DAYTONA – USA</b>											
DME - 4	30892-0001										
DME - 6	30892-0001										
DME - 7 (to mid-1995)	17360-1001						90190-0001	17365-1000	17365-0001	996080-0371	91005-0040
DME - 7 (from mid-1995)	17490-0001				•						
DME - 9 (to mid-1995)	17360-1001						90190-0001	17365-1000	17365-0001	996080-0371	91005-0040
DME - 9 (from mid-1995)	17490-0001				•						
<b>DRINKWAARD – NETHERLANDS</b>											
<b>DAF D-Series</b>											
A 475 / D 575 / F 615	6420-2001	080	1" BSP	Foot	•	52080-2001	SK385-0201	890	17937-0001	SP2700-1027	SP1003-09
A 475 / D 575 / F 615	52080-2001	080	1" BSP	Foot			SK406-0001	890	17937-0001	SP2700-48	X3001-147F
<b>Mercedes</b>											
OM 314 / 352 / 352A	6420-2001	080	1" BSP	Foot	•	52080-2001	SK385-0201	890	17937-0001	SP2700-1027	SP1003-09
OM 314 / 352 / 352A	52080-2001	080	1" BSP	Foot			SK406-0001	890	17937-0001	SP2700-48	X3001-147F
OM 615 / 621 / 636	3270-2301	040	3/4" BSP	Flange	•		SK33	3298	1210-0001	SP2701-21	SP1002-02
OM 616 / 617	23430-1601	080	Ø 32 Hose	Flange			SK385-0001	890	17937-0001	SP2700-1027	SP1003-0111
<b>Mitsubishi</b>											
KE 75	3270-2301	040	3/4" BSP	Flange	•		SK33	3298	1210-0001	SP2701-21	SP1002-02

JABSCO PUMP DETAILS							SERVICE KIT DETAILS				
MODEL NUMBER	MODEL NUMBER * OEM ONLY	SIZE	PORT SIZE	MOUNT TYPE	OBSOLETE	ALTERNATE PUMP NUMBER	NUMBER	END COVER GASKET	IMPELLER	WATER SEAL	END COVER SCREWS
K 3D / 4C	3270-2301	040	3/4" BSP	Flange	•		SK33	3298	1210-0001	SP2701-21	SP1002-02
K 2AS	52010-2001	010	3/8" NPTF	Foot	•	51510-2001	SK404-0101	29308-0000	22405-0001	SP2701-0501	X3001-095F
<b>DUFFIELD – UK</b>											
MC 42	29450-1231	020	Ø 20 Hose	Flange			SK387-0001	2995-0030	673-0001	SP2700-05	SP1002-01
3HD 46	29450-1201	020	Ø 20 Hose	Flange			SK387-0001	2995-0030	673-0001	SP2700-05	SP1002-01
<b>ENTECH WEST – USA</b>											
K 34	29300-2401	010	3/8" BSP	Flange	•		SK404-0001	29308-0000	22405-0001	SP2701-1006	X3004-095G
<b>FARYMANN DIESEL – GERMANY</b>											
A 30M / H	11620-211	010	1/4" BSP	Flange	•		SK23	1189	4528-0001	SP2701-11	SP1002-01
A 30						Johnson Pump			22405-0001		
A 40M / H	11620-211	010	1/4" BSP	Flange	•		SK23	1189	4528-0001	SP2701-11	SP1002-01
AL 35						Johnson Pump			22405-0001		
AL 40						Johnson Pump			22405-0001		
CS	6540-201	020	3/8" BSP	Foot	•		SK205-01	2995-0030	673-0001	B22	SP8019-01
CS	2620-211	020	3/8" BSP	Foot	•	2620-200	SK20	2995-0030	673-0001	SP2700-05	SP1002-02
CS	2620-200	020	3/8" BSP	Foot	•		SK20	2995-0030	673-0001	SP2700-05	SP1002-02
DS / ES / GS	9360	010	1/4" BSP	Foot	•		SK223	1126	4528-0001	AL22	SP8019-01
FK2	29300-2001	010	3/8" BSP	Flange	•		SK404-0001	29308-0000	22405-0001	SP2701-1006	X3004-095G
FK3	29470-2031	020	3/8" BSP	Flange	•		SK405-0001	29476-0000	18653-0001	SP2701-1006	X3004-095G
K 30 M	9360	010	1/4" BSP	Foot	•		SK223	1126	4528-0001	AL22	SP8019-01
K 30 M	11260-211	010	1/4" BSP	Flange	•		SK266	1126	4528-0001	SP2701-04	SP1002-01
K 30						Johnson Pump			22405-0001		
K 34	29300-2401	010	3/8" BSP	Flange	•		SK404-0001	29308-0000	22405-0001	SP2701-1006	X3004-095G
	52010-2001	010	3/8" NPTF	Foot	•	51510-2001	SK404-0101	29308-0000	22405-0001	SP2701-0501	X3001-095F
	52020-2031	020	1/2" BSP	Foot			SK405-0101	2995-0030	18653-0001	SP2701-0501	X3001-095F
L 30						Johnson Pump			22405-0001		
P 30M / H	6540-211	020	3/8" BSP	Foot	•		SK205-01	2995-0030	673-0001	B22	SP8019-01
Q 30M / H									673-0001		

# 11 Flexible Impeller Pumps

COOLING PUMP SPARES BY MAKE OF ENGINE



JABSCO PUMP DETAILS							SERVICE KIT DETAILS				
MODEL NUMBER	MODEL NUMBER * OEM ONLY	SIZE	PORT SIZE	MOUNT TYPE	OBSOLETE	ALTERNATE PUMP NUMBER	NUMBER	END COVER GASKET	IMPELLER	WATER SEAL	END COVER SCREWS
R 30M / H	2620-211	020	3/8" BSP	Foot	•	2620-200	SK20	2995-0030	673-0001	SP2700-05	SP1002-02
S 30M / H	2620-211	020	3/8" BSP	Foot	•	2620-200	SK20	2995-0030	673-0001	SP2700-05	SP1002-02
S 30M / H	2620-200	020	3/8" BSP	Foot	•		SK20	2995-0030	673-0001	SP2700-05	SP1002-02
<b>FLAGSHIP – USA</b>											
GM 454	23800-0201	060	Ø 32 Hose	Crank			SK331-0251	3298	22120-0001	SP2701-21	SP8019-01
<b>FNM – ITALY</b>											
AM 20 / 45 / ATM 60	22770	020	Ø 25 Hose	Crank	•	29440-1001	SK346	1985-01	673-0001	SP2701-21	SP1004-09
AM 20 / 45 / ATM 60	29440-1001	020	Ø 25 Hose	Crank			SK402-0001	1985-0000	18653-0001	29441-0000	SP1004-09
1.3ATI	52040-2001	040	3/4" BSP	Foot			SK384-0101	3298	1210-0001	SP2701-1015	X3001-095F
<b>FORD – UK</b>											
XLD 416 Escort	22770-1101	020	Ø 25 Hose	Crank	•	29440-1101	SK346	1985-01	673-0001	SP2701-21	SP1004-09
XLD 416 Escort	29440-1001	020	Ø 25 Hose	Crank			SK402-0001	1985-0000	18653-0001	29441-0000	SP1004-09
FSD 425	52040-2001	040	3/4" BSP	Foot			SK384-0101	3298	1210-0001	SP2701-1015	X3001-095F
FSD 425A Transit	3270-1951	040	3/4" BSP	Flange	•		SK33	3298	1210-0001	SP2701-21	SP1002-02
FSD 425B	29500-1201	040	Ø 28 Hose	Flange			SK384-0001	3298	1210-0001	SP2700-1027	SP1002-02
BSD 333 / 444 / 666	23430-1201	080	Ø 32 Hose	Flange			SK385-0001	890	17937-0001	SP2700-1027	SP1003-0111
2400 YORK	21690	040	Ø 20 Hose	Flange	•		SK239	3298	1210-0001	22617-0010	SP1002-02
2401E	21690	040	Ø 20 Hose	Flange	•		SK239	3298	1210-0001	22617-0010	SP1002-02
2700 Turbo	21140-201	080	1" BSP	Flange	•	21140-2401	SK229	890	17937-0001	22617-0010	SP1003-09
2704 ET	21140-201	080	1" BSP	Flange	•	21140-2401	SK229	890	17937-0001	22617-0010	SP1003-09
2704 ET	21140-2401	080	1" BSP	Flange			SK229	890	17937-0001	22617-0010	SP1003-09
2701 E	10950-205	040	3/4" BSP	Flange	•	10950-2401	SK239	3298	1210-0001	22617-0010	SP1002-02
2704 E	10950-205	040	3/4" BSP	Flange	•	10950-2401	SK239	3298	1210-0001	22617-0010	SP1002-02
2704 E	10950-2401	040	3/4" BSP	Flange			SK239	3298	1210-0001	22617-0010	SP1002-02
2704 ET / A	10950-201	040	1/2" BSP	Flange	•	10950-2401	SK239	3298	1210-0001	22617-0010	SP1002-02
2704 ET / A	10950-2401	040	3/4" BSP	Flange			SK239	3298	1210-0001	22617-0010	SP1002-02
2711 E	10950-205	040	3/4" BSP	Flange	•	10950-2401	SK239	3298	1210-0001	22617-0010	SP1002-02
2712 E	10950-205	040	3/4" BSP	Flange	•	10950-2401	SK239	3298	1210-0001	22617-0010	SP1002-02
2713 E	10950-201	040	1/2" BSP	Flange	•	10950-2401	SK239	3298	1210-0001	22617-0010	SP1002-02
2714 E	10950-201	040	1/2" BSP	Flange	•	10950-2401	SK239	3298	1210-0001	22617-0010	SP1002-02

JABSCO PUMP DETAILS							SERVICE KIT DETAILS				
MODEL NUMBER	MODEL NUMBER * OEM ONLY	SIZE	PORT SIZE	MOUNT TYPE	OBSOLETE	ALTERNATE PUMP NUMBER	NUMBER	END COVER GASKET	IMPELLER	WATER SEAL	END COVER SCREWS
2714 E	10950-2401	040	3/4" BSP	Flange			SK239	3298	1210-0001	22617-0010	SP1002-02
2722	10950-2601	040	3/4" BSP	Flange			SK239	3298	1210-0001	22617-0010	SP1002-02
2723 / 25 / 26T	21140-2601	080	1" BSP	Flange			SK229	890	17937-0001	22617-0010	SP1003-09
GENESIS 4-cyl.	29520-2001	040	3/4" BSP	Flange			SK239	3298	1210-0001	22617-0010	SP1002-02
GENESIS 6-cyl.	29620-2001	080	1" BSP	Flange			SK229	890	17937-0001	22617-0010	SP1003-09
<b>G &amp; M POWER PLANT – UK</b>											
4 MDP	29450-1201	020	Ø 20 Hose	Flange			SK387-0001	2995-0030	673-0001	SP2700-05	SP1002-01
BLMC 4 / 98	3270-241	040	3/4" BSP	Flange	•		SK271	3298	1210-0001	SP2701-21	SP1002-02
<b>GARDNER – UK</b>											
4 LW (Oil Cooler)	9710-200	080	1" BSP	Foot			SK229	890	17937-0001	22617-0010	SP1003-09
<b>Tropical Service Only</b>											
4 LW	6400-205	200	1-1/4" BSP	Foot	•	52200-2051	SK230	816	836-0001	21849	SP1005-04
4 LW	52200-2051	200	1-1/2" BSP	Foot			SK407-0011	816	17935-0001	21849	X3001-176F
6 LXB	29600-1001	080	Ø 32 Hose	Flange		New Pipework	SK385-0101	890	17937-0001	SP6080-0469	SP1003-0111
<b>HAMWORTHY</b>											
2SF3, 3-4, 3-6	3370-200	040	3/4" BSP	Flange	•	9970-200	SK33	3298	1210-0001	SP2701-21	SP1002-02
2SF3, 3-4, 3-6	9970-200	040	3/4" BSP	Flange			SK229	3298	1210-0001	22617-0010	SP1002-02
2TF5	4800-111	200	1-1/2" Flanged	Flange	•	11790	SK230	816	836-0001	21849	SP1005-04
2TF5 Mk II and III	11790	200	1-1/2" Flanged	Flange	•		SK230	816	836-0001	21849	SP1005-04
2TM6 Mk II and III	11790-01	200	1-1/2" Flanged	Flange	•		SK230	816	836-0001	21849	SP1005-04
2MF6	10590-61	270	2" Flanged	Flange	•	10590-62	SK254	816	21676-0001	21849	SP1005-04
2MF62	10590-61	270	2" Flanged	Flange	•	10590-62	SK254	816	21676-0001	21849	SP1005-04
2MF64	10590-61	270	2" Flanged	Flange	•	10590-62	SK254	816	21676-0001	21849	SP1005-04
2MF64	10590-62	270	2" Flanged	Flange			SK254	816	21676-0001	21849	SP1005-04
2SF4, 42	9700-01	080	1" Flanged	Flange			SK238	890	17937-0001	SP6080-06	SP1003-01
<b>HARDIN MARINE – USA</b>											
GM V8	23800-0251	060	Ø 32 Hose	Crank	•	23800-0201	SK331-0251	3298	22120-0001	SP2701-21	SP8019-01
GM V8	23800-0201	060	Ø 32 Hose	Crank			SK331-0251	3298	22120-0001	SP2701-21	SP8019-01

# 11 Flexible Impeller Pumps

COOLING PUMP SPARES BY MAKE OF ENGINE



JABSCO PUMP DETAILS							SERVICE KIT DETAILS				
MODEL NUMBER	MODEL NUMBER * OEM ONLY	SIZE	PORT SIZE	MOUNT TYPE	OBSOLETE	ALTERNATE PUMP NUMBER	NUMBER	END COVER GASKET	IMPELLER	WATER SEAL	END COVER SCREWS
<b>HAWKER SIDDELEY MARINE – UK</b>											
AB 1W	9040-0511	005	1/2" Hose	Flange		now -1021	SK92-11	7828-01	14609-0001	SP3000-10	SP1002-09
AC 1W	6640-205	010	3/8" BSP	Foot	•	52010-2001	SK23	1189	4528-0001	SP2701-11	SP1002-01
AC 2W	6640-205	010	3/8" BSP	Foot	•	52010-2001	SK23	1189	4528-0001	SP2701-11	SP1002-01
AC 2W	52010-2001	010	3/8" NPTF	Foot	•	51510-2001	SK404-0101	29308-0000	22405-0001	SP2701-0501	X3001-095F
PJ W	10420	020	Ø 16 Hose	Flange	•	29490-2001C	SK211	10817	673-0001	SP2701-04	SP1002-09
PJ 3	10420	020	Ø 16 Hose	Flange	•	29490-2001C	SK211	10817	673-0001	SP2701-04	SP1002-09
PJ 4	10420	020	Ø 16 Hose	Flange	•	29490-2001C	SK211	10817	673-0001	SP2701-04	SP1002-09
PJ 4	29490-2001C	020	3/8" BSP	Flange	•		SK405-0001	29476-0000	18653-0001	SP2701-1006	X3004-095G
PM 1W / 2W	5870	020	1/2" BSP	Flange	•		SK243	5878	1210-0001	SP2701-09	SP1002-09
PJ 1W / 2W	5870	020	1/2" BSP	Flange	•		SK243	5878	1210-0001	SP2701-09	SP1002-09
AV / HP-Series	5870	020	1/2" BSP	Flange	•		SK243	5878	1210-0001	SP2701-09	SP1002-09
FR 1 / 2 / 3 MGR	3380-200	040	3/4" BSP	Flange	•	9970-200	SK33	3298	1210-0001	SP2701-21	SP1002-02
FR 4 / 6 MGR	3370-200	040	3/4" BSP	Flange	•	9970-200	SK33	3298	1210-0001	SP2701-21	SP1002-02
FR 4 / 6 MGR	9970-200	040	3/4" BSP	Flange			SK229	3298	1210-0001	22617-0010	SP1002-02
HA / HR / HRW 4 / 6	3370-251	040	3/4" BSP	Flange	•	9970-261	SK33	3298	1210-0001	SP2701-21	SP1002-02
(Direct Cooling)	9970-261	040	3/4" BSP	Flange			SK239	3298	1210-0001	22617-0010	SP1002-02
HA / HW-Series	9970-271	040	3/4" BSP	Flange	•	9970-200	SK239	3298	1210-0001	22617-0010	SP1002-02
(Manifold)	3380-221	040	1/2" BSP	Flange	•	9970-200	SK33	3298	1210-0001	SP2701-21	SP1002-02
HA / HR / HRW 2	3370-200	040	3/4" BSP	Flange	•	9970-200	SK33	3298	1210-0001	SP2701-21	SP1002-02
(2- and 3-cylinder Heat Exchanger)	9970-200	040	3/4" BSP	Flange			SK229	3298	1210-0001	22617-0010	SP1002-02
JA4 / JW4 / JA6 / JW6	10880-07	200	1-1/2" Flanged	Flange	•		SK230	816	836-0001	21849	SP1005-04
JP and JK-Series	6420-205	080	1" BSP	Foot	•	52080-2051	SK236	890	17937-0001	SP2701-21	SP1003-09
	52080-2051	080	1" BSP	Foot			SK406-0001	890	17937-0001	SP2700-48	X3001-147F
SL and SR-Series	AL 1/4"-200	010	1/4" BSP	Foot			SK1	1126	4528-0001	AL22	SP1002-01
SL4	6640-200	010	1/4" BSP	Foot	•	52010-2001	SK23	1189	4528-0001	SP2701-11	SP1002-01
(Manifold)	52010-2001	010	3/8" NPTF	Foot	•	51510-2001	SK404-0101	29308-0000	22405-0001	SP2701-0501	X3001-095F
TS3	6420-2051	080	1" BSP	Foot	•	52080-2051	SK385-0201	2432	17937-0001	SP2700-1027	SP1003-09
TS3	52080-2051	080	1" BSP	Foot			SK406-0001	890	17937-0001	SP2700-48	X3001-147F



JABSCO PUMP DETAILS							SERVICE KIT DETAILS				
MODEL NUMBER	MODEL NUMBER * OEM ONLY	SIZE	PORT SIZE	MOUNT TYPE	OBSOLETE	ALTERNATE PUMP NUMBER	NUMBER	END COVER GASKET	IMPELLER	WATER SEAL	END COVER SCREWS
STW2 MGR	11620-211	010	1/4" BSP	Flange	•		SK23	1189	4528-0001	SP2701-11	SP1002-01
STW3 MGR	6520-2003	080	1" BSP	Foot	•	51080-2003	SK385-0403	890	17937-0003	SP2700-1027	SP1003-09
STW3 MGR	51080-2003	080	1" BSP	Foot	•		SK406-0003	890	17937-0003	SP2700-1027	X3001-147F
HRW4	9970-271	040	3/4" BSP	Flange	•	9970-200	SK239	3298	1210-0001	22617-0010	SP1002-02
HRW4	9970-200	040	3/4" BSP	Flange			SK229	3298	1210-0001	22617-0010	SP1002-02
HSM D3, 152M	29500-1101	040	Ø 28 Hose	Flange	•		SK384-0001	3298	1210-0001	SP2700-1027	SP1002-02
Piranha 4-cyl.	6490-132	040	1/2" BSP	Foot	•		SK225-01	6496	1210-0001	SP2701-21	SP1003-09
<b>ALPHA Series</b>											
LPW2	29480-2151	020	3/8" BSP	Flange	•		SK405-0001	29476-0000	18653-0001	SP2701-1006	X3004-095G
LPW3	29480-2131	020	3/8" BSP	Flange	•		SK405-0001	29476-0000	18653-0001	SP2701-1006	X3004-095G
LPW4	29500-1451	040	Ø 28 Hose	Flange	•		SK384-0001	3298	1210-0001	SP2700-1027	SP1002-02
CRK3	23430-1201	080	Ø 32 Hose	Flange			SK385-0001	890	17937-0001	SP2700-1027	SP1003-0111
<b>Ford Dover</b>											
CS4	21140-2601	080	1" BSP	Flange			SK229	890	17937-0001	22617-0010	SP1003-09
CS6	21140-2601	080	1" BSP	Flange			SK229	890	17937-0001	22617-0010	SP1003-09
CST6	21140-2601	080	1" BSP	Flange			SK229	890	17937-0001	22617-0010	SP1003-09
CST16	21140-2601	080	1" BSP	Flange			SK229	890	17937-0001	22617-0010	SP1003-09
<b>HFL – UK</b>											
1500 VW	22620	020	Ø 25 Hose	Crank	•	29440-1101	SK346	1985-01	673-0001	SP6080-08B	SP1004-09
1501 VW	29440-1101	020	Ø 25 Hose	Crank			SK402-0001	1985-0000	18653-0001	29441-0000	SP1004-09
PETTER	52010-2001	010	3/8" NPTF	Foot	•	51510-2001	SK404-0101	29308-0000	22405-0001	SP2701-0501	X3001-095F
<b>INDMAR – USA</b>											
Ford / GM 8-cyl.	23800-0251	060	Ø 32 Hose	Crank	•	23800-0201	SK331-0251	3298	22120-0001	SP2701-21	SP8019-01
	23800-0201	060	Ø 32 Hose	Crank			SK331-0251	3298	22120-0001	SP2701-21	SP8019-01
<b>ISOTTA FRASCHINI – ITALY</b>											
D 30.55-6L	10950-201	040	1/2" BSP	Flange	•	10950-2401	SK239	3298	1210-0001	22617-0010	SP1002-02
D 30.55-6L	10950-2401	040	3/4" BSP	Flange			SK239	3298	1210-0001	22617-0010	SP1002-02
ID 32	10630-07	200	1-1/2" Flanged	Foot	•	52220-0011	SK230	816	836-0001	21849	SP1005-04
ID 32	52220-0011	200	1-1/2" Flanged	Foot			SK407-0011	816	17935-0001		X3001-176F

# 11 Flexible Impeller Pumps

COOLING PUMP SPARES BY MAKE OF ENGINE



JABSCO PUMP DETAILS							SERVICE KIT DETAILS				
MODEL NUMBER	MODEL NUMBER * OEM ONLY	SIZE	PORT SIZE	MOUNT TYPE	OBSOLETE	ALTERNATE PUMP NUMBER	NUMBER	END COVER GASKET	IMPELLER	WATER SEAL	END COVER SCREWS
ID 36 / 38	11150-0011	200	2" Flanged	Foot	•		SK254	816	21676-0001	21849	SP1005-04
H 130	11150-0011	200	2" Flanged	Foot	•		SK254	816	21676-0001	21849	SP1005-04
L 1306 T2	10590-0201	270	2" Flanged	Flange	•		SK254	816	21676-0001	21849	SP1005-04
V 1308 T2	10490-07	270	2" Flanged	Foot	•	50270-0911	SK254	816	21676-0001	21849	SP1005-04
V 1308 T2	50270-0911	270	2" Flanged	Foot	•		SK408-0011	816	17936-0001	21849	SP1095-0640

## KELVIN – UK

### DB Series

	6400-207	200	1-1/4" BSP	Foot	•	52200-2001	SK230	816	836-0001	SP6080-0374	SP1005-04
	52200-2001	200	1-1/2" BSP	Foot	•	52200-2011	SK407-0011	816	17935-0001	SP6080-0374	X3001-176F
	52200-2011	200	1-1/2" BSP	Foot			SK407-0011	816	17935-0001	SP6080-0374	X3001-176F
	4800-51	200	1-1/2" Flanged	Flange	•		SK230	816	836-0001	21849	SP1005-04
	6590-237	200	1-1/4" BSP	Foot	•	51200-2003	SK230-37	816	836-0003	SP6080-0374	SP1005-04
	51200-2003	200	1-1/2" BSP	Foot	•	Bilge Option	SK407-0003	816	836-0003	SP6080-0374	X3001-176F
	6520-2003	080	1" BSP	Foot	•	51080-2003	SK385-0403	890	17937-0003	SP2700-1027	SP1003-09
	51080-2003	080	1" BSP	Foot	•		SK406-0003	890	17937-0003	SP2700-1027	X3001-147F

## KTT

KUBOTA KTT 2000	3270-2401	040	3/4" BSP	Flange	•		SK271	3298	1210-0001	SP2701-21	SP1002-02
KUBOTA KTT 3000	3270-2401	040	3/4" BSP	Flange	•		SK271	3298	1210-0001	SP2701-21	SP1002-02

## KUBOTA

BZ482	29460-1401	020	Ø 20 Hose	Flange	•	29460-1631	SK401-0001	2995-0030	18653-0001	SP2701-1006	SP1002-01
BD722	29460-1401	020	Ø 20 Hose	Flange	•	29460-1631	SK401-0001	2995-0030	18653-0001	SP2701-1006	SP1002-01
BD1005	29460-1401	020	Ø 20 Hose	Flange	•	29460-1631	SK401-0001	2995-0030	18653-0001	SP2701-1006	SP1002-01
BV1305	29460-1401	020	Ø 20 Hose	Flange	•	29460-1631	SK401-0001	2995-0030	18653-0001	SP2701-1006	SP1002-01
BV1505	29460-1401	020	Ø 20 Hose	Flange	•	29460-1631	SK401-0001	2995-0030	18653-0001	SP2701-1006	SP1002-01
BV1903	29460-1401	020	Ø 20 Hose	Flange	•	29460-1631	SK401-0001	2995-0030	18653-0001	SP2701-1006	SP1002-01
BV2203	29460-1401	020	Ø 20 Hose	Flange	•	29460-1631	SK401-0001	2995-0030	18653-0001	SP2701-1006	SP1002-01
BF2803	29460-1401	020	Ø 20 Hose	Flange	•	29460-1631	SK401-0001	2995-0030	18653-0001	SP2701-1006	SP1002-01
KTT 2000	3270-2401	040	3/4" BSP	Flange	•		SK271	3298	1210-0001	SP2701-21	SP1002-02
KTT 3000	3270-2401	040	3/4" BSP	Flange	•		SK271	3298	1210-0001	SP2701-21	SP1002-02

JABSCO PUMP DETAILS							SERVICE KIT DETAILS				
MODEL NUMBER	MODEL NUMBER * OEM ONLY	SIZE	PORT SIZE	MOUNT TYPE	OBSOLETE	ALTERNATE PUMP NUMBER	NUMBER	END COVER GASKET	IMPELLER	WATER SEAL	END COVER SCREWS
<b>LANCING MARINE – UK</b>											
BMC 1.5+1.8	22960-2001	010	Ø 19 Hose	Foot	•		SK355	21646	4528-0001	SP2701-14	SP1002-09
BMC 2.2+2.5	3270-241	040	3/4" BSP	Flange	•		SK271	3298	1210-0001	SP2701-21	SP1002-02
BMC 3.4+3.8 (4/98) 5.1	29500-1001	040	Ø 28 Hose	Flange			SK384-0001	3298	1210-0001	SP2700-1027	SP1002-02
BMC 5.7 + 6/98	22770	020	Ø 25 Hose	Crank	•	29440-1001	SK346	1985-01	673-0001	SP2701-21	SP1004-09
BMC 5.7 + 6/98	29440-1001	020	Ø 25 Hose	Crank			SK402-0001	1985-0000	18653-0001	29441-0000	SP1004-09
Chev V8	22740-0151	060	Ø 32 Hose	Crank	•		SK331-05	3298	22120-0001	SP2701-21	SP8019-01
<b>Ford</b>											
2700 / 2710 / 2720	10950-201	040	1/2" BSP	Flange	•	10950-2401	SK239	3298	1210-0001	22626-6000	SP1002-02
2700 / 2710 / 2720	10950-2401	040	3/4" BSP	Flange			SK239	3298	1210-0001	22626-6000	SP1002-02
Turbo 4 PC / 6 / Int.	21140-201	080	1" BSP	Flange	•	21140-2401	SK229	890	17937-0001	22626-6000	SP1003-09
Turbo 4 PC / 6 / Int.	21140-2401	080	1" BSP	Flange			SK229	890	17937-0001	22626-6000	SP1003-09
1.1 / 1.6 / 2.0 / OHC / V4	22960-2001	010	Ø 19 Hose	Foot	•		SK355	21646	4528-0001	SP2701-14	SP1002-09
V6 2.3 / 2.8 / 2.5 / 3.0	22770	020	Ø 25 Hose	Crank	•	29440-1001	SK346	1985-01	673-0001	SP2701-21	SP1004-09
V6 2.3 / 2.8 / 2.5 / 3.0	29440-1001	020	Ø 25 Hose	Crank			SK402-0001	1985-0000	18653-0001	29441-0000	SP1004-09
590E / 592E	21820-2001	040	3/4" BSP	Foot	•	52040-2001	SK33	3298	1210-0001	SP2701-21	SP1002-02
(4-cylinder)	52040-2001	040	3/4" BSP	Foot			SK384-0101	3298	1210-0001	SP2701-1015	X3001-095F
<b>Ford Genesis</b>											
4-cyl.	29520-2001	040	3/4" BSP	Flange			SK239	3298	1210-0001	22626-6000	SP1002-02
6-cyl.	29620-2001	080	1" BSP	Flange			SK229	890	17937-0001	22626-6000	SP1003-09
<b>Gardner</b>											
6LX + 6LXB + 8LXB	6420-2001	080	1" BSP	Foot	•	52080-2001	SK385-0201	890	17937-0001	SP2700-1027	SP1003-09
6LX + 6LXB + 8LXB	52080-2001	080	1" BSP	Foot			SK406-0001	890	17937-0001	SP2700-48	X3001-147F
<b>GM / Bedford</b>											
220 + 330	22770	020	Ø 25 Hose	Crank	•	29440-1001	SK346	1985-01	673-0001	SP2701-21	SP1004-09
220 + 330	29440-1001	020	Ø 25 Hose	Crank			SK402-0001	1985-0000	18653-0001	29441-0000	SP1004-09
381 + 466 + 500	22740-0151	060	Ø 32 Hose	Crank	•		SK331-05	3298	22120-0001	SP2701-21	SP8019-01
<b>Jaguar</b>											
2.4 + 4.2	29500-1001	040	Ø 28 Hose	Flange			SK384-0001	3298	1210-0001	SP2700-1027	SP1002-02

# 11 Flexible Impeller Pumps

COOLING PUMP SPARES BY MAKE OF ENGINE



JABSCO PUMP DETAILS							SERVICE KIT DETAILS				
MODEL NUMBER	MODEL NUMBER * OEM ONLY	SIZE	PORT SIZE	MOUNT TYPE	OBSOLETE	ALTERNATE PUMP NUMBER	NUMBER	END COVER GASKET	IMPELLER	WATER SEAL	END COVER SCREWS
<b>Leyland</b>											
400 + 401 + 402	23080-1151	060	Ø 32 Hose	Flange	•		SK363-0051	3298	22120-0001	22626-6000	SP1002-01
<b>Mercedes</b>											
180 + 190 + 200 + 220	22960-2001	010	Ø 19 Hose	Foot	•		SK355	21646	4528-0001	SP2701-14	SP1002-09
OM314 + 321 + 352	22770	020	Ø 25 Hose	Crank	•	29440-1001	SK346	1985-01	673-0001	SP2701-21	SP1004-09
OM314 + 321 + 352	29440-1001	020	Ø 25 Hose	Crank			SK402-0001	1985-0000	18653-0001	29441-0000	SP1004-09
<b>Perkins</b>											
3.152	22960-2001	010	Ø 19 Hose	Foot	•		SK355	21646	4528-0001	SP2701-14	SP1002-09
4.203	29500-1001	040	Ø 28 Hose	Flange			SK384-0001	3298	1210-0001	SP2700-1027	SP1002-02
4.236	10970	040	3/4" BSP	Flange			SK268-01	3298	1210-0001	22626-6000	SP1002-02
4.248	22770	020	Ø 25 Hose	Crank	•	29440-1001	SK346	1985-01	673-0001	SP2701-21	SP1004-09
4.248	29440-1001	020	Ø 25 Hose	Crank			SK402-0001	1985-0000	18653-0001	29441-0000	SP1004-09
6.354	21820-2001	040	3/4" BSP	Foot	•	52040-2001	SK33	3298	1210-0001	SP2701-21	SP1002-02
6.354	52040-2001	040	3/4" BSP	Foot			SK384-0101	3298	1210-0001	SP2701-1015	X3001-095F
T6 354	6420-2001	080	1" BSP	Foot	•	52080-2001	SK385-0201	890	17937-0001	SP2700-1027	SP1003-09
T6 354	52080-2001	080	1" BSP	Foot			SK406-0001	890	17937-0001	SP2700-48	X3001-147F
510 V8	11120-200	080	1" BSP	Flange	•		SK229	890	17937-0001	22626-6000	SP1003-09
4.99 + 4.107 + 4.108	22960-2001	010	Ø 19 Hose	Foot	•		SK355	21646	4528-0001	SP2701-14	SP1002-09
<b>Peugeot</b>											
XD2 1.9 & 2.5	22770	020	Ø 25 Hose	Crank	•	29440-1001	SK346	1985-01	673-0001	SP2701-21	SP1004-09
XD2 1.9 & 2.5	29440-1001	020	Ø 25 Hose	Crank			SK402-0001	1985-0000	18653-0001	29441-0000	SP1004-09
<b>Volvo</b>											
TD70 + TD70E	11120-200	080	1" BSP	Flange	•		SK229	890	17937-0001	22626-6000	SP1003-09
<b>VW Golf</b>											
1500 + 1600	22960-2001	010	Ø 19 Hose	Foot	•		SK355	21646	4528-0001	SP2701-14	SP1002-09
<b>LEHMAN POWER LTD – UK</b>											
4D220	6420-0101	080	1" NPT	Foot	•	52220-0011	SK236	890	17937-0001	SP2701-21	SP1003-09
4D220	52220-0011	200	1-1/2" Flanged	Foot			SK407-0011	816	17935-0001	SP6080-0374	X3001-176F
6D380	5850-0001	040	3/4" NPT	Flange			SK33	3298	1210-0001	SP2701-21	SP1002-02
Mercraft 24 / 57	21690-200	040	3/4" BSP	Flange	•		SK239	3298	1210-0001	22626-6000	SP1002-02
Mercraft 24 / 87	21690-200	040	3/4" BSP	Flange	•		SK239	3298	1210-0001	22626-6000	SP1002-02

JABSCO PUMP DETAILS							SERVICE KIT DETAILS				
MODEL NUMBER	MODEL NUMBER * OEM ONLY	SIZE	PORT SIZE	MOUNT TYPE	OBSOLETE	ALTERNATE PUMP NUMBER	NUMBER	END COVER GASKET	IMPELLER	WATER SEAL	END COVER SCREWS
Mercraft 80	10950-204	040	3/4" BSP	Flange	•	10950-2401	SK239	3298	1210-0001	22626-6000	SP1002-02
Mercraft 120	10950-204	040	3/4" BSP	Flange	•	10950-2401	SK239	3298	1210-0001	22626-6000	SP1002-02
Mercraft 120	10950-2401	040	3/4" BSP	Flange			SK239	3298	1210-0001	22626-6000	SP1002-02
Mercraft 150 Turbo	3370-200	040	3/4" BSP	Flange	•	9970-200	SK33	3298	1210-0001	SP2701-21	SP1002-02
Mercraft 150 Turbo	9970-200	040	3/4" BSP	Flange			SK229	3298	1210-0001	22626-6000	SP1002-02
Mercraft 180 Turbo	21140-200	080	1" BSP	Flange	•	21140-2401	SK229	890	17937-0001	22626-6000	SP1003-09
Mercraft 180 Turbo	21140-2401	080	1" BSP	Flange			SK229	890	17937-0001	22626-6000	SP1003-09
Mercraft 210 Turbo	21580-200	080	1" BSP	Flange	•		SK229	890	17937-0001	22626-6000	SP1003-09
Mercraft 250 Turbo	21580-200	080	1" BSP	Flange	•		SK229	890	17937-0001	22626-6000	SP1003-09
Mercraft 150 Turbo Inc.	10950-204	040	3/4" BSP	Flange	•	10950-2401	SK239	3298	1210-0001	22626-6000	SP1002-02
Mercraft 150 Turbo Inc.	21140-2401	080	1" BSP	Flange			SK229	890	17937-0001	22626-6000	SP1003-09
Mercraft 180 Turbo Inc.	21140-204	080	1" BSP	Flange	•	21140-2401	SK229	890	17937-0001	22626-6000	SP1003-09
Mercraft 180 Turbo Inc.	21140-2401	080	1" BSP	Flange			SK229	890	17937-0001	22626-6000	SP1003-09
Ford Dover	10950-2601	040	3/4" BSP	Flange			SK239	3298	1210-0001	22626-6000	SP1002-02
Ford Dover	21140-2601	080	1" BSP	Flange			SK229	890	17937-0001	22626-6000	SP1003-09
Super 355	29700-1201	120	Ø 45 Hose	Flange			SK386-0001	890	17018-0001	SP6080-0469	SP1003-0111
<b>LEYLAND THORNYCROFT – UK</b>											
RF LD-220	4900-201	040	1/2" BSP	Foot	•		SK234	4908	4568-0001	3791	SP1003-09
RF 6-330	JD 3/4"-201	040	3/4" BSP	Foot	•	JD 3/4"-200	SK220	706-01	4598-0001	3791	SP1003-02
RF 6-330	JD 3/4"-200	040	3/4" BSP	Foot			SK220	706-01	4598-0001	C20	SP1003-02
90 / 90E / 90 / 2 / 108 / 2	4900-200	040	1/2" BSP	Foot	•		SK234	4908	4568-0001	3791	SP1003-09
90 / 90E / 90 / 2 / 108 / 2	52040-2401	040	3/4" BSP	Foot			SK384-0101	3298	1210-0001	SP2701-1015	X3001-095F
138 / 152 / 154 / 160	3270-271	040	3/4" BSP	Flange	•		SK271	3298	1210-0001	SP2701-21	SP1002-02
230	9700-151	080	1" Flanged	Flange	•		SK238-01	3101	17937-0001	SP6080-06	SP1003-01
238 / T 238	23430-1301	080	Ø 32 Hose	Flange			SK385-0001	890	17937-0001	SP2700-1027	SP1003-0111
240 / 250 / 251	10950-204	040	3/4" BSP	Flange	•	10950-2401	SK239	3298	1210-0001	22626-6000	SP1002-02
240 / 250 / 251	10950-2401	040	3/4" BSP	Flange			SK239	3298	1210-0001	22626-6000	SP1002-02

# 11 Flexible Impeller Pumps

COOLING PUMP SPARES BY MAKE OF ENGINE



JABSCO PUMP DETAILS							SERVICE KIT DETAILS				
MODEL NUMBER	MODEL NUMBER * OEM ONLY	SIZE	PORT SIZE	MOUNT TYPE	OBSOLETE	ALTERNATE PUMP NUMBER	NUMBER	END COVER GASKET	IMPELLER	WATER SEAL	END COVER SCREWS
331	10950-200	040	3/4" BSP	Flange	•	10950-2401	SK239	3298	1210-0001	22626-6000	SP1002-02
331	10950-2401	040	3/4" BSP	Flange			SK239	3298	1210-0001	22626-6000	SP1002-02
345	9700-171	080	1" Flanged	Flange	•		SK238	890	17937-0001	SP6080-06	SP1003-01
358 / T358 / TA358	23430-1301	080	Ø 32 Hose	Flange			SK385-0001	890	17937-0001	SP2700-1027	SP1003-0111
360	10950-200	040	3/4" BSP	Flange	•	10950-2401	SK239	3298	1210-0001	22626-6000	SP1002-02
360	10950-2401	040	3/4" BSP	Flange			SK239	3298	1210-0001	22626-6000	SP1002-02
360.1 / T360.1 / 380 / 1	21140-204	080	1" BSP	Flange	•	21140-2401	SK229	890	17937-0001	22626-6000	SP1003-09
360.1 / T360.1 / 380 / 1	10950-2401	040	3/4" BSP	Flange			SK239	3298	1210-0001	22626-6000	SP1002-02
400 / T400 / 500	9700-01	080	1" Flanged	Flange			SK238	890	17937-0001	SP6080-06	SP1003-01
T500	4800-51	200	1-1/2" Flanged	Flange	•		SK230	816	836-0001	21849	SP1005-04
590 / 690 / 691 / 760	6400-205	200	1-1/4" BSP	Foot	•	52200-2051	SK230	816	836-0001	SP6080-0374	SP1005-04
590 / 690 / 691 / 760	52200-2051	200	1-1/2" BSP	Foot			SK407-0011	816	17935-0001	SP6080-0374	X3001-176F
760 / AVT 1100	6400-207	200	1-1/4" BSP	Foot	•	52200-2001	SK230	816	836-0001	SP6080-0374	SP1005-04
760 / AVT 1100	52200-2001	200	1-1/2" BSP	Foot	•	52200-2011	SK407-0011	816	17935-0001	SP6080-0374	X3001-176F
760 / AVT 1100	52200-2011	200	1-1/2" BSP	Foot			SK407-0011	816	17935-0001	SP6080-0374	X3001-176F

## LISTER, R.A. – See HAWKER SIDDELEY MARINE

--	--	--	--	--	--	--	--	--	--	--	--

## LOMBARDINI – ITALY

672 / 673 / 674	11620-200	010	1/4" BSP	Flange	•	22830-2101	SK23	1189	4528-0001	SP2701-11	SP1002-01
832 / 833 / 834	11620-200	010	1/4" BSP	Flange	•	22830-2101	SK23	1189	4528-0001	SP2701-11	SP1002-01
832 / 833 / 834	22830-2101	010	3/8" BSP	Flange	•		SK23	1189	4528-0001	SP2701-14	SP1002-01
LDW 602M / LDW 903M	29470-2231	020	3/8" BSP	Flange	•		SK405-0001	29476-0000	18653-0001	SP2701-1006	X3004-095G
LDW 1204M	29470-2531	020	3/8" BSP	Flange	•		SK405-0001	29476-0000	18653-0001	SP2701-1006	X3004-095G
LDW 1503	29470-2431	020	3/8" BSP	Flange	•		SK405-0001	29476-0000	18653-0001	SP2701-1006	X3004-095G
LDW 2004M / T	29470-2431	020	3/8" BSP	Flange	•		SK405-0001	29476-0000	18653-0001	SP2701-1006	X3004-095G

## MAN – GERMANY

D0224ME	23020-1101	060	Ø 32 Hose	Crank			SK331-05	3298	22120-0001	SP6080-08B	SP8019-01
D0226ME	23020-1101	060	Ø 32 Hose	Crank			SK331-05	3298	22120-0001	SP6080-08B	SP8019-01
D0226MLE	23060-1101	060	Ø 32 Hose	Crank	•	Dual Pump	SK360	3298	22120-0001	SP6080-08B	SP1002-03
D0226MTE	23060-1101	060	Ø 32 Hose	Crank	•	Dual Pump	SK360	3298	22120-0001	SP6080-08B	SP1002-03

JABSCO PUMP DETAILS							SERVICE KIT DETAILS				
MODEL NUMBER	MODEL NUMBER * OEM ONLY	SIZE	PORT SIZE	MOUNT TYPE	OBSOLETE	ALTERNATE PUMP NUMBER	NUMBER	END COVER GASKET	IMPELLER	WATER SEAL	END COVER SCREWS
D0826GLE40 / ML	29600-1201	080	Ø 32 Hose	Flange			SK385-0101	890	17937-0001	SP6080-0469	SP1003-0111
D2530M / MT	22040-0501	270	2" Flanged	Flange			SK318	816	21676-0001	21849	SP1005-04
D2540L / ML / MT	22040-0501	270	2" Flanged	Flange			SK318	816	21676-0001	21849	SP1005-04
D2542L / ME / MLE / MTE	23010-0531	080	1" BSP	Flange	•	Bilge	SK357-0001	11746	17937-0001	21849	SP1005-03
	Dual Pump	270	2" Flange	Flange		Cooling	SK357-0001	816	21676-0001	21849	SP1005-03
W4V 14 / 18	5400-205	200	1-1/4" BSP	Foot	•	52200-2051					
W6V 14 / 18	5400-205	200	1-1/4" BSP	Foot	•	52200-2051					
W3V 17.5 / 22A	5400-205	200	1-1/4" BSP	Foot	•	52200-2051					
W3V 17.5 / 22A	52200-2051	200	1-1/2" BSP	Foot			SK407-0011	816	17935-0001	SP6080-0374	X3001-176F
W4V 17.5 / 22A	7870-251	200	1-1/4" BSP	Foot	•		SK230	816	836-0001	21849	SP1005-04
W5V 17.5 / 22A	7870-251	200	1-1/4" BSP	Foot	•		SK230	816	836-0001	21849	SP1005-04
W6V 17.5 / 22A	7870-251	200	1-1/4" BSP	Foot	•		SK230	816	836-0001	21849	SP1005-04
W8V 17.5 / 22A	7870-251	200	1-1/4" BSP	Foot	•		SK230	816	836-0001	21849	SP1005-04
<b>MERMAID MARINE – UK</b>											
105 / 130	21140-204	080	1" BSP	Flange	•	21140-2401	SK229	890	17937-0001	22626-6000	SP1003-09
397 / 595 / ET / .INT	21140-204	080	1" BSP	Flange	•	21140-2401	SK229	890	17937-0001	22626-6000	SP1003-09
397 / 595 / ET / .INT	21140-2401	080	1" BSP	Flange			SK229	890	17937-0001	22626-6000	SP1003-09
595TP	21580-200	080	1" BSP	Flange	•		SK229	890	17937-0001	22626-6000	SP1003-09
Ford 2704 ET	21580-200	080	1" BSP	Flange	•		SK229	890	17937-0001	22626-6000	SP1003-09
Flat Four / Six	21140-204	080	1" BSP	Flange	•	21140-2401	SK229	890	17937-0001	22626-6000	SP1003-09
Turbo Four	21140-204	080	1" BSP	Flange	•	21140-2401	SK229	890	17937-0001	22626-6000	SP1003-09
Turbo Four	21140-2401	080	1" BSP	Flange			SK229	890	17937-0001	22626-6000	SP1003-09
Turbo Plus	21140-2641	080	1" BSP	Flange	•		SK229	890	17937-0001	22626-6000	SP1003-09
Mariner 2715E	21140-2441	080	1" BSP	Flange	•		SK229	890	17937-0001	22626-6000	SP1003-09
Mariner 2720E	21140-2641	080	1" BSP	Flange	•		SK229	890	17937-0001	22626-6000	SP1003-09
Magnum	29700-1201	120	Ø 45 Hose	Flange			SK386-0001	890	17018-0001	SP6080-0469	SP1003-0111
Majestic	21140-2641	080	1" BSP	Flange	•		SK229	890	17937-0001	22626-6000	SP1003-09

# 11 Flexible Impeller Pumps

COOLING PUMP SPARES BY MAKE OF ENGINE



JABSCO PUMP DETAILS							SERVICE KIT DETAILS				
MODEL NUMBER	MODEL NUMBER * OEM ONLY	SIZE	PORT SIZE	MOUNT TYPE	OBSOLETE	ALTERNATE PUMP NUMBER	NUMBER	END COVER GASKET	IMPELLER	WATER SEAL	END COVER SCREWS
Manta	23430-1201	080	Ø 32 Hose	Flange			SK385-0001	890	17937-0001	SP2700-1027	SP1003-0111
Meermin	52040-2001	040	3/4" BSP	Foot			SK384-0101	3298	1210-0001	SP2701-1015	X3001-095F
Melody	21140-2641	080	1" BSP	Flange	•		SK229	890	17937-0001	22626-6000	SP1003-09
Merlin FSD	52040-2001	040	3/4" BSP	Foot			SK384-0101	3298	1210-0001	SP2701-1015	X3001-095F
Merlin FSD	29500-1201	040	Ø 28 Hose	Flange			SK384-0001	3298	1210-0001	SP2700-1027	SP1002-02
Merlin Turbo	22750-1101	060	Ø 32 Hose	Crank	•		SK331-05	3298	22120-0001	SP2701-21	SP8019-01
Meteor XLD	22770-1101	020	Ø 25 Hose	Crank	•	29440-1101	SK346	1985-01	673-0001	SP2701-21	SP1004-09
Meteorite	22770-1101	020	Ø 25 Hose	Crank	•	29440-1101	SK346	1985-01	673-0001	SP2701-21	SP1004-09
Meteorite	29440-1101	020	Ø 25 Hose	Crank			SK402-0001	1985-0000	18653-0001	29441-0000	SP1004-09
Minuet	52040-2001	040	3/4" BSP	Foot			SK384-0101	3298	1210-0001	SP2701-1015	X3001-095F
Mistral	21140-2641	080	1" BSP	Flange	•		SK229	890	17937-0001	22626-6000	SP1003-09
Monarch	21140-2641	080	1" BSP	Flange	•		SK229	890	17937-0001	22626-6000	SP1003-09

## MITSUBISHI

K 2AS	52010-2001	010	3/8" NPTF	Foot	•	51510-2001	SK404-0101	29308-0000	22405-0001	SP2701-0501	X3001-095F
K 2C	29470-2351	020	3/8" BSP	Flange	•	29470-2351C	SK405-0001	29476-0000	18653-0001	SP2701-1006	X3004-095G
K 3M	29470-2331	020	3/8" BSP	Flange	•	29470-2331C	SK405-0001	29476-0000	18653-0001	SP2701-1006	X3004-095G
K 3E / 4E	29470-2351	020	3/8" BSP	Flange	•	29470-2351C	SK405-0001	29476-0000	18653-0001	SP2701-1006	X3004-095G
S 4E2	23430-1041	080	Ø 32 Hose	Flange	•		SK385-0001	890	17937-0001	SP2700-1027	SP1003-0111
S 6E2	23430-1041	080	Ø 32 Hose	Flange	•		SK385-0001	890	17937-0001	SP2700-1027	SP1003-0111
S 6E2	23430-1001	080	Ø 32 Hose	Flange			SK385-0001	890	17937-0001	SP2700-1027	SP1003-0111
4 DQ50	23430-1051	080	Ø 32 Hose	Flange	•		SK385-0001	890	17937-0001	SP2700-1027	SP1003-0111
4 DQ50	23430-1041	080	Ø 32 Hose	Flange	•		SK385-0001	890	17937-0001	SP2700-1027	SP1003-0111
K & L Series, 2-, 3-, 4-cylinder	29400-1101				•						

## MWM – GERMANY

KD 1105 Z	9970-241-37	040	3/4" BSP	Flange			SK239-37	3298	1210-0003	22626-6000	SP1002-02
KD 1105 D	9970-241-37	040	3/4" BSP	Flange			SK239-37	3298	1210-0003	22626-6000	SP1002-02
KD 1105 V	9970-241-37	040	3/4" BSP	Flange			SK239-37	3298	1210-0003	22626-6000	SP1002-02
KD 1105 S	9970-241-37	040	3/4" BSP	Flange			SK239-37	3298	1210-0003	22626-6000	SP1002-02
D 208	9970-241-37	040	3/4" BSP	Flange			SK239-37	3298	1210-0003	22626-6000	SP1002-02
TKD 1105 V & S	9970-251	040	3/4" BSP	Flange	•	9970-241	SK239	3298	1210-0001	22626-6000	SP1002-02



JABSCO PUMP DETAILS							SERVICE KIT DETAILS				
MODEL NUMBER	MODEL NUMBER * OEM ONLY	SIZE	PORT SIZE	MOUNT TYPE	OBSOLETE	ALTERNATE PUMP NUMBER	NUMBER	END COVER GASKET	IMPELLER	WATER SEAL	END COVER SCREWS
KD 1105	9970-251	040	3/4" BSP	Flange	•	9970-241	SK239	3298	1210-0001	22626-6000	SP1002-02
TD 208-4 & 6	9970-251	040	3/4" BSP	Flange	•	9970-241	SK239	3298	1210-0001	22626-6000	SP1002-02
D 2086	9970-251	040	3/4" BSP	Flange	•	9970-241	SK239	3298	1210-0001	22626-6000	SP1002-02
D 2086	9970-241	040	3/4" BSP	Flange		Direct Cooling	SK241	3298	1210-0001	22626-6000	SP1002-02
D 225 4 & 6	9970-241-37	040	3/4" BSP	Flange			SK239-37	3298	1210-0003	22626-6000	SP1002-02
D226-2 -3 -4 & 6	9970-241	040	3/4" BSP	Flange		Direct Cooling	SK241	3298	1210-0001	22626-6000	SP1002-02
TD 226-6	9970-241	040	3/4" BSP	Flange		Direct Cooling	SK241	3298	1210-0001	22626-6000	SP1002-02
TD 228-6	9970-241	040	3/4" BSP	Flange		Direct Cooling	SK241	3298	1210-0001	22626-6000	SP1002-02
TD 226-6	22220-241	060	1" BSP	Flange			SK334	3298	22120-0001	22626-6000	SP1002-01
TD 228-6	22220-241	060	1" BSP	Flange			SK334	3298	22120-0001	22626-6000	SP1002-01
D202-283	22830-2051	010	3/8" BSP	Flange	•		SK23	1189	4528-0001	SP2701-14	SP1002-01
234B	29880-0001	370	2-3/4" Flanged	Flange		Respecified	SK410	X4020-424A	17240-0001	21849	X3001-180F
D889 / 90 / 91 / 92 / 93	22820-2051	040	3/8" BSP	Flange	•		SK23	1189	4528-0001	SP2701-14	SP1002-01
<b>NANNI DIESEL – FRANCE / HOLLAND</b>											
FK2 / 2.40 HE	29300-2001	010	3/8" BSP	Flange	•		SK404-0001	29308-0000	22405-0001	SP2701-1006	X3004-095G
FK3 / 2.60 HE / 3.90 HE	29470-2031	020	3/8" BSP	Flange	•		SK405-0001	29476-0000	18653-0001	SP2701-1006	X3004-095G
K.L.A	29300-2301	010	3/8" BSP	Flange	•		SK404-0001	29308-0000	22405-0001	SP2701-1006	X3004-095G
L30	52010-2001	010	3/8" NPTF	Foot	•	51510-2001	SK404-0101	29308-0000	22405-0001	SP2701-0501	X3001-095F
P 30 / R 30 / S 30	29470-2031	020	3/8" BSP	Flange	•		SK405-0001	29476-0000	18653-0001	SP2701-1006	X3004-095G
P 30 / R 30 / S 30	52020-2031	020	1/2" BSP	Foot			SK405-0101	2995-0030	18653-0001	SP2701-0501	X3001-095F
RC 210 D	11740-205	080	1" BSP	Foot	•	Bilge	SK300	11746	17937-0001	21849	SP1005-03
RC 320 D	Dual Pump	200	1-1/2" Flanged	Foot		Cooling	SK300	816	836-0001	21849	SP1005-03
2.40HE	29300-2001C	010	3/8" BSP	Flange	•		SK404-0001	29308-0000	22405-0001	SP2701-1006	X3004-095G
2.50HE	29460-1401	020	Ø 20 Hose	Flange	•	29460-1631	SK401-0001	2995-0030	18653-0001	SP2701-1006	SP1002-01
2.60	11260-2101	010	3/8" BSP	Flange	•	29300-2201C	SK266	1126	4528-0001	SP2701-04	SP1002-01
2.60HE	29470-2031C	020	3/8" BSP	Flange			SK405-0001	29476-0000	18653-0001	SP2701-1006	X3004-095G
3.75HE	29460-1401	020	Ø 20 Hose	Flange	•	29460-1631	SK401-0001	2995-0030	18653-0001	SP2701-1006	SP1002-01

# 11 Flexible Impeller Pumps

COOLING PUMP SPARES BY MAKE OF ENGINE



JABSCO PUMP DETAILS							SERVICE KIT DETAILS				
MODEL NUMBER	MODEL NUMBER * OEM ONLY	SIZE	PORT SIZE	MOUNT TYPE	OBSOLETE	ALTERNATE PUMP NUMBER	NUMBER	END COVER GASKET	IMPELLER	WATER SEAL	END COVER SCREWS
3.90	11260-2101	010	3/8" BSP	Flange	•	29300-2201C	SK266	1126	4528-0001	SP2701-04	SP1002-01
3.90	29300-2201C	010	3/8" BSP	Flange	•		SK404-0001	29308-0000	22405-0001	SP2701-1006	X3004-095G
3.90	21130-2101	020	3/8" BSP	Flange	•	Bilge	SK304	21117	4528-0001	SP2701-04	SP1002-03
	Dual Pump	020	3/8" BSP	Flange		Cooling	SK304	21117	4528-0001	SP2701-04	SP1002-17
3.90HE	29470-2031				•				18653-0001		
4.110 HE	3270-261	040	3/4" BSP	Flange	•		SK33	3298	1210-0001	SP2701-21	SP1002-02
4.110HLE	3270-261	040	3/4" BSP	Flange			SK33	3298	1210-0001	SP2701-21	SP1002-02
4.18	3270-261	040	3/4" BSP	Flange			SK33	3298	1210-0001	SP2701-21	SP1002-02
4.180	3270-261	040	3/4" BSP	Flange	•		SK33	3298	1210-0001	SP2701-21	SP1002-02
4.190 HE	29500	040	Ø 28 Hose	Flange	•		SK384-0001	3298	1210-0001	SP2700-1027	SP1002-02
4.220 HE	23430-1001	080	Ø 32 Hose	Flange			SK385-0001	890	17937-0001	SP2700-1027	SP1003-0111
4.440	29600-1201	080	Ø 32 Hose	Flange			SK385-0101	890	17937-0001	SP6080-0469	SP1003-0111
5.280 HE	23430-1001	080	Ø 32 Hose	Flange			SK385-0001	890	17937-0001	SP2700-1027	SP1003-0111
6.280	23430-1001	080	Ø 32 Hose	Flange			SK385-0001	890	17937-0001	SP2700-1027	SP1003-0111
6.570 / T	6420-2041	080	1" BSP	Foot	•	52080-2041	SK385-0201	3101	17937-0001	SP2700-1027	SP1003-09
6.570 / T	52080-2041	080	1" BSP	Foot			SK406-0001	890	17937-0001	SP2700-48	X3001-147F
6.660E / 6.660 LE	29600-1201	080	Ø 32 Hose	Flange			SK385-0101	890	17937-0001	SP6080-0469	SP1003-0111
MB 180 / 300	29500-1001	040	Ø 28 Hose	Flange			SK384-0001	3298	1210-0001	SP2700-1027	SP1002-02
MB 220	3270-205	040	3/4" BSP	Flange	•		SK33	3298	1210-0001	SP2701-21	SP1002-02
OM 366	23340-1101	120	Ø 45 Hose	Flange	•	Respecified	SK310	890	17018-0001	22617-0000	SP1003-09
1300	52220-0041	200	1-1/2" Flanged	Foot			SK407-0011	816	17935-0001	SP6080-0374	X3001-176F
1600	52220-0011	200	1-1/2" Flanged	Foot			SK407-0011	816	17935-0001	SP6080-0374	X3001-176F
2100	52270-2041	270	2" BSP	Foot			SK408-0011	816	21676-0001	SP6080-0374	X3001-176F
2100 T	52270-2011	270	2" BSP	Foot			SK408-0011	816	17936-0001	SP6080-0374	X3001-176F
<b>NORPRO – USA</b>											
1120A	2620-1001		3/8" NPTF	Foot	•		90020-0001	18753-0125	18673-0001	92700-0050	18753-0121
1731	2620-1001		3/8" NPTF	Foot	•		90020-0001	18753-0125	18673-0001	92700-0050	18753-0121
600	2620-1001		3/8" NPTF	Foot	•		90020-0001	18753-0125	18673-0001	92700-0050	18753-0121
800	2620-1001		3/8" NPTF	Foot	•		90020-0001	18753-0125	18673-0001	92700-0050	18753-0121

JABSCO PUMP DETAILS							SERVICE KIT DETAILS				
MODEL NUMBER	MODEL NUMBER * OEM ONLY	SIZE	PORT SIZE	MOUNT TYPE	OBSOLETE	ALTERNATE PUMP NUMBER	NUMBER	END COVER GASKET	IMPELLER	WATER SEAL	END COVER SCREWS
1000	2620-1001		3/8" NPTF	Foot	•		90020-0001	18753-0125	18673-0001	92700-0050	18753-0121
1250	2620-1001		3/8" NPTF	Foot	•		90020-0001	18753-0125	18673-0001	92700-0050	18753-0121
1800	2620-1001		3/8" NPTF	Foot	•		90020-0001	18753-0125	18673-0001	92700-0050	18753-0121
6500T2	777-9001		1" NPTF	Foot			90118-0001	890-0000	920-0001	96080-0001	91003-0010
<b>NORTH EAST FORD – USA</b>											
<b>Ford</b>											
2723	21140-2601	080	1" BSP	Flange			SK229	890	17937-0001	22626-6000	SP1003-09
<b>ONAN – USA</b>											
Ensign	52010-0051	010	3/8" NPT	Foot	•		SK404-0101	29308-0000	22405-0001	SP2701-0501	X3001-095F
9 kW	52010-0051	010	3/8" NPT	Foot	•		SK404-0101	29308-0000	22405-0001	SP2701-0501	X3001-095F
<b>PEGASO (ENASA) – SPAIN</b>											
9040 / 9028	9710-200	080	1" BSP	Foot			SK229	890	17937-0001	22626-6000	SP1003-09
9100 / 4 / 5	9710-200	080	1" BSP	Foot			SK229	890	17937-0001	22626-6000	SP1003-09
9130 / S	9700-21	080	1" Flanged	Flange		29600-1001	SK238	890	17937-0001	SP6080-06	SP1003-01
9130 / S	29600-1001	080	Ø 32 Hose	Flange		New Pipework	SK385-0101	890	17937-0001	SP6080-0469	SP1003-0111
9716 / S	6490-252	040	1/2" BSP	Foot	•	6490-222	SK225-01	Use 23299 Kit to upgrade to 6490-222			
9716 / S	6490-222	040	1/2" BSP	Foot	•		SK225-01	6496	1210-0001	SP2701-21	SP1003-09
<b>PERAMA</b>											
M20	29350-1001	010	Ø 18 Hose	Flange			SK23-0101	1126	4528-0001	SP2701-14	SP1002-01
M25 / 30 / 3HD 20	29450-1101	020	Ø 20 Hose	Flange	•		SK387-0001	2995-0030	673-0001	SP2700-05	SP1002-01
M35 / 40	29450-1101	020	Ø 20 Hose	Flange	•		SK387-0001	2995-0030	673-0001	SP2700-05	SP1002-01
MC42	29450-1231	020	Ø 20 Hose	Flange			SK387-0001	2995-0030	673-0001	SP2700-05	SP1002-01
3HD 46	29450-1201	020	Ø 20 Hose	Flange			SK387-0001	2995-0030	673-0001	SP2700-05	SP1002-01
M50 / 60 / 80T	29450-1201	020	Ø 20 Hose	Flange			SK387-0001	2995-0030	673-0001	SP2700-05	SP1002-01
Prima	29500-1001	040	Ø 28 Hose	Flange			SK384-0001	3298	1210-0001	SP2700-1027	SP1002-02
Primera (MD22)	29540-1001	040	Ø 28 Hose	Foot	•		SK384-0001	3298	1210-0001	SP2700-1027	X3001-095F
<b>PERKINS – UK</b>											
P3 144M / 152M	4850	080	Ø 32 Hose	Flange	•	9750		3101	920-08	SP2700-06	SP1003-09
P3 144M / 152M	9750	080	Ø 32 Hose	Flange	•		SK269	3101-01	17937-0001	22626-6000	SP1003-09

# 11 Flexible Impeller Pumps

COOLING PUMP SPARES BY MAKE OF ENGINE



JABSCO PUMP DETAILS							SERVICE KIT DETAILS				
MODEL NUMBER	MODEL NUMBER * OEM ONLY	SIZE	PORT SIZE	MOUNT TYPE	OBSOLETE	ALTERNATE PUMP NUMBER	NUMBER	END COVER GASKET	IMPELLER	WATER SEAL	END COVER SCREWS
P3 144M / 152M	4860	080	Ø 32 Hose	Flange	•	9760		3101	920-08	SP2700-06	SP1003-09
P3 144M / 152M	9760	080	Ø 32 Hose	Flange	•		SK269	890-01	17937-0001	22626-6000	SP1003-09
P3M / P4M / P6M	4330-01	080	Ø 32 Hose/Flange	Flange	•						
4.99M	29500-1001	040	Ø 28 Hose	Flange			SK384-0001	3298	1210-0001	SP2700-1027	SP1002-02
4.99M (Exhaust Cooling)	9430	010	1/4" BSP	Flange	•	Exhaust Cooling	SK221	1126	4528-0001	SP2701-09	SP1002-01
L4M	4160	080	Ø 32 Hose	Flange	•						
S6M / 31.52 / 3.1524	6420-2001	080	1" BSP	Foot	•	52080-2001	SK385-0201	890	17937-0001	SP2700-1027	SP1003-09
S6M / 31.52 / 3.1524	52080-2001	080	1" BSP	Foot			SK406-0001	890	17937-0001	SP2700-48	X3001-147F
3.152 / 3.1524	29500-1101	040	Ø 28 Hose	Flange			SK384-0001	3298	1210-0001	SP2700-1027	SP1002-02
4.107M / 4.108M / LL	3370-200	040	3/4" BSP	Flange	•	9970-200	SK33	3298	1210-0001	SP2701-21	SP1002-02
4.107M / 4.108M / LL	9970-200	040	3/4" BSP	Flange			SK229	3298	1210-0001	22626-6000	SP1002-02
4114 (Imp. from USA)	11850-0101	040	1" Hose	Flange	•	11850-0701	SK117-02	8641	1210-0001	SP6080-08B	SP1026-01
4114 (Imp. from USA)	11850-0701	040	1" Hose	Flange	•		SK117-02	8641	1210-0001	SP6080-08B	SP1026-01
4.236 / T4.236	10970	040	3/4" BSP	Flange			SK268-01	3298	1210-0001	22626-6000	SP1002-02
4.236 LL	10970-21	040	3/4" Flanged	Flange			SK268-01	3298	1210-0001	22626-6000	SP1002-02
4.270 M	4160	080	Ø 32 Hose	Flange	•						
6.305 M	6030-71	080	1" Flanged	Flange	•		SK236	890	17937-0001	SP2701-21	SP1003-09
T / H / HT 6.354 M	9990-21	040	3/4" NPT	Barrel	•	9990-41		3298	1210-0001	22626-6000	SP1002-02
T / H / HT 6.354 M	9990-41	040	3/4" NPT	Barrel			SK268	3298	1210-0001	22626-6000	SP1002-02
T / H / HT 6.354 LL	9700-151	080	1" Flanged	Flange	•		SK238-01	3101	17937-0001	SP6080-06	SP1003-01
6.3540 M	9700-151	080	1" Flanged	Flange	•		SK238-01	3101	17937-0001	SP6080-06	SP1003-01
6.3543 M	9700-141	080	1" Flanged	Flange	•	9700-04	SK238	890	17937-0001	SP6080-06	SP1003-01
6.3543 M	9700-04	080	1" Flanged	Flange			SK238-01	3101	17937-0001	SP6080-06	SP1003-01
6.354	9700-01	080	1" Flanged	Flange			SK238	890	17937-0001	SP6080-06	SP1003-01
V8.510	21180-05	200	1-1/4" Flanged	Flange	•		SK293-01	816	836-0001	21849	SP1005-04
TV8.5410 / 40	21180	200	1-1/4" Flanged	Flange	•		SK293-01	816	836-0001	21849	SP1005-04
M90 / 4HD 76 / 6HD	10970-21	040	3/4" Flanged	Flange			SK268-01	3298	1210-0001	22626-6000	SP1002-02
6HD 135 / 150	9700-01	080	1" Flanged	Flange			SK238	890	17937-0001	SP6080-06	SP1003-01
M200 / 240 / 275	9990-41	040	3/4" NPT	Barrel			SK268	3298	1210-0001	22626-6000	SP1002-02

JABSCO PUMP DETAILS							SERVICE KIT DETAILS				
MODEL NUMBER	MODEL NUMBER * OEM ONLY	SIZE	PORT SIZE	MOUNT TYPE	OBSOLETE	ALTERNATE PUMP NUMBER	NUMBER	END COVER GASKET	IMPELLER	WATER SEAL	END COVER SCREWS
1000-Series	29630-1001	080	Ø 32 Hose	Flange	•		SK385-0101	890	17937-0001	SP6080-0469	SP1003-0111
<b>POWER GENNY – USA</b>											
Kubota 2-cyl.	52010-2001	010	3/8" NPTF	Foot	•	51510-2001	SK404-0101	29308-0000	22405-0001	SP2701-0501	X3001-095F
<b>ROLLS ROYCE – UK</b>											
C6NFLM / C6SFLM	4360	200	1-1/2" Flanged	Flange	•		SK230	816	836-0001	21849	SP1005-04
C8T Mk IV	4360	200	1-1/2" Flanged	Flange	•		SK230	816	836-0001	21849	SP1005-04
C8T / C8S / C8N	10590-01	270	2" Flanged	Flange	•		SK254	816	21676-0001	21849	SP1005-04
C6-Series / C12-Series	10590-01	270	2" Flanged	Flange	•		SK254	816	21676-0001	21849	SP1005-04
CV-Series / 8 / 12HD	10590-01	270	2" Flanged	Flange	•		SK254	816	21676-0001	21849	SP1005-04
CV-Series / 8 / 12HD	11100-01-01	270	2" BSP	Flange	•		SK254	816	21676-0001	21849	SP1005-04
<b>SAAB – NORWAY</b>											
F 210 / F 444	21690	040	Ø 20 Hose	Flange	•		SK239	3298	1210-0001	22626-6000	SP1002-02
F 210 / F 444	21690-05	040	Ø 20 Hose	Flange	•		SK239	3298	1210-0001	22626-6000	SP1002-02
F 4.254 / 6.380	10950-201	040	1/2" BSP	Flange	•	10950-2401	SK239	3298	1210-0001	22626-6000	SP1002-02
F 4.254 / 6.380	10950-2401	040	3/4" BSP	Flange			SK239	3298	1210-0001	22626-6000	SP1002-02
F 6.363T / TI	21140-201	080	1" BSP	Flange	•	21140-2401	SK229	890	17937-0001	22626-6000	SP1003-09
F 6.363T / TI	21140-2401	080	1" BSP	Flange			SK229	890	17937-0001	22626-6000	SP1003-09
M 4.210	3270-2101	040	3/4" BSP	Flange	•		SK271	3298	1210-0001	SP2701-21	SP1002-02
M 4.295	29500-1001	040	Ø 28 Hose	Flange			SK384-0001	3298	1210-0001	SP2700-1027	SP1002-02
<b>SAAB SCANIA – SWEDEN</b>											
D11 / DS11 / DSI11	10980-01	200	1-1/2" Flanged	Flange	•	10980-0051	SK230	816	836-0001	21849	SP1005-04
D11 / DS11 / DSI11	10980-0051	200	1-1/2" Flanged	Flange	•		SK230-0161	816	17935-0001	21849	SP1005-04
D5 / DS5	9700-21	080	1" Flanged	Flange		29600-1001	SK238	890	17937-0001	SP6080-06	SP1003-01
D5 / DS5	29600-1001	080	Ø 32 Hose	Flange		New Pipework	SK385-0101	890	17937-0001	SP6080-0469	SP1003-0111
D5 / DS5	7870-221	200	1-1/4" BSP	Foot	•		SK230	816	836-0001	SP6080-0374	SP1005-04
<b>SABRE ENGINES – UK</b>											
<b>Ford Dorset</b>											
80 / 120 / 140	10950-200	040	3/4" BSP	Flange	•	10950-2401	SK239	3298	1210-0001	22626-6000	SP1002-02
80 / 120 / 140	10950-2401	040	3/4" BSP	Flange			SK239	3298	1210-0001	22626-6000	SP1002-02

# 11 Flexible Impeller Pumps

COOLING PUMP SPARES BY MAKE OF ENGINE



JABSCO PUMP DETAILS							SERVICE KIT DETAILS				
MODEL NUMBER	MODEL NUMBER * OEM ONLY	SIZE	PORT SIZE	MOUNT TYPE	OBSOLETE	ALTERNATE PUMP NUMBER	NUMBER	END COVER GASKET	IMPELLER	WATER SEAL	END COVER SCREWS
180 / 210 / 212 / 212C	21140-200	080	1" BSP	Flange	•	21140-2401	SK229	890	17937-0001	22626-6000	SP1003-09
180 / 210 / 212 / 212C	21140-2401	080	1" BSP	Flange			SK229	890	17937-0001	22626-6000	SP1003-09
Ford Dover	21140-2201	080	1" BSP	Flange	•	21140-2601	SK229	890	17937-0001	22626-6000	SP1003-09
Ford Dover	21140-2601	080	1" BSP	Flange			SK229	890	17937-0001	22626-6000	SP1003-09
250 / 275 / 365	21580-200	080	1" BSP	Flange	•		SK229	890	17937-0001	22626-6000	SP1003-09
Marathon	21890	120	1-1/2" BSP	Flange	•	10880-2611	SK310	890	17018-0001	22617-0000	SP1003-09
Marathon	10880-2611	200	1-1/2" Flanged	Flange	•		SK375-0101	816	17935-0001	21849	SP1005-04
M225Ti / 370Ti	29630-1001	080	Ø 32 Hose	Flange	•		SK385-0101	890	17937-0001	SP6080-0469	SP1003-0111
370L / 420L	29700-1201	120	Ø 45 Hose	Flange			SK386-0001	890	17018-0001	SP6080-0469	SP1003-0111
320 / 400 / 420 / 450	10630-07	200	1-1/2" Flanged	Foot	•	52220-0011	SK230	816	836-0001	21849	SP1005-04
320 / 400 / 420 / 450	52220-0011	200	1-1/2" Flanged	Foot			SK407-0011	816	17935-0001	SP6080-0374	X3001-176F
500	10490-07	270	2" Flanged	Foot	•	52270-0011	SK254	816	21676-0001	21849	SP1005-04
500	52270-0011	270	2" Flanged	Foot			SK408-0011	816	17936-0001	SP6080-0374	SP1095-0640
M215C	29630-1001	080	Ø 32 Hose	Flange	•		SK385-0101	890	17937-0001	SP6080-0469	SP1003-0111
M185C	29630-1001	080	Ø 32 Hose	Flange	•		SK385-0101	890	17937-0001	SP6080-0469	SP1003-0111
M130C	29630-1001	080	Ø 32 Hose	Flange	•		SK385-0101	890	17937-0001	SP6080-0469	SP1003-0111
M135	29630-1001	080	Ø 32 Hose	Flange	•	29640-1101	SK385-0101	890	17937-0001	SP6080-0469	SP1003-0111
1006T	29630-1201*	080	Ø 32 Hose	Flange			SK385-0601	890	920-0101	SP6080-0469	X5258-013
1006NA	29630-1241*	080	Ø 32 Hose	Flange			SK385-0601	890	920-0101	SP6080-0469	X5258-013
1104	50440-1401*	080	Ø 32 Hose	Flange			SK385-0601	X4020-269A	920-0101	SP6080-0469	X3001-176F
1106	50440-1401*	080	Ø 32 Hose	Flange			SK385-0601	X4020-269A	920-0101	SP6080-0469	X3001-176F
C6.6	50540-1101*	120	Ø 45 Hose	Flange				X4020-269A	17018-0001	SP6080-0469	X3001-176F
400	50370-2001*	040	3/4" BSP	Flange			SK384-0201	X4020-259A	1210-0001	SP6080-0469	X3001-147F

## SCHWARTING – GERMANY

### Mercedes

S 314 / 352 / 352A	52080-2001	080	1" BSP	Foot			SK406-0001	890	17937-0001	SP2700-48	X3001-147F
S 421 / 422 / 423	52200-2041	200	1-1/4" BSP	Foot			SK407-0011	816	17935-0001	SP6080-0374	X3001-176F
S 424	52200-2001	200	1-1/2" BSP	Foot	•	52200-2011	SK407-0011	816	17935-0001	SP6080-0374	X3001-176F
S 424	52200-2011	200	1-1/2" BSP	Foot			SK407-0011	816	17935-0001	SP6080-0374	X3001-176F
S 424A	52270-2041	270	2" BSP	Foot			SK408-0011	816	21676-0001	SP6080-0374	X3001-176F

JABSCO PUMP DETAILS							SERVICE KIT DETAILS				
MODEL NUMBER	MODEL NUMBER * OEM ONLY	SIZE	PORT SIZE	MOUNT TYPE	OBSOLETE	ALTERNATE PUMP NUMBER	NUMBER	END COVER GASKET	IMPELLER	WATER SEAL	END COVER SCREWS
S 615 / 616 / 636	3270-261	040	3/4" BSP	Flange	•		SK33	3298	1210-0001	SP2701-21	SP1002-02
S 617 / 617A	23430-1001	080	Ø 32 Hose	Flange			SK385-0001	890	17937-0001	SP2700-1027	SP1003-0111
<b>SEATEK – ITALY</b>											
6.4V.9	10770-57	200	1-1/2" Flanged	Flange			SK230	816	836-0001	21849	SP1005-04
10.3 Offshore	29880-0101	370	2-3/4" Flanged	Flange	•		SK410	X4020-424A	17240-0001	21849	X3001-180F
<b>SISU – See VALMET OY</b>											
<b>SOLE DIESEL – SPAIN</b>											
MB 636	29500-1001	040	Ø 28 Hose	Flange	•		SK384-0001	3298	1210-0001	SP2700-1027	SP1002-02
MB 616-4	23430-1001	080	Ø 32 Hose	Flange			SK385-0001	890	17937-0001	SP2700-1027	SP1003-0111
MB 616-6	23430-1001	080	Ø 32 Hose	Flange			SK385-0001	890	17937-0001	SP2700-1027	SP1003-0111
SF15	21140-204	080	1" BSP	Flange	•	21140-2401	SK229	890	17937-0001	22626-6000	SP1003-09
SF15	21140-2401	080	1" BSP	Flange			SK229	890	17937-0001	22626-6000	SP1003-09
SF18	21140-200	080	1" BSP	Flange	•	21140-2401	SK229	890	17937-0001	22626-6000	SP1003-09
SF18	21140-2401	080	1" BSP	Flange			SK229	890	17937-0001	22626-6000	SP1003-09
SM 615	6490-210	040	1/2" BSP	Foot	•		SK225-01	6496	1210-0001	SP2701-21	SP1003-09
SM 636	29500-1001	040	Ø 28 Hose	Flange			SK384-0001	3298	1210-0001	SP2700-1027	SP1002-02
6.354.3	9710-210	080	1" BSP	Foot	•		SK229	890	17937-0001	22626-6000	SP1003-09
4.108	29500-1001	040	Ø 28 Hose	Flange			SK384-0001	3298	1210-0001	SP2700-1027	SP1002-02
<b>TATKO – TURKEY</b>											
	23050-1031	020	3/8" BSP	Flange	•		SK211	10817	673-0001	SP2701-04	SP1002-09
<b>TEMPEST DIESELS – UK</b>											
Captain 31	4760-01	020	3/4" BSP	Flange	•		SK228	2995-0030	673-0001	SP2701-04	SP1002-01
Captain 31	4900-01	040	1/2" BSP	Foot	•		SK234	4908	4568-0001	3791	SP1003-09
Captain 1.5 / 1.8	52040-2001	040	3/4" BSP	Foot			SK384-0101	3298	1210-0001	SP2701-1015	X3001-095F
Commander 2.2D (DC)	4760-01	020	3/4" BSP	Flange	•		SK228	2995-0030	673-0001	SP2701-04	SP1002-01
Commander 2.5 (HX)	29500-1001	040	Ø 28 Hose	Flange			SK384-0001	3298	1210-0001	SP2700-1027	SP1002-02
Commander 50 HP	4760-21	020	3/4" BSP	Flange	•		SK228	2995-0030	673-0001	SP2701-04	SP1002-01
Commander 50 HP	4760-111	020	3/4" BSP	Flange	•		SK228	2995-0030	673-0001	SP2701-04	SP1002-01

# 11 Flexible Impeller Pumps

COOLING PUMP SPARES BY MAKE OF ENGINE



JABSCO PUMP DETAILS							SERVICE KIT DETAILS				
MODEL NUMBER	MODEL NUMBER * OEM ONLY	SIZE	PORT SIZE	MOUNT TYPE	OBSOLETE	ALTERNATE PUMP NUMBER	NUMBER	END COVER GASKET	IMPELLER	WATER SEAL	END COVER SCREWS
Commander 50 HP (HX)	3270-241	040	3/4" BSP	Flange	•		SK271	3298	1210-0001	SP2701-21	SP1002-02
Commander 50 HP (HX)	29500-1001	040	Ø 28 Hose	Flange			SK384-0001	3298	1210-0001	SP2700-1027	SP1002-02
Commodore 34 / 38	4760-01	020	3/4" BSP	Flange	•		SK228	2995-0030	673-0001	SP2701-04	SP1002-01
Commodore	3270-261	040	3/4" BSP	Flange	•		SK33	3298	1210-0001	SP2701-21	SP1002-02
Navigator 38	4760	020	3/4" BSP	Flange	•		SK228	2995-0030	673-0001	SP2701-04	SP1002-01
Sea Lord 51	4760-01	020	3/4" BSP	Flange	•		SK228	2995-0030	673-0001	SP2701-04	SP1002-01
Sea Lord 51	3270-251	040	3/4" BSP	Flange	•		SK33	3298	1210-0001	SP2701-21	SP1002-02
Sea Lord 5.66	9700	080	1" Flanged	Flange	•		SK238	890	17937-0001	22645-0000	SP1003-01
Sea Prince 3000S	29500-1001	040	Ø 28 Hose	Flange			SK384-0001	3298	1210-0001	SP2700-1027	SP1002-02
Vedette Mk II-VI	4760	020	3/4" BSP	Flange	•		SK228	2995-0030	673-0001	SP2701-04	SP1002-01
Vedette Mk VII	11430-01	010	3/4" BSP	Flange	•		SK272	11438	4528-0001	SP2700-11	SP1002-04
Yeoman 36	4760-151	020	3/4" BSP	Flange	•		SK228	2995-0030	673-0001	SP2701-04	SP1002-01
4.58 / 80	21140-200	080	1" BSP	Flange	•	21140-2401	SK229	890	17937-0001	22626-6000	SP1003-09
6.97 / 120	21140-200	080	1" BSP	Flange	•	21140-2401	SK229	890	17937-0001	22626-6000	SP1003-09
6.150 / 180	21140-200	080	1" BSP	Flange	•	21140-2401	SK229	890	17937-0001	22626-6000	SP1003-09
6.150 / 180	21140-2401	080	1" BSP	Flange			SK229	890	17937-0001	22626-6000	SP1003-09
1622 S	6540-200	020	3/8" BSP	Foot	•	51520-2001	SK205	2995-0030	673-0001	B22	SP1002-01
<b>UNIVERSAL – USA</b>											
Ford 1.4	52010-0051	010	3/8" NPT	Foot	•		SK404-0101	29308-0000	22405-0001	SP2701-0501	X3001-095F
<b>VALMET OY – FINLAND</b>											
310 DM / 411 DM	3370-200	040	3/4" BSP	Flange	•	9970-200	SK33	3298	1210-0001	SP2701-21	SP1002-02
310 DM / 411 DM	9970-200	040	3/4" BSP	Flange			SK229	3298	1210-0001	22626-6000	SP1002-02
411 / 611 CM / CSM	9700-21	080	1" Flanged	Flange		29600-1001	SK238	890	17937-0001	SP6080-06	SP1003-01
411 / 611 CM / CSM	29600-1001	080	Ø 32 Hose	Flange		New Pipework	SK385-0101	890	17937-0001	SP6080-0469	SP1003-0111
615 / 815 DM	10770-57	200	1-1/2" Flanged	Flange			SK230	816	836-0001	21849	SP1005-04
4035 PM	4760-41	020	3/4" BSP	Flange	•		SK228	2995-0030	673-0001	SP2701-04	SP1002-01
6-cyl.	29770-0001	200	1-1/2" Flanged	Flange				816	17935-0001	21849	SP1095-0640
612DS	29770-0001	200	1-1/2" Flanged	Flange				816	17935-0001	21849	SP1095-0640



JABSCO PUMP DETAILS							SERVICE KIT DETAILS				
MODEL NUMBER	MODEL NUMBER * OEM ONLY	SIZE	PORT SIZE	MOUNT TYPE	OBSOLETE	ALTERNATE PUMP NUMBER	NUMBER	END COVER GASKET	IMPELLER	WATER SEAL	END COVER SCREWS
<b>VETUS – NETHERLANDS</b>											
C 4 / 6	23430-1401	080	Ø 32 Hose	Flange			SK385-0001	890	17937-0001	SP2700-1027	SP1003-0111
K 3 / 3D / 4	29470-2131C	020	3/8" BSP	Flange	•		SK405-0001	29476-0000	18653-0001	SP2701-1006	X3004-095G
L 2 / 3	29460-1251	020	Ø 20 Hose	Flange	•	29460-10-1051	SK401-0001	2995-0030	18653-0001	SP2701-1006	SP1002-01
M 2.05	29460-1201	020	Ø 20 Hose	Flange	•	29460-10-1051	SK401-0001	2995-0030	18653-0001	SP2701-1006	SP1002-01
M 3.10	29480-2031C	020	3/8" BSP	Flange	•	29460-10-1051	SK405-0001	29476-0000	18653-0001	SP2701-1006	X3004-095G
M 4.14	3270-2301	040	3/4" BSP	Flange	•		SK33	3298	1210-0001	SP2701-21	SP1002-02
P 4.25	23430-1441	080	Ø 32 Hose	Flange			SK385-0001	890	17937-0001	SP2700-1027	SP1003-0111
STM 6514	29530-2001	040	3/4" BSPF	Crank				3298	1210-0001	SP2700-1027	X3001-095F
36-22-11	3270-2301	040	3/4" BSP	Flange	•		SK33	3298	1210-0001	SP2701-21	SP1002-02
42-26-Series	3270-2301	040	3/4" BSP	Flange	•		SK33	3298	1210-0001	SP2701-21	SP1002-02
52-34-Series	3270-2301	040	3/4" BSP	Flange	•		SK33	3298	1210-0001	SP2701-21	SP1002-02
DT43	29680-1051	080	Ø 32 Hose	Flange				890	17937-0001	SP6080-0469	X3001-147F
DTA43	29680-1051	080	Ø 32 Hose	Flange				890	17937-0001	SP6080-0469	X3001-147F
DT64	29680-1041	080	Ø 32 Hose	Flange				890	17937-0001	SP6080-0469	X3001-147F
DTA64	29680-1041	080	Ø 32 Hose	Flange				890	17937-0001	SP6080-0469	X3001-147F
DT67	29680-1041	080	Ø 32 Hose	Flange				890	17937-0001	SP6080-0469	X3001-147F
DTA67	29680-1041	080	Ø 32 Hose	Flange				890	17937-0001	SP6080-0469	X3001-147F
M 4.15 / M 4.17	29460-10-1041	020	Ø 20 Hose	Flange			-	X5251-049	653-0001	SP2701-1006	x3001-174F
M 2 / M 3	29460-10-1051	020	Ø 20 Hose	Flange			-	X5251-049	653-0001	SP2701-1006	x3001-174F
<b>VM-MOTORI – ITALY</b>											
102 MH-Series	11000-01	020	Ø 16 Hose	Flange	•		SK211	10817	673-0001	SP2701-04	SP1002-09
103 / 4 / 6 MH-Series	29500-1001	040	Ø 28 Hose	Flange			SK384-0001	3298	1210-0001	SP2700-1027	SP1002-02
106 M11	11000-01	020	Ø 16 Hose	Flange	•		SK211	10817	673-0001	SP2701-04	SP1002-09
114 / 6 MH	9700-21	080	1" Flanged	Flange		29600-1001	SK238	890	17937-0001	SP6080-06	SP1003-01
114 / 6 MH	29600-1001	080	Ø 32 Hose	Flange		New Pipework	SK385-0101	890	17937-0001	SP6080-0469	SP1003-0111
116 DAN M	29500-1001	040	Ø 28 Hose	Flange			SK384-0001	3298	1210-0001	SP2700-1027	SP1002-02

# 11 Flexible Impeller Pumps

COOLING PUMP SPARES BY MAKE OF ENGINE



JABSCO PUMP DETAILS							SERVICE KIT DETAILS				
MODEL NUMBER	MODEL NUMBER * OEM ONLY	SIZE	PORT SIZE	MOUNT TYPE	OBSOLETE	ALTERNATE PUMP NUMBER	NUMBER	END COVER GASKET	IMPELLER	WATER SEAL	END COVER SCREWS
HR-Series	23430-1001	080	Ø 32 Hose	Flange			SK385-0001	890	17937-0001	SP2700-1027	SP1003-0111
HR 694 HID10	29700-1301	120	Ø 45 Hose	Flange			SK386-0001	890	17018-0001	SP6080-0469	SP1003-0111
804 / 806 M	29500-1001	040	Ø 28 Hose	Flange			SK384-0001	3298	1210-0001	SP2700-1027	SP1002-02
956 M11	11000-01	020	Ø 16 Hose	Flange	•		SK211	10817	673-0001	SP2701-04	SP1002-09
130 MH 14-Series	10880-0101	200	1-1/2" Flanged	Flange	•		SK230	816	836-0001	21849	SP1005-04
131 MH 14-Series	11100-0101	270	2" Flanged	Flange	•		SK254	816	21676-0001	21849	SP1005-04
<b>VOLVO PENTA – SWEDEN</b>											
AQ 95	9900	020	Ø 16 Hose	Foot	•	29470-2231C	SK211	10817	673-0001	SP2701-04	SP1002-09
AQ 95	29470-2231C	020	3/8" BSP	Flange			SK405-0001	29476-0000	18653-0001	SP2701-1006	X3004-095G
AQ 110 / 115 / BB 115	9900	020	Ø 16 Hose	Foot	•	29470-2231C	SK211	10817	673-0001	SP2701-04	SP1002-09
AQ 110 / 115 / BB 115	29470-2231C	020	3/8" BSP	Flange			SK405-0001	29476-0000	18653-0001	SP2701-1006	X3004-095G
AQ 115 A / B	29470-1231	020	Ø 16 Hose	Flange	•		SK405-0001	29476-0000	18653-0001	SP2701-1006	X3004-095G
AQ 130 C / D	9900	020	Ø 16 Hose	Foot	•	29470-2231C	SK211	10817	673-0001	SP2701-04	SP1002-09
AQ 130 C / D	29470-2231C	020	3/8" BSP	Flange			SK405-0001	29476-0000	18653-0001	SP2701-1006	X3004-095G
AQ 130 C / D	29470-1231	020	Ø 16 Hose	Flange	•		SK405-0001	29476-0000	18653-0001	SP2701-1006	X3004-095G
AQ 140	9900	020	Ø 16 Hose	Foot	•	29470-2231C	SK211	10817	673-0001	SP2701-04	SP1002-09
AQ 140	29470-2231C	020	3/8" BSP	Flange			SK405-0001	29476-0000	18653-0001	SP2701-1006	X3004-095G
AQ 140	29470-1231	020	Ø 16 Hose	Flange	•		SK405-0001	29476-0000	18653-0001	SP2701-1006	X3004-095G
AQ 140 A	10-32621-1					Johnson Pump			4568-0001		
AQ 145 A / B	10-32621-1					Johnson Pump			4568-0001		
AQ 150	14620	080	1" Hose	Flange	•		SK153	890	4598-0001	SP6080-08B	SP1014-03
AQ 151 A / B / C	10-32621-1					Johnson Pump			4568-0001		
AQ 175 A	22740-0251	060	Ø 32 Hose	Crank	•	22740-0151	SK331-0251	3298	22120-0001	SP2701-21	SP8019-01
AQ 175 A	22740-0151	060	Ø 32 Hose	Crank	•		SK331-05	3298	22120-0001	SP2701-21	SP8019-01
AQ 180	10550-01	040	3/4" NPT	Foot	•		SK239	3298	1210-0001	22626-6000	SP1002-02
AQ 200	22300-05	060	Ø 32 Hose	Crank	•		SK331-05	3298	22120-0001	SP6080-08B	SP8019-01
AQ 200 D	22740-0251	060	Ø 32 Hose	Crank	•	22740-0151	SK331-0251	3298	22120-0001	SP2701-21	SP8019-01
AQ 200 D	22740-0151	060	Ø 32 Hose	Crank	•		SK331-05	3298	22120-0001	SP2701-21	SP8019-01
AQ 200 D-280 / 225	22300-05	060	Ø 32 Hose	Crank	•		SK331-05	3298	22120-0001	SP6080-08B	SP8019-01

JABSCO PUMP DETAILS							SERVICE KIT DETAILS				
MODEL NUMBER	MODEL NUMBER * OEM ONLY	SIZE	PORT SIZE	MOUNT TYPE	OBSOLETE	ALTERNATE PUMP NUMBER	NUMBER	END COVER GASKET	IMPELLER	WATER SEAL	END COVER SCREWS
AQ 225 D	22740-0251	060	Ø 32 Hose	Crank	•	22740-0151	SK331-0251	3298	22120-0001	SP2701-21	SP8019-01
AQ 225 D	22740-0151	060	Ø 32 Hose	Crank	•		SK331-05	3298	22120-0001	SP2701-21	SP8019-01
AQ 225 B / D-280	22300-05	060	Ø 32 Hose	Crank	•		SK331-05	3298	22120-0001	SP6080-08B	SP8019-01
AQ 250	22300-05	060	Ø 32 Hose	Crank	•		SK331-05	3298	22120-0001	SP6080-08B	SP8019-01
AQ 260 A	22740-0251	060	Ø 32 Hose	Crank	•	22740-0151	SK331-0251	3298	22120-0001	SP2701-21	SP8019-01
AQ 260 B	22740-0151	060	Ø 32 Hose	Crank	•		SK331-05	3298	22120-0001	SP2701-21	SP8019-01
AQ 270	22300-05	060	Ø 32 Hose	Crank	•		SK331-05	3298	22120-0001	SP6080-08B	SP8019-01
AQ 290 A	22740-0251	060	Ø 32 Hose	Crank	•	22740-0151	SK331-0251	3298	22120-0001	SP2701-21	SP8019-01
AQ 290 A	22740-0151	060	Ø 32 Hose	Crank	•		SK331-05	3298	22120-0001	SP2701-21	SP8019-01
AQ 740 Big Block	22740-0201	060	Ø 32 Hose	Crank	•		SK331-0251	3298	22120-0001	SP2701-21	SP8019-01
AQD 21A	10-32058-1	040				Johnson Pump			4568-0001		
AQD 21B	10-32058-1	040				Johnson Pump			4568-0001		
AQD 40A	10800-21	080	1" NPSF	Flange	•		SK229	890	17937-0001	22617-0010	SP1003-09
	10-24277-1	080	1" NPSF	Flange		Johnson Pump			17937-0001		
BB 30	9900	020	Ø 16 Hose	Foot	•	29470-2231C	SK211	10817	673-0001	SP2701-04	SP1002-09
BB 30	29470-2231C	020	3/8" BSP	Flange			SK405-0001	29476-0000	18653-0001	SP2701-1006	X3004-095G
BB 70	6490-246	040	1/2" BSP	Foot	•	6490-224	SK225-01	Use 23299 Kit to upgrade to 6490-224			
BB 100	6490-246	040	1/2" BSP	Foot	•	6490-224	SK225-01	Use 23299 Kit to upgrade to 6490-224			
MB 10A	11260-2101	010	3/8" BSP	Flange	•	29300-2201C	SK266	1126	4528-0001	SP2701-04	SP1002-01
MB 10A / 11	29300-2201C	010	3/8" BSP	Flange	•		SK404-0001	29308-0000	22405-0001	SP2701-1006	X3004-095G
MB 16A	9400	020	Ø 16 Hose	Flange	•		SK211	10817	673-0001	SP2701-04	SP1002-09
MB 36A	6490-241	040	1/2" BSP	Foot	•	6490-222	SK225-01	Use 23299 Kit to upgrade to 6490-224			
MB 36B	10550-01	040	3/4" NPT	Foot	•		SK239	3298	1210-0001	22626-6000	SP1002-02
MBN 40	21770	040	Ø 32 Hose	Flange	•		SK309	4908	4568-0001	SP2701-01	SP1003-09
MD 1 / 1A / 1B	11260-2101	010	3/8" BSP	Flange	•	29300-2201C	SK266	1126	4528-0001	SP2701-04	SP1002-01
MD 1 KHD / HY / 2	11260-2101	010	3/8" BSP	Flange	•	29300-2201C	SK266	1126	4528-0001	SP2701-04	SP1002-01
MD 1 KHD / HY / 2	29300-2201C	010	3/8" BSP	Flange	•		SK404-0001	29308-0000	22405-0001	SP2701-1006	X3004-095G
MD2 / 2B	29300-2201C	010	3/8" BSP	Flange	•		SK404-0001	29308-0000	22405-0001	SP2701-1006	X3004-095G

# 11 Flexible Impeller Pumps

COOLING PUMP SPARES BY MAKE OF ENGINE



JABSCO PUMP DETAILS							SERVICE KIT DETAILS				
MODEL NUMBER	MODEL NUMBER * OEM ONLY	SIZE	PORT SIZE	MOUNT TYPE	OBSOLETE	ALTERNATE PUMP NUMBER	NUMBER	END COVER GASKET	IMPELLER	WATER SEAL	END COVER SCREWS
MD 2 BHY	11260-2101	010	3/8" BSP	Flange	•	29300-2201C	SK266	1126	4528-0001	SP2701-04	SP1002-01
MD 2 BHY	29300-2201C	010	3/8" BSP	Flange	•		SK404-0001	29308-0000	22405-0001	SP2701-1006	X3004-095G
MD 3	9900	020	Ø 16 Hose	Foot	•	29470-2231C	SK211	10817	673-0001	SP2701-04	SP1002-09
MD 3	29470-2231C	020	3/8" BSP	Flange			SK405-0001	29476-0000	18653-0001	SP2701-1006	X3004-095G
MD 3	29470-1231C	020	Ø 16 Hose	Flange			SK405-0001	29476-0000	18653-0001	SP2701-1006	X3004-095G
MD 5A / B / C	29300-2201C	010	3/8" BSP	Flange	•		SK404-0001	29308-0000	22405-0001	SP2701-1006	X3004-095G
MD 6A / B	11260-2101	010	3/8" BSP	Flange	•	29300-2201C	SK266	1126	4528-0001	SP2701-04	SP1002-01
MD 7A / B	11260-2101	010	3/8" BSP	Flange	•	29300-2201C	SK266	1126	4528-0001	SP2701-04	SP1002-01
MD 10A / 11	29300-2001C	010	3/8" BSP	Flange	•		SK404-0001	29308-0000	22405-0001	SP2701-1006	X3004-095G
MD11 C	29300-2001C	010	3/8" BSP	Flange	•		SK404-0001	29308-0000	22405-0001	SP2701-1006	X3004-095G
MD11 D	29300-2001C	010	3/8" BSP	Flange	•		SK404-0001	29308-0000	22405-0001	SP2701-1006	X3004-095G
MD 21A	10-32058-1	040		Flange		Johnson Pump			4568-0001		
MD 21B	10-32058-1	040		Flange		Johnson Pump			4568-0001		
MD 22	29500-1001	040	Ø 28 Hose	Flange			SK384-0001	3298	1210-0001	SP2700-1027	SP1002-02
MD22 / SX	29540-1001	040	Ø 28 Hose	Foot	•		SK384-0101	3298	1210-0001	SP2700-1027	X3001-095F
MD 32A	10800-21	080	1" NPSF	Flange	•		SK229	890	17937-0001	22617-0010	SP1003-09
MD40A	10-24277-1	080	1" NPSF	Flange		Johnson Pump			17937-0001		
MD 47A / C	9710-200	080	1" BSP	Foot			SK229	890	17937-0001	22626-6000	SP1003-09
MD 47B	9770-205	080	3/4" BSP	Barrel	•		SK229	890	17937-0001	22626-6000	SP1003-09
MD 50A	11120-204	080	1" BSP	Flange	•		SK229	890	17937-0001	22626-6000	SP1003-09
MD 67C	9770-205	080	3/4" BSP	Barrel	•		SK229	890	17937-0001	22626-6000	SP1003-09
MD 70A	11120-204	080	1" BSP	Flange	•		SK229	890	17937-0001	22626-6000	SP1003-09
MD 70	11120-205	080	1" BSP	Flange	•		SK229	890	17937-0001	22626-6000	SP1003-09
MD 71	10770-0051	200	1-1/2" Flanged	Flange	•		SK369-0001	816	836-0001	21849	SP1095-0640
MD 71	10770-0351	200	1-1/2" Flanged	Flange			SK230	816	836-0001	21849	SP1005-04
MD 96B	9710-200	080	1" BSP	Foot			SK229	890	17937-0001	22626-6000	SP1003-09
MD 2010	29350-1101	010	Ø 20 Hose	Flange			SK23-0101	1126	4528-0001	SP2701-14	SP1002-01
MD 2020	29350-1101	010	Ø 20 Hose	Flange			SK23-0101	1126	4528-0001	SP2701-14	SP1002-01
MD 2030	29450-1301	020	Ø 20 Hose	Flange			SK387-0001	2995-0030	673-0001	SP2700-05	SP1002-01

JABSCO PUMP DETAILS							SERVICE KIT DETAILS				
MODEL NUMBER	MODEL NUMBER * OEM ONLY	SIZE	PORT SIZE	MOUNT TYPE	OBSOLETE	ALTERNATE PUMP NUMBER	NUMBER	END COVER GASKET	IMPELLER	WATER SEAL	END COVER SCREWS
MD 2040	29450-1401	020	Ø 20 Hose	Flange			SK387-0001	2995-0030	673-0001	SP2700-05	SP1002-01
TAMD 22 / SX	29540-1001	040	Ø 28 Hose	Foot	•		SK384-0101	3298	1210-0001	SP2700-1027	X3001-095F
TAMD 60	11120-205	080	1" BSP	Flange	•		SK229	890	17937-0001	22626-6000	SP1003-09
TAMD 61	10770-0051	200	1-1/2" Flanged	Flange	•		SK369-0001	816	836-0001	21849	SP1095-0640
TAMD 61	10770-0351	200	1-1/2" Flanged	Flange			SK230	816	836-0001	21849	SP1005-04
TAMD 70	11120-205	080	1" BSP	Flange	•		SK229	890	17937-0001	22626-6000	SP1003-09
TAMD 71	10770-0051	200	1-1/2" Flanged	Flange	•		SK369-0001	816	836-0001	21849	SP1095-0640
TAMD 71	10770-0351	200	1-1/2" Flanged	Flange			SK230	816	836-0001	21849	SP1005-04
TAMD 96B	9710-200	080	1" BSP	Foot			SK229	890	17937-0001	22626-6000	SP1003-09
TAMD 102	10590-0031	270	2" Flanged	Flange	•		SK254	816	21676-0001	21849	SP1005-04
TMD22 / SX	29540-1001	040	Ø 28 Hose	Foot	•		SK384-0101	3298	1210-0001	SP2700-1027	X3001-095F
TMD40A	10-24277-1	080	1" BSP	Flange		Johnson Pump			17937-0001		
TMD40B	10-24277-1	080	1" BSP	Flange		Johnson Pump			17937-0001		
TMD 50A	11120-204	080	1" BSP	Flange	•		SK229	890	17937-0001	22626-6000	SP1003-09
TMD 70	11120-205	080	1" BSP	Flange	•		SK229	890	17937-0001	22626-6000	SP1003-09
TMD 71	10770-0051	200	1-1/2" Flanged	Flange	•		SK369-0001	816	836-0001	21849	SP1095-0640
TMD 71	10770-0351	200	1-1/2" Flanged	Flange			SK230	816	836-0001	21849	SP1005-04
TMD 96B	9710-200	080	1" BSP	Foot			SK229	890	17937-0001	22626-6000	SP1003-09
TMD 100A / C	10590-0041	270	2" Flanged	Flange	•		SK254	816	21676-0001	21849	SP1005-04
TMD 120 B	10590-0041	270	2" Flanged	Flange	•		SK254	816	21676-0001	21849	SP1005-04
TMD 121 C	10590-0041	270	2" Flanged	Flange	•		SK254	816	21676-0001	21849	SP1005-04
1113 BR	9710-200	080	1" BSP	Foot			SK229	890	17937-0001	22626-6000	SP1003-09
D4	50380-1001*	080	Ø 38/45 Hose	Flange				X5251-052	17937-0001	SP6080-0469	X3001-178F
D6	50390-1201*	120	Ø 45/50 Hose	Flange				X5251-052	17018-0001	SP6080-0469	X3001-178F
D9	50430-0301*	120	Hose/Flange	Flange				X4020-269A	17018-0001	SP6080-0469	X3001-176F
D11	50590-0001*	200	Hose/Flange	Flange				X4020-399A	836-0001	21849	X3001-178F
D13	50570-0001*	300	Flange	Flange				X4020-399A	17938-0001	21849	X3001-176F

# 11 Flexible Impeller Pumps

COOLING PUMP SPARES BY MAKE OF ENGINE



JABSCO PUMP DETAILS							SERVICE KIT DETAILS				
MODEL NUMBER	MODEL NUMBER * OEM ONLY	SIZE	PORT SIZE	MOUNT TYPE	OBSOLETE	ALTERNATE PUMP NUMBER	NUMBER	END COVER GASKET	IMPELLER	WATER SEAL	END COVER SCREWS
D13 Commercial	50680-0031*	300	Flange	Flange				X4020-399A	17938-0001	21849	X3001-176F
D16	50500-0001*	300	Flange	Flange				X4020-399A	17938-0001	21849	X3001-176F
D16 Keel Cooled	50530-0101*	080	Hose/Flange	Flange				X4020-269A	17937-0001	96080-0626	X3001-178F

## WATERMOTA – UK

### Sea-Series

Beaver / Cub	52010-2051	010	3/8" BSP	Foot	•		SK404-0101	29308-0000	22405-0001	SP2701-0501	X3001-095F
Horse	21690	040	Ø 20 Hose	Flange	•		SK239	3298	1210-0001	22626-6000	SP1002-02
Horse	21690-05	040	Ø 20 Hose	Flange	•		SK239	3298	1210-0001	22626-6000	SP1002-02
Lion	10950-200	040	3/4" BSP	Flange	•	10950-2401	SK239	3298	1210-0001	22626-6000	SP1002-02
Lion	10950-2401	040	3/4" BSP	Flange			SK239	3298	1210-0001	22626-6000	SP1002-02
Lion	21140-201	080	1" BSP	Flange	•	21140-2401	SK229	890	17937-0001	22626-6000	SP1003-09
Lion	21140-2401	080	1" BSP	Flange			SK229	890	17937-0001	22626-6000	SP1003-09
Leopard	9900	020	Ø 16 Hose	Foot	•	29470-2231C	SK211	10817	673-0001	SP2701-04	SP1002-09
Leopard	29470-2231C	020	3/8" BSP	Flange			SK405-0001	29476-0000	18653-0001	SP2701-1006	X3004-095G
Otter	9430-211	010	1/4" BSP	Flange	•	29300-2601C	SK221	1126	4528-0001	SP2701-09	SP1002-01
Otter	29300-2601C	010	3/8" BSP	Flange			SK404-0001	29308-0000	22405-0001	SP2701-1006	X3004-095G
Panther Mk 3 / 4	9900	020	Ø 16 Hose	Foot	•	29470-2231C	SK211	10817	673-0001	SP2701-04	SP1002-09
Panther Mk 3 / 4	29470-2231C	020	3/8" BSP	Flange			SK405-0001	29476-0000	18653-0001	SP2701-1006	X3004-095G
Ranger	23430-1201	080	Ø 32 Hose	Flange			SK385-0001	890	17937-0001	SP2700-1027	SP1003-0111
Scout	10950-200	040	3/4" BSP	Flange	•	10950-2401	SK239	3298	1210-0001	22626-6000	SP1002-02

JABSCO PUMP DETAILS							SERVICE KIT DETAILS				
MODEL NUMBER	MODEL NUMBER * OEM ONLY	SIZE	PORT SIZE	MOUNT TYPE	OBSOLETE	ALTERNATE PUMP NUMBER	NUMBER	END COVER GASKET	IMPELLER	WATER SEAL	END COVER SCREWS
Scout	10950-2401	040	3/4" BSP	Flange			SK239	3298	1210-0001	22626-6000	SP1002-02
Scout	21140-201	080	1" BSP	Flange	•	21140-2401	SK229	890	17937-0001	22626-6000	SP1003-09
Scout	21140-2401	080	1" BSP	Flange			SK229	890	17937-0001	22626-6000	SP1003-09
Tiger / Wolf	9430-211	010	3/4" BSP	Flange	•	29300-2601C	SK221	1126	4528-0001	SP2701-09	SP1002-01
Tiger / Wolf	29300-2601C	010	3/8" BSP	Flange			SK404-0001	29308-0000	22405-0001	SP2701-1006	X3004-095G
Tiger / Wolf	9900	020	Ø 16 Hose	Foot	•	29470-2231C	SK211	10817	673-0001	SP2701-04	SP1002-09
Tiger / Wolf	29470-2231C	020	3/8" BSP	Flange			SK405-0001	29476-0000	18653-0001	SP2701-1006	X3004-095G
Tiger / Wolf	29410-1101	020	Ø 20 Hose	Flange	•		SK404-0001	29308-0000	18653-0001	SP2701-1006	X3004-095G
Series 11-30 / 50	22770	020	Ø 25 Hose	Crank	•	29440-1001	SK346	1985-01	673-0001	SP2701-21	SP1004-09
Series 11-30 / 50	29440-1001	020	Ø 25 Hose	Crank			SK402-0001	1985-0000	18653-0001	29441-0000	SP1004-09
Inlander	2620-253	020	3/8" BSP	Foot	•		SK20	2995-0030	673-0001	SP2700-05	SP1002-02
Type 5-16	9430-211	010	1/4" BSP	Flange	•	29300-2601C	SK221	1126	4528-0001	SP2701-09	SP1002-01
Type 5-16	29300-2601C	010	3/8" BSP	Flange			SK404-0001	29308-0000	22405-0001	SP2701-1006	X3004-095G

**WESTERBEKE – USA****Generator Sets**

8-10 kW	52010-2051	010	3/8" NPT	Foot	•		SK404-0101	29308-0000	22405-0001	SP2701-0501	X3001-095F
10+ kW	52020-2031	020	3/8" NPTF	Foot	•		SK405-0101	2995-0030	18653-0001	SP2701-0501	X3001-095F

**ZEISE – GERMANY**

Kubota Twin	29460-2501	020	3/8" BSP	Flange			SK401-0001	2995-0030	18653-0001	SP2701-1006	SP1002-01
-------------	------------	-----	----------	--------	--	--	------------	-----------	------------	-------------	-----------

# 12 Impeller Replacement

INTRODUCTION



Jabsco – The Original Impeller



Jabsco Flexible Impellers can be fitted to most makes and models of bronze flexible impeller engine cooling, bilge, transfer and general purpose pumps.

Jabsco Flexible Impellers are subjected to rigorous quality processes to ensure reliable, efficient and long-lasting performance.



## Impeller Replacement – The Basics

**USE NEOPRENE IMPELLERS FOR ENGINE COOLING**, and for fresh or salt water transfer duties. Neoprene is the most commonly used material and is suitable for use where only small amounts of oil or diesel fuel are present.

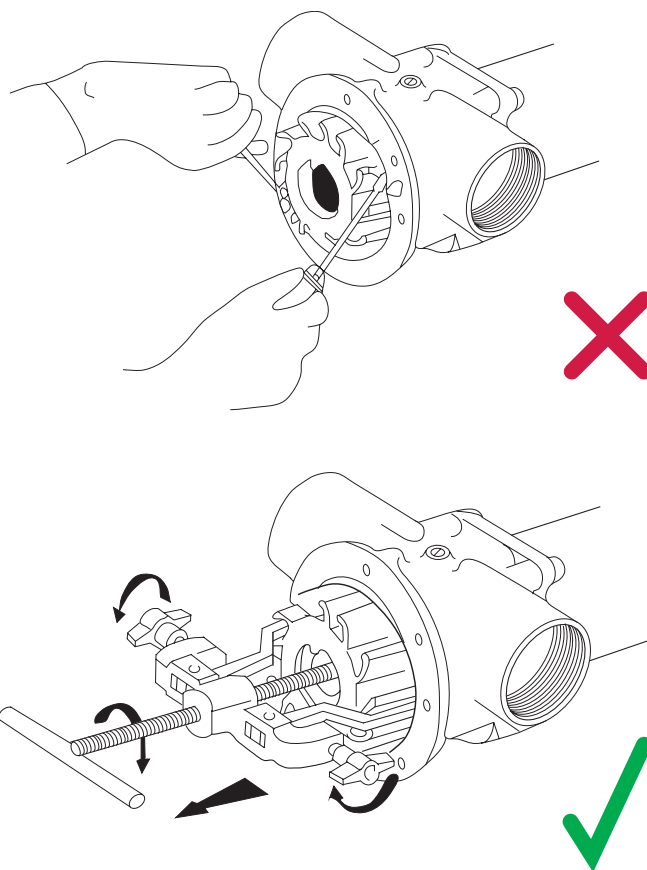
**USE NITRILE IMPELLERS FOR BILGE PUMPING**, and for transfer duties where the water is heavily contaminated, for example by oil or diesel. For diesel transfer duties, go to pages 68-69 and select a Jabsco Sliding Vane Pump.

**REPLACE ALL IMPELLERS AT LEAST ONCE EVERY YEAR**, or sooner, depending on the engine duty. When the installation is correct, an impeller may last for several years, but it is always advisable to stick to a schedule of preventive rather than corrective maintenance.

**REPLACING IMPELLERS IS EASY.** By removing the end cover screws, it is possible to remove the impeller by using either a Jabsco Impeller Removal Tool or channel lock pliers to grip the hub of the impeller. Don't use screwdrivers as they may damage the face of the pump body, causing leaks, and they can be dangerous in confined spaces.

**ALWAYS CARRY SPARE IMPELLERS ON BOARD IN CASE OF EMERGENCY.** The impeller is one of the most vital components of the engine cooling system and should always be treated as such.

**ALWAYS GREASE NEW IMPELLERS.** First, it makes it easier to install the impeller into the pump bore, and second, it gives added protection to the impeller during initial prime. After replacing the gasket and end cover the pump is ready to use.



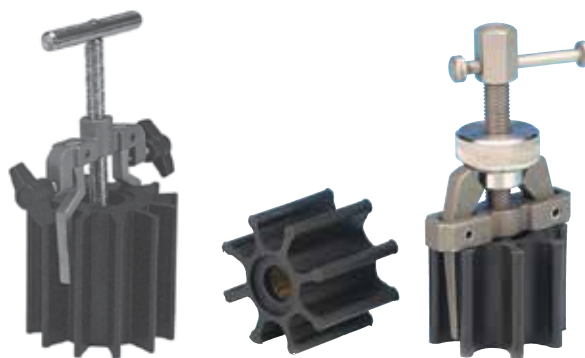
## Flexible Impeller Removal Tool

The Flexible Impeller Removal Tool is the easiest way to remove impellers, especially when the pump is mounted in tight and cramped conditions.

- Simple, three stage operation easily removes the impeller.
- Removes the risk of expensive damage to the pump.
- Manufactured from corrosion-resistant cast aluminum and stainless steel.
- Two models fit all impellers.

<b>SIZE</b>	6" wide x 8" high (max) x 1" deep (15cm x 20cm x 2cm)
<b>WEIGHT</b>	1.1lb (0.5kg)

MODEL	DESCRIPTION
50070-0040	Suitable for impellers up to 2-1/2" (65mm) diameter
50070-0200	Suitable for impellers from 2-1/2" (65mm) to 4-1/2" (118mm) diameter
50070-0080	Compact version suitable for impellers up to 2-1/4" (57mm) diameter



# 12 Impeller Replacement

## IMPELLER SELECTION



### Selecting Your Jabsco Replacement Impeller

There are several ways of identifying the part number of the correct Jabsco impeller if you do not already know it.

1. If you have a Jabsco pump, the Jabsco impeller part number can be found on the data sheet that is delivered with each pump.
2. If you have a Jabsco pump, but no data sheet, and you know the full pump model number, go to pages 162-217, Flexible Impeller Pump Spares by Pump Model, and read off the correct Jabsco impeller part number.
3. If you have another brand of pump, and you know their impeller part number, go to Upgrade to a Jabsco Impeller at right, and check for a Jabsco replacement impeller part number.
4. If you have the impeller in front of you, identify the impeller profile code letter by placing the impeller on the profiles on pages 268-271.
  - Go to pages 148-149, Selection Table by Profile.
  - Measure the shaft diameter (see Chart A).
  - Measure the depth (see Chart A).
  - Identify the drive (see Chart B).
  - Select the material.
  - Read off the part number.
5. If you do not have the impeller in front of you, but you can ask someone who does:
  - Go to pages 150-151, Selection Table by Dimensions.
  - How many blades are there?
  - What is the outside diameter? (see Chart A).
  - What type of drive is it? (see Chart B).
  - What is the depth? (see Chart A).
  - What is the shaft diameter? (see Chart A).
  - Which material is needed?
  - Read off the part number.

CHART A – Measuring Your Impeller

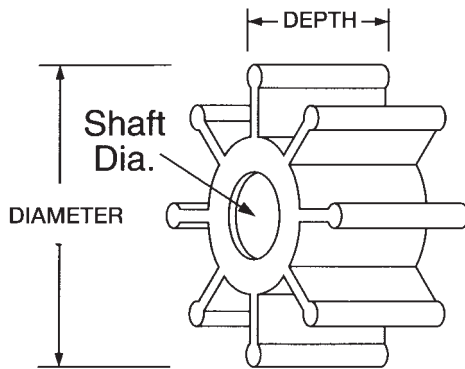
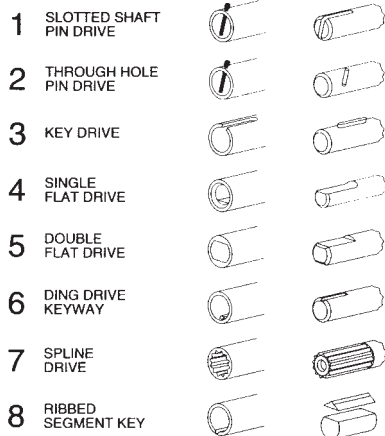


CHART B – Identifying the Impeller Drive



JABSCO	VOLVO	YANMAR	YAMAHA
653-0001			
673-0001	804696, 897055, 875808-8		
673-0003			
836-0001			
836-0003			
920-0001	801277, 825941, 877061-2		
920-0003			
1133-0001			
1210-0001	860203, 3856039-7, 875811-2	129470-42530	
1210-0003			
3085-0001			
4528-0001	803729, 875807-0, 876554-7	104211-42070	
4528-0003			
4568-0001	831182, 875575-3	124310-46090	
4568-0003			
4598-0001			
4598-0003			
6303-0001			
6303-0003			
6760-0001			
6760-0003			
13554-0001			
17935-0001	875660, 875736-1, 825942, 807904		
17935-0003			
17936-0001	875814-6, 875697, 845796, 844683, 842857		
17937-0001	801277, 825941, 877061-2	127610-42200	
17937-0003			
17954-0001*			
18327-0001			
18673-0001			
18838-0001	835512-5		YSC-101-03-01-0C
18948-0001	835874-9		6TA-12457-00
18958-0001			
21414-0001		128170-42070	
22120-0001	834794, 876120-7		
22405-0001	875583-7, 833995		
22799-0001		124223-42091	
31130-0061			

\*Has single flat drive, not spline.

Upgrade to a Jabsco Impeller

	JOHNSON	SHERWOOD	VETUS	MERCUISER	CRUSADER	ANCOR	CEF	OBERDORFER	ONAN	PERKINS USA
	09-810B		IMP00801				500101			
	09-1026B						500116			
	09-1026B-9						500216			
	09-1029B		IMP00901			J050005	500105			
	09-1029B-9					J050405	500205			
	09-1028B						500106			
							500206			
	09-1028B-9					J050001				
	09-1027B		IMP00201			J050007	500107		132-0162	0460038
	09-1027B-9					J050407	500207			
										24880190
	09-806B	9979	IMP00501			J050010	500100		132-0859	24990272
							500201			
	09-801B						500108			
							500208			
							500102	6603		
							500202			
							500110	6617		
	09-824P					J050011	500210			
	09-802B					JP50015	500145			
							500245			
	09-812B									
	09-819B					J050035	500135	7054		
	09-819B-9					J050435				
	09-814B		IMP00801			J050045	500145			0460027
	09-1028B	18200	IMP00301			J050009	500114	7441		0460024, 24880031
							500214			
		15000								24880194
		9959			1003026	J050003	500103		132-0317	NA900010, 24880178
		10615			20300	J050020	500120	8922		NA900012
						J050013	500113			
						J050022	500104			
	09-808B		IMP00601			J050021	500121			
			IMP00101			J050016	500129			
				47-831311350						

# 12 Impeller Replacement

SELECTION TABLE BY PROFILE



IMPELLER TYPE	MODEL NUMBER	MATERIAL	DRIVE TYPE	NUMBER OF BLADES	DIMENSIONS				SHAFT DIAMETER		INSERT MATERIAL	
					DIAMETER		WIDTH		INCHES	mm		
					INCHES	mm	INCHES	mm				
<b>A</b>	1414-0001-P	Neoprene	4	6	1-1/4	32	15/32	12	5/16	8	Brass*	
	1414-0003-P	Nitrile	4	6	1-1/4	32	15/32	12	5/16	8	Brass*	
	12104-0001B	Neoprene	2	6	1-1/4	32	15/32	12	5/16	8	Brass	
	21414-0001-P	Neoprene	4	6	1-1/4	32	15/32	12	5/16	8	Brass	
(for use with Yanmar 1GM10 Marine Engines)												
<b>B</b>	14750-0001B	Neoprene	4	8	1-1/4	32	15/32	12	5/16	8	Brass*	
	14750-0003-P	Nitrile	4	8	1-1/4	32	15/32	12	5/16	8	Brass*	
<b>C</b>	14609-0001B	Neoprene	4	6	1-1/4	32	15/32	12	5/16	8	Brass*	
	14609-0003	Neoprene	4	6	1-1/4	32	15/32	12	5/16	8	Brass*	
	14787-0001B	Neoprene	4	6	1-1/4	32	15/32	12	5/16	8	Plastic*	
<b>CC</b>	31130-0061-P	Neoprene	7	10	2-19/32	66	2-11/16	68	5/8	16	Brass††	
<b>D</b>	4528-0001-P	Neoprene	1 or 2	6	1-9/16	40	3/4	19	3/8	10	Brass	
	4528-0003-P	Nitrile	1 or 2	6	1-9/16	40	3/4	19	3/8	10	Brass	
	17255-0003-P	Nitrile	–	6	1-9/16	40	3/4	19	1/4	6	None†	
	22405-0001-P	Neoprene	1	6	1-9/16	40	3/4	19	15/32	12	Brass	
<b>F</b>	9200-0011B	Neoprene	4	10	1-19/32	41	3/4	19	5/16	8	Plastic*	
	9200-0003B	Nitrile	4	10	1-19/32	41	3/4	19	5/16	8	Plastic*	
	9200-0021B	Neoprene	4	10	1-19/32	41	3/4	19	5/16	8	Brass	
	9200-0023-P	Nitrile	4	10	1-19/32	41	3/4	19	5/16	8	Brass	
<b>G</b>	653-0001-P	Neoprene	1	6	2	51	7/8	22	15/32	12	Brass	
	673-0001-P	Neoprene	1 or 2	6	2	51	7/8	22	1/2	13	Brass	
	(673 Series impellers may be replaced with the newer 18673 Series – see Impeller Type I)											
	4527-0003B	Nitrile	2	6	2	51	7/8	22	5/16	8	None	
	5616-0001-P	Neoprene	6	6	2	51	7/8	22	1/2	13	Brass	
	7273-0001-P	Neoprene	4	6	2	51	7/8	22	5/16	8	Plastic	
	7273-0003-P	Nitrile	4	6	2	51	7/8	22	5/16	8	Plastic	
22799-0001-P	Neoprene	3	6	2	51	7/8	22	1/2	13	Brass		
<b>GG</b>	18958-0001-P	Neoprene	3	12	3-1/4	83	2-57/64	73	25/32	21	Brass	
<b>H</b>	6303-0001-P	Neoprene	4	6	2	51	7/8	22	5/16	8	Plastic	
	6303-0003-P	Nitrile	4	6	2	51	7/8	22	5/16	8	Plastic	
	6303-0007-P	Urethane	4	6	2	51	7/8	22	5/16	8	Plastic	
	17486-0001	Neoprene	6	6	2	51	7/8	22	1/2	13	Brass**	
<b>HH</b>	18777-0001-P	Neoprene	7	10	2-1/4	57	2	51	5/8	16	Brass	
<b>I</b>	18653-0001-P	Neoprene	1	10	2	51	7/8	22	5/32	12	Brass	
	18673-0001-P	Neoprene	1 or 2	10	2	51	7/8	22	1/2	13	Brass	
	18673-0003-P	Nitrile	1 or 2	10	2	51	7/8	22	1/2	13	Brass	
<b>K</b>	1210-0001-P	Neoprene	7	12	2-1/4	57	1-1/4	32	5/8	16	Brass	
	1210-0003-P	Nitrile	7	12	2-1/4	57	1-1/4	32	5/8	16	Brass	
	4568-0001-P	Neoprene	3	12	2-1/4	57	1-1/4	32	5/8	16	Brass	
	4568-0003-P	Nitrile	3	12	2-1/4	57	1-1/4	32	5/8	16	Brass	
	5929-0001-P	Neoprene	6	12	2-1/4	57	1-1/4	32	1/2	13	Brass	
	5929-0003-P	Nitrile	6	12	2-1/4	57	1-1/4	32	1/2	13	Brass	
	13554-0001-P	Neoprene	7	12	2-1/4	57	1-29/32	48	5/8	16	Brass	
	14281-0001-P	Neoprene	5	12	2-1/4	57	1-1/4	32	5/8	16	Plastic	
	22120 Series	Neoprene	7	12	2-1/4	57	2	51	5/8	16	Brass	
(22120 Series impellers may be replaced with the newer 18777 Series – see Impeller Type HH)												

IMPELLER		MATERIAL	DRIVE TYPE	NUMBER OF BLADES	DIMENSIONS				SHAFT DIAMETER		INSERT MATERIAL
TYPE	MODEL NUMBER				DIAMETER		WIDTH		INCHES	mm	
					INCHES	mm	INCHES	mm			
<b>L</b>	3085-0001-P	Neoprene	7	10	2-1/4	57	1-1/4	32	1/2	13	Brass
<b>M</b>	920-0001-P	Neoprene	7	8	2-9/16	65	2	51	5/8	16	Brass
	920-0003-P	Nitrile	7	8	2-9/16	65	2	51	5/8	16	Brass
	920-0008B	Natural Rubber	7	8	2-9/16	65	2	51	5/8	16	Brass†
	4598-0001-P	Neoprene	3	8	2-9/16	65	2	51	5/8	16	Brass
	4598-0003-P	Nitrile	3	8	2-9/16	65	2	51	5/8	16	Brass**
	6056-0003-P	Nitrile	6	8	2-9/16	65	2	51	5/8	16	Brass**
	11979-0001-P	Neoprene	7	8	2-9/16	65	1-7/16	37	5/8	16	Brass
	17018-0001-P	Neoprene	7	8	2-9/16	65	3	76	5/8	16	Brass
<b>O</b>	836-0001-P	Neoprene	7	9	3-3/4	95	2-1/2	63	1	25	Brass
	836-0003-P	Nitrile	7	9	3-3/4	95	2-1/2	63	1	25	Brass
	836-0008-P	Natural Rubber	7	9	3-3/4	95	2-1/2	63	1	25	Brass†
	6760-0001B	Neoprene	7	9	3-3/4	95	3-1/2	89	1	25	Brass
	6760-0003-P	Nitrile	7	9	3-3/4	95	3-1/2	89	1	25	Brass
<b>Q</b>	17370-0001-P	Neoprene	5	12	3-3/4	95	3-1/2	89	1	25	Plastic
	17935-0001-P	Neoprene	7	12	3-3/4	95	2-1/2	63	1	25	Brass
	17936-0001-P	Neoprene	7	12	3-3/4	95	3-1/2	89	1	25	Brass
	17938-0001-P	Neoprene	7	12	3-3/4	95	3-3/4	95	1	25	Brass
<b>R</b>	17240-0001B	Neoprene	7	9	4-5/8	118	3-1/2	89	1	25	Brass
	18786-0001B	Neoprene	5	9	4-5/8	118	3-1/2	89	1	25	Plastic
	18789-0001	Neoprene	7	9	4-5/8	118	3-1/2	89	1	25	Brass
<b>U</b>	2999-0001B	Neoprene	7	13	5	127	4	102	1-1/2	38	Brass
<b>W</b>	18838-0001-P	Neoprene	3	12	2-7/16	62	1-1/4	32	5/8	16	Brass††
<b>X</b>	18948-0001-P	Neoprene	3	12	2-9/16	65	1-5/8	41	5/8	16	Brass††
<b>Y</b>	17937-0001-P	Neoprene	7	10	2-9/16	65	2	51	5/8	16	Brass
	17937-0003-P	Nitrile	7	10	2-9/16	65	2	51	5/8	16	Brass
	17954-0001-P	Neoprene	4	10	2-9/16	65	2	51	3/4	19	Brass††
	17956-0001-P	Neoprene	6	10	2-9/16	65	2	51	5/8	16	Brass
	18327-0001-P	Neoprene	3	10	2-9/16	65	2	51	5/8	16	Brass††
<b>Z</b>	30919-0001	Neoprene	5	12	3-1/16	77	3	76	13/16	20	Brass

\* Insert material was different.

† Impeller molded on shaft.

‡ For low temperature to 27°F (-3°C) – 120°F (49°C) max.

\*\* Extended drive sleeves.

†† Sherwood replacement impeller.

‡‡ MerCruiser replacement.

# 12 Impeller Replacement

SELECTION TABLE BY DIMENSIONS



NUMBER OF BLADES	DIMENSIONS		DRIVE TYPE	SHAFT DIMENSIONS				MATERIAL	INSERT MATERIAL	IMPELLER	
	DIAMETER			DIAMETER		WIDTH				MODEL NUMBER	TYPE
	INCHES	mm		INCHES	mm	INCHES	mm				
6	1-1/4	32	4	15/32	12	5/16	8	Neoprene	Brass*	1414-0001-P	A
	1-1/4	32	4	15/32	12	5/16	8	Nitrile	Brass*	1414-0003-P	A
	1-1/4	32	2	15/32	12	5/16	8	Neoprene	Brass	12104-0001B	A
	1-1/4	32	4	15/32	12	5/16	8	Neoprene	Brass	21414-0001-P	A
	1-1/4	32	4	15/32	12	5/16	8	Neoprene	Brass*	14609-0001B	C
	1-1/4	32	4	15/32	12	5/16	8	Neoprene	Brass*	14609-0003	C
	1-1/4	32	4	15/32	12	5/16	8	Neoprene	Plastic*	14787-0001B	C
	1-9/16	40	1 or 2	3/4	19	3/8	10	Neoprene	Brass	4528-0001-P	D
	1-9/16	40	1 or 2	3/4	19	3/8	10	Nitrile	Brass	4528-0003-P	D
	1-9/16	40	–	3/4	19	1/4	6	Nitrile	None†	17255-0003-P	D
	1-9/16	40	1	3/4	19	15/32	12	Neoprene	Brass	22405-0001-P	D
	2	51	1	7/8	22	15/32	12	Neoprene	Brass	653-0001-P	G
	2	51	1 or 2	7/8	22	1/2	13	Neoprene	Brass	673-0001-P	G
	2	51	2	7/8	22	5/16	8	Nitrile	None	4527-0003B	G
	2	51	6	7/8	22	1/2	13	Neoprene	Brass	5616-0001-P	G
	2	51	4	7/8	22	5/16	8	Neoprene	Plastic	7273-0001-P	G
	2	51	4	7/8	22	5/16	8	Nitrile	Plastic	7273-0003-P	G
	2	51	3	7/8	22	1/2	13	Neoprene	Brass	22799-0001-P	G
	2	51	4	7/8	22	5/16	8	Neoprene	Plastic	6303-0001-P	H
	2	51	4	7/8	22	5/16	8	Nitrile	Plastic	6303-0003-P	H
2	51	6	7/8	22	1/2	13	Neoprene	Brass**	17486-0001	H	
8	1-1/4	32	4	15/32	12	5/16	8	Neoprene	Brass*	14750-0001-B	B
	1-1/4	32	4	15/32	12	5/16	8	Nitrile	Brass*	14750-0003-P	B
	2-9/16	65	7	2	51	5/8	16	Neoprene	Brass	920-0001-P	M
	2-9/16	65	7	2	51	5/8	16	Nitrile	Brass	920-0003-P	M
	2-9/16	65	7	2	51	5/8	16	Natural Rubber	Brass‡	920-0008B	M
	2-9/16	65	3	2	51	5/8	16	Neoprene	Brass	4598-0001-P	M
	2-9/16	65	3	2	51	5/8	16	Nitrile	Brass**	4598-0003-P	M
	2-9/16	65	6	2	51	5/8	16	Nitrile	Brass**	6056-0003-P	M
	2-9/16	65	7	1-7/16	37	5/8	16	Neoprene	Brass	11979-0001-P	M
2-9/16	65	7	3	77	5/8	16	Neoprene	Brass	17018-0001-P	M	
9	3-3/4	95	7	2-1/2	63	1	25	Neoprene	Brass	836-0001-P	O
	3-3/4	95	7	2-1/2	63	1	25	Nitrile	Brass	836-0003-P	O
	3-3/4	95	7	2-1/2	63	1	25	Natural Rubber	Brass‡	836-0008-P	O
	3-3/4	95	7	3-1/2	89	1	25	Neoprene	Brass	6760-0001B	O
	3-3/4	95	7	3-1/2	89	1	25	Nitrile	Brass	6760-0003-P	O
	4-5/8	118	7	3-1/2	89	1	25	Neoprene	Brass	17240-0001B	R
	4-5/8	118	5	3-1/2	89	1	25	Neoprene	Plastic	18786-0001B	R
	4-5/8	118	7	3-1/2	89	1	25	Neoprene	Brass	18789-0001	R

NUMBER OF BLADES	DIMENSIONS		DRIVE TYPE	SHAFT DIMENSIONS				MATERIAL	INSERT MATERIAL	IMPELLER	
	DIAMETER			DIAMETER		WIDTH				MODEL NUMBER	TYPE
	INCHES	mm		INCHES	mm	INCHES	mm				
10	2-19/32	66	7	2-11/16	68	5/8	16	Neoprene	Brass††	31130-0061-P	CC
	1-19/32	41	4	3/4	19	5/16	8	Neoprene	Plastic*	9200-0011B	F
	1-19/32	41	4	3/4	19	5/16	8	Nitrile	Plastic*	9200-0003B	F
	1-19/32	41	4	3/4	19	5/16	8	Neoprene	Brass	9200-0021B	F
	1-19/32	41	4	3/4	19	5/16	8	Nitrile	Brass	9200-0023-P	F
	2-1/4	57	7	2	51	5/8	16	Neoprene	Brass	18777-0001-P	HH
	2	51	1	7/8	22	5/32	12	Neoprene	Brass	18653-0001-P	I
	2	51	1 or 2	7/8	22	1/2	13	Neoprene	Brass	18673-0001-P	I
	2	51	1 or 2	7/8	22	1/2	13	Nitrile	Brass	18673-0003-P	I
	2-1/4	57	7	1-1/4	32	1/2	13	Neoprene	Brass	3085-0001-P	L
	2-9/16	65	7	2	51	5/8	16	Neoprene	Brass	17937-0001-P	Y
	2-9/16	65	7	2	51	5/8	16	Nitrile	Brass	17937-0003-P	Y
	2-9/16	65	4	2	51	3/4	19	Neoprene	Brass††	17954-0001-P	Y
	2-9/16	65	6	2	51	5/8	16	Neoprene	Brass	17956-0001-P	Y
2-9/16	65	3	2	51	5/8	16	Neoprene	Brass††	18327-0001-P	Y	
12	3-1/4	83	3	2-57/64	73	25/32	21	Neoprene	Brass	18958-0001-P	GG
	2-1/4	57	7	1-1/4	32	5/8	16	Neoprene	Brass	1210-0001-P	K
	2-1/4	57	7	1-1/4	32	5/8	16	Nitrile	Brass	1210-0003-P	K
	2-1/4	57	3	1-1/4	32	5/8	16	Neoprene	Brass	4568-0001-P	K
	2-1/4	57	3	1-1/4	32	5/8	16	Nitrile	Brass	4568-0003-P	K
	2-1/4	57	6	1-1/4	32	1/2	13	Neoprene	Brass	5929-0001-P	K
	2-1/4	57	6	1-1/4	32	1/2	13	Nitrile	Brass	5929-0003-P	K
	2-1/4	57	7	1-29/32	48	5/8	16	Neoprene	Brass	13554-0001-P	K
	2-1/4	57	5	1-1/4	32	5/8	16	Neoprene	Plastic	14281-0001-P	K
	2-1/4	57	7	2	51	5/8	16	Neoprene	Brass	22120 Series	K
	3-3/4	95	5	3-9/16	89	1	25	Neoprene	Plastic	17370-0001-P	Q
	3-3/4	95	7	2-9/16	63	1	25	Neoprene	Brass	17935-0001-P	Q
	3-3/4	95	7	3-9/16	89	1	25	Neoprene	Brass	17936-0001-P	Q
	3-3/4	95	7	3-3/4	95	1	25	Neoprene	Brass	17938-0001-P	Q
	2-7/16	62	3	1-1/4	32	5/8	16	Neoprene	Brass††	18838-0001-P	W
	2-9/16	65	3	1-5/8	41	5/8	16	Neoprene	Brass††	18948-0001-P	X
3-1/16	77	5	3	76	13/16	20	Neoprene	Brass	30919-0001	Z	
13	5	127	7	4	102	1-1/2	38	Neoprene	Brass	2999-0001B	U

\* Insert material was different.

† Impeller molded on shaft.

‡ For low temperature to 27°F (-3°C) – 120°F (49°C) max.

\*\* Extended drive sleeves.

†† Sherwood replacement impeller.

‡‡ MerCruiser replacement.

# 12 Impeller Replacement

TROUBLESHOOTING GUIDE



## Troubleshooting 1

### SYMPTOMS

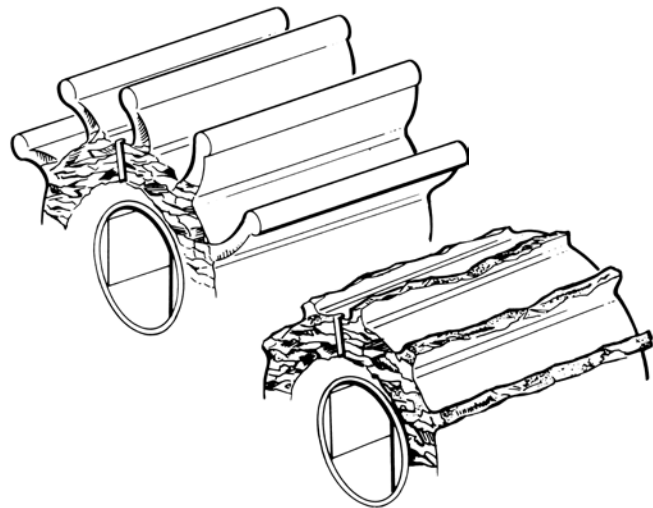
- End faces hard and either polished or cracked, like carbon.
- Some or all blades completely missing.

### CAUSE

- Dry running, lack of water in pump.
- Temporary suction blockage.
- Leaking suction plumbing.

### REMEDY

- Do not run pump for more than 20 seconds without liquid.
- Install a liquid sensor/temperature alarm.
- Check suction plumbing, strainers, and through hull fittings for blockages and leakage.
- Arrange discharge plumbing to trap liquid in the pump.



## Troubleshooting 2

### SYMPTOMS

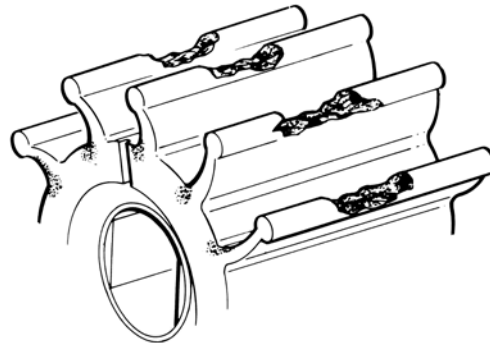
- Pieces missing from the middle of blade tips.
- Blade edges are hollowed out.
- Pitting is evident on cam and the inside of pump ports, and on ends of impeller.

### CAUSE

- Cavitation, i.e., too much vacuum on inlet is causing water to boil inside pump.

### REMEDY

- Reduce pump speed.
- Increase inlet plumbing diameter.
- Reduce inlet plumbing length and remove unnecessary restrictions.
- Reduce cam thickness.



## Troubleshooting 3

### SYMPTOMS

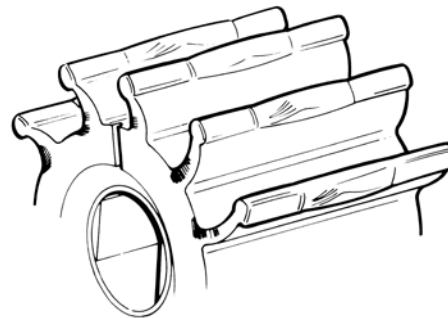
- Worn blade tips, cam imprint on edges.
- Worn end faces.
- Worn impeller drive and shaft wear.

### CAUSE

- Abrasive wear from fluid in pump.
- Heat exchanger/cooler blockage.
- High discharge pressure.

### REMEDY

- Check discharge plumbing for partial blockages.
- Increase discharge pipe diameter.





## Troubleshooting 4

### SYMPTOMS

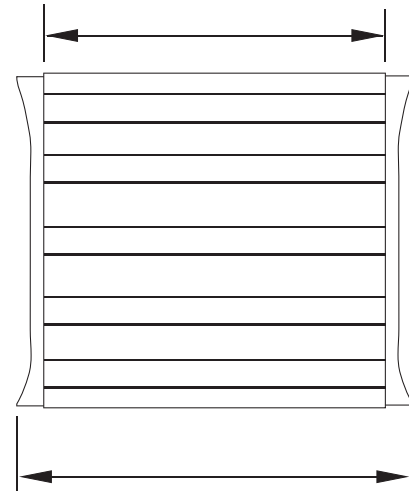
- Impeller appears to have swollen.
- Blades appear wider than impeller hub.
- Rubber may feel sticky.

### CAUSE

- Chemical attack, more common with oily bilge water or diesel transfer.

### REMEDY

- Ensure impeller is rinsed after use.
- Remove impeller when not in use.
- Remove impeller for long-term storage.



## Troubleshooting 5

### SYMPTOMS

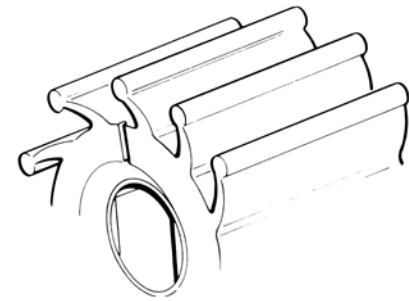
- Blades have some or severe permanent set.

### CAUSE

- Normal use of impeller.
- Long-term storage in pump.
- Normal end of impeller life.

### REMEDY

- Refit impeller to rotate in opposite direction.
- Remove impeller for long-term storage.
- Replace impeller.



## Troubleshooting 6

### SYMPTOMS

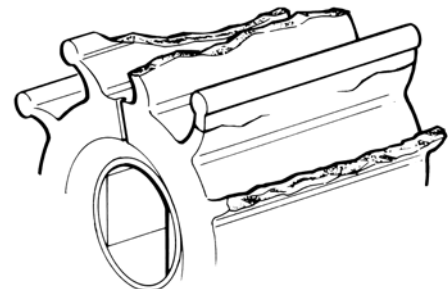
- Blades cracked about halfway up the length.
- Some blades missing.
- Reduced flow.

### CAUSE

- Normal end of impeller life.
- High discharge pressure.

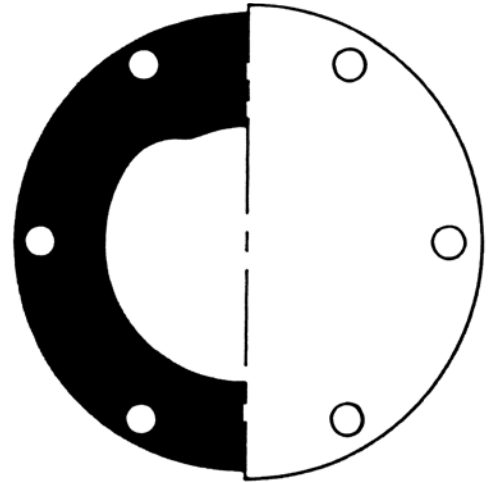
### REMEDY

- Replace impeller; check for impeller pieces in discharge plumbing.
- Reduce outlet restrictions or increase outlet plumbing diameter.

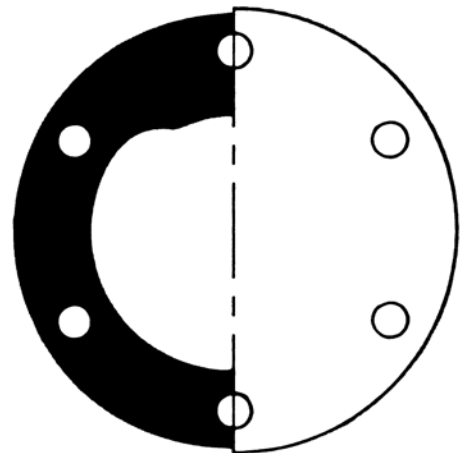


# 13 Service Parts

GASKET, WEARPLATE &  
END COVER PROFILES

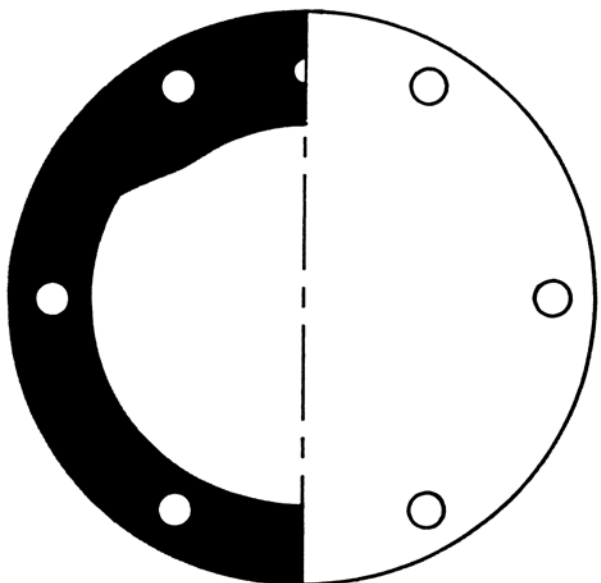


	GASKET	END COVER
UK pumps	1126	AL-200
USA pumps	1126-0000	11835-0000

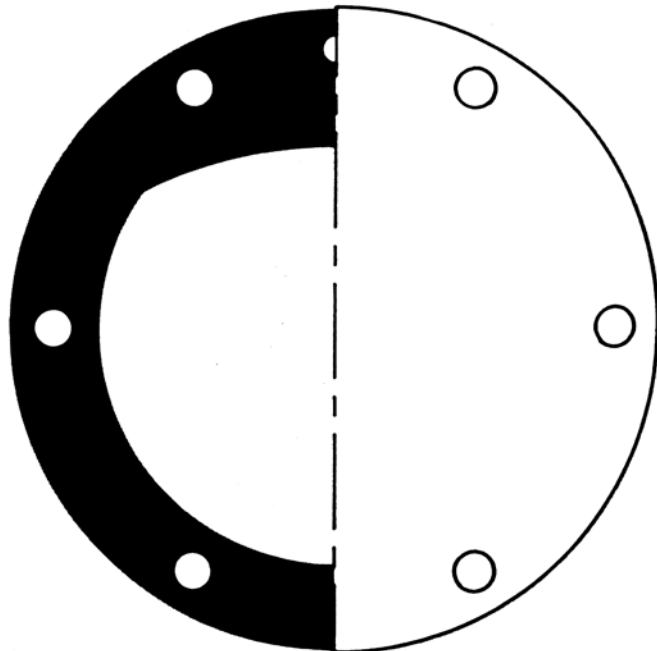


	GASKET	END COVER
UK pumps	1189	9566
USA pumps	1189-0000	12066-0000

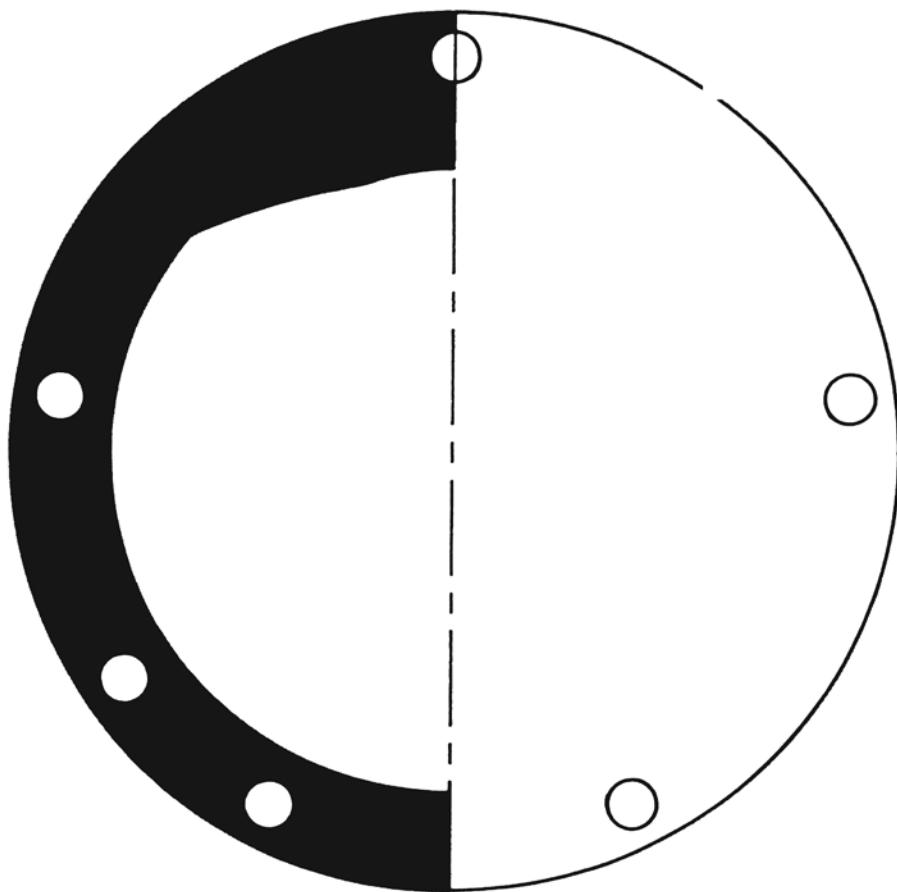




	GASKET	END COVER
UK pumps	3298	3992
USA pumps	3298-0000	11830-0000



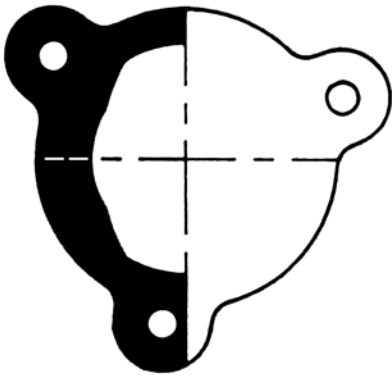
	GASKET	END COVER
UK pumps	890	3993
USA pumps	890-0000	11831-0000



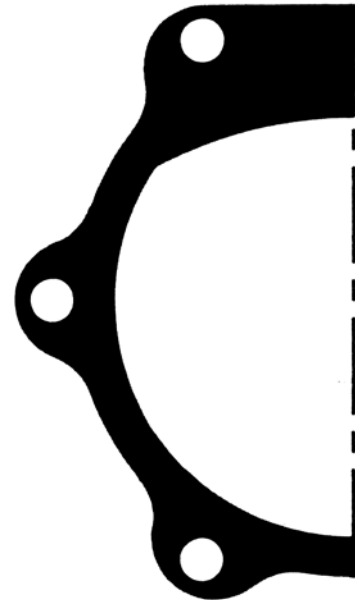
	GASKET	END COVER
UK pumps	816	9336
USA pumps	816-0000	12062-0000

# 13 Service Parts

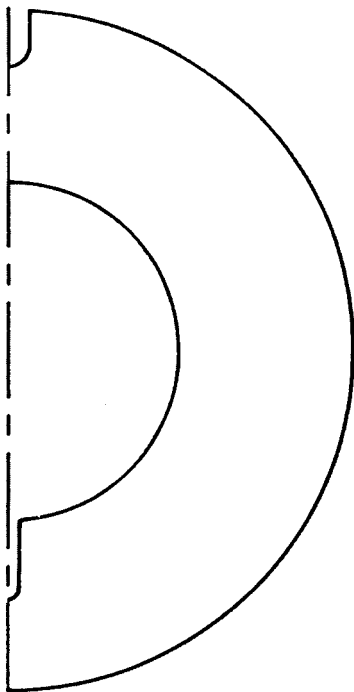
GASKET, WEARPLATE & END COVER PROFILES



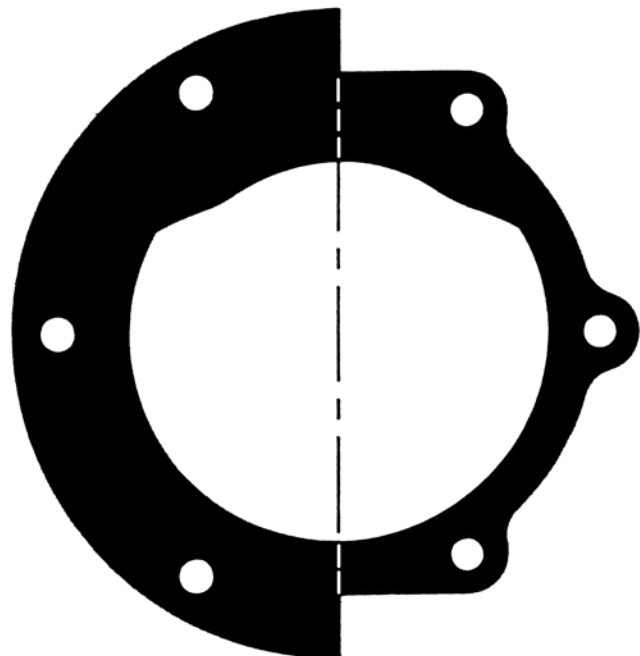
	GASKET	END COVER
UK pumps	5878	5875
USA pumps	N/A	N/A



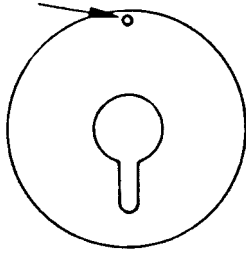
	GASKET
UK pumps	706-01
USA pumps	706-0000



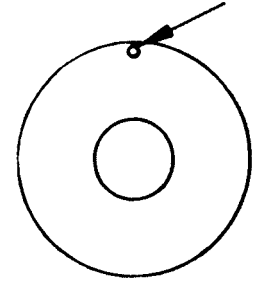
	WEARPLATE
UK pumps	2574
USA pumps	2574-0000



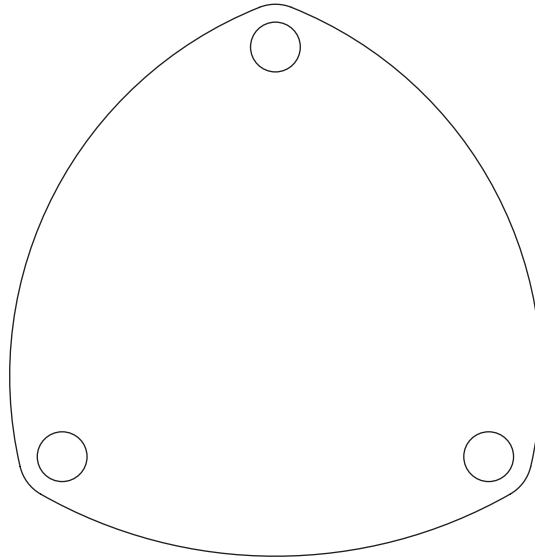
	GASKET	GASKET
UK pumps	6496	4908
USA pumps	6496-0000	7083-0000
Use with 080 size 3993 end cover		



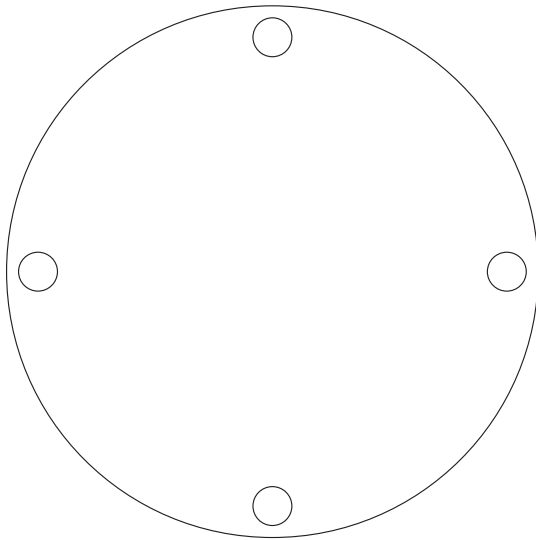
WEARPLATE	
UK pumps	2765
USA pumps	2765-0000



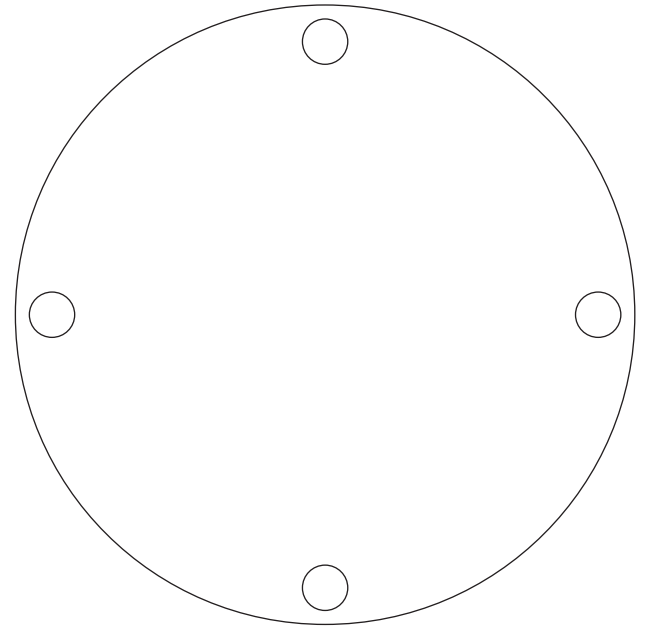
WEARPLATE	
UK pumps	5876
USA pumps	N/A



**END COVER** 9328-0200



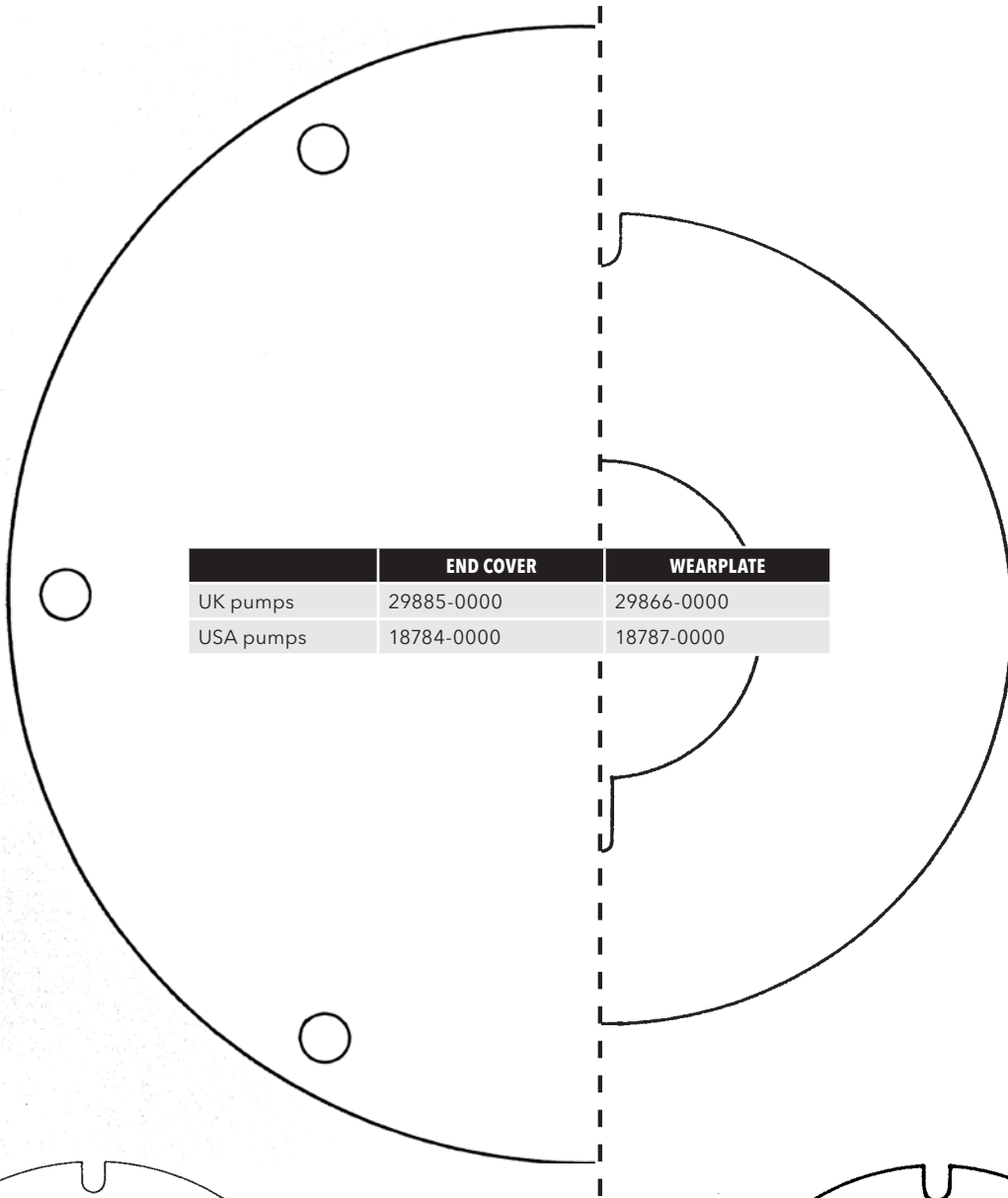
**END COVER** 23825-0000



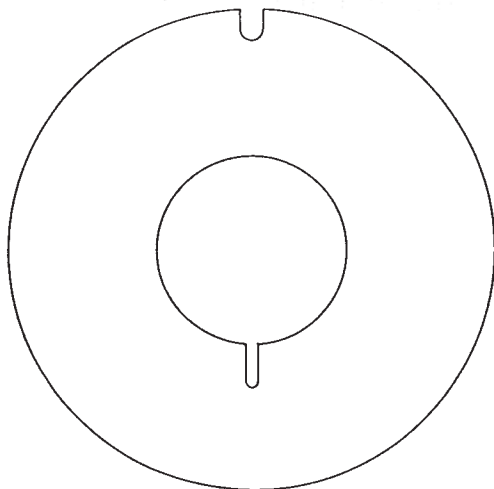
**END COVER** 50355-0000

# 13 Service Parts

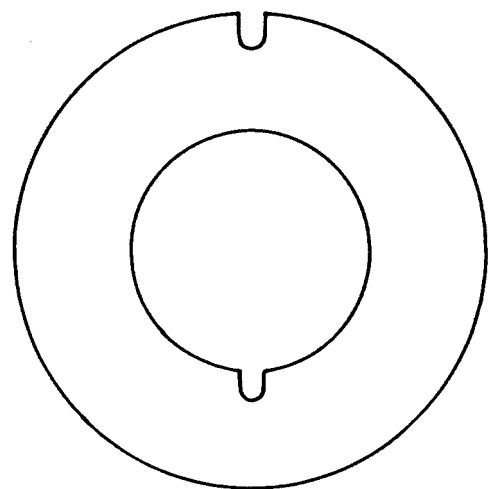
GASKET, WEARPLATE & END COVER PROFILES



	END COVER	WEARPLATE
UK pumps	29885-0000	29866-0000
USA pumps	18784-0000	18787-0000



	WEARPLATE
UK pumps	7883
USA pumps	7883-0000



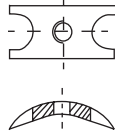
	WEARPLATE
UK pumps	4156
USA pumps	4156-0000

# Service Parts 13

## CAM PROFILES

### Size Group 005

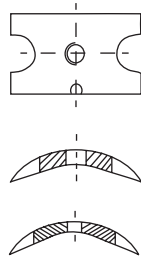
MODEL	DESCRIPTION
5868	Cam, UK pumps
8089-0000	Cam, USA pumps
SP1002-01	Cam Screw
91002-0010	Cam Screw, USA



### Size Group 010

Slot 2763 and 21233 only.

MODEL	DESCRIPTION
AL8	Cam
29303-0000	Cam
2763	Cam, UK pumps
2763-0000	Cam, USA pumps
SP1002-09	Cam Screw
91002-0090	Cam Screw, USA

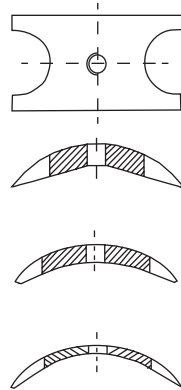


MODEL	DESCRIPTION
AL8-01	Cam
21233	Cam
SP1002-1	Cam Screw

### Size Group 020

MODEL	DESCRIPTION
10818	Cam
SP1002-02	Cam Screw
91002-0020	Cam Screw, USA

MODEL	DESCRIPTION
2907-0001	Cam, UK pumps
2907-0000	Cam, USA pumps
SP1002-09	Cam Screw
91002-0090	Cam Screw, USA



### Size Group 040

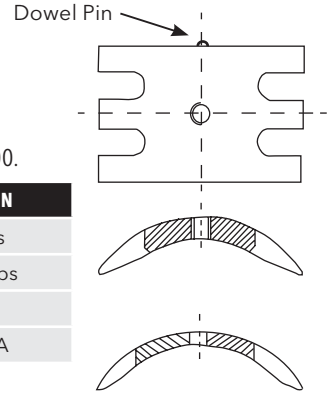
- Assembly 5211 (USA pumps 7876-0000) includes Dowel Pin, Cam and Wearplate.
- Assembly 7884 includes Dowel Pin, Cam and Wearplate.

If O-ring end cover fitted, use 23826-0000.

MODEL	DESCRIPTION
490	Cam, UK pumps
490-0000	Cam, USA pumps
SP1003-01	Cam Screw
91003-0010	Cam Screw, USA

If O-ring end cover fitted, use 23826-0100.

MODEL	DESCRIPTION
10336	Cam
SP1003-09	Cam Screw



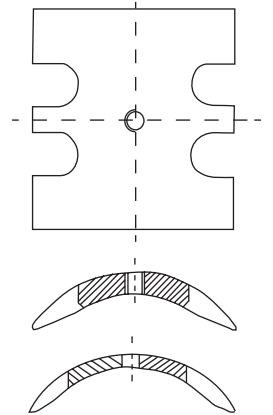
### Size Group 060

MODEL	DESCRIPTION
22318	Cam, UK pumps
18753-0000	Cam, USA pumps
SP1004-11	Cam Screw
91004-0110	Cam Screw, USA

If O-ring end cover fitted, use:

MODEL	DESCRIPTION
22318-0100	Cam
92000-1403	O-ring
X3003-149K	Cam Screw

MODEL	DESCRIPTION
22308	Cam, UK pumps
22308-0000	Cam, USA pumps
SP1004-10	Cam Screw
91004-0100	Cam Screw, USA

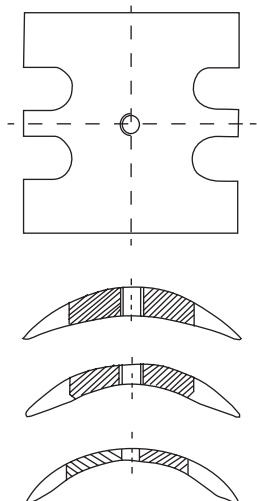


# 13 Service Parts

CAM PROFILES



## Size Group 080



MODEL	DESCRIPTION
934-0000	Cam, UK pumps
934-0000	Cam, USA pumps
SP1004-09	Cam Screw
91004-0090	Cam Screw, USA

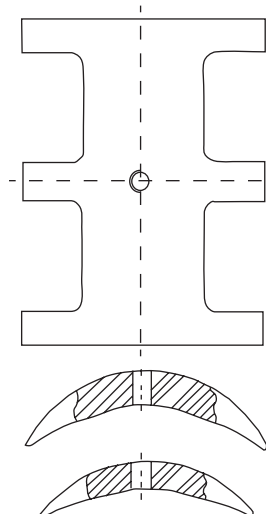
If O-ring end cover fitted, use:

MODEL	DESCRIPTION
53082-0100	Cam
X4020-269A	O-ring
X3003-176F	Cam Screw

MODEL	DESCRIPTION
3255	Cam, UK pumps
3255-0000	Cam, USA pumps
SP1004-11	Cam Screw
91004-0110	Cam Screw, USA

MODEL	DESCRIPTION
2431	Cam, UK pumps
2431-0000	Cam, USA pumps
SP1004-10	Cam Screw
91004-0100	Cam Screw, USA

## Size Group 120



MODEL	DESCRIPTION
23341-0000	Cam
SP1004-09	Cam Screw

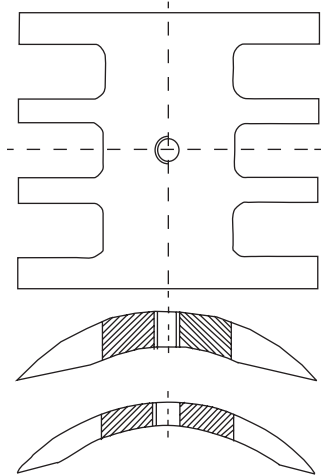
If O-ring end cover fitted, use:

MODEL	DESCRIPTION
23341-0001	Cam
X4020-269A	O-ring
SP1004-09	Cam Screw

MODEL	DESCRIPTION
23342-0000	Cam
SP1004-09	Cam Screw



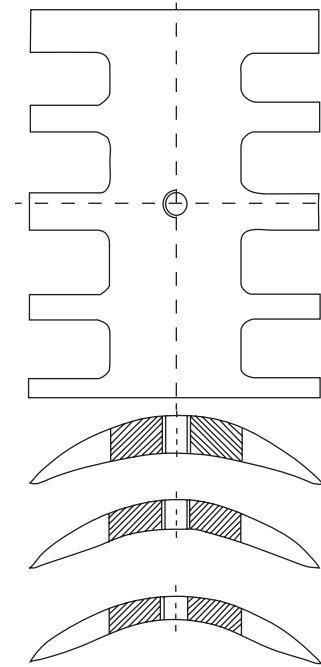
Size Group 200



MODEL	DESCRIPTION
834	Cam, UK pumps
834-0000	Cam, USA pumps
SP1005-04	Cam Screw
91005-0040	Cam Screw, USA

MODEL	DESCRIPTION
2551	Cam, UK pumps
2551-0000	Cam, USA pumps
SP1005-05	Cam Screw
91005-0050	Cam Screw, USA

Size Group 270

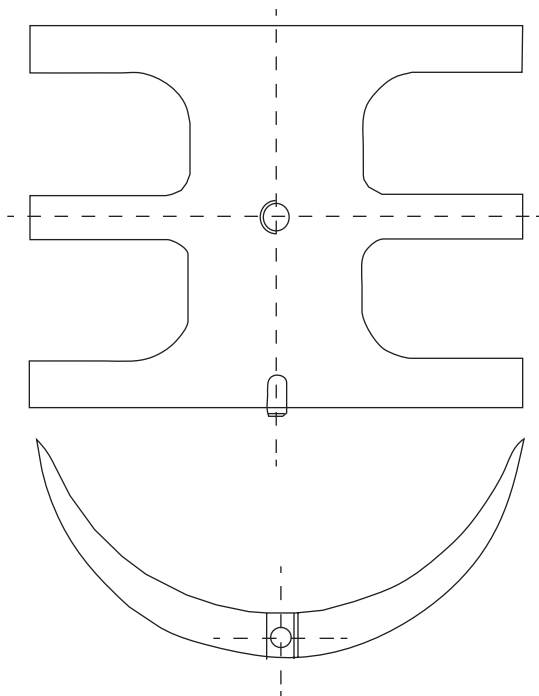


MODEL	DESCRIPTION
6988	Cam, UK pumps
6988-0000	Cam, USA pumps
SP1005-04	Cam Screw
91005-0040	Cam Screw, USA

MODEL	DESCRIPTION
22039	Cam
SP1005-05	Cam Screw

MODEL	DESCRIPTION
22268	Cam
SP1005-05	Cam Screw

Size Group 470



MODEL	DESCRIPTION
29862-0100	Cam
X3001-207F	Cam Screw

# 13 Service Parts

FLEXIBLE IMPELLER PUMP SPARES BY PUMP MODEL



## MULTILINGUAL PART KEY DICTIONARY

**(US)**

1. Gasket
2. Impeller
3. Water seal
4. End cover screw
5. Cam
6. Cam screw
7. Pump end oil seal
8. Pump end bearing
9. Drive end oil seal
10. Drive end bearing
11. Shaft
12. Wearplate
13. Endcover
14. Body

**(FR)**

1. Joint
2. Impulseur
3. Garniture
4. Vis de couvercle
5. Came
6. Vis de came
7. Joint a levre
8. Roulement interieur
9. Joint exterieur
10. Roulement exterieur
11. Arbre
12. Plaque d'usure
13. Couvercle
14. Corps de pompe

**(DE)**

1. Deckeldichtung
2. Impeller
3. Wellendichtung
4. Deckel schraube
5. Exzenter
6. Exzenterschraube
7. Lagerdichtung innen
8. Kugellager innen
9. Lagererdichtung aussen
10. Kugellager aussen
11. Welle
12. Verschleissplatte
13. Dekelschraube
14. Pumpengehäuse

**(IT)**

1. Guarnizione
2. Girante
3. Tenuta
4. Vill coperchio
5. Camme
6. Vite camme
7. Tenuta intereno cuscline
8. Cuscinetto interno
9. Tunuta cuscinetto esterno
10. Cuscinetto esterno
11. Albero
12. Piastra d'usura
13. Coperchio
14. Corpo pomp

**(NL)**

1. Papier
2. Waaier
3. Asdichting
4. Deksel schroeven
5. Kam
6. Kam Schroef
7. Simmer ring
8. Kogellager
9. Simmer Ring
10. Kogellager
11. As
12. Slijpplaat
13. Einddeksel
14. Pomp Huis

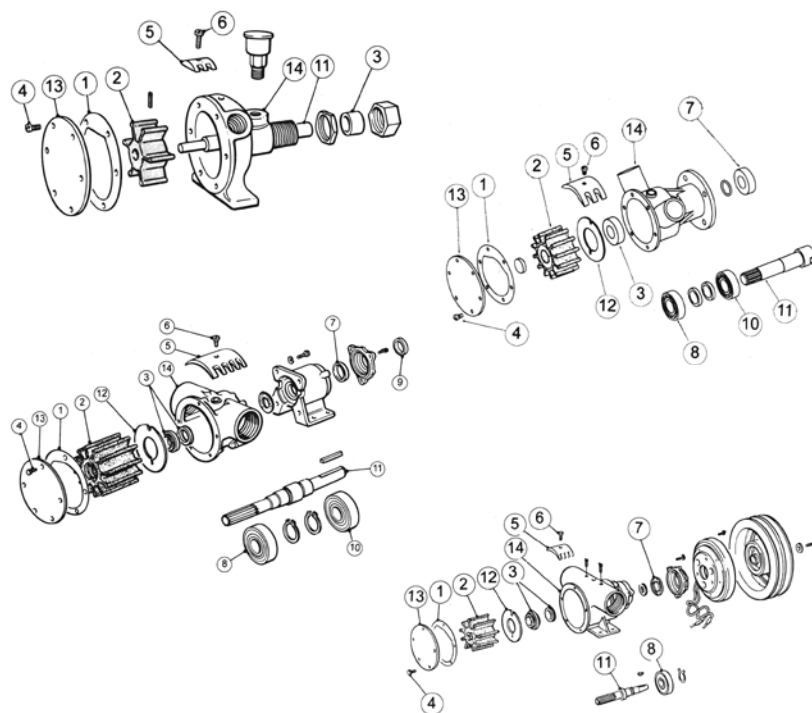
JABSCO PUMP DETAILS							SERVICE KIT LISTING				
MODEL NUMBER *OEM ONLY	UK/ USA	PUMP SIZE	PORT TYPE	MOUNT TYPE	OBSOLETE	ALTERNATE PUMP NUMBER	PART KEY	1	2	3	4
							KIT NUMBER	GASKET/ O-RING	IMPELLER	WATER SEAL	END COVER SCREWS
AL 1/4"-200	UK	10	1/4" BSP	Foot			SK1	1126	4528-0001	AL22	SP1002-01
AL 1/4"-204	UK	10	1/4" BSP	Foot	•		SK1	1126	4528-0001	AL22	SP1002-01
AL 1/4"-237	UK	10	1/4" BSP	Foot	•		SK1-37	1126	4528-0003	AL22	SP1002-01
B 3/8"-200	UK	20	3/8" BSP	Foot	•	6540-200	SK2	2995-0030	4527-0001	B22	SP1002-01
JD 3/4"-200	UK	40	3/4" BSP	Foot			SK220	706-01	4598-0001	C20	SP1003-02
JD 3/4"-201	UK	40	3/4" BSP	Foot	•	JD 3/4"- 200	SK220	706-01	4598-0001	3791	SP1003-02
JD 3/4"-205	UK	40	3/4" BSP	Foot	•		SK220	706-01	4598-0001	3791	SP1003-02
JD 3/4"-208	UK	40	3/4" BSP	Foot	•	JD 3/4"- 200	SK220	706-01	4598-0001	C20	SP1003-02
JD 3/4"-237	UK	40	3/4" BSP	Foot	•		SK220-37	706-01	4598-0003	C20	SP1003-02
777-0001	USA	80	1" BSP	Foot			90010-0001	890-0000	17937-0001	92700-0060	91003-0010
777-0003	USA	80	1" NPT	Foot			90010-0003	890-0000	920-0003	92700-0060	91003-0010
777-9001	USA	80	1" NPT	Foot			90118-0001	890-0000	17937-0001	96080-0080	91003-0010
777-9003	USA	80	1" NPT	Foot			90118-0003	890-0000	920-0003	96080-0080	91003-0010
777-9004	USA	80	1" NPT	Foot			90118-0001	890-0000	14282-0004	96080-0080	91003-0010
777-9005	USA	80	1" NPT	Foot			90118-0003	890-0000	920-0003	96080-0080	91003-0010
777-9011	USA	80	1" NPT	Foot			90118-0001	890-0000	17937-0001	96080-0080	91003-0010
777-9051	USA	80	1" NPT	Foot			90118-0001	2432-0000	17937-0001	96080-0080	91003-0010
823-200	USA	200	1-3/4" BSP	Foot	•		SK11	816	836-0001	1814	SP1005-04
823-205	USA	200	1-3/4" BSP	Foot	•		SK11	816	836-0001	1814	SP1005-04
1673-0001	USA	40	1/2" NPT	Foot			90015-0001	1835-0000	1210-0001	92700-0060	91003-0010
1673-0003	USA	40	1/2" NPT	Foot			90015-0003	1835-0000	1210-0003	92700-0060	91003-0010
1673-1001	USA	40	1/2" NPT	Foot			90015-0001	18753-0133	1210-0001	92700-0060	91003-0010
1673-1003	USA	40	1/2" NPT	Foot			90015-0003	18753-0133	1210-0003	92700-0060	91003-0010
1673-2001	USA	40	1/2" NPT	Foot			90119-0001	18753-0133	1210-0001	96080-0080	91003-0010

**SE**

1. Pakning
2. Impeller
3. Tätning
4. Skruv
5. Kam
6. Kamskruv
7. Lapptätning
8. Inre lager
9. Yttre lagetätning
10. Yttre lager
11. Axel
12. Slitbricka
13. Lock
14. Pumphus

**ES**

1. Junta
2. Impulsor
3. Sello
4. Tornillo
5. Leva
6. Tornillo de la leva
7. Sello interno cojine
8. Cojinete interno
9. Sello cojinete externo
10. Cojinete externo
11. Eje
12. Disco de degaste
13. Apa
14. Cuerpo de la bomba

**GENERAL PARTS LISTING**

	5	6	7	8	9	10	11	12	13	14
	CAM	CAM SCREW	PUMP END OIL SEAL	PUMP END BEARING	DRIVE END OIL SEAL	DRIVE END BEARING	SHAFT	WEARPLATE	END COVER	BODY
	AL8	SP1002-02	–	–	–	–	AL10	–	AL6-200	AL4-200
	AL8-01	SP1002-09	–	–	–	–	AL10	–	AL6-200	AL4-200
	AL8	SP1002-02	–	–	–	–	AL10	–	AL6-200	AL4-200
	2907-0001	SP1002-02	–	–	–	–	B10	–	3992	B8-200
	934-0000	SP1004-01	–	–	–	–	D10-01	–	D6-01-200	JD4-200
	934-0000	SP1004-01	–	–	–	–	D10-201	–	D6-01-200	JD4-200
	2431	SP1004-09	–	–	–	–	D10-01	–	D6-01-200	JD4-200
	934-0000	SP1004-01	–	–	–	–	D10-01	–	D6-01-200	JD4-200
	934-0000	SP1004-01	–	–	–	–	D10-01	–	D6-01-200	JD4-200
	934-0000	91004-0090	913-0000	92600-0540	914-0000	–	6718-0000	4156-0000	11831-0000	798-0020
	934-0000	91004-0090	913-0000	92600-0540	914-0000	–	6718-0000	4156-0000	11831-0000	798-0020
	934-0000	91004-0090	913-0000	92600-0540	914-0000	–	6718-0000	4156-0000	11831-0000	798-0020
	934-0000	91004-0090	913-0000	92600-0540	914-0000	–	6718-0000	4156-0000	11831-0000	798-0020
	934-0000	91004-0090	913-0000	92600-0540	914-0000	–	17941-0000	4156-0000	11831-0000	798-0020
	934-0000	91004-0090	913-0000	92600-0540	914-0000	–	6718-0000	4156-0000	11831-0000	798-0020
	934-0000	91004-0090	913-0000	92600-0540	914-0000	–	6718-0000	4156-0000	11831-0000	798-0020
	2431-0000	91004-0100	913-0000	92600-0540	914-0000	–	6718-0000	4156-0000	11831-0000	798-0020
	–	–	–	–	–	–	–	–	–	–
	–	–	–	–	–	–	–	–	–	–
	490-0001	91003-0010	1554-0000	92600-0330	–	–	1737-0410	–	11836-0000	9094-0000
	490-0001	91003-0010	1554-0000	92600-0330	–	–	1737-0410	–	11836-0000	9094-0000
	490-0000	91003-0010	–	18753-0130	–	18753-0130	18753-0129	–	11836-0000	18753-0128
	490-0000	91003-0010	–	18753-0130	–	18753-0130	18753-0129	–	11836-0000	18753-0128
	490-0000	91003-0010	–	18753-0130	–	18753-0130	18753-0129	–	11836-0000	18753-0128

# 13 Service Parts

FLEXIBLE IMPELLER PUMP SPARES BY PUMP MODEL



JABSCO PUMP DETAILS							SERVICE KIT LISTING				
MODEL NUMBER *OEM ONLY	UK/ USA	PUMP SIZE	PORT TYPE	MOUNT TYPE	OBSOLETE	ALTERNATE PUMP NUMBER	PART KEY	1	2	3	4
							KIT NUMBER	GASKET/ O-RING	IMPELLER	WATER SEAL	END COVER SCREWS
2300-9001	USA	80	1" NPT	Foot			90118-0001	890-0000	17937-0001	96080-0080	91003-0010
2300-9003	USA	80	1" NPT	Foot			90118-0003	890-0000	920-0003	96080-0080	91003-0010
2300-9004	USA	80	1" NPT	Foot			90118-0001	890-0000	17937-0001	96080-0080	91003-0010
2300-9005	USA	80	1" NPT	Foot			90118-0003	890-0000	920-0003	96080-0080	91003-0010
2570-0001	USA	200	1-3/4" Flanged	Flange			90019-0001	816-0000	17935-0001	6408-0000	91095-0060
2570-0011	USA	200	1-3/4" Flanged	Flange			90019-0001	816-0000	17935-0001	6408-0000	91095-0060
2570-0011	UK	200	1-3/4" Flanged	Flange			SK19	816	17935-0001	21849	SP1005-04
2570-0021	USA	200	1-3/4" Flanged	Flange			90019-0001	816-0000	17935-0001	6408-0000	91095-0060
2570-0051	USA	200	1-3/4" Flanged	Flange			90019-0001	816-0000	17935-0001	6408-0000	91095-0060
2570-0151	USA	200	1-3/4" Flanged	Flange			90019-0001	816-0000	17935-0001	6408-0000	91095-0060
2570-0211	USA	200	1-3/4" Flanged	Flange			90019-0001	816-0000	17935-0001	6408-0000	91095-0060
2570-3000	USA	200	1-3/4" Flanged	Flange			90019-0001	816-0000	17935-0001	6408-0000	91095-0060
2620-200	UK	20	3/8" BSP	Foot	•		SK20	2995-0030	673-0001	SP2700-05	SP1002-02
2620-211	UK	20	3/8" BSP	Foot	•	2620-200	SK20	2995-0030	673-0001	SP2700-05	SP1002-02
2620-221	UK	20	3/8" BSP	Foot	•	2620-200	SK20	2995-0030	673-0001	SP2700-05	SP1002-02
2620-237	UK	20	3/8" BSP	Foot	•		SK20-37	2995-0030	673-0003	SP2700-05	SP1002-02
2620-252	UK	20	3/8" BSP	Foot	•		SK20	2995-0030	673-0001	SP2700-05	SP1002-02
2620-253	UK	20	3/8" BSP	Foot	•		SK20	2995-0030	673-0001	SP2700-05	SP1002-02
2620-254	UK	20	3/8" BSP	Foot	•	2620-252	SK20-05	2442	673-0001	SP2700-05	SP1002-02
2620-255	UK	20	3/8" BSP	Foot	•		SK20-05	2995-0030	673-0001	SP2700-05	SP1002-02
2620-271	UK	20	3/8" BSP	Foot	•		SK20	2995-0030	673-0001	SP2700-05	SP1002-02
2620-281	UK	20	3/8" BSP	Foot	•	2620-252	SK20	2995-0030	673-0001	SP2700-05	SP1002-02
2620-0001	USA	20	3/8" NPT	Foot			90020-0001	2995-0000	18673-0001	92700-0050	91002-0020
2620-0003	USA	20	3/8" NPT	Foot			90020-0003	2995-0000	18673-0003	92700-0050	91002-0020
2620-0051	USA	20	3/8" NPT	Foot			90020-0001	2995-0000	18673-0001	92700-0050	91002-0020
2620-0053	USA	20	3/8" NPT	Foot			90020-0003	2995-0000	18673-0003	92700-0050	91002-0020
2620-1001	USA	20	3/8" NPT	Foot			90020-0001	18753-0125	18673-0001	92700-0050	91002-0020
2620-1003	USA	20	3/8" NPT	Foot			90020-0003	18753-0125	18673-0003	92700-0050	91002-0020
2760-0001	USA	10	1/4" NPT	Foot			90020-0003	1189-0000	4528-0001	92700-0110	91002-0010
2760-0003	USA	20	1/4" NPT	Foot			90023-0001	1189-0000	4528-0003	92700-0110	91002-0010
3110-0001	USA	200	2" Flanged	Flange			90019-0001	816-0000	17935-0001	6408-0000	91006-0090
3110-0011	USA	200	2" Flanged	Flange			90019-0001	816-0000	17935-0001	6408-0000	91006-0090
3190-0001	USA	80					–	890-0000	17937-0001	92700-0070	91003-0010
3200-0011	USA	500	2" NPT	Foot			90029-0001	3209-0000	2999-0001	3222-0000	91006-0050
3200-01	USA	500	2" BSP	Foot	•		SK29	3209	2999-0001	9309	SP1006-05
3200-0011	USA	500	2" NPT	Foot			90029-0001	3209-0000	2999-0001	3222-0000	91006-0050
3240-0011	UK	200	2" Flanged	Flange			90019-0001	816-0000	17935-0001	6408-0000	91095-0060
3240-1001	UK	200	2" Flanged	Flange			90019-0001	816-0000	17935-0001	6408-0000	91095-0060

GENERAL PARTS LISTING										
5	6	7	8	9	10	11	12	13	14	
CAM	CAM SCREW	PUMP END OIL SEAL	PUMP END BEARING	DRIVE END OIL SEAL	DRIVE END BEARING	SHAFT	WEARPLATE	END COVER	BODY	
934-0000	91004-0090	913-1000	92600-0060	–	–	6718-0001	4156-0000	11831-0000	798-0030	
934-0000	91004-0090	913-0000	92600-0060	–	–	6718-0001	4156-0000	11831-0000	798-0030	
934-0000	91004-0090	913-0000	92600-0060	–	–	6718-0001	4156-0000	11831-0000	798-0030	
934-0000	91004-0090	913-0000	92600-0060	–	–	6718-0001	4156-0000	11831-0000	798-0030	
834-0001	91005-0040	817-0000	92600-0040	–	–	2567-0000	2574-0000	12062-0000	–	
834-0001	91005-0040	817-0000	SP2700-50	–	–	2567-0000	2574-0000	12062-0000	–	
834	SP1005-04	–	SP2700-50	–	SP2600-04	21238	2574	9336	–	
834-0001	91005-0040	817-0000	92600-0040	–	–	2567-0000	2574-0000	12062-0000	–	
2551-0000	91005-0040	817-0000	92600-0040	–	–	2567-0000	2574-0000	12062-0000	–	
2551-0000	91005-0040	817-0000	92600-0040	–	–	2567-0000	2574-0000	12062-0000	–	
834-0001	91005-0040	817-0000	92600-0040	–	–	2567-0000	2574-0000	12062-0000	–	
834-0001	91005-0040	817-0000	92600-0040	–	–	2567-0000	2574-0000	12062-0000	–	
2907-0001	SP1002-09	–	–	–	SP2600-09	688-21-24	–	3992	2438-200	
2907-0001	SP1002-09	–	–	–	SP2600-09	688-21-24	–	3992	2438-200	
2907-0001	SP1002-09	–	–	–	SP2600-09	355-07-24	–	3992	2438-200	
2907-0001	SP1002-09	–	–	–	SP2600-09	688-21	–	3992	2438-200	
2907-0001	SP1002-09	–	–	–	SP2600-09	355-07-24	–	3992	2438-200	
2907-0001	SP1002-09	–	–	–	SP2600-09	355-07-24	–	3992	2438-200	
2441	SP1002-01	–	–	–	SP2600-09	355-07-24	–	2623-254	2438-200	
2441	SP1010-06	–	–	–	SP2600-09	355-07-24	–	3992	2438-200	
2907-0001	SP1002-09	–	–	–	SP2600-09	355-07-24	–	3992	2438-200	
2907-0001	SP1002-09	–	–	–	SP2600-09	355-07-24	–	3992	2438-200	
2907-0000	91002-0090	3078-0000	92600-0330	–	–	688-0240	–	11830-0000	2438-0000	
2907-0000	91002-0090	3078-0000	92600-0330	–	–	688-0240	–	11830-0000	–	
2907-0000	91002-0090	3078-0000	92600-0330	–	–	688-0240	–	11830-0000	2438-0000	
2907-0000	91002-0090	3078-0000	92600-0330	–	–	688-0240	–	11830-0000	2438-0000	
2907-0001	91002-0090	–	92600-0130	–	92600-0130	18753-0124	–	11830-0000	18753-0122	
2907-0001	91002-0090	–	92600-0130	–	92600-0130	18753-0124	–	11830-0000	18753-0122	
4271-0000	91002-0030	1041-0000	92600-0080	–	–	1053-0000	–	12066-0000	2767-0000	
4271-0000	91002-0030	1041-0000	92600-0080	–	–	1053-0000	–	12066-0000	2767-0000	
834-0001	91005-0040	817-0000	92600-0040	–	–	2567-0000	2574-0000	12062-0000	Not for Sale	
834-0001	91005-0040	817-0000	92600-0040	–	–	2567-0000	2574-0000	12062-0000	Not for Sale	
7873-0000	91003-0020	913-0000	92600-0060	914-0000	–	Obsolete	7868-0000	11831-0000	Obsolete	
3210-0000	91006-0030	3214-0000	92600-0160	–	92600-0150	3207-0000	3211-0000	12069-0000	3204-0000	
3210	SP1006-03	SP2701-21	SP2600-16	SP2700-58	SP2600-15	3207	9316	9448	9444	
3210-0000	91006-0030	3214-0000	92600-0160	3213-0000	92600-0150	3207-0000	3211-0000	12069-0000	3204-0000	
834-0001	91005-0040	817-0000	92600-0040	–	–	2567-0000	2574-0000	12062-0000	Proprietary	
834-0001	91095-0040	817-0000	92600-0040	–	–	2567-0000	2574-0000	12062-0000	Proprietary	

# 13 Service Parts

FLEXIBLE IMPELLER PUMP SPARES BY PUMP MODEL



JABSCO PUMP DETAILS							SERVICE KIT LISTING				
MODEL NUMBER *OEM ONLY	UK/ USA	PUMP SIZE	PORT TYPE	MOUNT TYPE	OBSOLETE	ALTERNATE PUMP NUMBER	PART KEY	1	2	3	4
							KIT NUMBER	GASKET/ O-RING	IMPELLER	WATER SEAL	END COVER SCREWS
3270-0000	UK	40	3/4" BSP	Flange	•		SK33	3298	1210-0001	SP2701-21	SP1002-02
3270-0001	USA	40	3/4" NPT	Flange			90033-0001	3298-0000	1210-0001	92700-0060	91002-0020
3270-1951	UK	40	3/4" BSP	Flange	•		SK33	3298	1210-0001	SP2701-21	SP1002-02
3270-20	UK	40	3/4" BSP	Flange	•		SK33	3298	1210-0001	SP2701-21	SP1002-02
3270-200	UK	40	3/4" BSP	Flange	•	29500-1001	SK271	3298	1210-0001	SP2701-21	SP1002-02
3270-205	UK	40	3/4" BSP	Flange	•		SK33	3298	1210-0001	SP2701-21	SP1002-02
3270-2101	UK	40	3/4" BSP	Flange	•		SK271	3298	1210-0001	SP2701-21	SP1002-02
3270-2301	UK	40	3/4" BSP	Flange	•		SK33	3298	1210-0001	SP2701-21	SP1002-02
3270-2401	UK	40	3/4" BSP	Flange	•		SK33	3298	1210-0001	SP2701-21	SP1002-02
3270-241	UK	40	3/4" BSP	Flange	•		SK271	3298	1210-0001	SP2701-21	SP1002-02
3270-251	UK	40	3/4" BSP	Flange	•		SK33	3298	1210-0001	SP2701-21	SP1002-02
3270-261	UK	40	3/4" BSP	Flange	•		SK33	3298	1210-0001	SP2701-21	SP1002-02
3270-271	UK	40	3/4" BSP	Flange	•		SK271	3298	1210-0001	SP2701-21	SP1002-02
3270-2801	UK	40	3/4" BSP	Flange	•		SK271	3298	1210-0001	SP2701-21	SP1002-02
3280-200	UK	40	3/4" BSP	Flange	•		SK33	3298	1210-0001	SP2701-21	SP1002-02
3370-200	UK	40	3/4" BSP	Flange	•	9970-200	SK33	3298	1210-0001	SP2701-21	SP1002-02
3370-201	UK	40	3/4" BSP	Flange	•		SK33	3298	1210-0001	SP2701-21	SP1002-02
3370-221	UK	40	3/4" BSP	Flange	•		SK33	3298	1210-0001	SP2701-21	SP1002-02
3370-241	UK	40	3/4" BSP	Flange	•		SK33	3298	1210-0001	SP2701-21	SP1002-02
3370-251	UK	40	3/4" BSP	Flange	•	9970-261	SK33	3298	1210-0001	SP2701-21	SP1002-02
3370-271	UK	40	3/4" BSP	Flange	•		SK33	3298	1210-0001	SP2701-21	SP1002-02
3380-0001	USA	40	1/2" NPT	Flange			90033-0001	5212-0000	1210-0001	92700-0060	91002-0020
3380-200	UK	40	3/4" BSP	Flange	•	9970-200	SK33	3298	1210-0001	SP2701-21	SP1002-02
3380-221	UK	40	1/2" BSP	Flange	•	9970-200	SK33	3298	1210-0001	SP2701-21	SP1002-02
3570	UK	200	1-3/4" Flanged	Flange			SK375-0101	816	17935-0001	21849	SP1005-04
3570-0001	UK	200	1-1/2" Flanged	Flange			90019-0001	816-0000	17935-0001	6408-0000	91095-0060
3590-9001	UK	80	1-3/4" Flanged	Flange			90118-0001	2432-0000	17937-0001	96080-0080	91003-0010
3890-9011	UK	40	3/4" NPT	Foot			90111-0011	3298-0000	1210-0001	96080-0080	91000-0020
4160	UK	80	Ø 32 Hose	Flange	•		–	–	–	–	–
4330-01	UK	80	Ø 32 Hose/ Flange	Flange	•		–	–	–	–	–
4360	UK	200	1-1/2" Flanged	Flange	•		SK230	816	836-0001	21849	SP1005-04
4410	UK	40	1/2" BSP	Flange	•		SK242	4908	4568-0001	SP2701-01	SP6060-02
4530-0001	USA	10	1/4" NPT	Foot			90001-0001	1126-0000	4528-0001	4539-0000	91002-0010
4530-0003	USA	10	1/4" NPT	Foot			90001-0003	1126-0000	4528-0003	4539-0000	91002-0010
4540-0001	USA	20	3/8" NPT	Foot			90002-0001	2995-0000	4527-0001	4549-0000	91002-0010
4540-0003	USA	20	3/8" NPT	Foot			90002-0003	2995-0000	4527-0003	4549-0000	91002-0010
4560-0001	USA	40	1/2" NPT	Foot			90003-0001	7083-0000	4568-0001	3791-0000	91002-0020
4560-0003	USA	40	1/2" NPT	Foot			90003-0003	7083-0000	4568-0003	3791-0000	91002-0020
4590-0001	USA	80	3/4" NPT	Foot			90004-0001	706-0010	4598-0001	3791-0000	91003-0010

GENERAL PARTS LISTING										
5	6	7	8	9	10	11	12	13	14	
CAM	CAM SCREW	PUMP END OIL SEAL	PUMP END BEARING	DRIVE END OIL SEAL	DRIVE END BEARING	SHAFT	WEARPLATE	END COVER	BODY	
7876	SP1003-01	SP2701-21	SP2600-01	SP2700-58	SP2600-01	3277	7883	3275	3274	
7884-0000	91003-0010	92700-0180	92600-0070	–	–	3277-0000	–	11830-0000	3274-0000	
10538	SP1003-09	SP2701-21	SP2601-0451	–	SP2601-0451	23396-0000	Assy 5211	3992	3274-200	
7876	SP1003-01	SP2701-21	SP2600-07	–	–	3277	7883	3992	3274-200	
7876	SP1003-01	SP2701-21	SP2600-07	–	–	3277	7883	3992	3274-200	
10538	SP1003-09	SP2701-21	SP2600-07	–	–	3277	Assy 5211	3992	3274-200	
7876	SP1003-01	SP2701-21	SP2600-07	–	–	3277	7883	3992	3274-2100	
7876	SP1003-01	SP2701-21	SP2600-07	–	–	3277	7883	3992	3274-2100	
7876	SP1003-01	SP2701-21	SP2600-07	–	–	3277	7883	3992	3274-2100	
7876	SP1003-01	SP2701-21	SP2600-07	–	–	3277	7883	3992	3274-200	
7876	SP1003-01	SP2701-21	SP2600-07	–	–	3277	Assy 7884	3992	3274-200	
7876	SP1003-01	SP2701-21	SP2600-07	–	–	3277	Assy 7884	3992	3274-200	
7876	SP1003-01	SP2701-21	SP2600-07	–	–	3277	7883	3992	3274-200	
7876	SP1003-01	SP2701-21	SP2601-0451	–	SP2601-0451	23027-0000	7883	3992	3274-200	
10538	SP1003-09	SP2701-21	SP2600-07	–	–	3277	7883	3992	3284-200	
7876	SP1003-01	SP2701-21	SP2600-13	–	SP2600-13	5857	Assy 7884	3992	3274-200	
10538	SP1003-09	SP2701-21	SP2600-13	–	SP2600-13	5857	7883	3992	3274-201	
7876	SP1003-01	SP2701-21	SP2600-13	–	SP2600-13	3277-21	Assy 7884	3992	3274-200	
10538	SP1003-09	SP2701-21	SP2600-13	–	SP2600-13	5857	7883	3992	3274-200	
Assy 7884	SP1003-01	SP2701-21	SP2600-13	–	SP2600-13	9647	Assy 7884	3992	3274-251	
Assy 7884	SP1003-01	SP2701-21	SP2600-13	–	SP2600-13	5857	Assy 7884	3992	3274-200	
5211-0000	91003-0090	92700-0060	92600-0130	–	92600-0130	5857-0000	–	11830-0000	3384-0000	
Assy 5211	SP1003-07	SP2701-21	SP2600-13	–	SP2600-13	5857	Assy 5211	3992	3384	
Assy 5211	SP1003-07	SP2701-21	SP2600-13	–	SP2600-13	9647	Assy 5211	3992	3384	
Assy 7257	SP1005-04	SP2700-51	–	SP2700-49	SP2600-04	3577-0020	Assy 7257	9336	3574	
7256-0000	91005-0040	818-0000	92600-0040	–	–	3577-0000	2574-0000	12062-0000	Obsolete	
7957-0000	91004-0090	92700-0200	92600-0060	–	–	Obsolete	7957-0000	Obsolete	Obsolete	
7884-0000	91003-0010	92700-0180	92600-0070	–	–	3897-9000	7884-0000	11831-0000	3894-0010	
–	–	–	–	–	–	–	–	–	–	
–	–	–	–	–	–	–	–	–	–	
834	SP1005-04	SP2704-01	SP2600-20	SP2704-02	SP2600-20	4367	2574	9336	4364	
6396	SP1003-01	–	–	–	–	4417	5097	4905	4414	
4538-0000	91002-0020	–	–	–	–	4537-0000	–	11835-0000	4534-0000	
4538-0000	91002-0020	–	–	–	–	4537-0000	–	11835-0000	4534-0000	
2907-0000	91002-0020	–	–	–	–	4547-0000	–	11830-0000	4544-0000	
2907-0000	91002-0020	–	–	–	–	4547-0000	–	11830-0000	4544-0000	
490-0001	91003-0070	–	–	–	–	4567-0000	–	4565-0000	4564-0000	
490-0001	91003-0070	–	–	–	–	4567-0000	–	4565-0000	4564-0000	
17612-0000	91004-0010	–	–	–	–	4597-0000	–	4595-0000	4594-0000	

# 13 Service Parts

FLEXIBLE IMPELLER PUMP SPARES BY PUMP MODEL



JABSCO PUMP DETAILS							SERVICE KIT LISTING				
MODEL NUMBER *OEM ONLY	UK/ USA	PUMP SIZE	PORT TYPE	MOUNT TYPE	OBSOLETE	ALTERNATE PUMP NUMBER	PART KEY	1	2	3	4
							KIT NUMBER	GASKET/ O-RING	IMPELLER	WATER SEAL	END COVER SCREWS
4590-0003	USA	80	3/4" NPT	Foot			90004-0003	706-0010	4598-0003	3791-0000	91003-0010
4620-0001	USA	80	1" NPT	Foot			90004-0001	706-0010	4598-0001	3791-0000	91003-0010
4620-0003	USA	80	1" NPT	Foot			90004-0003	706-0010	4598-0003	3791-0000	91003-0010
4760	UK	20	3/4" BSP	Flange	•		SK228	2995-0030	673-0001	SP2701-04	SP1002-01
4760-01	UK	20	3/4" BSP	Flange	•		SK228	2995-0030	673-0001	SP2701-04	SP1002-01
4760-101	UK	20	3/4" BSP	Flange	•		SK228	2995-0030	673-0001	SP2701-04	SP1002-01
4760-111	UK	20	3/4" BSP	Flange	•		SK228	2995-0030	673-0001	SP2701-04	SP1002-01
4760-141	UK	20	3/4" BSP	Flange	•		SK228	2995-0030	673-0001	SP2701-04	SP1002-01
4760-151	UK	20	3/4" BSP	Flange	•		SK228	2995-0030	673-0001	SP2701-04	SP1002-01
4760-21	UK	20	3/4" BSP	Flange	•		SK228	2995-0030	673-0001	SP2701-04	SP1002-01
4760-41	UK	20	1/2" BSP	Flange	•		SK228	2995-0030	673-0001	SP2701-04	SP1002-01
4760-51	UK	20	3/4" BSP	Flange	•		SK228	2995-0030	673-0001	SP2701-04	SP1002-01
4760-61	UK	20	3/4" BSP	Flange	•		SK228	2995-0030	673-0001	SP2701-04	SP1002-01
4760-71	UK	20	3/4" BSP	Flange	•		SK228	2995-0030	673-0001	SP2701-04	SP1002-01
4760-81	UK	20	3/4" BSP	Flange	•		SK228	2995-0030	673-0001	SP2701-04	SP1002-01
4760-91	UK	20	1/2" BSP	Flange	•		SK228	2995-0030	673-0001	SP2701-04	SP1002-01
4780	UK	10	3/4" BSP	Flange	•		SK217	1126	4528-0001	SP2701-09	SP1002-01
4800-101	UK	200	1-1/2" Flanged	Flange	•		SK230	816	836-0001	21849	SP1005-04
4800-111	UK	200	1-1/2" Flanged	Flange	•	11790	SK230	816	836-0001	21849	SP1005-04
4800-161	UK	200	1-1/2" Flanged	Flange	•		SK230	816	836-0001	21849	SP1005-04
4800-171	UK	200	1-3/4" Flanged	Flange	•		SK230	816	836-0001	21849	SP1005-04
4800-21	UK	200	1-1/2" BSP	Flange	•	4800-21-01	SK230	816	836-0001	21849	SP1005-04
4800-21-01	UK	200	1-1/2" Flanged	Flange	•		SK230	816	836-0001	21849	SP1005-04
4800-41	UK	200	1-3/4" Flanged	Flange	•		SK230	816	836-0001	21849	SP1005-04
4800-51	UK	200	1-1/2" Flanged	Flange	•		SK230	816	836-0001	21849	SP1005-04
4800-53	UK	200	1-3/4" Flanged	Flange	•		SK230	816	836-0001	21849	SP1005-04
4800-54	UK	200	1-1/2" Flanged	Flange	•		SK230	816	836-0001	21849	SP1005-04
4800-71	UK	200	1-1/2" Flanged	Flange	•		SK230	816	836-0001	21849	SP1005-04
4850	UK	80	Ø 32 Hose	Flange	•	9750	–	3101	920-08	SP2700-06	SP1003-09
4860	UK	80	Ø 32 Hose	Flange	•	9760	–	3101	920-08	SP2700-06	SP1003-09
4900-01	UK	40	1/2" BSP	Foot	•		SK234	4908	4568-0001	3791	SP1003-09
4900-200	UK	40	1/2" BSP	Foot			SK234	4908	4568-0001	3791	SP1003-09
4900-201	UK	40	1/2" BSP	Foot	•		SK234	4908	4568-0001	3791	SP1003-09
4900-205	UK	40	1/2" BSP	Foot	•		SK234	4908	4568-0001	3791	SP1003-09
4900-237	UK	40	1/2" BSP	Foot	•		SK234-37	4908	4568-0003	3791	SP1003-09
5320-0011	USA	20	3/8" NPT	Foot			90044-0001	2995-0000	5616-0001	92700-0420	91002-0020



GENERAL PARTS LISTING										
5	6	7	8	9	10	11	12	13	14	
CAM	CAM SCREW	PUMP END OIL SEAL	PUMP END BEARING	DRIVE END OIL SEAL	DRIVE END BEARING	SHAFT	WEARPLATE	END COVER	BODY	
17612-0000	91004-0010	–	–	–	–	4597-0000	–	4595-0000	4594-0000	
17612-0000	91004-0010	–	–	–	–	4597-0000	–	4595-0000	4624-0000	
17612-0000	91004-0010	–	–	–	–	4597-0000	–	4595-0000	4624-0000	
4454	SP1002-09	–	–	–	–	4766	4466	3992	4764	
4454	SP1002-09	–	–	–	–	4998	4466	3992	4764	
4454	SP1002-09	–	–	–	–	4766-101	4466	3992	4764-41	
4454	SP1002-09	–	–	–	–	4766-111	4466	3992	4764	
4454	SP1002-09	–	–	–	–	4766-141	4466	3992	4764-41	
4454	SP1002-09	–	–	–	–	4766-151	4466	3992	4764	
4454	SP1002-09	–	–	–	–	4766-21	4466	3992	4764	
4454	SP1002-09	–	–	–	–	4766	4466	3992	4764-41	
4454	SP1002-09	–	–	–	–	4766	4466	3992	4764-41	
4454	SP1002-09	–	–	–	–	4767-61	4466	3992	4764-41	
4454	SP1002-09	–	–	–	–	4766-71	4466	3992	4764-71	
4454	SP1002-09	–	–	–	–	4766-81	4466	3992	4674	
4454	SP1002-09	–	–	–	–	4766-91	4466	3992	4674	
AL8-01	SP1002-01	–	–	–	–	Assy 4787	–	AL6-200	4784	
2551	SP1005-05	SP2700-51	–	–	SP2600-03	4338-07	2574	9336	4804-01	
834	SP1005-04	SP2700-51	–	–	SP2600-03	4338-07	2574	9336	4804-01	
834	SP1005-04	SP2700-51	–	–	SP2600-03	4388	2574	4807-161	4804-01	
2551	SP1005-05	SP2700-51	–	–	SP2600-03	4388	2574	4807-181	4804	
2551	SP1005-05	SP2700-51	–	–	SP2600-18	4388-07	2574	9336	4804	
2551	SP1005-05	SP2700-51	–	–	SP2600-18	4388-07	2574	9336	4804	
834	SP1005-04	SP2700-51	–	–	SP2600-18	4388-07	2574	9336	4804	
2551	SP1005-05	SP2700-51	–	–	SP2600-18	4388	2574	4807-51	4804-01	
834	SP1005-04	SP2700-51	–	–	SP2600-03	4388-53	2574	9336	4804-01	
834	SP1005-04	SP2700-51	–	–	SP2600-18	4388-07	2574	9336	4804-01	
834	SP1005-04	SP2700-51	–	–	SP2600-03	4388-07	2574	9336	4804-01	
5418	SP1003-09	SP2700-07	SP2601-19	–	SP2601-04	4857	5419	4855	4854	
5418	SP1003-09	SP2700-07	SP2600-07	–	SP2600-01	4867	5419	4855	4854	
490b	SP1003-07	–	–	–	–	C10	–	4905	4904	
490	SP1003-07	–	–	–	–	C10-01	–	4905	4904-200	
490	SP1003-07	–	–	–	–	C10-01	–	4905	4904-200	
10336	SP1003-10	–	–	–	–	C10-01	–	4905	4904-200	
490	SP1003-07	–	–	–	–	C10-01	–	4905	4904-200	
7895-0000	91002-0090	–	–	–	–	6020-0000	–	11830-0000	4484-0000	

# 13 Service Parts

FLEXIBLE IMPELLER PUMP SPARES BY PUMP MODEL



JABSCO PUMP DETAILS							SERVICE KIT LISTING				
MODEL NUMBER *OEM ONLY	UK/ USA	PUMP SIZE	PORT TYPE	MOUNT TYPE	OBSOLETE	ALTERNATE PUMP NUMBER	PART KEY	1	2	3	4
							KIT NUMBER	GASKET/ O-RING	IMPELLER	WATER SEAL	END COVER SCREWS
5330-9001	USA	80	1" NPT	Foot			90118-0001	3101-0000	17937-0001	96080-0080	91003-0010
5330-9101	USA	80	1" NPT	Foot			90118-0001	890-0000	17937-0001	96080-0080	91003-0010
5400-205	UK	80	1-3/4" BSP	Foot	•	52200-2051	SK406-0001	890	17937-0001	–	–
5460	UK	20	3/8" BSP	Flange	•		–	5466	673-0001	SP2701-04	SP1011-01
5560-0001	USA	40	1" NPT	Flange			90051-0001	3298-0000	1210-0001	92700-0060	91002-0020
5640	UK	20			•		SK228	2995-0030	673-0001	SP2701-04	SP1003-01
5660-0001	USA	40	1/2" NPT	Flange			90051-0001	3298-0000	1210-0001	92700-0060	91002-0020
5840-0000	UK	80					90010-0001	3101-0000	17937-0001	92700-0060	91003-0010
5850-0001	UK	40	3/4" NPT	Flange			SK33	3298	12104-0001	SP2701-21	SP1002-02
5850-0001	USA	40	3/4" NPT	Flange			90033-0001	3298-0000	12104-0001	92700-0060	91002-0020
5870	UK	5	1/2" BSP	Flange	•		–	5878	12104-0001	SP2701-09	SP1002-09
6030-21	UK	80	1" Flanged	Flange	•		SK236	890	17937-0001	SP2701-21	SP1003-09
6030-41	UK	80	1" Flanged	Flange	•		SK236	890	17937-0001	SP2701-21	SP1003-09
6030-61	UK	80	1" Flanged	Flange	•		SK236	890	17937-0001	SP2701-21	SP1003-09
6030-71	UK	80	1" Flanged	Flange	•		SK236	890	17937-0001	SP2701-21	SP1003-09
6330	UK	80	Ø 32 Hose/ Flange	Flange	•		SK237	890	4325-0480	SP2701-06	SP1003-11
6400-0001	USA	200	1-1/4" NPT	Foot			90062-0001	816-0000	17935-0001	6407-0010	91005-0040
6400-0004	USA	200	1-1/4" NPT	Foot			90062-0001	816-0000	17935-0001	6407-0010	91005-0040
6400-0051	USA	200	1-1/4" NPT	Foot			90062-0001	816-0000	17935-0001	6407-0010	91005-0040
6400-1051	USA	200	1-1/4" NPT	Foot			90062-0001	816-0000	17935-0001	6407-0010	91005-0040
6400-200	UK	200	1-1/4" BSP	Foot	•	52200-2001	SK230	816	836-0001	21849	SP1005-04
6400-205	UK	200	1-1/4" BSP	Foot	•	52200-2051	SK230	816	836-0001	21849	SP1005-04
6400-207	UK	200	1-1/4" BSP	Foot	•	52200-2001	SK230	816	836-0001	21849	SP1005-04
6420-0101	USA	80	1" NPT	Foot	•	52220-0011	SK236	890	17937-0001	SP2701-21	SP1003-09
6420-200	UK	80	1" BSP	Foot	•	52080-2001	SK236	890	17937-0001	SP2701-21	SP1003-09
6420-2001	UK	80	1" BSP	Foot	•	52080-2001	SK385-0201	890	17937-0001	SP2700-1027	SP1003-09
6420-204	UK	80	1" BSP	Foot	•	52080-2041	SK236	890	17937-0001	SP2701-21	SP1003-09
6420-2041	UK	80	1" BSP	Foot	•	52080-2041	SK385-0201	3101	17937-0001	SP2700-1027	SP1003-09
6420-205	UK	80	1" BSP	Foot	•	52080-2051	SK236	890	17937-0001	SP2701-21	SP1003-09
6420-2051	UK	80	1" BSP	Foot	•	52080-2051	SK385-0201	2432	17937-0001	SP2700-1027	SP1003-09
6490-122	UK	40	1/2" BSP	Foot	•		SK225-01	6496	1210-0001	SP2701-21	SP1003-09
6490-123	UK	40	1/2" BSP	Foot	•		SK225-01	6496	1210-0001	SP2701-21	SP1003-09
6490-132	UK	40	1/2" BSP	Foot	•		SK225-01	6496	1210-0001	SP2701-21	SP1003-09
6490-152	UK	40	Ø 25 Hose	Foot	•		SK225-01	Use 23299 Kit to upgrade to 6490-122			
6490-153	UK	40	1/2" BSP	Foot	•		SK225-01	Use 23298 Kit to upgrade to 6490-123			
6490-200	UK	40	1/2" BSP	Foot	•		SK225-01	6496	1210-0001	SP2701-21	SP1003-09

GENERAL PARTS LISTING										
5	6	7	8	9	10	11	12	13	14	
CAM	CAM SCREW	PUMP END OIL SEAL	PUMP END BEARING	DRIVE END OIL SEAL	DRIVE END BEARING	SHAFT	WEARPLATE	END COVER	BODY	
7867-0000	91003-0010	913-0000	92600-0060	–	–	5337-0000	7868-0000	11831-0000	3784-9000	
17612-0001	91004-0090	913-0000	92600-0060	–	–	5337-0000	7868-0000	11831-0000	3784-9000	
–	–	–	–	–	–	–	–	–	–	
2907-0001	SP1002-01	–	–	–	–	5467	–	5465	5464	
7607-0000	91003-0010	913-0000	92600-0060	–	–	Obsolete	7607-0000	11830-0000	Obsolete	
4454	SP1002-01	–	–	–	–	5647	4466	–	5644	
7607-0000	91003-0010	913-0000	92600-0060	–	–	Obsolete	7607-0000	11830-0000	Obsolete	
3255-0000	91004-0090	913-0000	92600-0060	–	–	5847-0000	4156-0000	11831-0000	Proprietary	
Assy 7884	SP1003-01	SP2701-21	SP2600-13	–	SP2600-13	5857	Assy 7884	3992	5854	
7884-0000	91003-0010	92700-0060	92600-0130	–	92600-0130	5857-0000	7884-0000	11830-0000	5854-0000	
5868	SP1002-01	SP2701-09	–	–	–	5877	5876	5875	5874	
934-0000	SP1004-09	SP2701-48	–	SP2701-11	SP2600-06	6037	4156	3993	6034	
2431	SP1004-10	SP2701-48	–	SP2701-11	SP2600-06	6037	4156	3993	6034	
3255	SP1004-11	SP2701-48	–	SP2701-11	SP2600-06	6037	4156	3993	6034	
934-0000	SP1004-09	SP2700-48	–	–	SP2600-31	6037	4156	3993	6034	
4329	SP1004-09	SP2701-06	SP2600-13	SP2701-06	SP2600-13	4337	3196-01 ext	6335	6334	
834-0001	91005-0040	817-0000	92600-0040	818-0000	–	824-0020	2574-0000	12062-0000	6404-0000	
834-0001	91005-0040	817-0000	92600-0040	818-0000	–	824-0020	2574-0000	12062-0000	6404-0000	
2551-0000	91005-0050	817-0000	92600-0040	818-0000	–	824-0020	2574-0000	12062-0000	6404-0000	
2551-0000	91005-0050	817-0000	92600-0040	818-0000	–	824-2001	2574-0000	12062-0000	6404-1000	
834	SP1005-04	SP2700-50	–	SP2700-49	SP2600-04	9527	2574	9336	6404-200	
2551	SP1005-05	SP2700-50	–	SP2700-49	SP2600-04	9527	2574	9336	6404-200	
834	SP1005-04	SP2700-50	–	SP2700-49	SP2600-04	9527	2574	9336	6404-200	
934-0000	SP1004-09	SP2700-48	–	SP2700-47	SP2600-06	6718	4156	3993	6424	
934-0000	SP1004-09	SP2700-48	–	SP2700-47	SP2600-06	6718-21	4156	3993	6424	
934-0000	SP1004-09	SP2700-48	–	SP2700-47	SP2600-06	6718-21	4156	3993	6424-2200	
3255	SP1004-10	SP2700-48	–	SP2700-47	SP2600-06	6718-21	4156	3993	6424-2200	
3255	SP1004-10	SP2700-48	–	SP2700-47	SP2600-06	6718-21	4156	3993	6424-2200	
2431	SP1004-10	SP2700-48	–	SP2700-47	SP2600-06	6718-21	4156	3993	6424-2200	
2431	SP1004-10	SP2700-48	–	SP2700-47	SP2600-06	6718-21	4156	3993	6424-2200	
490	SP1003-01	–	–	–	SP2600-09	1737-207	–	3993	21634	
490	SP1003-01	–	–	–	SP2600-09	1737-207	–	3993	21634	
490	SP1003-01	–	–	–	SP2600-09	1737-207	–	3993	21634	
Use 23299 Kit to upgrade to 6490-122										
Use 23298 Kit to upgrade to 6490-123										
490	SP1003-01	–	–	–	SP2600-09	1737-24-01	–	3993	6494-200	

# 13 Service Parts

FLEXIBLE IMPELLER PUMP SPARES BY PUMP MODEL



JABSCO PUMP DETAILS							SERVICE KIT LISTING				
MODEL NUMBER *OEM ONLY	UK/ USA	PUMP SIZE	PORT TYPE	MOUNT TYPE	OBSOLETE	ALTERNATE PUMP NUMBER	PART KEY	1	2	3	4
							KIT NUMBER	GASKET/ O-RING	IMPELLER	WATER SEAL	END COVER SCREWS
6490-210	UK	40	1/2" BSP	Foot	•		SK225-01	6496	1210-0001	SP2701-21	SP1003-09
6490-222	UK	40	1/2" BSP	Foot	•		SK225-01	6496	1210-0001	SP2701-21	SP1003-09
6490-223	UK	40	1/2" BSP	Foot	•		SK225-01	6496	1210-0001	SP2701-21	SP1003-09
6490-224	UK	40	1/2" BSP	Foot	•		SK225-01	6496	1210-0001	SP2701-21	SP1003-09
6490-225	UK	40	1/2" BSP	Foot	•		SK225-01	6496	1210-0001	SP2701-21	SP1003-09
6490-231	UK	40	1/2" BSP	Foot	•		SK225-01	6496	1210-0001	SP2701-21	SP1003-09
6490-232F	UK	40	1/2" BSP	Foot	•		SK119	6496	3085-0001	SP6080-08	SP1003-09
6490-241	UK	40	1/2" BSP	Foot	•		SK225-01	Use 23299 Kit to upgrade to 6490-222			
6490-246	UK	40	1/2" BSP	Foot	•		SK225-01	Use 23299 Kit to upgrade to 6490-224			
6490-252	UK	40	1/2" BSP	Foot	•	6490-222	SK225-01	Use 23299 Kit to upgrade to 6490-222			
6490-253	UK	40	1/2" BSP	Foot	•	6490-223	SK225-01	Use 23298 Kit to upgrade to 6490-223			
6490-254	UK	40	1/2" BSP	Foot	•		SK225-01	Use 23299 Kit to upgrade to 6490-224			
6490-255	UK	40	1/2" BSP	Foot	•		SK225-01	Use 23299 Kit to upgrade to 6490-225			
6490-2901	UK	40	1/2" BSP	Foot	•		SK225-01	6496	1210-0001	SP2701-21	SP1003-09
6520-200	UK	80	1" BSP	Foot	•	51080-2001	SK236	890	17937-0001	SP2701-21	SP1003-09
6520-2003	UK	80	1" BSP	Foot	•	51080-2003	SK385-0403	890	17937-0003	SP2700-1027	SP1003-09
6520-205	UK	80	1" BSP	Foot	•		SK236	890	17937-0001	SP2701-21	SP1003-09
6520-237	UK	80	1" BSP	Foot	•	51080-2001	SK235-37	890	17937-0003	SP2701-21	SP1003-09
6520-251	UK	80	1" BSP	Foot	•	51080-2001	SK236	890	17937-0001	SP2701-21	SP1003-09
6520-51	UK	80	1" BSP	Foot	•		SK236	890	17937-0001	SP2701-21	SP1003-09
6540-200	UK	20	3/8" BSP	Foot			SK205	2995-0030	673-0001	B22	SP1002-01
6540-201	UK	20	3/8" BSP	Foot	•		SK205-01	2995-0030	673-0001	B22	SP8019-01
6540-211	UK	20	3/8" BSP	Foot	•		SK205-01	2995-0030	673-0001	B22	SP8019-01
6590-0001	USA	200	1-1/4" NPT	Foot			90062-0001	816-0000	17935-0001	6407-0010	91005-0040
6590-0003	USA	200	1-1/4" NPT	Foot			90062-0003	816-0000	836-0003	6407-0010	91005-0040
6590-0004	USA	200	1-1/4" NPT	Foot			90062-0001	816-0000	17935-0001	6407-0010	91005-0040
6590-0005	USA	200	1-1/4" NPT	Foot			90062-0003	816-0000	836-0003	6407-0010	91005-0040
6590-200	UK	200	1-1/4" BSP	Foot	•	51200-2011	SK230	816	836-0001	21849	SP1005-04
6590-237	UK	200	1-1/4" BSP	Foot	•	51200-2003	SK230-37	816	836-0003	21849	SP1005-04
6640-200	UK	10	1/4" BSP	Foot	•	52010-2001	SK23	1189	4528-0001	SP2701-14	SP1002-01
6640-205	UK	10	3/8" BSP	Foot	•	52010-2001	SK23	1189	4528-0001	SP2701-14	SP1002-01
6710	UK	20	3/4" BSP	Flange	•		SK241	2995-0030	673-0001	SP2701-04	SP1002-09
6980-0001	USA	270	2" Flanged	Flange			90065-0001	816-0000	17936-0001	6408-0000	91005-0040
6980-0002	USA	270	2" Flanged	Flange			90065-0001	816-0000	17936-0001	6408-0000	91005-0040
6980-0003	USA	270	2" Flanged	Flange			90065-0001	816-0000	17936-0001	6408-0000	91005-0040
6980-0004	USA	270	2" Flanged	Flange			90065-0001	816-0000	17936-0001	6408-0000	91005-0040
6980-0005	USA	270	2" Flanged	Flange			90065-0001	816-0000	17936-0001	6408-0000	91005-0040
6980-0006	USA	270	2" Flanged	Flange			90065-0001	816-0000	17936-0001	6408-0000	91005-0040

GENERAL PARTS LISTING									
5	6	7	8	9	10	11	12	13	14
CAM	CAM SCREW	PUMP END OIL SEAL	PUMP END BEARING	DRIVE END OIL SEAL	DRIVE END BEARING	SHAFT	WEARPLATE	END COVER	BODY
490	SP1003-01	–	–	–	SP2600-09	1737-207	–	3993	6494-200
490	SP1003-01	–	–	–	SP2600-09	1737-207	–	3993	6494-200
490	SP1003-01	–	–	–	SP2600-09	1737-207	–	3993	6494-200
10336	SP1003-09	–	–	–	SP2600-09	1737-207	–	3993	6494-200
10336	SP1003-09	–	–	–	SP2600-09	1737-207	–	3993	6494-200
10336	SP1003-09	–	–	–	SP2600-09	1737-207	–	3993	6494-200
490	SP1003-01	–	–	–	SP2600-09	1737-207	–	3993	6494-200
Use 23299 Kit to upgrade to 6490-222									
Use 23299 Kit to upgrade to 6490-224									
Use 23299 Kit to upgrade to 6490-222									
Use 23298 Kit to upgrade to 6490-223									
Use 23299 Kit to upgrade to 6490-224									
Use 23299 Kit to upgrade to 6490-225									
490	SP1003-01	–	–	–	SP2600-09	1737-207	–	3993	6494-200
934-0000	SP1004-09	SP2700-48	SP2600-06	–	SP2600-11	6718-201	4156	3993	6424-2200
934-0000	SP1004-09	SP2700-48	SP2600-06	–	SP2600-11	6718-201	4156	3993	6424-2200
2431	SP1004-10	SP2700-48	SP2600-06	–	SP2600-11	6718-201	4156	3993	6424-2200
934-0000	SP1004-09	SP2700-48	SP2600-06	–	SP2600-11	6718-201	4156	3993	6424-2200
2431	SP1004-10	SP2700-48	SP2600-06	–	SP2600-11	6718-201	4156	3993	6424-2200
934-0000	SP1004-09	SP2700-48	SP2600-06	–	SP2600-11	6718-201	4156	3993	6424-2200
2907-0001	SP1002-02	–	–	–	–	6547	–	3992	6544-200
2907-0001	SP1002-02	–	–	–	–	6547	–	3992	6544-200
2907-0001	SP1002-02	–	–	–	–	6547	–	3992	6544-200
834-0001	91005-0040	817-0000	92600-0040	–	–	824-0000	2574-0000	12062-0000	6594-0000
834-0001	91005-0040	817-0000	92600-0040	–	–	824-0000	2574-0000	12062-0000	6594-0000
834-0001	91005-0040	817-0000	92600-0040	–	–	824-0000	2574-0000	12062-0000	6594-0000
834-0001	91005-0040	817-0000	92600-0040	–	–	824-0000	2574-0000	12062-0000	6594-0000
834	SP1005-04	SP2700-50	SP2600-04	–	SP2600-09	9527-0001	2574	9336	6594-200
834	SP1005-04	SP2700-50	SP2600-04	–	SP2600-09	9527-0001	2574	9336	6594-200
2763	SP1002-03	SP2700-63	–	SP2700-62	SP2600-08	1053	2765	9566	6644-200
21233	SP1002-0234	SP2700-63	–	SP2700-62	SP2600-08	1053	2765	6645-105	6644-200
4454	SP1002-02	–	–	–	–	6717	4466	3992	4764-41
6988-0000	91005-0040	817-0000	92600-0320	–	–	6987-0000	2574-0000	12062-0000	Proprietary
6988-0000	91005-0040	817-0000	92600-0320	–	–	6987-0000	2574-0000	12062-0000	Proprietary
6988-0000	91005-0040	817-0000	92600-0320	–	–	6987-0000	2574-0000	12062-0000	Proprietary
6988-0000	91005-0040	817-0000	92600-0320	–	–	6987-0000	2574-0000	12062-0000	Proprietary
6988-0000	91005-0040	817-0000	92600-0320	–	–	6987-0000	2574-0000	12062-0000	Proprietary
6988-0000	91005-0040	817-0000	92600-0320	–	–	6987-0000	2574-0000	12062-0000	Proprietary

# 13 Service Parts

FLEXIBLE IMPELLER PUMP SPARES BY PUMP MODEL



JABSCO PUMP DETAILS							SERVICE KIT LISTING				
MODEL NUMBER *OEM ONLY	UK/ USA	PUMP SIZE	PORT TYPE	MOUNT TYPE	OBSOLETE	ALTERNATE PUMP NUMBER	PART KEY	1	2	3	4
							KIT NUMBER	GASKET/ O-RING	IMPELLER	WATER SEAL	END COVER SCREWS
6980-0011	USA	270	2" Flanged	Flange			90065-0001	816-0000	17936-0001	6408-0000	91005-0040
6980-0411	USA	270	2" Flanged	Flange			90065-0001	816-0000	17936-0001	6408-0000	91005-0040
6980-3000	USA	270	2" Flanged	Flange			90065-0001	816-0000	17936-0001	6408-0000	91005-0040
7120-9001	USA	40	3/4" / 1-1/4" Hose	Flange			90111-0001	3298-0000	1210-0001	96080-0080	91002-0020
7260-0001	USA	80	1-1/4" Flanged	Flange			–	3101-0000	17937-0001	SP2700-07	91003-0010
7320-9001	USA	40	3/4" / 1-1/4" Hose	Flange			90111-0001	3298-0000	1210-0001	96080-0080	91002-0020
7420-0001	USA	200	1-1/4" NPT	Foot			90062-0001	816-0000	17935-0001	6407-0010	91005-0040
7420-0004	UK	200	1-1/4" NPT	Foot	•	7420-0101	SK375-0101	816	17935-0001	21849	SP1005-04
7420-0004	USA	200	1-1/4" NPT	Foot			90062-0001	816-0000	17935-0001	6407-0010	91005-0040
7420-0101	USA	200	1-1/4" NPT	Foot			SK375-0101	816	17935-0001	21849	SP1005-04
7420-0101	USA	200	1-1/4" NPT	Foot			90062-0000	816-0000	17935-0001	6408-0000	91005-0040
7420-1001	USA	200	1-1/4" NPT	Foot			90062-0001	816-0000	17935-0001	6407-0010	91005-0040
7870-200	UK	200	1-1/2" BSP	Foot	•		SK230	816	836-0001	21849	SP1005-04
7870-201	UK	200	1-1/2" BSP	Foot	•		SK230	816	836-0001	21849	SP1005-04
7870-221	UK	200	1-1/2" BSP	Foot	•		SK230	816	836-0001	21849	SP1005-04
7870-231	UK	200	1-1/2" BSP	Foot	•		SK230	816	836-0001	21849	SP1005-04
7870-251	UK	200	1-1/2" BSP	Foot	•		SK230	816	836-0001	21849	SP1005-04
8150-0211	USA	80	2-1/2" Flanged	Foot			–	7478-6000	17935-0001	6408-0000	91045-0420
8170-9001	USA	80	3/4" NPT	Flange			90118-0001	3101-0000	17937-0001	96080-0080	91003-0010
8470-0711	USA	80	3/4" Hose	Flange			90177-0001	8509-0001	3085-0001	96080-0080	91003-0010
8470-0911	USA	80	3/4" Hose	Flange			90177-0001	8509-0001	3085-0001	96080-0080	91003-0010
8740F	USA	40	Dual 3/4" Hose	Flange			–	–	8444-0001(2)	–	SP1002-01
8830-0701	USA	80	1" Hose	Flange			90177-0121	8641-0000	3085-0001	92700-0060	91026-0010
8830-0711	USA	80	1" Hose	Flange			90177-0121	8641-0000	3085-0001	92700-0060	91026-0010
8850-0001	USA	5					90092-0007	7828-0000	14750-0001	93000-0100	91026-0010
8950-0001	USA	200	1-1/2" Flanged	Flange			–	816-0000	17935-0001	6408-0000	91095-0060
9040-0511	UK	5	1/2" Hose	Flange		now -1021	SK92-11	7828-01	14609-0001	SP3000-10	SP1002-09
9360	UK	10	1/4" BSP	Foot	•		SK223	1126	4528-0001	AL22	SP8019-01
9380	UK	40	3/4" BSP	Flange	•		SK33	3298	1210-0001	SP2701-21	SP1002-02
9400	UK	20	Ø 16 Hose	Flange	•		SK211	10817	673-0001	SP2701-04	SP1002-09
9400-01	UK	20	Ø 16 Hose	Flange	•		SK211	10817	673-0001	SP2701-04	SP1002-09
9400-200	UK	20	2" BSP	Foot	•		SK211	10817	673-0001	SP2701-04	SP1002-09
9430	UK	10	1/4" BSP	Flange	•	Exhaust Cooling	SK221	1126	4528-0001	SP2701-09	SP1002-01
9430-01	UK	10	1/4" BSP	Flange	•	11650-200	SK221	1126	4528-0001	SP2701-09	SP1002-01
9430-21	UK	10	1/4" BSP	Flange	•		SK221	1126	4528-0001	SP2701-09	SP1002-01
9430-211	UK	10	1/4" BSP	Flange	•	29300-2601C	SK221	1126	4528-0001	SP2701-09	SP1002-01
9430-51	UK	10	1/4" BSP	Flange	•		SK221	1126	4528-0001	SP2701-09	SP1002-01
9480-01	UK	500	2" BSP	Foot	•		SK29	3209	2999-0001	3222	SP1006-05

GENERAL PARTS LISTING										
5	6	7	8	9	10	11	12	13	14	
CAM	CAM SCREW	PUMP END OIL SEAL	PUMP END BEARING	DRIVE END OIL SEAL	DRIVE END BEARING	SHAFT	WEARPLATE	END COVER	BODY	
6988-0000	91005-0040	817-0000	92600-0320	–	–	6987-0000	2574-0000	12062-0000	Proprietary	
6988-0000	91005-0040	817-0000	92600-0320	–	–	6987-0000	2574-0000	12062-0000	Proprietary	
6988-0000	91005-0040	817-0000	92600-0320	–	–	6987-0000	2574-0000	12062-0000	Proprietary	
7607-0000	91003-0010	913-0000	92600-0060	–	–	7127-0000	7607-0000	11830-0000	Obsolete	
7874-0000	91003-0020	913-0000	92600-0060	–	–	7267-0000	7874-000000	11831-0000	Obsolete	
7607-0000	91003-0010	913-0000	92600-0060	–	–	7127-0000	7607-0000	11830-0000	Obsolete	
834-0001	91005-0040	817-0000	92600-0040	818-0000	–	824-0020	2574-0000	12062-0000	7424-0000	
834	SP1005-04	817	SP2600-04	818	–	824	2574	7425	7424	
834-0001	91005-0040	817-0000	92600-0040	818-0000	–	824-0020	2574-0000	12062-0000	7424-0000	
834	SP1005-04	SP2700-50	SP2600-04	SP2700-49	–	9527	2574	9336	7424-0100	
834-0001	91005-0040	817-0000	92600-0040	818-0000	–	824-0020	2574-0000	12062-0000	Proprietary	
834-0001	91005-0040	817-0000	92600-0040	818-0000	–	824-2001	2574-0000	12062-0000	7424-0000	
834	SP1005-04	SP2700-50	SP2600-04	–	SP2600-09	9527-0001	2574	9336	6594-200	
834	SP1005-04	SP2700-50	SP2600-04	–	SP2600-09	9807-201	2574	9336	6594-200	
834	SP1005-04	SP2700-50	SP2600-04	–	SP2600-09	9527-0001	2574	9336	6594-200	
834	SP1005-04	SP2700-50	SP2600-04	–	SP2600-09	9807-201	2574	9336	6594-200	
834	SP1005-04	SP2700-50	SP2600-04	–	SP2600-09	9807-201	2574	9336	6594-200	
7486-0010	91012-0020	817-0000	92600-0040	92700-0740	92600-0040	Proprietary	7476-0000	12073-0010	Proprietary	
3255-0000	91004-0110	913-0000	92600-0060	–	–	Obsolete	4156-0000	11831-0000	Obsolete	
8528-0000	91003-0010	93000-0090	92600-0350	–	–	Obsolete	8493-0000	12065-0000	Obsolete	
8528-0000	91003-0010	93000-0090	92600-0350	–	–	Obsolete	8493-0000	12065-0000	Obsolete	
6148	–	–	–	–	–	–	–	–	–	
8528-0000	91030-0110	93000-0070	92600-0070	–	–	Obsolete	8493-0000	Obsolete	Obsolete	
8528-0000	91030-0110	93000-0070	92600-0070	–	–	Obsolete	8493-0000	Obsolete	Obsolete	
8528-0000	91030-0110	93000-0070	92600-0070	–	–	Obsolete	8493-0000	Obsolete	Obsolete	
834-0001	91005-0040	694-0000	92600-0040	–	–	8957-0000	2574-0000	12062-0000	8954-0000	
8089	SP1002-01	–	–	–	–	–	–	12076	9044	
AL8-01	SP1002-02	–	–	–	–	AL10	–	AL6-200	AL4-200	
3269	SP1003-01	SP2701-21	SP2600-13	–	SP2600-13	5857	3266	3991	3374-200	
2907-0001	SP1002-09	–	–	–	–	9407	–	9406	9404	
2907-0001	SP1002-09	–	–	–	–	9407	–	9406-01	9404-01	
2907-0001	SP1002-09	–	–	–	–	9407	–	9406-01	9404-01	
AL8	SP1002-09	–	–	SP2701-09	–	9436	–	AL6-200	4784	
AL8	SP1002-09	–	–	SP2701-09	–	10303	–	AL6-200	10302	
AL8	SP1002-09	–	–	SP2701-09	–	10467	–	AL6-200	4784	
AL8	SP1002-09	–	–	SP2701-09	–	22287	–	AL6-200	4784	
AL8-01	SP1002-02	–	–	SP2701-09	–	9436	–	9435-51	4784	
9446	SP1006-03	SP2700-59	SP2600-16	SP2700-58	SP2600-15	3207	9316	9448	9444	

# 13 Service Parts

FLEXIBLE IMPELLER PUMP SPARES BY PUMP MODEL



JABSCO PUMP DETAILS							SERVICE KIT LISTING				
MODEL NUMBER *OEM ONLY	UK/ USA	PUMP SIZE	PORT TYPE	MOUNT TYPE	OBSOLETE	ALTERNATE PUMP NUMBER	PART KEY	1	2	3	4
							KIT NUMBER	GASKET/ O-RING	IMPELLER	WATER SEAL	END COVER SCREWS
9560	UK	10	3/8" BSP	Flange	•		SK23	1189	4528-0001	SP2701-14	SP1002-01
9700	UK	80	1" Flanged	Flange	•		SK238	890	17937-0001	22645-0000	SP1003-01
9700-01	UK	80	1" Flanged	Flange			SK238	890	17937-0001	22645-0000	SP1003-01
9700-04	UK	80	1" Flanged	Flange			SK238-01	3101	17937-0001	22645-0000	SP1003-01
9700-05	UK	80	1" Flanged	Flange			SK238-21	2432	17937-0001	22645-0000	SP1003-01
9700-101	UK	80	1" BSP	Flange	•	9700-04	SK238	890	17937-0001	22645-0000	SP1003-01
9700-131	UK	80	1" Flanged	Flange			SK238	890	17937-0001	22645-0000	SP1003-01
9700-132	UK	80	1" Flanged	Flange			SK238	890	17937-0001	22645-0000	SP1003-01
9700-141	UK	80	1" Flanged	Flange	•	9700-04	SK238	890	17937-0001	22645-0000	SP1003-01
9700-151	UK	80	1" Flanged	Flange			SK238-01	3101	17937-0001	22645-0000	SP1003-01
9700-162	UK	80	1" Flanged	Flange			SK238	890	17937-0001	22645-0000	SP1003-01
9700-171	UK	80	1" Flanged	Flange	•		SK238	890	17937-0001	22645-0000	SP1003-01
9700-181	UK	80	1" Flanged	Flange	•		SK238	890	17937-0001	22645-0000	SP1003-01
9700-21	UK	80	1" Flanged	Flange	•	29600-1001	SK238	890	17937-0001	22645-0000	SP1003-01
9700-241	UK	80	3/4" BSP	Flange	•		SK238	890	17937-0001	22645-0000	SP1003-01
9700-41	UK	80	1" Flanged	Flange			SK238-21	2432	17937-0001	22645-0000	SP1003-01
9700-51	UK	80	1" Flanged	Flange			SK238	890	17937-0001	22645-0000	SP1003-01
9700-61	UK	80	1" Flanged	Flange	•		SK238	890	17937-0001	22645-0000	SP1003-01
9700-71	UK	80	1" Flanged	Flange	•		SK238	890	17937-0001	22645-0000	SP1003-01
9710	UK	80	1" NPT	Foot	•	9710-200	SK229	890	17937-0001	22617-0010	SP1003-09
9710-200	UK	80	1" BSP	Foot			SK229	890	17937-0001	22617-0010	SP1003-09
9710-201	UK	80	1" BSP	Foot	•		SK229	890	17937-0001	22617-0010	SP1003-09
9710-204	UK	80	1" BSP	Foot	•		SK229	890	17937-0001	22617-0010	SP1003-09
9710-205	UK	80	1" BSP	Foot			SK229-01	2432	17937-0001	22617-0010	SP1003-09
9710-210	UK	80	1" BSP	Foot	•		SK229	890	17937-0001	22617-0010	SP1003-09
9730	UK	80	Ø 32 Hose	Flange	•		SK269	890-01	17937-0001	22626-0000	SP1003-09
9750	UK	80	Ø 32 Hose	Flange	•		SK269	3101-01	17937-0001	22626-0000	SP1003-09
9760	UK	80	Ø 32 Hose	Flange	•		SK269	890-01	17937-0001	22626-0000	SP1003-09
9770-200	UK	80	3/4" BSP	Barrel	•		SK229	890	17937-0001	22626-0000	SP1003-09
9770-205	UK	80	3/4" BSP	Barrel	•		SK229	890	17937-0001	22626-0000	SP1003-09
9900	UK	20	Ø 16 Hose	Foot	•	29470-2231C	SK211	10817	673-0001	SP2701-04	SP1002-09
9900-0001	USA	20	5/8" Hose	Flange			90211-0001	10187-0000	18673-0001	92701-0040	91002-0090
9970-200	UK	40	3/4" BSP	Flange			SK229	3298	1210-0001	22617-0010	SP1002-02
9970-204	UK	40	3/4" BSP	Flange			SK239	3298	1210-0001	22617-0010	SP1002-02
9970-241	UK	40	3/4" BSP	Flange		Direct Cooling	SK241	3298	1210-0001	22617-0010	SP1002-02
9970-241-37	UK	40	3/4" BSP	Flange			SK239-37	3298	1210-0003	22617-0010	SP1002-02
9970-251	UK	40	3/4" BSP	Flange	•	9970-241	SK239	3298	1210-0001	22617-0010	SP1002-02
9970-261	UK	40	3/4" BSP	Flange			SK239	3298	1210-0001	22617-0010	SP1002-02
9970-271	UK	40	3/4" BSP	Flange	•	9970-200	SK239	3298	1210-0001	22617-0010	SP1002-02
9970-281	UK	40	3/4" BSP	Flange			SK239	3298	1210-0001	22617-0010	SP1002-02
9990-200	UK	40	3/4" NPT	Barrel	•		SK239	3298	1210-0001	22617-0010	SP1002-02



GENERAL PARTS LISTING										
5	6	7	8	9	10	11	12	13	14	
CAM	CAM SCREW	PUMP END OIL SEAL	PUMP END BEARING	DRIVE END OIL SEAL	DRIVE END BEARING	SHAFT	WEARPLATE	END COVER	BODY	
2763	SP1002-03	–	–	–	–	Contact Manufacturer	2765	9566	9564	
3255	SP1004-11	SP2700-48	–	–	SP2600-06	9707	4156	3993	9704	
934-0000	SP1004-09	SP2700-48	–	–	SP2600-06	9707	4156	3993	9704-01	
3255	SP1004-11	SP2700-48	–	–	SP2600-06	9707	4156	3993	9704-01	
2431	SP1004-10	SP2700-48	–	–	SP2600-06	9707	4156	3993	9704-01	
2431	SP1004-10	SP2700-48	–	SP2701-11	SP2600-06	9707	4156	3993	9704-01	
934-0000	SP1004-09	SP2700-48	–	–	SP2600-06	9707-31	4156	3993	9704-31	
934-0000	SP1004-09	SP2700-48	–	–	SP2600-06	9707-31	4156	3993	9704-32	
934-0000	SP1004-09	SP2700-48	–	–	SP2600-06	9707	4156	3993	9704-01	
3255	SP1004-11	SP2700-48	–	–	SP2600-06	9707	4156	3993	9704-01	
934-0000	SP1004-09	SP2700-48	–	–	SP2600-06	21635-0010	4156	3993	9704-0010	
3255	SP1004-11	SP2700-48	–	–	SP2600-06	9707	4156	3993	9704	
934-0000	SP1004-09	SP2700-48	–	–	SP2600-06	9707	4156	3993	9704	
934-0000	SP1004-09	SP2700-48	–	SP2701-11	SP2600-06	9707	4156	3993	9704-01	
–	–	–	–	–	–	–	–	–	–	
2431	SP1004-10	SP2700-48	–	SP2701-11	SP2600-06	9707	4156	3993	9704-01	
934-0000	SP1004-09	SP2700-48	–	–	SP2600-06	9707-01	4156	3993	9704-51	
3255	SP1004-11	SP2700-48	–	SP2701-11	SP2600-06	9707	4156	3993	9704	
934-0000	SP1004-09	SP2700-48	–	–	SP2600-06	9707	4156	3993	9704-01	
934-0000	SP1004-09	SP2701-21	SP2600-38	SP2700-47	SP2600-38	9717	4156	3993	10329	
934-0000	SP1004-09	SP2701-21	SP2600-38	SP2700-47	SP2600-38	9717	4156	3993	10329-200	
3255	SP1004-11	SP2701-21	SP2600-38	SP2700-47	SP2600-38	9717	4156	3993	10329-200	
3255	SP1004-10	SP2701-21	SP2600-38	SP2700-47	SP2600-38	9717	4156	3993	10329-200	
2431	SP1004-10	SP2701-21	SP2600-38	SP2700-47	SP2600-38	9717	4156	3993	10329-200	
3255	SP1004-11	SP2701-21	SP2600-38	SP2700-47	SP2600-38	9717	4156	3993	10329-200	
890	SP1004-09	SP2700-07	SP2600-01	–	SP2600-01	9737	4156	3993	9734	
3255	SP1004-11	SP2700-07	SP2600-01	–	SP2600-01	9757	4156	3993	9754	
934-0000	SP1004-11	SP2700-07	SP2600-01	SP2700-07	SP2600-01	9767	4156	3993	9754	
934-0000	SP1004-09	SP2701-21	SP2600-38	SP2700-47	SP2600-38	9777	4156	3993	–	
2431	SP1004-10	SP2701-21	SP2600-38	SP2700-47	SP2600-38	9777	4156	3993	–	
10818	SP1002-02	–	–	–	–	9907	–	9905	9904	
10818-0000	91002-0020	–	–	–	–	9907-0000	–	9905-0000	9904-0000	
490	SP1003-01	SP2701-21	SP2600-13	–	SP2600-13	9977	7883	3992	9974-200	
10336	SP1003-09	SP2701-21	SP2600-13	–	SP2600-13	9977	7883	3992	9974-200	
490	SP1003-01	SP2701-21	SP2600-13	–	SP2600-13	10374	7883	3992	9974-200	
490	SP1003-01	SP2701-21	SP2600-13	–	SP2600-13	10374	7883	3992	9974-200	
10336	SP1003-09	SP2701-21	SP2600-13	–	SP2600-13	10374	7883	3992	9974-200	
490	SP1003-01	SP2701-21	SP2600-13	–	SP2600-13	9977-21	7883	3992	9974-201	
10336	SP1003-09	SP2701-21	SP2600-13	–	SP2600-13	9977-21	7883	3992	9974-223	
490	SP1003-01	SP2701-21	SP2600-13	–	SP2600-13	9977	7883	3992	9974-223	
490	SP1003-01	SP2701-21	SP2601-39	SP2701-15	SP2601-39	9997	7883	3992	9974-200	

# 13 Service Parts

FLEXIBLE IMPELLER PUMP SPARES BY PUMP MODEL



JABSCO PUMP DETAILS							SERVICE KIT LISTING				
MODEL NUMBER *OEM ONLY	UK/ USA	PUMP SIZE	PORT TYPE	MOUNT TYPE	OBSOLETE	ALTERNATE PUMP NUMBER	PART KEY	1	2	3	4
							KIT NUMBER	GASKET/ O-RING	IMPELLER	WATER SEAL	END COVER SCREWS
9990-201	UK	40	3/4" NPT	Barrel	•		SK239	3298	1210-0001	22617-0010	SP1002-02
9990-21	UK	40	3/4" NPT	Barrel	•	9990-41	SK268	3298	1210-0001	22617-0010	SP1002-02
9990-41	UK	40	3/4" NPT	Barrel			SK268	3298	1210-0001	22617-0010	SP1002-02
10170-0011	USA	40	1" Hose	Flange			90133-0001	10183-0000	1210-0001	96080-0080	91003-0020
10170-0011	USA	80	1-1/4" Hose				–	10184-0000	11979-0001	–	–
10190-0011	USA	40	1" Hose				–	–	3085-0001	–	–
10490	UK	270	2" Flanged	Foot	•	52270-0011	SK254	816	21676-0001	21849	SP1005-04
10490-0201	UK	270	2" Flanged	Foot	•	50270-0911	SK254	816	21676-0001	21849	SP1005-04
10490-07	UK	270	2" Flanged	Foot	•	52270-0011	SK254	816	21676-0001	21849	SP1005-04
10490-207	UK	270	2" Flanged	Foot	•	52270-0011	SK254	816	21676-0001	21849	SP1005-04
10550-01	UK	40	3/4" NPT	Foot	•		SK239	3298	1210-0001	22626-0000	SP1002-02
10550-200	UK	40	3/4" BSP	Foot			SK239	3298	1210-0001	22626-0000	SP1002-02
10550-205	UK	40	3/4" BSP	Foot	•		SK239	3298	1210-0001	22626-0000	SP1002-02
10550-2103	UK	40	3/4" BSP	Foot	•		SK239-0003	3298	1210-0003	22626-0000	X3001-095F
10550-2701	UK	40	3/4" BSP	Foot			SK239	3298	1210-0001	22626-0000	SP1002-02
10590	UK	270	2" Flanged	Flange	•	10590-22	SK254	816	21676-0001	21849	SP1005-04
10590-0031	UK	270	2" Flanged	Flange	•	10590-0111	SK254	816	21676-0001	21849	SP1005-04
10590-0041	UK	270	2" Flanged	Flange	•	10590-0111	SK254	816	21676-0001	21849	SP1005-04
10590-01	UK	270	2" Flanged	Flange	•	11101-01-01	SK254	816	21676-0001	21849	SP1005-04
10590-0111	UK	270	2" Flanged	Flange			SK254	816	17936-0001	21849	SP1095-0640
10590-0141	UK	270	2" Flanged	Flange	•	10590-0041	SK254	816	21676-0001	21849	SP1005-04
10590-0201	UK	270	2" Flanged	Flange	•	10590-0111	SK254	816	21676-0001	21849	SP1005-04
10590-0231	UK	270	2" Flanged	Flange			SK254	816	17936-0001	21849	SP1095-0640
10590-0341	UK	270	2" Flanged	Flange			SK254	816	17936-0001	21849	SP1095-0640
10590-21	UK	270	2" Flanged	Flange	•	10590-22	SK254	816	21676-0001	21849	SP1005-04
10590-22	UK	270	2" Flanged	Flange	•	10590-0111	SK254	816	21676-0001	21849	SP1005-04
10590-61	UK	270	2" Flanged	Flange	•	10590-62	SK254	816	21676-0001	21849	SP1005-04
10590-62	UK	270	2" Flanged	Flange			SK254	816	21676-0001	21849	SP1005-04
10590-63	UK	270	2" Flanged	Flange			SK254	816	21676-0001	21849	SP1005-04
10630	UK	200	1-1/2" Flanged	Foot	•	52220-0011	SK230	816	836-0001	21849	SP1005-04
10630-01	UK	200	1-1/2" Flanged	Foot	•	52220-0011	SK230	816	836-0001	21849	SP1005-04
10630-07	UK	200	1-1/2" Flanged	Foot	•	52220-0011	SK230	816	836-0001	21849	SP1005-04

GENERAL PARTS LISTING										
5	6	7	8	9	10	11	12	13	14	
CAM	CAM SCREW	PUMP END OIL SEAL	PUMP END BEARING	DRIVE END OIL SEAL	DRIVE END BEARING	SHAFT	WEARPLATE	END COVER	BODY	
490	SP1003-01	SP2701-21	SP2601-39	SP2701-15	SP2601-39	10417	7883	3992	9974-200	
490	SP1003-01	SP2701-21	SP2601-39	SP2701-15	SP2601-39	9997	9996	3992	9994-21	
490	SP1003-01	SP2701-21	SP2601-39	SP2701-15	SP2601-39	9997-01	7883	3992	9994-21	
490-0000	91003-0070	92700-0480	92600-0060	92701-0160	–	–	Obsolete	Obsolete	Obsolete	
10182-0000	91004-0090	–	–	–	–	–	–	–	–	
–	–	–	–	–	–	–	–	–	–	
6988	SP1005-04	SP2701-54	SP2601-37	SP2700-49	SP2601-37	11254-01	2574	9936	10494	
6988	SP1005-04	SP2701-54	SP2601-37	SP2700-49	SP2601-37	11254-01	2574	9936	10494-03	
6988	SP1005-04	SP2701-54	SP2601-37	SP2700-49	SP2601-37	11254-01	2574	9936	10494	
6988	SP1005-04	SP2701-54	SP2601-37	SP2700-49	SP2601-37	11254-01	2574	9936	10494	
10336	SP1003-09	SP2701-21	SP2601-39	SP2701-15	SP2601-39	10417	7883	3992	10554	
490	SP1003-01	SP2701-21	SP2601-39	SP2701-15	SP2601-39	10417	7883	3992	10554	
10336	SP1003-09	SP2701-21	SP2601-39	SP2701-15	SP2601-39	10417	7883	3992	10554	
490	SP1003-01	SP2701-21	SP2601-39	SP2701-15	SP2601-39	10417-2100	22906-0000	22907-0000	10554-2100	
490	SP1003-01	SP2701-21	SP2601-39	SP2701-15	SP2601-39	10417	7883	3992	10974	
6988	SP1005-04	SP2701-54	SP2601-37	–	SP2601-41	11258-01	2574	9336	10494	
22039	SP1005-05	SP2701-54	SP2601-37	–	SP2601-37	11256-01	2574	9336	10494	
22268	SP1005-05	SP2701-54	SP2601-37	–	SP2601-37	11258-01	2574	9336	10494	
6988	SP1003-09	SP2701-21	SP2601-39	SP2701-15	SP2601-39	10417	7883	3992	10494	
6988	SP1005-04	SP2701-54	SP2601-0458	–	SP2601-0458	11256-01	2574	9336	10494	
22268	SP1005-05	SP2701-54	SP2601-37	–	SP2601-37	11258-01	2574	9336	10494	
6988	SP1005-04	SP2701-54	SP2601-37	SP2700-49	SP2601-37	11256-01	2574	9336	10494	
22039	SP1005-04	SP2701-54	SP2601-37	–	SP2601-37	11256-01	2574	10773	10494	
6988	SP1005-04	SP2701-54	SP2601-37	–	SP2601-37	11256-01	2574	10773	10494	
6988	SP1005-04	SP2701-54	SP2601-37	–	SP2601-41	11258-01	2574	9336	10494	
6988	SP1005-04	SP2701-54	SP2601-37	–	SP2601-41	11258-01	2574	9336	10494	
6988	SP1005-04	SP2701-54	SP2601-37	–	SP2601-41	11258-01	2574	9336	10494	
6988	SP1005-04	SP2701-54	SP2601-37	–	SP2601-41	11258-01	2574	9336	10494	
6988	SP1005-04	SP2701-54	SP2601-37	–	SP2601-43	11258-01	2574	9336	10494	
834	SP1005-04	SP2701-54	SP2601-37	SP2700-49	SP2601-37	11254	2574	9336	10634	
834	SP1005-04	SP2701-54	SP2601-37	SP2700-49	SP2601-37	11228-9000	2574	9336	10634	
834	SP1005-04	SP2701-54	SP2601-37	SP2700-49	SP2601-37	11254	2574	9336	10634	

# 13 Service Parts

FLEXIBLE IMPELLER PUMP SPARES BY PUMP MODEL



JABSCO PUMP DETAILS							SERVICE KIT LISTING				
MODEL NUMBER *OEM ONLY	UK/ USA	PUMP SIZE	PORT TYPE	MOUNT TYPE	OBSOLETE	ALTERNATE PUMP NUMBER	PART KEY	1	2	3	4
							KIT NUMBER	GASKET/ O-RING	IMPELLER	WATER SEAL	END COVER SCREWS
10630-200	UK	200	1-1/2" Flanged	Foot	•	52220-0011	SK230	816	836-0001	21849	SP1005-04
10630-207	UK	200	1-1/2" Flanged	Foot	•	52220-0011	SK230	816	836-0001	21849	SP1005-04
10630-57	UK	200	1-1/2" Flanged	Flange	•	52220-0011	SK230	816	836-0001	21849	SP1005-04
10650	UK	200	1-1/2" Flanged	Foot	•	51220-0011	SK230	816	836-0001	21849	SP1005-04
10650-200	UK	200	1-1/2" Flanged	Foot	•	51200-2011	SK230	816	836-0001	21849	SP1005-04
10660	UK	270	2" Flanged	Foot	•	51270-0011	SK254	816	17936-0001	21849	SP1005-04
10660-200	UK	270	2" Flanged	Foot	•	51270-2011	SK254	816	17936-0001	21849	SP1005-04
10670	UK	200	1-1/2" Flanged	Foot	•	50220-0011	SK230-01	816	836-0001	21849	SP1005-04
10670-01	UK	200	1-1/2" Flanged	Foot	•	50220-0111	SK230-01	816	836-0001	21849	SP1005-04
10670-10	UK	200	1-1/2" Flanged	Foot	•	50220-0211	SK230-01	816	836-0001	21849	SP1005-04
10670-11	UK	200	1-1/2" Flanged	Foot	•	50220-0311	SK230-01	816	836-0001	21849	SP1005-04
10670-200	UK	200	1-1/2" Flanged	Foot	•	50200-2011	SK230-01	816	836-0001	21849	SP1005-04
10670-201	UK	200	1-1/2" Flanged	Foot	•	50200-2111	SK230-01	816	836-0001	21849	SP1005-04
10670-210	UK	200	1-1/2" Flanged	Foot	•	50200-2211	SK230-01	816	836-0001	21849	SP1005-04
10670-211	UK	200	1-1/2" Flanged	Foot	•	50200-2311	SK230-01	816	836-0001	21849	SP1005-04
10680	UK	270	2" Flanged	Foot	•	50270-0011	SK254	816	21676-0001	21849	SP1005-04
10680-01	UK	270	2" Flanged	Foot	•	50270-0111	SK254	816	21676-0001	21849	SP1005-04
10680-10	UK	270	2" Flanged	Foot	•	50270-0211	SK254	816	21676-0001	21849	SP1005-04
10680-11	UK	270	2" Flanged	Foot	•	50270-0311	SK254	816	21676-0001	21849	SP1005-04
10680-200	UK	270	2" Flanged	Foot	•	50270-2011	SK254	816	21676-0001	21849	SP1005-04
10680-201	UK	270	2" Flanged	Foot	•	50270-2111	SK254	816	21676-0001	21849	SP1005-04
10680-210	UK	270	2" Flanged	Foot	•	50270-2211	SK254	816	21676-0001	21849	SP1005-04
10680-211	UK	270	2" Flanged	Foot	•	50270-2311	SK254	816	21676-0001	21849	SP1005-04
10770-0051	UK	200	1-1/2" Flanged	Flange	•		SK369-0001	816	836-0001	21849	SP1095-0640
10770-0111	UK	200	1-1/2" Flanged	Flange	•		SK230	816	17935-0001	21849	SP1095-0640
10770-0151	UK	200	1-1/2" Flanged	Flange	•		SK369-0001	816	836-0001	21849	SP1095-0640
10770-0331	UK	200	1-1/2" Flanged	Flange			SK369-0001	816	836-0001	21849	SP1095-0640



# 13 Service Parts

FLEXIBLE IMPELLER PUMP SPARES BY PUMP MODEL



JABSCO PUMP DETAILS							SERVICE KIT LISTING				
MODEL NUMBER *OEM ONLY	UK/ USA	PUMP SIZE	PORT TYPE	MOUNT TYPE	OBSOLETE	ALTERNATE PUMP NUMBER	PART KEY	1	2	3	4
							KIT NUMBER	GASKET/ O-RING	IMPELLER	WATER SEAL	END COVER SCREWS
10770-0351	UK	200	1-1/2" Flanged	Flange			SK230-01	816	836-0001	21849	SP1005-04
10770-0531	UK	200	1-1/2" Flanged	Flange			–	816	836-0001	96080-0373	SP1095-0640
10770-0551	UK	200	1-1/2" Flanged	Flange			–	816	836-0001	96080-0373	SP1095-0640
10770-07	UK	200	1-1/2" Flanged	Flange	•		SK230-01	816	836-0001	21849	SP1005-04
10770-57	UK	200	1-1/2" Flanged	Flange			SK230-01	816	836-0001	21849	SP1005-04
10770-62	UK	200	1-1/2" Flanged	Flange	•		SK230-01	816	836-0001	21849	SP1005-04
10800-21	UK	200	1" NPSF	Flange	•		SK229	890	17937-0001	22617-0010	SP1003-09
10880-0051	UK	200	1-1/2" Flanged	Flange	•		SK230-0161	816	17935-0001	21849	SP1095-0640
10880-0101	UK	200	1-1/2" Flanged	Flange	•		SK230	816	836-0001	21849	SP1005-04
10880-0151	UK	200	1-1/2" Flanged	Flange	•		SK230-0161	816	17935-0001	21849	SP1095-0640
10880-07	UK	200	1-1/2" Flanged	Flange	•		SK230	816	836-0001	21849	SP1005-04
10880-21	UK	200	1-1/2" Flanged	Flange	•		SK230	816	836-0001	21849	SP1005-04
10880-2461	UK	200	1-1/2" Flanged	Flange	•	10880-2561	SK375-0101	816	17935-0001	21849	SP1005-04
10880-2561	UK	200	1-1/2" Flanged	Flange			SK375-0101	816	17935-0001	21849	SP1005-04
10880-2611	UK	200	1-1/2" Flanged	Flange	•		SK375-0101	816	17935-0001	21849	SP1005-04
10880-2661	UK	200	1-1/2" Flanged	Flange			SK375-0101	816	17935-0001	21849	SP1005-04
10880-62	UK	200	1-1/2" Flanged	Flange	•		SK230-01	816	836-0001	21849	SP1005-04
10950-200	UK	40	3/4" BSP	Flange	•	10950-2401	SK239	3298	1210-0001	22617-0010	SP1002-02
10950-201	UK	40	1/2" BSP	Flange	•	10950-2401	SK239	3298	1210-0001	22617-0010	SP1002-02
10950-204	UK	40	3/4" BSP	Flange	•	10950-2401	SK239	3298	1210-0001	22617-0010	SP1002-02
10950-205	UK	40	3/4" BSP	Flange	•	10950-2401	SK239	3298	1210-0001	22617-0010	SP1002-02
10950-2101	UK	40	3/4" BSP	Flange	•	10950-2401	SK239	3298	1210-0001	22617-0010	SP1002-02
10950-2141	UK	40	3/4" BSP	Flange	•	10950-2401	SK239	3298	1210-0001	22617-0010	SP1002-02
10950-2201	UK	40	3/4" BSP	Flange	•	10950-2601	SK239	3298	1210-0001	22617-0010	SP1002-02
10950-2241	UK	40	3/4" BSP	Flange	•	10950-2601	SK239	3298	1210-0001	22617-0010	SP1002-02
10950-2401	UK	40	3/4" BSP	Flange			SK239	3298	1210-0001	22617-0010	SP1002-02
10950-2441	UK	40	3/4" BSP	Flange	•	10950-2601	SK239	3298	1210-0001	22617-0010	SP1002-02

GENERAL PARTS LISTING										
5	6	7	8	9	10	11	12	13	14	
CAM	CAM SCREW	PUMP END OIL SEAL	PUMP END BEARING	DRIVE END OIL SEAL	DRIVE END BEARING	SHAFT	WEARPLATE	END COVER	BODY	
2551	SP1005-05	SP2701-54	SP2601-37	–	SP2601-37	11258	2574	9336	23704-0000	
29772-0000	SP1005-05	SP2701-54	SP2601-37	–	SP2601-37	11256	2574	9336	23704-0000	
2551	SP1005-05	SP2701-54	SP2601-37	–	SP2601-37	11256	2574	10773	10634	
834	SP1005-04	SP2701-54	SP2601-37	–	SP2601-41	11256	2574	9336	10634	
2551	SP1005-05	SP2701-54	SP2601-37	–	SP2601-41	11256	2574	9336	10634	
2551	SP1005-05	SP2701-54	SP2601-37	–	SP2601-41	21679-0000	2574	9336	10634	
3255	SP1004-11	92701-6004	SP2601-10	–	SP2601-10	10807-21	4156	3993	10634	
2551	SP1005-05	SP2701-54	SP2601-0458	–	SP2601-0458	11258	2574	9336	10584-03	
834	SP1005-04	SP2701-54	SP2601-37	–	SP2601-37	11258	2574	9336	10584-03	
2551	SP1005-05	SP2701-54	SP2601-0458	–	SP2601-0458	11256	2574	9336	10584-03	
834	SP1005-04	SP2701-54	SP2601-37	–	SP2601-41	11258	2574	9336	10584	
834	SP1005-04	SP2701-54	SP2601-37	–	SP2601-41	11228-9000	2574	9336	21684-2000	
2551	SP1005-05	SP2701-54	SP2601-37	–	SP2601-37	11258-0020	2574	9336	21684-2000	
2551	SP1005-05	SP2701-54	SP2601-37	–	SP2601-41	23387-0000	2574	9336	21684-2000	
834	SP1005-04	SP2701-54	SP2601-37	–	SP2601-37	23387-0020	2574	9336	21684-2000	
2551	SP1005-05	SP2701-54	SP2601-37		SP2601-37	23387-0000	2574	9336	21684-2000	
834	SP1005-04	SP2701-54	SP2601-37	–	SP2601-41	21679-0000	2574	9336	10584	
490	SP1003-01	SP2701-21	SP2601-39	–	SP2601-39	23377-0000	7883	3992	10554-200	
490	SP1003-01	SP2701-21	SP2601-39	–	SP2601-39	23377-0000	7883	3992	10554-200	
10336	SP1003-09	SP2701-21	SP2601-39	–	SP2601-39	23377-0000	7883	3992	10554-200	
10336	SP1003-09	SP2701-21	SP2601-39	–	SP2601-39	23377-0000	7883	3992	10554-200	
490	SP1003-01	SP2701-21	SP2601-39	–	SP2601-39	22927-0000	7883	3992	10554-200	
490	SP1003-01	SP2701-21	SP2600-01	–	SP2600-01	22927-0000	7883	3992	10554-200	
490	SP1003-01	SP2701-21	SP2601-39	–	SP2601-39	22927-0000	7883	3992	10554-200	
490	SP1003-01	SP2701-21	SP2600-01	–	SP2600-01	22927-0000	7883	3992	10554-200	
490	SP1003-01	SP2701-21	SP2600-01	–	SP2600-01	23377-0000	7883	3992	10554-200	
10336	SP1003-09	SP2701-21	SP2600-01	–	SP2600-01	23377-0000	7883	3992	10554-200	

# 13 Service Parts

FLEXIBLE IMPELLER PUMP SPARES BY PUMP MODEL



JABSCO PUMP DETAILS							SERVICE KIT LISTING				
MODEL NUMBER *OEM ONLY	UK/ USA	PUMP SIZE	PORT TYPE	MOUNT TYPE	OBSOLETE	ALTERNATE PUMP NUMBER	PART KEY	1	2	3	4
							KIT NUMBER	GASKET/ O-RING	IMPELLER	WATER SEAL	END COVER SCREWS
10950-2451	UK	40	3/4" BSP	Flange	•	10950-2601	SK239	3298	1210-0001	22617-0010	SP1002-02
10950-2601	UK	40	3/4" BSP	Flange			SK239	3298	1210-0001	22617-0010	SP1002-02
10950-2701	UK	40	3/4" BSP	Flange	•	10950-2401	SK239	3298	1210-0001	22617-0010	SP1002-02
10970	UK	40	3/4" NPTF	Flange			SK268-01	3298	1210-0001	22617-0010	SP1002-02
10970-21	UK	40	3/4" Flanged	Flange			SK268-01	3298	1210-0001	22617-0010	SP1002-02
10980-0051	UK	200	1-1/2" Flanged	Flange	•		SK230-0161	816	17935-0001	21849	SP1005-04
10980-01	UK	200	1-1/2" Flanged	Flange	•	10980-0051	SK230-01	816	836-0001	21849	SP1005-04
11000	UK	20	Ø 16 Hose	Flange	•		SK211	10817	673-0001	SP2701-04	SP1002-09
11000-01	UK	20	Ø 16 Hose	Flange	•		SK211	10817	673-0001	SP2701-04	SP1002-09
11100-0101	UK	270	2" Flanged	Flange	•		SK254	816	21676-0001	21849	SP1005-04
11100-01-01	UK	270	2" BSP	Flange	•		SK254	816	21676-0001	21849	SP1005-04
11100-0141	UK	270	2" Flanged	Flange	•		SK254	816	21676-0001	21849	SP1005-04
11100-0151	UK	270	2" Flanged	Flange	•		SK254	816	21676-0001	21849	SP1005-04
11100-0541	UK	270	2" Flanged	Flange			SK254	816	21676-0001	21849	SP1005-04
11100-0601	UK	270	2" Flanged	Flange			SK254	816	17936-0001	21849	SP1005-04
11100-0641	UK	270	2" Flanged	Flange	•		SK254	816	17936-0001	21849	SP1005-04
11120-200	UK	80	1" BSP	Flange	•		SK229	890	17937-0001	22617-0010	SP1003-09
11120-204	UK	80	1" BSP	Flange	•		SK229	890	17937-0001	22617-0010	SP1003-09
11120-205	UK	80	1" BSP	Flange	•		SK229	890	17937-0001	22617-0010	SP1003-09
11150-0011	UK	200	2" Flanged	Foot	•		SK254	816	21676-0001	21849	SP1005-04
11260-200	UK	10	1/4" BSP	Flange	•	29300-2101C	SK266	1126	4528-0001	SP2701-04	SP1002-01
11260-205	UK	10	1/4" BSP	Flange	•	29300-2151C	SK266	1126	4528-0001	SP2701-04	SP1002-01
11260-2101	UK	10	3/8" BSP	Flange	•	29300-2201C	SK266	1126	4528-0001	SP2701-04	SP1002-01
11260-211	UK	10	1/4" BSP	Flange	•		SK266	1126	4528-0001	SP2701-04	SP1002-01
11260-2151	UK	10	3/8" BSP	Flange	•	29300-2151C	SK266	1126	4528-0001	SP2701-04	SP1002-01
11260-2211	UK	10	3/8" BSP	Flange	•		SK266	1126	4528-0001	SP2701-04	SP1002-01
11410-200	UK	40	3/4" BSP	Foot	•	Bilge	SK328	11415	1210-0001	22617-0010	SP1003-08
11410-200	UK	80	1" BSP	Foot		Cooling	SK328	890	17937-0001	22617-0010	SP1003-11
11430-01	UK	10	1/4" BSP	Flange	•		SK272	11438	4528-0001	SP2700-11	SP1002-04
11470-200	UK	20	Ø 16 Hose	Flange	•	Bilge	SK325	11475	673-0001	22626-0000	SP1002-03
11470-200	UK	40	3/4" BSP	Flange		Cooling	SK325	11476	1210-0001	22626-0000	SP1002-06
11570-200	UK	20	Ø 16 Hose	Flange	•	Bilge	SK325	11475	673-0001	22626-0000	SP1002-03
11570-200	UK	40	3/4" BSP	Flange		Cooling	SK325	11476	1210-0001	22626-0000	SP1002-06
11590-204	UK	40	3/4" BSP	Foot	•	Bilge	SK285	11415	1210-0001	22645-0000	SP1003-08
11590-204	UK	80	1" BSP	Foot		Cooling	SK285	11593	17937-0001	22645-0000	SP1003-11
11600	USA	80	1" NPT	Foot			SK299	890	17937-0001	22617-0010	SP1003-09



GENERAL PARTS LISTING										
5	6	7	8	9	10	11	12	13	14	
CAM	CAM SCREW	PUMP END OIL SEAL	PUMP END BEARING	DRIVE END OIL SEAL	DRIVE END BEARING	SHAFT	WEARPLATE	END COVER	BODY	
10336	SP1003-09684	SP2701-21	SP2600-01	–	SP2600-01	23377-0000	7883	3992	10554-200	
490	SP1003-09	SP2701-21	SP2600-01	–	SP2600-01	23377-0000	7883	3992	10554-200	
490	SP1003-09	SP2701-21	SP2600-01	–	SP2600-01	23377-0000	7883	3992	10554-200	
490	SP1003-01	SP2701-21	SP2601-39	–	SP2601-39	9977-01	7883	3992	10974	
490	SP1003-01	SP2701-21	SP2601-39	–	SP2601-39	9977-01	7883	3992	21148	
2551	SP1005-05	SP2700-51	–	–	SP2600-04	4388-07	2574	9336	10634	
2551	SP1005-05	SP2701-51	–	–	SP2600-04	4388-07	2574	9336	10634-01	
2441	SP1002-01	–	–	–	–	11007	–	9905	9904	
2907	SP1002-09	–	–	–	–	11007	–	9905	9904	
6988	SP1005-54	SP2701-54	SP2601-37	–	SP2601-37	11494-01	2574	9336	11104-01	
6988	SP1005-54	SP2701-54	SP2601-37	–	SP2601-37	11494-01	2574	9336	11104-01	
6988	SP1005-54	SP2701-54	SP2601-37	–	SP2601-37	11494-01	2574	9336	11104-01	
22268	SP1005-05	SP2701-54	SP2601-37	–	SP2601-37	11494-01	2574	9336	11104-01	
22268	SP1005-05	SP2701-54	SP2601-0458	–	SP2601-0458	23387-0010	2574	9336	11104-0050	
6988	SP1005-04	SP2701-54	SP2601-0458	–	SP2601-0458	23387-0010	2574	9336	11104-0050	
22268	–	SP2701-54	SP2601-0458	–	SP2601-0458	23387-0010	2574	9336	11104-0050	
934-0000	SP1004-09	SP2701-21	SP2601-10	–	SP2601-10	11127	4156	3993	10329-200	
3255	SP1004-11	SP2701-21	SP2601-10	–	SP2601-10	11127	4156	3993	10329-200	
2431	SP1004-10	SP2701-21	SP2601-10	–	SP2601-10	11127	4156	3993	10329-200	
6988	SP1005-04	SP2701-54	SP2601-37	–	SP2601-37	11254-01	2574	9336	11104	
AL8	SP1002-09	–	–	–	–	11227	–	AL6-200	11264-200	
AL8-01	SP1002-01	–	–	–	–	11227	–	AL6-200	11264-200	
AL8	SP1002-09	–	–	–	–	11227	–	AL6-200	11264-2100	
AL8	SP1002-09	–	–	–	–	21537	–	AL6-200	11264-200	
AL8-01	SP1002-01	–	–	–	–	11127	–	AL6-200	11264-2100	
AL8	SP1002-09	–	–	–	–	21537	–	AL6-200	11264-200	
7876	SP1003-01	–	–	–	–	–	–	–	11414-200	
934-0000	SP1004-09	SP2701-21	SP2600-38	SP2700-47	SP2600-38	9717-21	7883	11416 (Div Pl)	10339-221	
11436	SP1002-01	SP2701-22	–	–	SP2600-07	11437	2765	11435	11434-01	
2907-0001	SP1002-09	–	–	–	–	–	–	–	11474	
490	SP1003-01	SP2701-21	SP2600-13	–	SP2600-13	11447	7883	11478 (Div Pl)	10974-221	
2907-0001	SP1002-09	–	–	–	–	–	–	–	11474	
490	SP1003-01	SP2703-02	SP2601-39	SP2701-15	SP2601-39	11577	7883	11478 (Div Pl)	10554-221	
7876	SP1003-01	–	–	–	–	–	–	–	11414-200	
3255	SP1004-11	SP2700-48	–	–	SP2600-06	9707-21	4156	11416 (Div Pl)	9704-21	
934-0000	SP1004-09	SP2701-0940	–	SP2700-48	SP2601-42	11608	4156	3993	11604	

# 13 Service Parts

FLEXIBLE IMPELLER PUMP SPARES BY PUMP MODEL



JABSCO PUMP DETAILS							SERVICE KIT LISTING				
MODEL NUMBER *OEM ONLY	UK/ USA	PUMP SIZE	PORT TYPE	MOUNT TYPE	OBSOLETE	ALTERNATE PUMP NUMBER	PART KEY	1	2	3	4
							KIT NUMBER	GASKET/ O-RING	IMPELLER	WATER SEAL	END COVER SCREWS
11620-200	UK	10	1/4" BSP	Flange	•	22830-2101	SK23	1189	4528-0001	SP2701-11	SP1002-01
11620-211	UK	10	1/4" BSP	Flange	•		SK23	1189	4528-0001	SP2701-11	SP1002-01
11650-200	UK	10	3/8" BSP	Flange	•		SK266	1126	4528-0001	SP2701-04	SP1002-01
11740-200	UK	40	3/4" BSP	Foot	•	Bilge	SK300	11746	17937-0001	21849	SP1005-03
11740-200	UK	80	1" Flanged	Foot		Cooling	SK300	816	836-0001	21849	SP1005-03
11740-205	UK	80	1" BSP	Foot	•	Bilge	SK300	11746	17937-0001	21849	SP1005-03
11740-205	UK	200	1-1/2" Flanged	Foot		Cooling	SK300	816	836-0001	21849	SP1005-03
11790	UK	200	1-1/2" Flanged	Flange			SK230	816	836-0001	21849	SP1005-04
11790-01	UK	200	1-1/2" Flanged	Flange	•		SK230	816	836-0001	21849	SP1005-04
11850-0101	USA	40	1" Hose	Flange	•	11850-0701	SK117-02	8641	1210-0001	SP6080-08	SP1026-01
11850-0701	UK	40	1" Hose	Flange			SK117-02	8641	1210-0001	SP6080-08	SP1026-01
11850-0701	USA	40	1" Hose	Flange			90117-0001	8641-0000	1210-0001	96080-0080	91026-0010
11850-0711	USA	40	1" Hose	Foot			90117-0001	8641-0000	1210-0001	96080-0080	91026-0010
11860-0001	USA	80	1" NPT	Foot			90118-0001	890-0000	920-0003	96080-0080	91003-0010
11860-0003	USA	80	1" NPT	Foot			90118-0003	890-0000	920-0003	96080-0080	91003-0010
11860-0004	USA	80	1" NPT	Foot			90118-0003	890-0000	920-0003	96080-0080	91003-0010
11860-0005	USA	80	1" NPT	Foot			90118-0003	890-0000	920-0003	96080-0080	91003-0010
11860-0006	USA	80	1" NPT	Foot			90118-0003	890-0000	920-0003	96080-0080	91003-0010
11860-0007	USA	80	1" NPT	Foot			90118-0003	890-0000	920-0003	96080-0080	91003-0010
11870-0001	USA	200	1-1/4" NPT	Foot			90062-0003	816-0000	836-0003	6407-0010	91005-0040
11870-0003	USA	200	1-1/4" NPT	Foot			90062-0003	816-0000	836-0003	6407-0010	91005-0040
11870-0004	USA	200	1-1/4" NPT	Foot			90062-0003	816-0000	836-0003	6407-0010	91005-0040
11870-0005	USA	200	1-1/4" NPT	Foot			90062-0003	816-0000	836-0003	6407-0010	91005-0040
11870-0006	USA	200	1-1/4" NPT	Foot			90062-0003	816-0000	836-0003	6407-0010	91005-0040
11870-0007	USA	200	1-1/4" NPT	Foot			90062-0003	816-0000	836-0003	6407-0010	91005-0040
12050-0001	USA	80	3/4" Hose	Flange			90117-0121	8641-0080	3085-0001	92700-0180	91003-0090
12280-0001	USA	80	Ø 32 Hose	Flange	•		90155-0001	12288-0000	17937-0001	96080-0080	91003-0010
12600-0001	USA	200	3" Hose	Flange			–	12608-0000	17935-0001	6408-0000	91005-0040
12600-0011	USA	200	3" Hose	Flange	•		–	12608-0000	17935-0001	6408-0000	91005-0040
12600-0021	USA	200	3" Hose	Flange	•		–	12608-0000	17935-0001	6408-0000	91005-0040
14210-0001	USA	40	3/4" Hose	Flange	•		90111-0001	3298-0000	1210-0001	96080-0080	91002-0020
14300-0001	USA	200	1-1/2" Flanged	Foot	•		–	816-0000	17935-0001	6408-0000	91005-0040
14320-0001	USA	40					–	10183-0000	1210-0001	96080-0080	91003-0010
14420-0001	USA	80	1" NPT				90118-0001	890-0000	17937-0001	96080-0080	91003-0010
14440-0001	USA	200	2" Flanged	Flange	•		–	816-0000	17935-0001	6408-0000	91095-0060
14620	USA	80	1" Hose	Flange	•		SK153	890	4598-0001	SP6080-08	SP1014-03
17030-0001	USA	80	3/4" Flanged	Flange			–	3101-0000	17937-0001	96080-0080	91003-0010
17040-0001	USA	80	3/4" Flanged	Flange			–	3101-0000	17937-0001	96080-0080	91003-0010

GENERAL PARTS LISTING										
5	6	7	8	9	10	11	12	13	14	
CAM	CAM SCREW	PUMP END OIL SEAL	PUMP END BEARING	DRIVE END OIL SEAL	DRIVE END BEARING	SHAFT	WEARPLATE	END COVER	BODY	
2763	SP1002-03	SP2700-63	–	–	SP2600-08	1053-11	2765	9566	11624-200	
2763	SP1002-03	SP2700-63	–	–	SP2600-08	1053-11	2765	9566	11624-200	
AL8	SP1002-09	–	–	–	–	11653	–	AL6-200	11654-200	
934-0000	SP1004-09	–	–	–	–	–	–	–	10634	
834	SP1005-04	SP2701-54	SP2601-37	SP2700-49	SP2601-37	11749-0000	2574	11745 (Div PI)	11744-200	
934-0000	SP1004-09	–	–	–	–	–	–	–	10634	
2551	SP1005-05	SP2701-54	SP2601-37	SP2700-49	SP2601-37	11749-0000	2574	11745 (Div PI)	11744-200	
834	SP1005-04	–	SP2601-37	SP2701-54	SP2601-41	11796-0010	2574	9336	10584	
834	SP1005-04	–	SP2601-37	SP2701-54	SP2601-41	11258	2574	9336	10584	
8528	SP1030-0100	SP3000-0090	SP2600-0070	–	–	11977-0010	8493	9176	11854-0410	
8528	SP1030-0100	SP3000-0090	SP2600-0070	–	–	11977-0010	8493	9176	11854-0410	
8528-0000	91030-0110	93000-0090	92600-0070	–	–	11977-0000	8493-0000	12346-0000	11854-0410	
8528-0000	91030-0110	93000-0090	92600-0070	–	–	11977-0000	8493-0000	12346-0000	11854-0410	
934-0000	91004-0090	913-0000	92600-0540	–	–	11867-0000	4156-0000	11831-0000	11864-0000	
934-0000	91004-0090	913-0000	92600-0540	–	–	11867-0000	4156-0000	11831-0000	11864-0000	
934-0000	91004-0090	913-0000	92600-0540	–	–	11867-0000	4156-0000	11831-0000	11864-0000	
934-0000	91004-0090	913-0000	92600-0540	–	–	11867-0000	4156-0000	11831-0000	11864-0000	
934-0000	91004-0090	913-0000	92600-0540	–	–	11867-0000	4156-0000	11831-0000	11864-0000	
934-0000	91004-0090	913-0000	92600-0540	–	–	11867-0000	4156-0000	11831-0000	11864-0000	
934-0000	91004-0090	913-0000	92600-0540	–	–	11867-0000	4156-0000	11831-0000	11864-0000	
834-0001	91004-0040	817-0000	92600-0040	–	–	11877-0000	2574-0000	12062-0000	18753-0585	
834-0001	91004-0040	817-0000	92600-0040	–	–	11877-0000	2574-0000	12062-0000	18753-0585	
834-0001	91004-0040	817-0000	92600-0040	–	–	11877-0000	2574-0000	12062-0000	18753-0585	
834-0001	91004-0040	817-0000	92600-0040	–	–	11877-0000	2574-0000	12062-0000	18753-0585	
834-0001	91004-0040	817-0000	92600-0040	–	–	11877-0000	2574-0000	12062-0000	18753-0585	
834-0001	91004-0040	817-0000	92600-0040	–	–	11877-0000	2574-0000	12062-0000	18753-0585	
8528-0000	91003-0110	92700-0060	92600-0070	–	–	12057-0000	8493-0000	12055-0000	12054-0000	
–	–	913-0000	92600-0060	–	–	12287-0000	–	12294-0000	12284-0000	
12176-0000	–	817-0000	92600-0040	–	–	12607-0000	12606-0000	12179-0000	12604-0000	
12176-0000	–	817-0000	92600-0040	–	–	12607-0000	12606-0000	12179-0000	12604-0000	
12176-0000	–	817-0000	92600-0040	–	–	12607-0000	12606-0000	12179-0000	12604-0000	
6148-0040	91003-0070	913-0000	92600-0060	–	–	14217-0000	7038-0000	11830-0000	14214-0000	
834-0001	91005-0040	92701-0180	92600-0260	–	92600-0260	14307-0000	2574-0000	12062-0000	10584-0010	
490-0000	91003-0070	–	92600-0460	–	92600-0460	Obsolete	–	Obsolete	Obsolete	
934-0000	91003-0010	913-0000	92600-0540	914-0000	–	6718-0000	4156-0000	11831-0000	798-0020	
834-0001	91005-0040	92701-0060	92600-0260	–	92600-0260	Proprietary	2574-0000	12062-0000	Proprietary	
7867	SP1003-01	SP2700-48	SP2600-25	–	–	14627	7868	14625	14622	
7867-0000	91003-0010	913-0000	92600-0060	818-0000	–	Obsolete	7868-0000	11831-0000	Obsolete	
3255-0000	91004-0090	913-0000	92600-0060	–	–	Proprietary	4156-0000	11831-0000	Proprietary	

# 13 Service Parts

FLEXIBLE IMPELLER PUMP SPARES BY PUMP MODEL



JABSCO PUMP DETAILS							SERVICE KIT LISTING				
MODEL NUMBER *OEM ONLY	UK/ USA	PUMP SIZE	PORT TYPE	MOUNT TYPE	OBSOLETE	ALTERNATE PUMP NUMBER	PART KEY	1	2	3	4
							KIT NUMBER	GASKET/ O-RING	IMPELLER	WATER SEAL	END COVER SCREWS
17050-0001	USA	80	1-1/4" Flanged	Flange			–	3101-0000	17937-0001	96080-0080	91003-0010
17050-0002	USA	80	1-1/4" Flanged	Flange	•		–	3101-0000	17937-0001	96080-0080	91003-0010
17100-0001	USA	80	1-1/4" NPT	Flange			90179-0001	17106-0000	17937-0001	96080-0080	Obsolete
17100-0005	USA	80	1-1/4" NPT	Flange			90179-0001	17106-0000	17937-0001	96080-0080	Obsolete
17100-0011	USA	80	1-1/4" NPT	Flange			90179-0001	17106-0000	17937-0001	96080-0080	Obsolete
17120-0001	USA	10	3/8" NPT	Flange			90178-0001	9156-0010	4528-0001	92700-0060	91002-0090
17200-0001	USA	80	1-1/4" Hose	Flange	•	18930-0010	–	10184-0000	11979-0001	96080-0080	91003-0010
17350-0011	USA	120		Flange			–	17106-0001	17018-0001	96080-0080	–
17360-1001	USA	200	2-1/2" Flange	Flange			90190-0001	17365-1000	17370-0001	96080-0371	91005-0040
17380-0001	USA	80					–	17106-0000	11979-0001	92700-0060	–
17380-0011	USA	80					–	17106-0000	11979-0001	92700-0060	–
17380-0021	USA	80					–	17106-0000	11979-0001	92700-0060	–
17380-0031	USA	80					–	17106-0000	11979-0001	92700-0060	–
17410-0001	USA	40	1" Hose	Flange	•	18830-1020	90187-0012	17408-0000	3085-0001	96080-0080	91095-0540
17440-0001	USA	80					90181-0001	17445-0000	17937-0001	96080-0080	Obsolete
17490-0001	USA	270			•		–	17365-1000	17936-0001	96080-0371	91005-0040
17520-0001	USA	200	2-1/2" Flange	Flange	•		–	816-0000	17935-0001	6408-0000	18753-0332
17520-0002	USA	200	2-1/2" Flange	Flange			–	816-0000	17935-0001	6408-0000	18753-0332
17520-0051	USA	200	2-1/2" Flange	Flange			–	2553-1000	17935-0001	6408-0000	18753-0332
17520-0052	USA	200	2-1/2" Flange	Flange			–	2553-1000	17935-0001	6408-0000	18753-0332
17530-0000	USA	370	3" Flange	Flange			–	92000-1358	18786-0001	96080-0371	91106-0236
17540-0001	USA	370					–	92000-1358	18786-0001	96080-0371	91106-0236
17810-1000	USA	200	2-1/2" Flange	Flange	•		90019-1011	816-0000	17935-0001	6408-0000	91095-0060
17970-0000	USA	200	2-1/2" Flange	Flange			–	17365-1000	17370-0001	96080-0371	–
18200-0000	USA	200	3" Hose	Flange	•		–	17365-1000	17370-0001	96080-0371	18753-0332
18200-0002	USA	200	3" Hose	Flange			–	17365-1000	17370-0001	96080-0371	18753-0332
18300-0000	USA	270	1-1/2" NPT	Foot			90254-0001	816-0000	17936-0001	6408-0000	91005-0040
18310-0000	USA	270	2" NPT	Foot			90254-0003	816-0000	6760-0003	6408-0000	91005-0040
18320-0000	USA	270	1-1/2" NPT	Foot			90254-0001	816-0000	17936-0001	6408-0000	91005-0040
18320-0001	USA	270	1-1/2" NPT	Foot			90254-0001	816-0000	17936-0001	6408-0000	91005-0040
18320-0002	USA	270	1-1/2" NPT	Foot			90254-0001	816-0000	17936-0001	6408-0000	91005-0040
18330-0000	USA	270	2" NPT	Foot			90254-0003	816-0000	6760-0003	6408-0000	91005-0040
18330-0001	USA	270	2" NPT	Foot			90254-0003	816-0000	6760-0003	6408-0000	91005-0040
18330-0002	USA	270	2" NPT	Foot			90254-0003	816-0000	6760-0003	6408-0000	91005-0040
18340-0000	USA	270	1-1/2" NPT	Foot			90254-0001	816-0000	17936-0001	6408-0000	91005-0040
18370-0000	USA	270	2" NPT	Foot			90254-0001	816-0000	17936-0001	6408-0000	91005-0040

GENERAL PARTS LISTING										
5	6	7	8	9	10	11	12	13	14	
CAM	CAM SCREW	PUMP END OIL SEAL	PUMP END BEARING	DRIVE END OIL SEAL	DRIVE END BEARING	SHAFT	WEARPLATE	END COVER	BODY	
7873-0000	91003-0020	913-0000	92600-0060	–	–	7267-0000	7868-0000	11831-0000	17054-0000	
7873-0000	91003-0020	913-0000	92600-0060	–	–	7267-0000	7868-0000	11831-0000	17054-0000	
–	–	–	–	–	–	–	17108-0000	17232-0000	Obsolete	
–	–	–	–	–	–	–	17108-0000	17232-0000	Obsolete	
–	–	–	–	–	–	–	17108-0000	17232-0000	Obsolete	
4538-0000	91002-0090	–	–	–	–	17127-0000	–	11833-0000	17124-0000	
10182-0000	91004-0090	–	–	–	–	14206-0000	–	14937-0000	17204-0000	
–	–	–	–	–	–	–	17108-0000	17232-0000	–	
17374-1000	–	92701-0180	18752-0000	–	18752-0000	17366-1000	17372-1000	17378-1000	–	
–	–	–	92600-0460	–	92600-0460	17388-0010	17108-0000	17232-0000	Obsolete	
–	–	–	92600-0460	–	92600-0460	17388-0010	17108-0000	17232-0000	Obsolete	
–	–	–	92600-0460	–	92600-0460	17388-0010	17108-0000	17232-0000	Obsolete	
–	–	–	92600-0460	–	92600-0460	17388-0010	17108-0000	17232-0000	Obsolete	
–	–	–	–	–	–	17388-0010	17847-0000	17232-0000	17404-0000	
2431-0000	91004-0100	–	–	–	–	Obsolete	17108-0010	–	Obsolete	
17374-1000	–	92700-0180	18752-0000	–	18752-0000	17366-1010	17372-1000	17378-1000	–	
834-0001	91005-0040	92700-0180	18753-0140	–	18753-0140	Proprietary	2574-0000	12062-0000	Proprietary	
834-0001	91005-0040	92700-0180	18753-0140	–	18753-0140	Proprietary	2574-0000	12062-0000	Proprietary	
2551-0000	91005-0050	92700-0180	18753-0140	–	18753-0140	Proprietary	2574-0000	12062-0000	Proprietary	
2551-0000	91005-0050	92700-0180	18753-0140	–	18753-0140	Proprietary	2574-0000	12062-0000	Proprietary	
18785-0000	–	92701-0180	92601-0471	–	18753-0592	Proprietary	18787-0000	18784-1000	Proprietary	
18785-0000	–	92701-0180	92601-0471	–	–	Proprietary	18787-0000	18784-1000	Proprietary	
834-0001	91005-6040	817-0000	92600-6260	–	–	17807-0001	2574-0000	12062-0000	10584-0010	
17374-1000	–	92701-0180	18752-0000	–	18752-0000	Proprietary	17272-1000	–	Proprietary	
17374-1000	–	817-0000	92600-0320	–	92600-0320	18204-0000	17372-1000	17378-1000	18203-0000	
17374-1000	–	817-0000	92600-0320	–	92600-0320	18204-0000	17372-1000	17378-1000	18203-0000	
6988-0000	91004-0040	92700-0180	92600-0260	–	92600-0260	10657-0010	2574-0000	12062-0000	18313-0002	
6988-0000	91004-0040	92701-0180	92600-0260	–	92600-0260	10657-0010	2574-0000	12062-0000	18313-0002	
6988-0000	91005-0040	92701-0180	92600-0260	–	92600-0260	10677-0010	2574-0000	12062-0000	18313-0003	
6988-0000	91005-0040	92701-0180	92600-0260	–	92600-0260	10677-0010	2574-0000	12062-0000	18313-0003	
6988-0000	91005-0040	92701-0180	92600-0260	–	92600-0260	10677-0010	2574-0000	12062-0000	18313-0003	
6988-0000	91005-0040	92701-0180	92600-0260	–	92600-0260	10677-0010	2574-0000	12062-0000	18313-0000	
6988-0000	91005-0040	92701-0180	92600-0260	–	92600-0260	10677-0010	2574-0000	12062-0000	18313-0000	
6988-0000	91005-0040	92701-0180	92600-0260	–	92600-0260	10677-0010	2574-0000	12062-0000	18313-0000	
6988-0000	91005-0040	92701-0180	92600-0260	818-0000	92600-0260	10487-0010	2574-0000	12062-0000	18313-0004	
6988-0000	91005-0040	92701-0180	92600-0260	818-0000	92600-0260	10487-0010	2574-0000	12062-0000	18313-0001	

# 13 Service Parts

FLEXIBLE IMPELLER PUMP SPARES BY PUMP MODEL



JABSCO PUMP DETAILS							SERVICE KIT LISTING				
MODEL NUMBER *OEM ONLY	UK/ USA	PUMP SIZE	PORT TYPE	MOUNT TYPE	OBSOLETE	ALTERNATE PUMP NUMBER	PART KEY	1	2	3	4
							KIT NUMBER	GASKET/ O-RING	IMPELLER	WATER SEAL	END COVER SCREWS
18400-0050	USA	40	3/4" NPT	Flange			90033-0001	5212-0000	1210-0001	92700-0060	91002-0020
18760-0001	USA	200					90190-0001	17365-1000	17370-0001	96080-0371	91005-0040
18760-0002	USA	200					90190-0001	17365-1000	17370-0001	96080-0371	91005-0040
18760-0003	USA	200					90190-0001	17365-1000	17370-0001	96080-0371	91005-0040
18760-0004	USA	200					90190-0001	17365-1000	17370-0001	96080-0371	91005-0040
18760-0013	USA	200			•		90190-0001	17365-1000	17370-0001	96080-0371	91005-0040
18760-3000	USA	200					90190-0001	17365-1000	17370-0001	96080-0371	91005-0040
18770-0003	USA	370	2-1/2" Flanged	Flange			–	18753-0434	18789-0001	96080-0371	18753-0495
18770-0004	USA	370	2-1/2" Flanged	Flange			–	18753-0434	18789-0001	96080-0371	18753-0495
18770-0005	USA	370	2-1/2" Flanged	Flange	•		–	18753-0434	18789-0001	96080-0371	18753-0495
18780-0000	USA	370	2" Flanged	Flange	•		–	–	–	–	–
18780-0001	USA	370	2" Flanged	Flange			–	18753-0434	18786-0001	96080-0371	18753-0495
18780-0003	USA	370	2" Flanged	Flange			–	18753-0434	18786-0001	96080-0371	18753-0495
18780-0013	USA	370	2" Flanged	Flange			–	18753-0434	18786-0001	96080-0371	18753-0495
18790-0001	USA	370	2" Flanged	Flange			–	92000-1358	18786-0001	96080-0371	18753-0495
18825-0010	USA	80	1-1/2" Hose	Flange	•		90171-0001	18753-0005	17937-0001	96080-0080	18753-0001
18830-0000	USA	40	1" Hose	Flange			90180-0001	18753-0005	1210-0001	96080-0080	18753-0001
18830-0010	USA	40	1" Hose	Flange			90180-0001	18753-0005	1210-0001	96080-0080	18753-0001
18830-1020	USA	40	1" Hose	Flange			–	18753-0005	3085-0001	96080-0080	18753-0001
18840-0010	USA	40	1" Hose	Flange			90180-0001	18753-0005	1210-0001	96080-0080	18753-0001
18840-1010	USA	40	1" Hose	Flange			–	18753-0005	3085-0001	96080-0080	18753-0010
18930-0000	USA	80	1-1/4" Hose	Flange			90184-0001	18753-0005	11979-0001	96080-0080	18753-0001
18930-0010	USA	80	1-1/4" Hose	Flange			90184-0001	18753-0005	11979-0001	96080-0080	18753-0001
18930-0020	USA	80	1-1/4" Hose	Flange			90184-0001	18753-0005	11979-0001	96080-0080	18753-0001
18940-0010	USA	80	1-1/4" Hose	Flange			90184-0001	18753-0005	11979-0001	96080-0080	18753-0010
21080-200	UK	40	1/2" BSP	Foot	•	Bilge	SK330	11415	1210-0001	SP2701-21	SP1003-11
21080-200	UK	80	1" Flanged	Foot		Cooling	SK330	890	17937-0001	SP2701-21	SP1003-08
21080-204	UK	40	3/4" BSP	Foot	•	Bilge	SK330	11415	1210-0001	SP2701-21	SP1003-11
21080-204	UK	80	1" BSP	Foot		Cooling	SK330	890	17937-0001	SP2701-21	SP1003-08
21090-200	UK	40	3/4" BSP	Flange	•	21090-204	SK239	3298	1210-0001	22626-0000	SP1002-02
21090-204	UK	40	3/4" BSP	Flange	•		SK230	816	836-0001	21849	SP1005-04
21100	UK	80	1" BSP	Foot	•		SK288	890	17937-0001	22626-0000	SP1003-09
21130-200	UK	10	3/8" BSP	Flange	•	21130-2101	SK304	21117	4528-0001	SP2701-04	SP1002-03
21130-200	UK	10	3/8" BSP	Flange	•	21130-2101	SK304	21117	4528-0001	SP2701-04	SP1002-17
21130-2101	UK	10	3/8" BSP	Flange	•	Bilge	SK304	21117	4528-0001	SP2701-04	SP1002-03
21130-2101	UK	10	3/8" BSP	Flange		Cooling	SK304	21117	4528-0001	SP2701-04	SP1002-17

	GENERAL PARTS LISTING									
	5	6	7	8	9	10	11	12	13	14
	CAM	CAM SCREW	PUMP END OIL SEAL	PUMP END BEARING	DRIVE END OIL SEAL	DRIVE END BEARING	SHAFT	WEARPLATE	END COVER	BODY
	5211-0000	91003-0090	92700-0060	92600-0130	–	92600-0130	18404-0000	5211-0000	11830-0000	–
	17374-1000	–	92700-0180	18752-0000	–	18752-0000	17366-1000	17372-1000	17378-1000	Proprietary
	17374-1000	–	92700-0180	18752-0000	–	18752-0000	17366-1000	17372-1000	17378-1000	Proprietary
	17374-1000	–	92700-0180	18752-0000	–	18752-0000	17366-1000	17372-1000	17378-1000	Proprietary
	17374-1000	–	92700-0180	18752-0000	–	18752-0000	17366-1000	17372-1000	17378-1000	Proprietary
	17374-1000	–	92700-0180	18752-0000	–	18752-0000	17366-1000	17372-1000	17378-1000	Proprietary
	17374-1000	–	92700-0180	18752-0000	–	18752-0000	17366-1000	17372-1000	17378-1000	Proprietary
	18785-0000	–	92701-0180	18753-0527	–	18753-0526	18753-0525	18787-0000	18784-1000	18773-0000
	18785-0000	–	92701-0180	18753-0527	–	18753-0526	18753-0525	18787-0000	18784-1000	18773-0000
	18785-0000	–	92701-0180	18753-0527	–	18753-0526	18753-0525	18787-0000	18784-1000	18773-0000
	–	–	–	–	–	–	–	–	–	–
	18785-0000	–	92701-0180	18752-0000	–	18752-0000	Proprietary	18787-0000	18784-1000	Proprietary
	18785-0000	–	92701-0180	18752-0000	–	18752-0000	Proprietary	18787-0000	18784-1000	Proprietary
	18785-0000	–	92701-0180	18752-0000	–	18752-0000	Proprietary	18787-0000	18784-1000	Proprietary
	18785-0000	–	92701-0180	18752-0000	–	18752-0000	Proprietary	18787-0000	18784-1000	Proprietary
	18829-1000	91004-0090	–	92600-0120	–	92600-0120	18827-1000	–	–	18826-1000
	490-0001	91003-0010	–	92600-0120	–	92600-0120	18836-1000	–	–	18834-1000
	490-0001	91003-0010	–	92600-0120	–	92600-0120	18836-1000	–	–	18834-1000
	490-0001	91003-0010	–	92600-0120	–	92600-0120	18836-1000	–	–	18834-1000
	490-0001	91003-0010	–	92600-0120	–	92600-0120	18836-1000	–	–	18834-1000
	490-0001	91003-0010	–	92600-0120	–	92600-0120	18836-1000	–	–	18834-1000
	10182-0000	91004-0090	–	92600-0120	–	92600-0120	18836-1000	–	–	18944-1000
	10182-0000	91004-0090	–	92600-0120	–	92600-0120	18836-1000	–	–	18944-1000
	10182-0000	91004-0090	–	92600-0120	–	92600-0120	18836-1000	–	–	18944-1000
	10182-0000	91004-0090	–	92600-0120	–	92600-0120	18836-1000	–	–	18944-1000
	Assy 7884	SP1003-01	–	–	–	–	–	Assy 7884	–	11414-200
	934-0000	SP1004-09	SP2700-48	–	SP2700-47	SP2600-06	21087	4156	11416 (Div Pl)	6424-221
	Assy 7884	SP1003-01	–	–	–	–	–	Assy 7884	–	11414-200
	3225	SP1004-10	SP2700-48	–	SP2700-47	SP2600-06	21087	4156	11416 (Div Pl)	6424-221
	490	SP1003-01	–	–	–	–	–	7883	3993	10974-200
	10336	SP1003-09	–	–	–	–	21098	7883	3993	10974-200
	21167	SP1004-09	SP2701-21	SP2601-10	–	SP2601-10	11127-02	21168	3993	10329-02
	AL8	SP1002-02	–	–	–	–	–	–	–	21113-200
	AL8	SP1002-09	–	–	–	–	21133	–	21116 (Div Pl)	11264-201
	AL8	SP1002-02	–	–	–	–	–	–	–	11264-2110
	AL8	SP1002-01	–	–	–	–	21133	–	21116 (Div Pl)	21113-200

# 13 Service Parts

FLEXIBLE IMPELLER PUMP SPARES BY PUMP MODEL



JABSCO PUMP DETAILS							SERVICE KIT LISTING				
MODEL NUMBER *OEM ONLY	UK/ USA	PUMP SIZE	PORT TYPE	MOUNT TYPE	OBSOLETE	ALTERNATE PUMP NUMBER	PART KEY	1	2	3	4
							KIT NUMBER	GASKET/ O-RING	IMPELLER	WATER SEAL	END COVER SCREWS
21140-200	UK	80	1" BSP	Flange	•	21140-2401	SK229	890	17937-0001	22617-0010	SP1003-09
21140-201	UK	80	1" BSP	Flange	•	21140-2401	SK229	890	17937-0001	22617-0010	SP1003-09
21140-204	UK	80	1" BSP	Flange	•	21140-2401	SK229	890	17937-0001	22617-0010	SP1003-09
21140-2101	UK	80	1" BSP	Flange	•	21140-2601	SK229	890	17937-0001	22617-0010	SP1003-09
21140-2141	UK	80	1" BSP	Flange	•	21140-2601	SK229	890	17937-0001	22617-0010	SP1003-09
21140-2201	UK	80	1" BSP	Flange	•	21140-2601	SK229	890	17937-0001	22617-0010	SP1003-09
21140-2241	UK	80	1" BSP	Flange	•	21140-2601	SK229	890	17937-0001	22617-0010	SP1003-09
21140-2308	UK	80	1" BSP	Flange	•		SK229-0008	890	920-0008	22617-0010	SP1003-09
21140-2401	UK	80	1" BSP	Flange			SK423-0001	890	920-0001	22617-0010	SP1003-09
21140-2441	UK	80	1" BSP	Flange	•		SK229	890	17937-0001	22617-0010	SP1003-09
21140-2601	UK	80	1" BSP	Flange			SK423-0001	890	920-0001	22617-0010	SP1003-09
21140-2641	UK	80	1" BSP	Flange	•		SK229	890	17937-0001	22617-0010	SP1003-09
21140-2701	UK	80	1" BSP	Flange	•		SK229	890	17937-0001	22617-0010	SP1003-09
21180	UK	200	1-1/4" Flanged	Flange	•		SK293-01	816	836-0001	21849	SP1005-04
21180-05	UK	200	1-1/4" Flanged	Flange	•		SK293-01	816	836-0001	21849	SP1005-04
21190-200	UK	20	3/8" BSP	Foot	•	Bilge	SK327	11476	673-0001	SP2701-21	SP1002-06
21190-200	UK	40	1/2" BSP	Foot		Cooling	SK327	11475	1210-0001	SP2701-21	SP1002-03
21580-200	UK	80	1" BSP	Flange	•		SK229	890	17937-0001	22626-0000	SP1003-09
21680-05	UK	80	1-1/4" NPT	Foot	•		SK315-0101	816	17935-0001	21849	SP1005-04
21690	UK	40	Ø 20 Hose	Flange	•		SK239	3298	1210-0001	22626-0000	SP1002-02
21690-05	UK	40	Ø 20 Hose	Flange	•		SK239	3298	1210-0001	22626-0000	SP1002-02
21690-200	UK	40	3/4" BSP	Flange	•		SK239	3298	1210-0001	22626-0000	SP1002-02
21770	UK	40	Ø 32 Hose	Flange	•		SK309	4908	4568-0001	SP2701-01	SP1003-09
21780	UK	200	1-1/4" BSP	Foot	•		SK230	816	836-0001	21849	SP1005-04
21810	UK	200	1-1/4" BSP	Foot	•		SK310	890	17018-0001	22617-0000	SP1003-09
21810-01	UK	200	1-1/4" BSP	Foot	•		SK230	816	836-0001	21849	SP1005-04
21820-200	UK	40	1/2" BSP	Foot	•	52040-2001	SK33	3298	1210-0001	SP2701-21	SP1002-02
21820-2001	UK	40	3/4" BSP	Foot	•	52040-2001	SK33	3298	1210-0001	SP2701-21	SP1002-02
21820-2003	UK	40	3/4" BSP	Foot	•	52040-2003	SK384-0003	3298	1210-0003	SP2700-1027	SP1002-02
21820-2021	UK	40	3/4" BSP	Foot	•	52040-2021	SK384-2021	3298	3085-0001	SP2700-1027	SP1002-02
21820-205	UK	40	1/2" BSP	Foot	•		SK33	3298	1210-0001	SP2701-21	SP1002-02
21880-200	UK	80	1" BSP	Foot	•	Bilge	SK300	11746	17937-0001	21849	SP1005-03
21880-200	UK	200	1-1/4" BSP	Foot		Cooling	SK300	816	836-0001	21849	SP1005-03
21880-205	UK	80	1" BSP	Foot	•	Bilge	SK300	11746	17937-0001	21849	SP1005-03
21880-205	UK	200	1-1/4" BSP	Foot		Cooling	SK300	816	836-0001	21849	SP1005-03



GENERAL PARTS LISTING										
5	6	7	8	9	10	11	12	13	14	
CAM	CAM SCREW	PUMP END OIL SEAL	PUMP END BEARING	DRIVE END OIL SEAL	DRIVE END BEARING	SHAFT	WEARPLATE	END COVER	BODY	
934-0000	SP1004-09	SP2701-21	SP2601-39	–	–	10957-01	4156	3993	10329-200	
934-0000	SP1004-09	SP2701-21	SP2601-39	–	–	10957-01	4156	3993	10329-200	
3255	SP1004-11	SP2701-21	SP2601-39	–	–	10957-01	4156	3993	10329-200	
934-0000	SP1004-09	SP2701-21	SP2601-39	–	–	22927-0010	4156	3993	10329-200	
3255	SP1004-11	SP2701-21	SP2600-01	–	SP2600-01	22927-0010	4156	3993	10329-200	
934-0000	SP1004-09	SP2701-21	SP2601-01	–	–	22927-0010	4156	3993	10329-200	
3255	SP1004-11	SP2701-21	SP2600-01	–	SP2600-01	22927-0010	4156	3993	10329-200	
934-0000	SP1004-09	SP2701-21	SP2601-39	–	–	10957-01	4156	3993	10329-200	
934-0000	SP1004-09	SP2701-21	SP2601-01	–	–	23377-0010	4156	3993	10329-200	
3255	SP1004-11	SP2701-21	SP2601-39	–	–	23377-0010	4156	3993	10329-200	
934-0000	SP1004-09	SP2701-21	SP2601-01	–	–	23377-0010	4156	3993	10329-200	
3255	SP1004-11	SP2701-21	SP2601-01	–	–	23377-0010	4156	3993	10329-200	
934-0000	SP1004-09	SP2701-21	SP2601-01	–	–	23377-0010	4156	3993	10329-200	
834	SP1005-04	SP2701-51	SP2601-30	–	SP2601-30	21186	2574	9336	21183	
2551	SP1005-05	SP2701-51	SP2601-30	–	SP2601-30	21186	2574	9336	21183	
2907	SP1002-09	–	–	–	–	–	–	–	11474	
Assy 7884	SP1003-01	SP2701-21	–	–	SP2600-07	21197	Assy 7884	11748 (Div PI)	3274-221	
934-0000	SP1004-09	SP2701-39	SP2601-39	–	SP2601-39	21587	4156	3993	10329-200	
2551	SP1005-05	SP2700-50	–	SP2700-49	SP2600-04	9527	2574	9336	21684	
490	SP1003-01	SP2701-21	SP2601-44	–	SP2601-44	21698	7883	3992	21699	
10336	SP1003-09	SP2701-21	SP2601-44	–	SP2601-44	21698	7883	3992	21699	
490	SP1003-01	SP2701-21	SP2601-44	–	SP2601-44	21698	9496	21695-200	16554-200	
490	SP1003-07	–	–	SP2701-01	–	21777	7883	21775	21774	
21789	SP1004-09	SP2700-50	–	SP2700-49	SP2600-04	21788	4156	3993	21784	
834	SP1005-04	SP2700-50	SP2600-18	–	–	21238	2574	9336	10584-11	
834	SP1005-04	SP2700-50	SP2600-18	–	–	21238	2574	9336	10584-11	
490	SP1003-01	SP2701-21	–	SP2701-15	SP2600-07	21826	7883	3992	21824-200	
490	SP1003-01	SP2701-21	–	SP2701-15	SP2600-07	21826	7883	3992	21824-2100	
490	SP1003-01	–	–	SP2701-15	SP2600-07	21826	7883	3992	21824-2100	
490	SP1003-01	–	–	SP2701-15	SP2600-07	21826	7883	3992	21824-2100	
10336	SP1003-09	SP2701-21	–	SP2701-15	SP2600-07	21826	7883	3992ab	21824-200	
934-0000	SP1004-09	–	–	–	–	–	4156	–	6404-200	
834	SP1005-04	SP2700-50	–	SP2700-49	SP2700-04	21887	2574	11745 (Div PI)	6404-200	
2551	SP1005-05	–	–	–	–	–	2574	–	11744-200	
934-0000	SP1004-09	SP2700-50	–	SP2700-49	SP2700-04	21887	4156	11745 (Div PI)	6404-200	

# 13 Service Parts

FLEXIBLE IMPELLER PUMP SPARES BY PUMP MODEL



JABSCO PUMP DETAILS							SERVICE KIT LISTING				
MODEL NUMBER *OEM ONLY	UK/ USA	PUMP SIZE	PORT TYPE	MOUNT TYPE	OBSOLETE	ALTERNATE PUMP NUMBER	PART KEY	1	2	3	4
							KIT NUMBER	GASKET/ O-RING	IMPELLER	WATER SEAL	END COVER SCREWS
21890	UK	120	1-1/2" BSP	Flange	•	10880-2611	SK310	890	17018-0001	22617-0000	SP1003-09
21960-200	UK	80	1" BSP	Foot	•	50080-2001	SK229	890	17937-0001	22617-0010	SP1003-09
21960-210	UK	80	1" BSP	Foot	•	50080-2101	SK229	890	17937-0001	22617-0010	SP1003-09
21960-211	UK	80	1" BSP	Foot	•	50080-2201	SK229	890	17937-0001	22617-0010	SP1003-09
21960-221	UK	80	1" BSP	Foot	•	50080-2301	SK229	890	17937-0001	22617-0010	SP1003-09
21980	UK	200	1-1/4" BSP	Foot	•		SK317	816	836-0001	21849	SP1005-04
21990	UK	270	2" Flanged	Foot	•		SK254	816	21676-0001	21849	SP1005-04
22040-01	UK	270	2" Flanged	Flange	•			4009	17936-0001	21849	SP1005-04
22040-0131	UK	270	2" Flanged	Flange	•	22040-0501	SK318	816	17936-0001	21849	SP1005-04
22040-0501	UK	270	2" Flanged	Flange			SK318	816	17936-0001	21849	SP1005-04
22040-0531	UK	270	2" Flanged	Flange	•		SK318	816	17936-0001	21849	SP1005-04
22110-0201	USA	60	1-1/4" Hose	Crank	•		–	18753-0656	22120-0001	96080-0080	18753-0657
22110-0251	USA	60	1-1/4" Hose	Crank	•		–	18753-0656	22120-0001	96080-0080	18753-0657
22110-0301	USA	60	1-1/4" Hose	Crank			–	18753-0656	22120-0001	96080-0080	18753-0657
22110-0351	USA	60	1-1/4" Hose	Crank	•		–	18753-0656	22120-0001	96080-0080	18753-0657
22220-2001	UK	60	1" BSP	Flange	•		SK334	3298	22120-0001	22626-0000	SP8019-01
22220-241	UK	60	1" BSP	Flange			SK334	3298	22120-0001	22617-0010	SP1002-01
22230-200	UK	10	1/4" BSP	Flange	•	Salt Water	SK332	21117	4528-0001	SP2701-09	SP1107-05
22230-200	UK	10	1/4" BSP	Flange		Fresh Water	SK332	21117	4528-0001	SP2701-09	SP1107-05
22240	UK	20	Ø 16 Hose	Flange	•	Salt Water	SK333	9408	673-0001	SP2701-09	SP1107-05
22240	UK	20	Ø 16 Hose	Flange		Fresh Water	SK333	9408	673-0001	SP2701-09	SP1107-05
22300-05	UK	60	Ø 32 Hose	Crank	•	22740-0351	SK331-05	3298	22120-0001	SP6080-08	SP8019-01
22350-200	UK	10	1/4" BSP	Flange	•	Salt Water	SK336	1126	4528-0001	SP2701-09	X3075-062G
22350-200	UK	10	1/4" BSP	Flange		Fresh Water	SK336	1126	4528-0001	SP2701-09	X3075-062G
22360	UK	20	Ø 16 Hose	N/A	•	Salt Water	SK337	10817	673-0001	SP2701-04	X3075-062G
22360	UK	20	Ø 16 Hose	Flange		Fresh Water	SK337	10817	673-0001	SP2701-04	X3075-062G
22400-0201	USA	60			•		–	18753-0656	22120-0001	–	18753-0657
22400-0251	USA	60					–	18753-0656	22120-0001	–	18753-0657
22400-0301	USA	60			•		–	–	–	–	–
22410-204	UK	80	1" BSP	Flange	•		SK236	890	17937-0001	SP2701-21	SP1003-09
22620	UK	20	Ø 25 Hose	Crank	•	29440-1101	SK346	1985-01	673-0001	SP6080-08	SP1004-09
22690-200	UK	80	1" BSP	Foot	•	Salt Water	SK344	11746	17937-0001	21849	SP1005-03
22690-200	UK	270	2" BSP	Foot		Fresh Water	SK344	816	21676-0001	21849	SP1005-03

GENERAL PARTS LISTING										
5	6	7	8	9	10	11	12	13	14	
CAM	CAM SCREW	PUMP END OIL SEAL	PUMP END BEARING	DRIVE END OIL SEAL	DRIVE END BEARING	SHAFT	WEARPLATE	END COVER	BODY	
2551	SP1005-05	–	–	–	–	–	2574	3993	10329-200	
934-0000	SP1004-09	SP2700-48	SP2601-42	SP2701-87	–	21966	4156	3933	10329-200	
934-0000	SP1004-09	SP2700-48	SP2601-42	SP2701-87	–	21966	4156	3933	10329-200	
934-0000	SP1004-09	SP2700-48	SP2601-42	SP2701-87	–	21966	4156	3933	10329-200	
934-0000	SP1004-09	SP2700-48	SP2601-42	SP2701-87	–	21966	4156	3933	10329-200	
834	SP1005-04	SP2701-86	SP2601-37	–	SP2601-37	21997	2574	9336	10634	
6988	SP1005-04	SP2701-86	SP2601-37	–	SP2601-37	21997-01	2574	9336	10494	
6988	SP1005-04	SP2700-50	–	–	SP2600-32	–	2574	9336	11104-02	
22039	SP1005-05	SP2700-50	–	–	SP2600-32	21239-0010	2574	9336	11104-03	
6988	SP1005-04	SP2700-50	–	–	SP2600-32	21239-0010	2574	9336	11104-03	
22039	SP1005-05	SP2700-50	–	–	SP2600-32	21239-0010	2574	9336	11104-03	
–	–	–	–	–	–	–	–	–	–	
–	–	–	–	–	–	–	–	–	992ab	
–	–	–	–	–	–	–	–	–	–	
–	–	–	–	–	–	–	–	–	–	
22318	SP1004-11	SP2701-21	SP2600-13	–	SP2600-13	22227-0100	7883	3992	22224	
22318	SP1004-11	SP2701-21	SP2600-13	–	SP2600-13	22227	7883	3992	22224	
22216	SP1002-02	–	–	–	–	–	–	–	22234-200	
AL8	SP1002-09	–	–	–	–	22237	–	21116 (Div Pl)	21913-202	
22217	SP1002-01	–	–	–	–	–	–	–	11474-01	
10818	SP1002-02	–	–	–	–	22247	–	11478 (Div Pl)	22374	
22308	SP1004-10	–	SP2600-09	–	–	22307	–	3992	22304	
22216	SP1002-02	–	–	–	–	–	–	22357	22234-200	
AL8	SP1002-09	SP2701-04	–	SP2701-04	–	22237	–	21116 (Div Pl)	22354-200	
10818	SP1002-01	–	–	–	–	–	–	22366	22364	
22217	SP1002-02	SP2701-04	–	SP2701-04	–	22247	–	11478 (Div Pl)	22374	
–	–	–	–	–	–	–	–	–	–	
–	–	–	–	–	–	–	–	–	–	
–	–	–	–	–	–	–	–	–	–	
3255	SP1004-10	SP2700-48	–	SP2700-47	SP2600-06	6718-202	–	3993	22414	
2907-0001	SP1002-01	–	–	–	SP2600-09	22627	–	9328	22624	
934-0000	SP1004-09	–	–	–	–	–	4156	11745 (Div Pl)	10494	
6988	SP1005-04	SP2701-54	SP2601-37	SP2700-49	SP2601-37	11749-01	2574	–	11744-200	

# 13 Service Parts

FLEXIBLE IMPELLER PUMP SPARES BY PUMP MODEL



JABSCO PUMP DETAILS							SERVICE KIT LISTING				
MODEL NUMBER *OEM ONLY	UK/ USA	PUMP SIZE	PORT TYPE	MOUNT TYPE	OBSOLETE	ALTERNATE PUMP NUMBER	PART KEY	1	2	3	4
							KIT NUMBER	GASKET/ O-RING	IMPELLER	WATER SEAL	END COVER SCREWS
22740-0151	UK	60	Ø 32 Hose	Crank	•		SK331-05	3298	22120-0001	SP6080-08	SP8019-01
22740-0201	UK	60	Ø 32 Hose	Crank	•		SK331-0251	3298	22120-0001	SP2701-21	SP8019-01
22740-0251	UK	60	Ø 32 Hose	Crank	•	22740-0151	SK331-0251	3298	22120-0001	SP2701-21	SP8019-01
22740-0301	UK	60	1" Flanged	Crank	•	22740-0201	SK331-05	3298	22120-0001	SP2701-21	SP8019-01
22740-0351	UK	60	Ø 32 Hose	Crank	•		SK331-05	3298	22120-0001	SP2701-21	SP8019-01
22740-0451	UK	60	Ø 32 Hose	Crank				3298	22120-0001	SP2701-21	SP1002-01
22750-05	UK	60	Ø 32 Hose	Crank	•	22750-1101	SK331-05	3298	22120-0001	SP2701-21	SP8019-01
22750-1101	UK	60	Ø 32 Hose	Crank	•		SK331-05	3298	22120-0001	SP2701-21	SP8019-01
22750-1151	UK	60	Ø 32 Hose	Crank	•		SK331-05	3298	22120-0001	SP2701-21	SP8019-01
22770	UK	20	Ø 25 Hose	Crank	•	29440-1001	SK346	1985-01	673-0001	SP2701-21	SP1004-09
22770-1051	UK	60	Ø 25 Hose	Crank	•	29440-1051	SK346	1985-01	673-0001	SP2701-21	SP1004-09
22770-1101	UK	20	Ø 25 Hose	Crank	•	29440-1101	SK346	1985-01	673-0001	SP2701-21	SP1004-09
22790-1001	UK	40	3/8" BSP	Flange	•	Salt Water	SK350	X4020-254A	22799-0001	SP2701-04	X3075-061G
22790-1001	UK	40	3/8" BSP	Flange		Fresh Water	SK350	22798	22799-0001	SP2701-04	X3075-061G
22820-2051	UK	10	3/8" BSP	Flange	•		SK23	1189	4528-0001	SP2701-1462	SP1002-01
22820-2101	UK	10	3/8" BSP	Flange	•		SK23	1189	4528-0001	SP2701-14	SP1002-01
22830-2001	UK	10	3/8" BSP	Flange	•		SK23	1189	4528-0001	SP2701-14	SP1002-01
22830-2051	UK	10	3/8" BSP	Flange	•		SK23	1189	4528-0001	SP2701-14	SP1002-01
22830-2101	UK	10	3/8" BSP	Flange	•		SK23	1189	4528-0001	SP2701-14	SP1002-01
22830-2151	UK	10	3/8" BSP	Flange	•		SK23	1189	4528-0001	SP2701-14	SP1002-01
22830-2201	UK	10	3/8" BSP	Flange			SK23	1189	4528-0001	SP2701-14	SP1002-01
22830-2301	UK	10	3/8" BSP	Flange	•		SK23	1189	4528-0001	SP2701-14	SP1002-01
22940-2001	UK	10	3/8" BSP	Foot	•	52010-2001	SK23	1189	4528-0001	SP2701-14	SP1002-01
22940-2051	UK	10	3/8" BSP	Foot	•		SK23	1189	4528-0001	SP2701-14	SP1002-01
22940-2053	UK	10	3/8" BSP	Foot	•		SK23-37	1189	4528-0003	SP2701-14	SP1002-01
22950-2031	UK	20	3/8" BSP	Foot	•	52020-2001	SK20	2995-0030	673-0001	SP2700-05	SP1002-02
22950-2037	UK	20	3/8" BSP	Foot	•	52020-2001	SK20	2995-0030	673-0003	SP2700-05	SP1002-02
22960-1001	UK	10	Ø 19 Hose	Foot	•		SK355	21646	4528-0001	SP2701-14	SP1002-09
22960-2001	UK	10	Ø 19 Hose	Foot	•		SK355	21646	4528-0001	SP2701-14	SP1002-09
23010-0131	UK	80	1" BSP	Flange	•	Bilge	SK357-0001	11746	920-0001	21849	SP1005-03
23010-0131	UK	270	2" Flange	Flange		Cooling	SK357-0001	816	17936-0001	21849	SP1005-03
23010-0501	UK	80	1" BSP	Flange	•	Bilge	–	–	–	–	–
23010-0501	UK	270	2" Flange	Flange		Cooling	–	–	–	–	–

GENERAL PARTS LISTING										
5	6	7	8	9	10	11	12	13	14	
CAM	CAM SCREW	PUMP END OIL SEAL	PUMP END BEARING	DRIVE END OIL SEAL	DRIVE END BEARING	SHAFT	WEARPLATE	END COVER	BODY	
22308	SP1004-10	–	–	–	SP2600-09	22307	–	3992	22304-01	
22318	SP1004-11	–	–	–	SP2600-09	22307	–	3992	22304-01	
22308	SP1004-10	–	–	–	SP2600-09	22307	–	3992	22304-01	
22318	SP1004-11	–	–	–	SP2600-09	22307	–	3992	22304-01	
22308	SP1004-10	–	–	–	SP2600-09	22307	–	3992	22304-01	
22308	SP1004-10	–	–	–	SP2600-09	22307-0100	–	3992	22304-01	
22308	SP1004-10	–	–	–	SP2600-09	22627	–	3992	22304-02	
22318	SP1004-11	–	–	–	SP2600-09	22627	–	3992	22304-02	
22308	SP1004-10	–	–	–	SP2600-09	22627	–	3992	22304-02	
2907-0001	SP1002-01	–	–	–	SP2600-09	22627	–	9328	22624	
2441	SP1002-0152	–	–	–	SP2600-09	22627	–	9328	22624	
2907-0001	SP1002-01	–	–	–	SP2600-09	22627	–	9328	22624	
2907-0001	SP1002-09	–	–	–	–	–	–	–	23393	
22789-0000	SP1002-09	–	–	–	–	22797-01	–	22366	23393	
21233	SP1002-03	SP2701-14	Y5052-43	–	Y5052-43	22827	2765	9566	22824-200	
2763	SP1002-03	SP2701-14	Y5052-43	–	Y5052-43	22827	2765	9566	22824-200	
2763	SP1002-03	SP2700-11	Y5052-43	–	Y5052-43	22837-0000	2765	9566	22834-200	
21233	SP1002-0234	SP2701-14	Y5052-43	–	Y5052-43	22827	2765	9566	22834-200	
2763	SP1002-03	SP2701-14	Y5052-43	–	Y5052-43	22757-0000	2765	9566	22834-200	
21233	SP1002-0234	SP2701-14	Y5052-43	–	Y5052-43	22757-0000	2765	9566	22834-200	
2763	SP1002-03	SP2701-14	Y5052-43	–	Y5052-43	22757-0000	2765	9566	22834-2100	
2763	SP1002-03	SP2701-14	Y5052-43	–	Y5052-43	22757-0100	2765	9566	22834-2200	
2763	SP1002-03	SP2701-14	Y5052-43	Y5016-09	Y5052-43	22947-0000	2765	9566	22944-2000	
21233	SP1002-0234	SP2701-14	Y5052-43	Y5016-09	Y5052-43	22947-0000	2765	9566	22944-2000	
21233	SP1002-0234	SP2701-14	Y5052-43	Y5016-09	Y5052-43	22947-0000	2765	9566	22944-2000	
10818	SP1002-09	SP2700-05	SP2601-39	SP2701-15	SP2601-39	22957	22806	3992	22954-2000	
10818	SP1002-09	SP2700-05	SP2601-39	SP2701-15	SP2601-39	22957	22806	3992	22954-2000	
AL8	SP1002-02	–	–	–	SP2600-0025	22967-0000	–	21645	22964-1000	
AL8	SP1002-02	–	–	–	SP2600-0025	22967-0000	–	21645	22964-1000	
934-0000	SP1004-09	–	–	–	–	–	2574	–	11104-03	
22039	SP1005-05	SP2700-51	–	–	SP2600-32	23017-0000	4156	11745 (Div Pl)	11744-200	
–	–	–	–	–	–	–	–	–	–	
–	–	–	–	–	–	–	–	–	–	

# 13 Service Parts

FLEXIBLE IMPELLER PUMP SPARES BY PUMP MODEL



JABSCO PUMP DETAILS							SERVICE KIT LISTING				
MODEL NUMBER *OEM ONLY	UK/ USA	PUMP SIZE	PORT TYPE	MOUNT TYPE	OBSOLETE	ALTERNATE PUMP NUMBER	PART KEY	1	2	3	4
							KIT NUMBER	GASKET/ O-RING	IMPELLER	WATER SEAL	END COVER SCREWS
23010-0531	UK	80	1" BSP	Flange	•	Bilge	SK357-0001	11746	17937-0001	21849	SP1005-03
23010-0531	UK	270	2" Flange	Flange		Cooling	SK357-0001	816	17936-0001	21849	SP1005-03
23020-1101	UK	60	Ø 32 Hose	Crank			SK331-05	3298	22120-0001	SP6080-08	SP8019-01
23050-1031	UK	20	3/8" BSP	Flange	•		SK211	10817	673-0001	SP2701-04	SP1002-09
23060-1101	UK	20	Ø 16 Hose	Crank	•	Bilge	SK360	3298	673-0001	SP6080-08	SP1002-03
23060-1101	UK	60	Ø 32 Hose	Crank	•	Cooling	SK360	9408	22120-0001	SP6080-08	SP1002-06
23070-1151	UK	60	Ø 32 Hose	Crank	•		SK331-05	3298	22120-0001	SP6080-08	SP8019-01
23080-1151	UK	60	Ø 32 Hose	Flange	•		SK363-0051	3298	22120-0001	22617-0010	SP1002-01
23320-2001	UK	80	1-1/2" Flanged	Flange	•		SK229	890	17937-0001	22617-0010	SP1003-09
23320-2101	UK	80	1-1/2" Flanged	Flange	•	New Pipework	SK229	890	17937-0001	22617-0010	SP1003-09
23340-1001	UK	120	Ø 45 Hose	Flange	•		SK310	890	17018-0001	22617-0010	SP1003-09
23340-1101	UK	120	Ø 45 Hose	Flange	•	Respecified	SK310	890	17018-0001	22617-0010	SP1003-09
23430-1001	UK	80	Ø 32 Hose	Flange			SK385-0001	890	17937-0001	SP2700-1027	SP1003-0111
23430-1031	UK	80	Ø 32 Hose	Flange	•		SK385-0001	890	17937-0001	SP2700-1027	SP1003-0111
23430-1041	UK	80	Ø 32 Hose	Flange	•		SK385-0001	890	17937-0001	SP2700-1027	SP1003-0111
23430-1051	UK	80	Ø 32 Hose	Flange	•		SK385-0001	890	17937-0001	SP2700-1027	SP1003-0111
23430-1201	UK	80	Ø 32 Hose	Flange			SK385-0001	890	17937-0001	SP2700-1027	SP1003-0111
23430-1241	UK	80	Ø 32 Hose	Flange	•		SK385-0001	890	17937-0001	SP2700-1027	SP1003-0111
23430-1251	UK	80	Ø 32 Hose	Flange	•		SK385-0001	890	17937-0001	SP2700-1027	SP1003-0111
23430-1301	UK	80	Ø 32 Hose	Flange			SK385-0001	890	17937-0001	SP2700-1027	SP1003-0111
23430-1401	UK	80	Ø 32 Hose	Flange			SK385-0001	890	17937-0001	SP2700-1027	SP1003-0111
23430-1441	UK	80	Ø 32 Hose	Flange			SK385-0001	890	17937-0001	SP2700-1027	SP1003-0111
23430-1501	UK	80	Ø 32 Hose	Flange	•		SK385-0001	890	17937-0001	SP2700-1027	SP1003-0111
23430-1601	UK	80	Ø 32 Hose	Flange			SK385-0001	890	17937-0001	SP2700-1027	SP1003-0111
23430-1641	UK	80	Ø 32 Hose	Flange	•		SK385-0501	890	920-0001	SP2700-1027	SP1003-0111
23430-1701	UK	80	Ø 32 Hose	Flange			SK385-0001	890	17937-0001	SP2700-1027	SP1003-0111
23480-2001	UK	80	1" BSP	Foot	•		SK229	890	17937-0001	22626-0000	SP1003-09
23580-100	UK	80	Ø 32 Hose	Crank	•		–	–	–	–	–
23800-0201	UK	60	Ø 32 Hose	Crank		50410-1201	SK331-0251	3298	22120-0001	SP2701-21	SP8019-01
23800-0201	USA	60	Ø 32 Hose	Crank		50410-1201	–	3298-0000	22120-0001	92700-0060	91002-0010
23800-0251	UK	60	Ø 32 Hose	Crank	•	50410-1251	SK331-0251	3298	22120-0001	SP2701-21	SP8019-01
23800-0251	USA	60	Ø 32 Hose	Crank	•	50410-1251	–	3298-0000	22120-0001	96080-0080	91002-0010
23800-0301	USA	60	Ø 32 Hose	Crank		50410-1301	–	3298-0000	22120-0001	92700-0060	91002-0010
23800-0351	UK	60	Ø 32 Hose	Crank	•	50410-1351	SK331-0251	3298	22120-0001	SP2701-21	SP8019-01
23800-0351	UK	60	Ø 32 Hose	Crank	•	50410-1401	–	3298-0000	22120-0001	96080-0080	91002-0010
23800-0401	UK	60	Ø 32 Hose	Crank	•		SK331-0251	3298	22120-0001	SP2701-21	SP8019-01
29300-2001	UK	10	3/8" BSP	Flange	•		SK404-0001	29308-0000	22405-0001	SP2701-1006	X3004-095G

GENERAL PARTS LISTING										
5	6	7	8	9	10	11	12	13	14	
CAM	CAM SCREW	PUMP END OIL SEAL	PUMP END BEARING	DRIVE END OIL SEAL	DRIVE END BEARING	SHAFT	WEARPLATE	END COVER	BODY	
834	SP1004-09	–	–	–	–	–	2574	–	1104-03	
22039	SP1005-05	SP2700-50	–	–	SP2600-32	23017-0010	4156	11745 (Div Pl)	11744-200	
22318	SP1004-11	–	–	–	SP2600-09	22307	–	3992	22304-02	
10818	SP1002-02	–	–	–	–	23057-0000	–	9905	11004	
2907-0001	SP1002-09	–	–	–	–	–	–	–	11474	
22318	SP1004-11	–	SP2600-09	–	–	23067-0000	–	11478 (Div Pl)	22304-0030	
22308	SP1004-10	–	SP2600-09	–	–	22307	–	3992	22304-0020	
22308	SP1004-10	SP2701-03	SP2600-12	–	SP2600-12	23087-0000	7883	3992	23082-8000	
934-0000	SP1004-09	SP2701-21	SP2601-0448	–	SP2601-0448	23327-9000	4156	3993	11604-2000	
934-0000	SP1004-09	SP2701-21	SP2601-0448	–	SP2601-0448	23328-9000	4156	3993	11604-2000	
23341-0000	SP1004-09	SP2701-54	SP2601-41	–	SP2601-41	23347-0000	4156	3993	23344-8000	
23341-0000	SP1004-09	SP2701-54	SP2601-41	–	SP2601-41	23348-0000	4156	3993	23344-8000	
934-0000	SP1004-09	SP2700-1027	SP2600-01	–	SP2600-01	23437-0000	4256	3993	23434-1000	
23436-0000	SP1004-09	SP2700-1027	SP2600-01	–	SP2600-01	23437-0000	4256	3993	23434-1000	
3255	SP1004-11	SP2700-1027	SP2600-01	–	SP2600-01	23437-0000	4256	3993	23434-1000	
2431	SP1004-10	SP2700-1027	SP2600-12	–	SP2600-12	23437-0000	4156	3993	23434-1000	
934-0000	SP1004-09	SP2700-1027	SP2600-12	–	SP2600-12	23477-0000	4156	3993	23434-1000	
3255	SP1004-11	SP2700-1027	SP2600-12	–	SP2600-12	23477-0000	4156	3993	23434-1000	
2431	SP1004-10	SP2700-1027	SP2600-12	–	SP2600-12	23477-0000	4156	3993	23434-1000	
934-0000	SP1004-09	SP2700-1027	SP2600-01	–	SP2600-01	23477-0000	4156	3993	23434-1000	
934-0000	SP1004-09	SP2700-1027	SP2600-12	–	SP2600-12	23478-0000	4156	3993	23434-1000	
3255	SP1004-11	SP2700-1027	SP2600-12	–	SP2600-12	23478-0000	4156	3993	23434-1000	
934-0000	SP1004-09	SP2700-1027	SP2600-12	–	SP2600-12	23478-0000	4156	3993	23434-1000	
934-0000	SP1004-09	SP2700-1027	SP2600-12	–	SP2600-12	23435-0000	4156	3993	23434-1000	
934-0000	SP1004-11	SP2700-1027	SP2600-12	–	SP2600-12	23435-0000	4156	3993	23434-1000	
934-0000	SP1004-09	SP2700-1027	SP2600-12	–	SP2600-12	23437-0000	4156	3993	23434-1100	
934-0000	SP1004-09	SP2701-87	SP2601-42	SP2700-48	–	21966	4156	3993	10329-200	
–	–	–	–	–	–	–	–	–	–	
22318	SP1004-11	–	–	–	SP2601-0461	22307	–	3992	22304-01	
18753-0090	91004-0110	–	–	–	–	–	–	11830-0000	–	
22308	SP1004-10	–	–	–	SP2601-0461	22307	–	3992	22304-01	
22308-0000	91004-0100	–	–	–	–	–	–	11830-0000	–	
18753-0090	91004-0110	–	–	–	–	–	–	11830-0000	–	
22308	SP1004-10	–	–	–	SP2601-0461	22307	–	3992	22304-01	
22308-0000	91004-0100	–	–	–	–	–	–	11830-0000	–	
22318	SP1004-11	–	–	–	SP2601-0461	22307	–	3992	22304-01	
29303-0000	SP1002-09	SP2701-1006	SP2601-0463	–	SP2601-0463	29307-0000	29306-0000	29305-0000	29304-2000	

# 13 Service Parts

FLEXIBLE IMPELLER PUMP SPARES BY PUMP MODEL



JABSCO PUMP DETAILS							SERVICE KIT LISTING				
MODEL NUMBER *OEM ONLY	UK/ USA	PUMP SIZE	PORT TYPE	MOUNT TYPE	OBSOLETE	ALTERNATE PUMP NUMBER	PART KEY	1	2	3	4
							KIT NUMBER	GASKET/ O-RING	IMPELLER	WATER SEAL	END COVER SCREWS
29300-2101	UK	10	3/8" BSP	Flange	•		SK404-0001	29308-0000	22405-0001	SP2701-1006	X3004-095G
29300-2101C	UK	10	3/8" BSP	Flange	•		SK404-0001	29308-0000	22405-0001	SP2701-1006	X3004-095G
29300-2151C	UK	10	3/8" BSP	Flange	•		SK404-0001	29308-0000	22405-0001	SP2701-1006	X3004-095G
29300-2201	UK	10	3/8" BSP	Flange	•		SK404-0001	29308-0000	22405-0001	SP2701-1006	X3004-095G
29300-2201C	UK	10	3/8" BSP	Flange	•		SK404-0001	29308-0000	22405-0001	SP2701-1006	X3004-095G
29300-2301	UK	10	3/8" BSP	Flange	•		SK404-0001	29308-0000	22405-0001	SP2701-1006	X3004-095G
29300-2401	UK	10	3/8" BSP	Flange	•		SK404-0001	29308-0000	22405-0001	SP2701-1006	X3004-095G
29300-2401C	UK	10	3/8" BSP	Flange	•		SK404-0001	29308-0000	22405-0001	SP2701-1006	X3004-095G
29300-2501	UK	10	3/8" BSP	Flange	•		SK404-0001	29308-0000	22405-0001	SP2701-1006	X3004-095G
29300-2501C	UK	10	3/8" BSP	Flange	•		SK404-0001	29308-0000	22405-0001	SP2701-1006	X3004-095G
29300-2601C	UK	10	3/8" BSP	Flange			SK404-0001	29308-0000	22405-0001	SP2701-1006	X3004-095G
29300-2731C	UK	10	3/8" BSP	Flange			–	X4020-244A	22405-0001	SP2701-1006	X3001-095F
29340-2101C	UK	10	3/8" BSP	Flange	•		–	–	–	–	–
29350-1001	UK	10	Ø 18 Hose	Flange			SK23-0101	1126	4528-0001	SP2701-14	SP1002-01
29350-1101	UK	10	Ø 20 Hose	Flange			SK23-0101	1126	4528-0001	SP2701-14	SP1002-01
29370-2001C	UK	10			•		–	–	–	–	–
29400-1001	UK	20	Ø 20 Hose	Flange	•		SK404-0001	29308-0000	22405-0001	SP2701-1006	X3004-095G
29400-1051	UK	20	Ø 20 Hose	Flange	•		SK404-0001	29308-0000	22405-0001	SP2701-1006	X3004-095G
29400-1101	UK	20	Ø 20 Hose	Flange	•		SK404-0001	29308-0000	22405-0001	SP2701-1006	X3004-095G
29400-1151	UK	20	Ø 20 Hose	Flange	•		SK404-0001	29308-0000	22405-0001	SP2701-1006	X3004-095G
29410-1101	UK	20	Ø 20 Hose	Flange	•		SK404-0001	29308-0000	18653-0001	SP2701-1006	X3004-095G
29440-1001	UK	20	Ø 25 Hose	Crank			SK402-0001	1985-0000	18653-0001	29441-0000	SP1004-09
29440-1051	UK	20	Ø 25 Hose	Crank			SK402-0001	1985-0000	18653-0001	29441-0000	SP1004-09
29440-1101	UK	20	Ø 25 Hose	Crank			SK402-0001	1985-0000	18653-0001	29441-0000	SP1004-09
29440-1201	UK	20	Ø 25 Hose	Crank	•		SK402-0001	1985-0000	18653-0001	29441-0000	SP1004-09
29450-1101	UK	20	Ø 20 Hose	Flange	•		SK387-0001	2995-0030	673-0001	SP2700-05	SP1002-01
29450-1201	UK	20	Ø 20 Hose	Flange			SK387-0001	2995-0030	673-0001	SP2700-05	SP1002-01
29450-1231	UK	20	Ø 20 Hose	Flange			SK387-0001	2995-0030	673-0001	SP2700-05	SP1002-01
29450-1301	UK	20	Ø 20 Hose	Flange			SK387-0001	2995-0030	673-0001	SP2700-05	SP1002-01



GENERAL PARTS LISTING										
5	6	7	8	9	10	11	12	13	14	
CAM	CAM SCREW	PUMP END OIL SEAL	PUMP END BEARING	DRIVE END OIL SEAL	DRIVE END BEARING	SHAFT	WEARPLATE	END COVER	BODY	
29303-0000	SP1002-09	SP2701-1006	SP2601-0463	–	SP2601-0463	29307-0020	29306-0000	29305-0000	29304-2000	
29303-0000	SP1002-09	SP2701-1006	SP2601-0463	–	SP2601-0463	29307-0020	29306-0000	29305-0000	29304-2000	
–	–	SP2701-1006	SP2601-0463	–	SP2601-0463	29307-0020	29306-0000	29305-0000	29304-2000	
29303-0000	SP1002-09	SP2701-1006	SP2601-0463	–	SP2601-0463	29307-0020	29306-0000	29305-0000	29304-2000	
29303-0000	SP1002-09	SP2701-1006	SP2601-0463	–	SP2601-0463	29307-0020	29306-0000	29305-0000	29304-2000	
29303-0000	SP1002-09	SP2701-1006	SP2601-0463	–	SP2601-0463	29307-0040	29306-0000	29305-0000	29304-2000	
29303-0000	SP1002-09	SP2701-1006	SP2601-0463	–	SP2601-0463	29307-0030	29306-0000	29305-0000	29304-2000	
29303-0000	SP1002-09	SP2701-1006	SP2601-0463	–	SP2601-0463	29307-0030	29306-0000	29305-0000	29304-2000	
29303-0000	SP1002-09	SP2701-1006	SP2601-0463	–	SP2601-0463	29307-0040	29306-0000	29305-0000	29304-2000	
29303-0000	SP1002-09	SP2701-1006	SP2601-0463	–	SP2601-0463	29307-0040	29306-0000	29305-0000	29304-2000	
29303-0000	SP1002-09	SP2701-1006	SP2601-0463	–	SP2601-0463	29307-0050	29306-0000	29305-0000	29304-2000	
Not Fitted	Not Fitted	SP2701-1006	SP2601-0463	–	SP2601-0463	29307-0030	–	29305-0100	29304-2100	
–	–	–	–	–	–	–	–	–	–	
2763	SP1002-02	SP2701-14	SP2601-0459	–	SP2601-0459	29357-0000	2765	AL6-200	29354-1000	
2763	SP1002-02	SP2701-14	SP2601-0459	–	SP2601-0459	29357-0000	2765	AL6-200	29354-1100	
–	–	–	–	–	–	–	–	–	–	
2907-0001	SP1002-02	SP2701-1006	SP2601-0457	–	SP2601-0457	29457-0010	–	3992	29404-1100	
2441	SP1002-0152	SP2701-1006	SP2601-0457	–	SP2601-0457	29457-0010	–	3992	29404-1100	
2907-0001	SP1002-02	SP2701-1006	SP2601-0457	–	SP2601-0457	29467-0000	–	3992	29404-1100	
2441	SP1002-0152	SP2701-1006	SP2601-0457	–	SP2601-0457	29467-0000	–	3992	29404-1100	
2907-0001	SP1002-02	SP2701-1006	SP2601-0463	–	SP2601-0463	29417-0100	–	3992	29414-1100	
2907-0001	SP1002-02	–	SP2600-09	–	–	29447-0000	–	9328	29444-1000	
2441	SP1002-0152	–	SP2600-09	–	–	29447-0000	–	9328	29444-1000	
2907-0001	SP1002-02	–	SP2600-09	–	–	29447-0000	–	9328	29444-1000	
2907-0001	SP1002-02	–	SP2600-09	–	–	29447-0000	–	9328	29444-1000	
2907-0001	SP1002-02	SP2700-05	SP2601-0457	–	SP2601-0457	29457-0010	–	3992	29454-1100	
2907-0001	SP1002-02	SP2700-05	SP2601-0457	–	SP2601-0457	29457-0020	–	3992	29454-1200	
10818	SP1002-02	SP2700-05	SP2601-0457	–	SP2601-0457	29457-0020	–	3992	29454-1200	
2907-0001	SP1002-02	SP2700-05	SP2601-0457	–	SP2601-0457	29457-0010	–	3992	29454-1300	

# 13 Service Parts

FLEXIBLE IMPELLER PUMP SPARES BY PUMP MODEL



JABSCO PUMP DETAILS							SERVICE KIT LISTING				
MODEL NUMBER *OEM ONLY	UK/ USA	PUMP SIZE	PORT TYPE	MOUNT TYPE	OBSOLETE	ALTERNATE PUMP NUMBER	PART KEY	1	2	3	4
							KIT NUMBER	GASKET/ O-RING	IMPELLER	WATER SEAL	END COVER SCREWS
29450-1401	UK	20	Ø 20 Hose	Flange			SK387-0001	2995-0030	673-0001	SP2700-05	SP1002-01
29450-1431	UK	20	Ø 20 Hose	Flange	•		SK387-0001	2995-0030	673-0001	SP2700-05	SP1002-01
29450-1601	UK	20	Ø 20 Hose	Flange			–	X5251-049	653-0001	SP2701-1006	X3001-174F
29450-1641	UK	20	Ø 20 Hose	Flange			–	2995-0030	653-0001	SP2701-1006	SP1002-01
29450-1701	UK	20	Ø 20 Hose	Flange			–	X5251-049	653-0001	SP2701-1006	X3001-174F
29450-1801	UK	20	Ø 20 Hose	Flange			SK387-0001	2995-0030	653-0001	SP2701-1006	SP1002-01
29450-2131	UK	20	3/8" BSP	Flange	•		SK387-0001	2995-0030	673-0001	SP2700-05	SP1002-01
29450-2231	UK	20	3/8" BSP	Flange	•		SK387-0001	2995-0030	673-0001	SP2700-05	SP1002-01
29460-1001	UK	20	Ø 20 Hose	Flange	•		SK401-0001	2995-0030	18653-0001	SP2701-1006	SP1002-01
29460-1041*	UK	20	Ø 20 Hose	Flange		29460-10-1041	–	X5251-049	653-0001	SP2701-1006	X3001-174F
29460-1051*	UK	20	Ø 20 Hose	Flange		29460-10-1051	–	X5251-049	653-0001	SP2701-1006	X3001-174F
29460-1101	UK	20	Ø 20 Hose	Flange	•		SK401-0001	2995-0030	18653-0001	SP2701-1006	SP1002-01
29460-1201	UK	20	Ø 20 Hose	Flange	•		SK401-0001	2995-0030	18653-0001	SP2701-1006	SP1002-01
29460-1251	UK	20	Ø 20 Hose	Flange	•		SK401-0001	2995-0030	18653-0001	SP2701-1006	SP1002-01
29460-1261	UK	20	Ø 20 Hose	Flange			–	2995-0030	653-0001	SP2701-1006	SP1002-01
29460-1301	UK	20	Ø 20 Hose	Flange	•		SK401-0001	2995-0030	18653-0001	SP2701-1006	SP1002-01
29460-1401	UK	20	Ø 20 Hose	Flange	•		SK401-0001	2995-0030	18653-0001	SP2701-1006	SP1002-01
29460-1431	UK	20	Ø 20 Hose	Flange			SK401-0001	2995-0030	18653-0001	SP2701-1006	SP1002-01
29460-1631	UK	20	Ø 20 Hose	Flange			–	X5251-049	18653-0001	SP2701-1006	X3001-174F
29460-1701	UK	20	Ø 20 Hose	Flange			–	X5251-049	18653-0001	SP2701-1006	X3001-174F
29460-2231	UK	20	Ø 20 Hose	Flange	•		SK387-0001	2995-0030	18653-0001	SP2701-1006	SP1002-01
29460-2501	UK	20	3/8" BSP	Flange			SK401-0001	2995-0030	18653-0001	SP2701-1006	SP1002-01
29460-10-1041	UK	20	Ø 20 Hose	Flange			–	X4020-257A	653-0001	SP2701-1006	X3001-174F
29460-10-1051	UK	20	Ø 20 Hose	Flange			–	X5251-049	653-0001	SP2701-1006	X3001-174F
29470-1101	UK	20	Ø 16 Hose	Flange	•		SK405-0001	29476-0000	18653-0001	SP2701-1006	X3004-095G
29470-1231	UK	20	Ø 16 Hose	Flange	•		SK405-0001	29476-0000	18653-0001	SP2701-1006	X3004-095G
29470-1231C	UK	20	Ø 16 Hose	Flange			SK405-0001	29476-0000	18653-0001	SP2701-1006	X3004-095G

GENERAL PARTS LISTING										
5	6	7	8	9	10	11	12	13	14	
CAM	CAM SCREW	PUMP END OIL SEAL	PUMP END BEARING	DRIVE END OIL SEAL	DRIVE END BEARING	SHAFT	WEARPLATE	END COVER	BODY	
2907-0001	SP1002-02	SP2700-05	SP2601-0457	–	SP2601-0457	29457-0020	–	3992	29454-1400	
10818	SP1002-02	SP2700-05	SP2601-0457	–	SP2601-0457	29457-0020	–	3992	29454-1400	
Not Fitted	Not Fitted	SP2701-1006	SP2601-0457	–	SP2601-0457	29457-0040	–	29405-0000	29454-1800	
2907-0001	SP1002-02	SP2701-1006	SP2601-0457	–	SP2601-0457	29457-0040	–	3992	29454-1600	
Not Fitted	Not Fitted	SP2701-1006	SP2601-0457	–	SP2601-0457	29457-0050	–	29405-0000	29454-1700	
2907-0001	SP1002-02	SP2701-1006	SP2601-0457	–	SP2601-0457	29457-0060	–	3992	29454-1610	
10818	SP1002-02	SP2701-1006	SP2601-0457	–	SP2601-0457	29457-0030	–	3992	29454-1500	
10818	SP1002-02	SP2700-05	SP2601-0457	–	SP2601-0457	29457-0020	–	3992	29454-1400	
2907-0001	SP1002-02	SP2701-1006	SP2601-0457	–	SP2601-0457	29467-0000	–	3992	29464-1000	
–	–	SP2701-1006	SP2601-0457	–	SP2601-0457	29467-0000	–	29405-0000	29454-1940	
–	–	SP2701-1006	SP2601-0457	–	SP2601-0457	29467-0000	–	29405-0000	29454-1950	
2907-0001	SP1002-02	SP2701-1006	SP2601-0457	–	SP2601-0457	29467-0000	–	3992	29464-1100	
2907-0001	SP1002-02	SP2701-1006	SP2601-0457	–	SP2601-0457	29467-0000	–	3992	29464-1100	
2441	SP1002-0152	SP2701-1006	SP2601-0457	–	SP2601-0457	29467-0000	–	3992	29464-1100	
29462-0000	SP1002-09	SP2701-1006	SP2601-0457	–	SP2601-0457	29467-0000	–	3992	29464-1100	
2907-0001	SP1002-02	SP2701-1006	SP2601-0457	–	SP2601-0457	29467-0000	–	3992	29464-1300	
2907-0001	SP1002-02	SP2701-1006	SP2601-0457	–	SP2601-0457	29467-0010	–	3992	29464-1200	
10818	SP1002-02	SP2701-1006	SP2601-0457	–	SP2601-0457	29467-0010	–	3992	29464-1200	
–	–	SP2701-1006	SP2601-0457	–	SP2601-0457	29467-0010	–	29405-0000	29454-1230	
–	–	SP2701-1006	SP2601-0457	–	SP2601-0457	29467-0020	–	29405-0000	29454-1301	
10818	SP1002-02	SP2701-1006	SP2601-0457	–	SP2601-0457	29457-0030	–	3992	29464-1500	
2907-0001	SP1002-02	SP2701-1006	SP2601-0457	–	SP2601-0457	29467-0010	–	3992	29464-1200	
–	–	SP2701-1006	SP2601-0457	–	SP2601-0457	29467-0000	–	29405-0000	29454-1940	
–	–	SP2701-1006	SP2601-0457	–	SP2601-0457	29467-0000	–	29405-0000	29454-1950	
2907-0001	SP1002-02	SP2701-1006	SP2601-0463	–	SP2601-0463	29467-0020	–	29475-0000	29474-1000	
10818	SP1002-02	SP2701-1006	SP2601-0463	–	SP2601-0463	29477-0020	–	29475-0000	29474-1000	
10818	SP1002-02	SP2701-1006	SP2601-0463	–	SP2601-0463	29477-0020	–	29475-0000	29474-1000	

# 13 Service Parts

FLEXIBLE IMPELLER PUMP SPARES BY PUMP MODEL



JABSCO PUMP DETAILS							SERVICE KIT LISTING				
MODEL NUMBER *OEM ONLY	UK/ USA	PUMP SIZE	PORT TYPE	MOUNT TYPE	OBSOLETE	ALTERNATE PUMP NUMBER	PART KEY	1	2	3	4
							KIT NUMBER	GASKET/ O-RING	IMPELLER	WATER SEAL	END COVER SCREWS
29470-2031	UK	20	3/8" BSP	Flange	•		SK405-0001	29476-0000	18653-0001	SP2701-1006	X3004-095G
29470-2031C	UK	20	3/8" BSP	Flange			SK405-0001	29476-0000	18653-0001	SP2701-1006	X3004-095G
29470-2131	UK	20	3/8" BSP	Flange	•		SK405-0001	29476-0000	18653-0001	SP2701-1006	X3004-095G
29470-2131C	UK	20	3/8" BSP	Flange	•		SK405-0001	29476-0000	18653-0001	SP2701-1006	X3004-095G
29470-2201C	UK	20	3/8" BSP	Flange	•		SK405-0001	29476-0000	18653-0001	SP2701-1006	X3004-095G
29470-2231	UK	20	3/8" BSP	Flange	•		SK405-0001	29476-0000	18653-0001	SP2701-1006	X3004-095G
29470-2231C	UK	20	3/8" BSP	Flange			SK405-0001	29476-0000	18653-0001	SP2701-1006	X3004-095G
29470-2301	UK	20	3/8" BSP	Flange	•		SK405-0001	29476-0000	18653-0001	SP2701-1006	X3004-095G
29470-2301C	UK	20	3/8" BSP	Flange	•		SK405-0001	29476-0000	18653-0001	SP2701-1006	X3004-095G
29470-2331	UK	20	3/8" BSP	Flange	•		SK405-0001	29476-0000	18653-0001	SP2701-1006	X3004-095G
29470-2331C	UK	20	3/8" BSP	Flange			SK405-0001	29476-0000	18653-0001	SP2701-1006	X3004-095G
29470-2351	UK	20	3/8" BSP	Flange	•		SK405-0001	29476-0000	18653-0001	SP2701-1006	X3004-095G
29470-2351C	UK	20	3/8" BSP	Flange			SK405-0001	29476-0000	18653-0001	SP2701-1006	X3004-095G
29470-2431	UK	20	3/8" BSP	Flange	•		SK405-0001	29476-0000	18653-0001	SP2701-1006	X3004-095G
29470-2431C	UK	20	3/8" BSP	Flange			SK405-0001	29476-0000	18653-0001	SP2701-1006	X3004-095G
29470-2531	UK	20	3/8" BSP	Flange	•		SK405-0001	29476-0000	18653-0001	SP2701-1006	X3004-095G
29470-2531C	UK	20	3/8" BSP	Flange			SK405-0001	29476-0000	18653-0001	SP2701-1006	X3004-095G
29480-2031	UK	20	3/8" BSP	Flange	•		SK405-0001	29476-0000	18653-0001	SP2701-1006	X3004-095G
29480-2031C	UK	20	3/8" BSP	Flange	•		SK405-0001	29476-0000	18653-0001	SP2701-1006	X3004-095G
29480-2131	UK	20	3/8" BSP	Flange	•		SK405-0001	29476-0000	18653-0001	SP2701-1006	X3004-095G
29480-2151	UK	20	3/8" BSP	Flange	•		SK405-0001	29476-0000	18653-0001	SP2701-1006	X3004-095G
29480-2231	UK	20	3/8" BSP	Flange	•		SK405-0001	29476-0000	18653-0001	SP2701-1006	X3004-095G
29480-2231C	UK	20	3/8" BSP	Flange	•		SK405-0001	29476-0000	18653-0001	SP2701-1006	X3004-095G
29480-2431	UK	20	3/8" BSP	Flange			–	29476-0000	18653-0001	SP2701-1006	X3004-095G
29490-2001C	UK	20	3/8" BSP	Flange	•		SK405-0001	29476-0000	18653-0001	SP2701-1006	X3004-095G
29500	UK	40	Ø 28 Hose	Flange	•		SK384-0001	3298	1210-0001	SP2700-1027	SP1002-02
29500-1001	UK	40	Ø 28 Hose	Flange			SK384-0001	3298	1210-0001	SP2700-1027	SP1002-02
29500-1101	UK	40	Ø 28 Hose	Flange	•		SK384-0001	3298	1210-0001	SP2700-1027	SP1002-02

GENERAL PARTS LISTING										
5	6	7	8	9	10	11	12	13	14	
CAM	CAM SCREW	PUMP END OIL SEAL	PUMP END BEARING	DRIVE END OIL SEAL	DRIVE END BEARING	SHAFT	WEARPLATE	END COVER	BODY	
10818	SP1002-02	SP2701-1006	SP2601-0463	–	SP2601-0463	29477-0010	–	29475-0000	29474-2000	
10818	SP1002-02	SP2701-1006	SP2601-0463	–	SP2601-0463	29477-0010	–	29475-0000	29474-2000	
10818	SP1002-02	SP2701-1006	SP2601-0463	–	SP2601-0463	29477-0000	–	29475-0000	29474-2000	
10818	SP1002-02	SP2701-1006	SP2601-0463	–	SP2601-0463	29477-0000	–	29475-0000	29474-2000	
2907-0001	SP1002-02	SP2701-1006	SP2601-0463	–	SP2601-0463	29477-0000	–	29475-0000	29474-2000	
10818	SP1002-02	SP2701-1006	SP2601-0463	–	SP2601-0463	29477-0020	–	29475-0000	29474-2000	
10818	SP1002-02	SP2701-1006	SP2601-0463	–	SP2601-0463	29477-0020	–	29475-0000	29474-2000	
2907-0001	SP1002-09	SP2701-1006	SP2601-0463	–	SP2601-0463	29477-0030	–	29475-0000	29474-2000	
2907-0001	SP1002-09	SP2701-1006	SP2601-0463	–	SP2601-0463	29477-0030	–	29475-0000	29474-2000	
10818	SP1002-02	SP2701-1006	SP2601-0463	–	SP2601-0463	29477-0030	–	29475-0000	29474-2000	
10818	SP1002-02	SP2701-1006	SP2601-0463	–	SP2601-0463	29477-0030	–	29475-0000	29474-2000	
2441	SP1002-01	SP2701-1006	SP2601-0463	–	SP2601-0463	29477-0030	–	29475-0000	29474-2000	
2441	SP1002-01	SP2701-1006	SP2601-0463	–	SP2601-0463	29477-0030	–	29475-0000	29474-2000	
10818	SP1002-02	SP2701-1006	SP2601-0463	–	SP2601-0463	29477-0040	–	29475-0000	29474-2000	
10818	SP1002-02	SP2701-1006	SP2601-0463	–	SP2601-0463	29477-0040	–	29475-0000	29474-2000	
10818	SP1002-02	SP2701-1006	SP2601-0463	–	SP2601-0463	29477-0020	–	29475-0000	29474-2000	
10818	SP1002-02	SP2701-1006	SP2601-0463	–	SP2601-0463	29477-0020	–	29475-0000	29474-2000	
10818	SP1002-02	SP2701-1006	SP2601-0463	–	SP2601-0463	29487-0000	–	29475-0000	29484-2000	
10818	SP1002-02	SP2701-1006	SP2601-0463	–	SP2601-0463	29487-0000	–	29475-0000	29484-2000	
10818	SP1002-02	SP2701-1006	SP2601-0463	–	SP2601-0463	29486-0000	–	29475-0000	29484-2000	
2441	SP1002-01	SP2701-1006	SP2601-0463	–	SP2601-0463	29486-0000	–	29475-0000	29484-2000	
10818	SP1002-02	SP2701-1006	SP2601-0463	–	SP2601-0463	29486-0000	–	29475-0000	29484-2000	
10818	SP1002-02	SP2701-1006	SP2601-0463	–	SP2601-0463	29486-0000	–	29475-0000	29484-2000	
10818	SP1002-02	SP2701-1006	SP2601-0463	–	SP2601-0463	29487-0100	–	29475-0000	29484-2000	
10818	SP1002-02	SP2701-1006	SP2601-0463	–	SP2601-0463	29497-0000	–	29475-0000	29494-2000	
490	SP1003-01	SP2700-1027	SP2601-0451	–	SP2601-0451	29508-0000	7883	3992	29504-1000	
490	SP1003-01	SP2700-1027	SP2601-0451	–	SP2601-0451	29508-0000	7883	3992	29504-1000	
490	SP1003-01	SP2700-1027	SP2601-0451	–	SP2601-0451	29517-0000	7883	3992	29504-1000	

# 13 Service Parts

FLEXIBLE IMPELLER PUMP SPARES BY PUMP MODEL



JABSCO PUMP DETAILS							SERVICE KIT LISTING				
MODEL NUMBER *OEM ONLY	UK/ USA	PUMP SIZE	PORT TYPE	MOUNT TYPE	OBSOLETE	ALTERNATE PUMP NUMBER	PART KEY	1	2	3	4
							KIT NUMBER	GASKET/ O-RING	IMPELLER	WATER SEAL	END COVER SCREWS
29500-1201	UK	40	Ø 28 Hose	Flange			SK384-0001	3298	1210-0001	SP2700-1027	SP1002-02
29500-1251	UK	40	Ø 28 Hose	Flange			SK384-0001	3298	1210-0001	SP2700-1027	SP1002-02
29500-1351	UK	40	Ø 28 Hose	Flange	•	New Pipework	SK384-0001	3298	1210-0001	SP2700-1027	SP1002-02
29500-1401	UK	40	Ø 28 Hose	Flange			SK384-0001	3298	1210-0001	SP2700-1027	SP1002-02
29500-1451	UK	40	Ø 28 Hose	Flange	•		SK384-0001	3298	1210-0001	SP2700-1027	SP1002-02
29500-1501	UK	40	Ø 28 Hose	Flange			SK384-0001	3298	1210-0001	SP2700-1027	SP1002-02
29500-1901	UK	40	Ø 28 Hose	Flange			SK384-0001	3298	1210-0001	SP2700-1027	SP1002-02
29500-3001	UK	40	Ø 28 Hose	Flange	•	29500- 1001	SK384-0001	3298	1210-0001	SP2700-1027	SP1002-02
29520-2001	UK	40	3/4" BSP	Flange			SK239	3298	1210-0001	22617-0010	SP1002-02
29530-2001	UK	40	3/4" BSPF	Crank			–	3298	1210-0001	SP2700-1027	X3001-095F
29540-1001	UK	40	Ø 32 Hose	Bracket	•		–	3298	1210-0001	SP2700-1027	X3001-095F
29540-1101	UK	40	Ø 32 Hose	Flange			–	3298	1210-0001	SP2700-1027	X3001-095F
29540-1201	UK	40	Ø 32 Hose	Bracket	•		–	3298	1210-0001	SP2700-1027	X3001-095F
29540-1301	UK	40	Ø 32 Hose	Flange			–	3298	1210-0001	SP2700-1027	X3001-095F
29600-1001	UK	80	Ø 32 Hose	Flange		New Pipework	SK385-0101	890	17937-0001	SP6080- 0469	SP1003-0111
29600-1101	UK	80	Ø 32 Hose	Flange	•		SK385-0101	890	17937-0001	SP6080- 0469	SP1003-0111
29600-1201	UK	80	Ø 32 Hose	Flange			SK385-0101	890	17937-0001	SP6080- 0469	SP1003-0111
29600-1641	UK	80	Ø 32 Hose	Flange	•		SK385-0601	890	920-0001	SP6080- 0469	SP1003-0111
29600-1741	UK	80	Ø 32 Hose	Flange			SK385-0601	890	920-0001	SP6080- 0469	SP1003-0111
29600-1801	UK	80	Ø 32 Hose	Flange			SK385-0101	890	17937-0001	SP6080- 0469	SP1003-0111
29620-2001	UK	80	1" BSP	Flange			SK229	890	17937-0001	22617-0010	SP1003-09
29630-1001	UK	80	Ø 32 Hose	Flange	•	29640- 1101	SK385-0601	890	920-0001	SP6080- 0469	SP1003-0111
29630-1101	UK	80	Ø 32 Hose	Flange	•	29630- 1201	SK385-0601	890	920-0001	SP6080- 0469	X5258-013
29630-1141	UK	80	Ø 32 Hose	Flange	•	29630- 1241	SK385-0601	890	920-0001	SP6080- 0469	X5258-013
29630-1201*	UK	80	Ø 32 Hose	Flange			SK385-0601	890	920-0001	SP6080- 0469	X5258-013
29630-1241*	UK	80	Ø 32 Hose	Flange			SK385-0601	890	920-0001	SP6080- 0469	X5258-013
29640-1001	UK	80	Ø 32 Hose	Flange			SK385-0101	890	17937-0001	SP6080- 0469	SP1003-0111
29640-1101	UK	80	Ø 32 Hose	Flange			SK385-0101	890	17937-0001	SP6080- 0469	SP1003-0111
29700-1101	UK	120	Ø 45 Hose	Flange	•		SK386-0001	890	17018-0001	SP6080- 0469	SP1003-0111
29700-1201	UK	120	Ø 45 Hose	Flange			SK386-0001	890	17018-0001	SP6080- 0469	SP1003-0111
29700-1301	UK	120	Ø 45 Hose	Flange			SK386-0001	890	17018-0001	SP6080- 0469	SP1003-0111

GENERAL PARTS LISTING										
5	6	7	8	9	10	11	12	13	14	
CAM	CAM SCREW	PUMP END OIL SEAL	PUMP END BEARING	DRIVE END OIL SEAL	DRIVE END BEARING	SHAFT	WEARPLATE	END COVER	BODY	
490	SP1003-01	SP2700-1027	SP2601-0451	–	SP2601-0451	29518-0000	7883	3992	29504-1000	
10336	SP1003-09	SP2700-1027	SP2601-0451	–	SP2601-0451	29518-0000	7883	3992	29504-1000	
10336	SP1003-09	SP2700-1027	SP2601-0451	–	SP2601-0451	29518-0000	7883	3992	29504-1000	
490	SP1003-01	SP2700-1027	SP2601-0451	–	SP2601-0451	29503-0000	7883	3992	29504-1000	
10336	SP1003-09	SP2700-1027	SP2601-0451	–	SP2601-0451	29503-0000	7883	3992	29504-1000	
490	SP1003-01	SP2700-1027	SP2601-0451	–	SP2601-0451	29516-0000	7883	3992	29504-1000	
490	SP1003-01	SP2700-1027	SP2601-0451	–	SP2601-0451	29507-0020	7883	3992	29504-1000	
490	SP1003-01	SP2700-1027	SP2601-0452	–	SP2601-0452	29507-0000	7883	3992	29504-1000	
490	SP1003-01	SP2701-21	SP2600-01	–	SP2600-01	29527-0000	7883	3992	10554-200	
490	SP1003-01	–	SP2600-0025	–	SP2600-0025	29537-0000	7883	29535-0000	29534-2000	
490	SP1003-01	–	SP601-0451	–	SP601-0451	29547-0100	–	29545-1101	29544-1000	
490	SP1003-01	–	SP601-0451	–	SP601-0451	29547-0100	–	29545-1101	29544-1000	
490	SP1003-01	–	SP601-0451	–	SP601-0451	29547-0100	–	29545-1201	29544-1000	
490	SP1003-01	–	SP601-0451	–	SP601-0451	29547-0100	–	29545-1201	29544-1000	
934-0000	SP1004-09	SP2700-1027	SP2600-0500	–	SP2600-0500	29607-0000	4156	3993	29604-1000	
934-0000	SP1004-09	SP2700-1027	SP2600-0500	–	SP2600-0500	29606-0000	4156	3993	29604-1000	
934-0000	SP1004-09	SP2700-1027	SP2600-0500	–	SP2600-0500	29608-0000	4156	3993	29604-1200	
3255	SP1004-11	SP2700-1027	SP2600-0500	–	SP2600-0500	29609-0000	4156	3993	29604-1300	
3255	SP1004-11	SP2700-1027	SP2600-0500	–	SP2600-0500	29606-0200	4156	3993	29604-1600	
934-0000	SP1004-09	SP6080-0469	SP2600-0500	–	SP2600-0500	29609-0100	4156	3993	29604-1300	
934-0000	SP1004-09	SP2701-21	SP2600-01	–	SP2600-01	29627-0000	4156	3993	10329-200	
934-0000	SP1004-09	SP2700-1027	SP2601-0468	–	SP2601-0468	29637-0000	4156	3993	29634-1000	
934-0000	SP1004-09	SP2700-1027	SP2601-0468	–	SP2601-0468	29637-0000	4156	3993	29634-1100	
3255	SP1004-11	SP2700-1027	SP2601-0468	–	SP2601-0468	29637-0000	4156	3993	29634-1100	
934-0000	SP1004-09	SP2700-1027	SP2601-0468	–	SP2601-0468	29637-0100	4156	3993	29634-1000	
3255	SP1004-11	SP2700-1027	SP2601-0468	–	SP2601-0468	29637-0100	4156	3993	29634-1100	
934-0000	SP1004-09	SP2700-1027	SP2600-0500	–	SP2600-0500	29647-0000	4156	3993	29604-1000	
934-0000	SP1004-09	SP2700-1027	SP2600-0500	–	SP2600-0500	29647-0000	4156	3993	29604-1300	
23341-0000	SP1004-09	SP2701-0903	SP2600-11	–	SP2600-11	29707-0000	4156	3993	29704-1200	
23341-0000	SP1004-09	SP2701-0903	SP2600-11	–	SP2600-11	29708-0000	4156	3993	29704-1200	
23341-8000	SP1004-09	SP2701-0903	SP2600-11	–	SP2600-11	29707-0000	4156	3993	29704-1300	

# 13 Service Parts

FLEXIBLE IMPELLER PUMP SPARES BY PUMP MODEL



JABSCO PUMP DETAILS							SERVICE KIT LISTING				
MODEL NUMBER *OEM ONLY	UK/ USA	PUMP SIZE	PORT TYPE	MOUNT TYPE	OBSOLETE	ALTERNATE PUMP NUMBER	PART KEY	1	2	3	4
							KIT NUMBER	GASKET/ O-RING	IMPELLER	WATER SEAL	END COVER SCREWS
29700-1331	UK	120	Ø 45 Hose	Flange			SK386-0001	890	17018-0001	SP6080-0469	SP1003-0111
29700-1401	UK	120	Ø 45 Hose	Flange			SK386-0001	890	17018-0001	SP6080-0469	SP1003-0111
29750-1001	UK	200	Ø 38 Hose	Foot	•		–	X4020-399A	836-0001	21849	X5255-002
29770-0001	UK	200	1-1/2" Flanged	Flange			–	816	17935-0001	21849	SP1095-0640
29800-1001	UK	270	Ø 51 Hose	Foot	•		–	X4020-399A	6760-0001	21849	X5255-002
29830-0001	UK	300	2-1/4" Flanged	Flange			SK424-0001	X4020-399A	17938-0001	21849	X3001-176F
29830-0101	UK	300	2-1/4" Flanged	Flange			SK424-0001	X4020-399A	17938-0001	21849	X3001-176F
29850-0031	UK	370	2-3/4" Flanged	Flange	•	29880-0001	SK410	X4020-424A	17420-0001	21849	SP1094-0060
29860-2001	UK	470	2-1/2" Flanged	Foot	•		SK410	X4020-424A	17240-0001	21849	X5255-002
29860-2101	UK	470	2-1/2" Flanged	Foot	•		SK410	X4020-424A	17240-0001	21849	X5255-002
29860-2201	UK	470	2-1/2" Flanged	Foot		SK412-0001	SK410	X4020-424A	17240-0001	21849	X5255-002
29870-2001	UK	470	2-1/2" Flanged	Foot			SK410	X4020-424A	17240-0001	21849	X5255-002
29870-2101	UK	470	2-1/2" Flanged	Foot			SK410	X4020-424A	17240-0001	21849	X5255-002
29880-0001	UK	470	2-3/4" Flanged	Flange		Respecified	SK410	X4020-424A	17240-0001	21849	X3001-180F
29880-0101	UK	470	2-3/4" Flanged	Flange	•	29890-0101	SK410	X4020-424A	17240-0001	21849	X3001-180F
29880-0201	UK	470	2-3/4" Flanged	Flange			SK410	–	17240-0001	21849	X3001-207F
29890-0001	UK	470	2-3/4" Flanged	Flange			SK410	–	17240-0001	21849	X3001-180F
30190-0000	USA	130	1-3/4" Flanged	Flange			–	92000-0560	30919-0001	18753-0342	18753-0495
30190-0001	USA	130	1-3/4" Flanged	Flange			–	92000-0560	30919-0001	18753-0342	18753-0495
30410-9001	USA	40	1-1/2" NPT	Flange	•		–	18753-0133	1210-0001	96080-0080	–
30890-0001	USA	130	2" Hose	Flange			–	18753-0343	30919-0001	18753-0342	18753-0495
30890-0051	USA	130	2" Hose	Flange			–	18753-0343	30919-0001	18753-0342	18753-0495
30891-0001	USA	130	2" Hose	Flange			–	18753-0343	30919-0001	18753-0342	18753-0495
30891-0002	USA	130	2" Hose	Flange			–	18753-0343	30919-0001	18753-0342	18753-0495
30892-0001	USA	130	2" Hose	Flange			90135-0001	18753-0343	30919-0001	18753-0342	18753-0346
30910-0000	USA	130	2" Hose	Foot			90135-0001	18753-0343	30919-0001	18753-0342	18753-0346
30940-0001	USA	130	2" Hose	Foot			90135-0001	18753-0343	30919-0001	18753-0342	18753-0346
30940-0011	USA	130	2" Hose	Foot			90135-0001	18753-0343	30919-0001	18753-0342	18753-0346
42730-0000	USA	120	1" NPT	Foot			90124-0001	18753-0330	18948-0001	96080-0080	18753-0332
43210-0001	USA	80	1-1/4" Hose	Flange			90196-0001	43205-1000	17954-0001	18753-0328	18753-0314



GENERAL PARTS LISTING										
5	6	7	8	9	10	11	12	13	14	
CAM	CAM SCREW	PUMP END OIL SEAL	PUMP END BEARING	DRIVE END OIL SEAL	DRIVE END BEARING	SHAFT	WEARPLATE	END COVER	BODY	
23342-0000	SP1004-09	SP2701-0903	SP2600-11	–	SP2600-11	29707-0000	4156	3993	29704-1300	
23341-0000	SP1004-09	SP2701-0903	SP2600-11	–	SP2600-11	29708-0100	4156	3993	29704-1400	
29752-0000	SP1005-04	SP2701-1014	SP2600-11	–	SP2600-11	29757-0000	2574	29805-0000	29734-1000	
834	SP1005-04	SP2700-0050	SP2600-32	–	–	21239-0020	2574	9336	10634	
29802-0000	SP1005-04	SP2701-1014	SP2600-11	–	SP2600-11	29807-0000	2574	29805-0000	29804-1000	
29838-0000	X3001-205F	SP2701-54	SP2601-37	–	SP2601-37	29827-0100	2574	29825-0000	29834-0000*	
29838-0000	X3001-205F	SP2701-54	SP2601-37	–	SP2601-37	29827-0100	2574	29825-0100	29834-0000*	
23342-0000	SP1004-09	SP2701-54	SP2601-0469	–	SP2601-0469	29857-0000	18787-6000	18784-1000	18783-0000	
29862-0000	X3001-207F	SP2701-54	SP2601-0458	–	SP2601-0458	29867-0000	29866-0000	29865-0000	29864-2000	
29862-0000	X3001-207F	SP2701-54	SP2601-0458	–	SP2601-0458	29867-0000	29866-0000	29865-0000	29864-2100	
29862-0200	X3001-207F	SP2701-54	SP2601-0458	–	SP2601-0458	29867-0000	29866-0000	29865-0000	29864-2000	
29862-0200	X3001-207F	SP2701-54	SP2601-0458	–	SP2601-0458	29867-0000	29866-0000	29865-0000	29864-2000	
29862-0200	X3001-207F	SP2701-54	SP2601-0458	–	SP2601-0458	29867-0000	29866-0000	29865-0000	29864-2000	
29862-0100	X3001-207F	SP2701-54	SP2601-0469	–	SP2601-0469	29887-0000	29866-0000	29885-0000	29884-0000	
29862-0100	X3001-207F	SP2701-54	SP2601-0469	–	SP2601-0469	29887-0100	29866-0000	29885-0000	29884-0000	
29862-0100	X3001-207F	SP2701-54	SP2601-0469	–	SP2601-0469	29887-0100	29866-0000	29885-0000	29884-0100	
29862-0100	X3001-207F	SP2701-54	SP2601-0469	–	SP2601-0469	29887-0100	29866-0000	29885-0000	29884-0200	
30192-0000	–	–	18753-0521	18753-0522	18753-0521	Proprietary	30193	30914-1000	Proprietary	
30192-0000	–	–	18753-0521	18753-0522	18753-0521	Proprietary	30193	30914-1000	Proprietary	
–	–	–	–	–	–	–	–	–	–	
30929-1000	18753-0495	–	18753-0521	18753-0469	18753-0521	30903-1000	30915-1000	30914-1000	30901-1000	
30933	18753-0495	–	18753-0521	–	18753-0521	30903-1000	30915-1000	30914-1000	–	
30929-1000	18753-0495	–	18753-0521	–	18753-0521	30906-1000	30915-1000	30914-1000	–	
30929-1000	18753-0495	–	18753-0521	–	18753-0521	30906-1000	30915-1000	30914-1000	–	
30929-1000	18753-0346	–	With Shaft Assembly	–	With Shaft Assembly	30908-0000	30915-1000	30914-1000	30901-0000	
30929-1000	18753-0346	–	With Shaft Assembly	–	With Shaft Assembly	30912-1000	30915-1000	30914-1000	30911-1000	
30929-1000	18753-0346	–	With Shaft Assembly	–	With Shaft Assembly	30912-1000	30915-1000	30914-1000	30911-1000	
30929-1000	18753-0346	–	With Shaft Assembly	–	With Shaft Assembly	30912-1000	30915-1000	30914-1000	30911-1000	
42737-1000	18753-0332	–	–	–	–	42739-1000	4156-0000	42738-1000	42734-1000	
43176-1000	–	–	18753-0318	–	18753-0318	43207-1000	43176-1000	43208-1000	43209-1000	

# 13 Service Parts

FLEXIBLE IMPELLER PUMP SPARES BY PUMP MODEL



JABSCO PUMP DETAILS							SERVICE KIT LISTING				
MODEL NUMBER *OEM ONLY	UK/ USA	PUMP SIZE	PORT TYPE	MOUNT TYPE	OBSOLETE	ALTERNATE PUMP NUMBER	PART KEY	1	2	3	4
							KIT NUMBER	GASKET/ O-RING	IMPELLER	WATER SEAL	END COVER SCREWS
43210-0001	USA	40	1" Hose	Flange		Cooling	90134-0001	–	3085-0001	–	–
47070-2001	UK	70	3/4" BSP	Foot	•		–	X4020-369F	31070-0051	SP6080-0469	X3001-078F
47100-2001	UK	100	1" BSP	Foot	•		–	X4020-389A	31100-0061	X5280-008	X3001-178F
47300-2001	UK	300	2" BSP	Foot	•		–	X4020-399A	31300-0051	21849	X3001-178F
50080-2001	UK	80	1" BSP	Foot			SK406-0001	890	17937-0001	SP2700-1027	X3001-147F
50080-2003	UK	80	1" BSP	Foot	•		SK406-0003	890	17937-0003	SP2700-1027	X3001-147F
50080-2101	UK	80	1" BSP	Foot			SK406-0001	890	17937-0001	SP2700-1027	X3001-147F
50080-2103	UK	80	1" BSP	Foot	•		SK406-0003	890	17937-0003	SP2700-1027	X3001-147F
50080-2201	UK	80	1" BSP	Foot			SK406-0001	890	17937-0001	SP2700-1027	X3001-147F
50080-2203	UK	80	1" BSP	Foot	•		SK406-0003	890	17937-0003	SP2700-1027	X3001-147F
50080-2301	UK	80	1" BSP	Foot			SK406-0001	890	17937-0001	SP2700-1027	X3001-147F
50080-2303	UK	80	1" BSP	Foot	•		SK406-0003	890	17937-0003	SP2700-1027	X3001-147F
50080-2321	UK	80	1" BSP	Foot	•		SK406-0001	890	17937-0001	SP2700-1027	X3001-147F
50080-2903	UK	80	1" BSP	Foot	•		SK406-0003	890	17937-0003	SP2700-1027	X3001-147F
50190-1001	UK	40	Ø 32 Hose	Flange	•		–	3298	1210-0001	SP2700-1027	X3001-095F
50200-2003	UK	200	1-1/2" BSP	Foot	•		SK407-0003	816	836-0003	21849	X3001-176F
50200-2011	UK	200	1-1/2" BSP	Foot			SK407-0011	816	17935-0001	21849	X3001-176F
50200-2103	UK	200	1-1/2" BSP	Foot	•		SK407-0003	816	836-0003	21849	X3001-176F
50200-2111	UK	200	1-1/2" BSP	Foot			SK407-0011	816	17935-0001	21849	X3001-176F
50200-2203	UK	200	1-1/2" BSP	Foot	•		SK407-0003	816	836-0003	21849	X3001-176F
50200-2211	UK	200	1-1/2" BSP	Foot			SK407-0011	816	17935-0001	21849	X3001-176F
50200-2303	UK	200	1-1/2" BSP	Foot	•		SK407-0003	816	836-0003	21849	X3001-176F
50200-2311	UK	200	1-1/2" BSP	Foot			SK407-0011	816	17935-0001	21849	X3001-176F
50200-2903	UK	200	1-1/2" BSP	Foot	•		SK407-0003	816	836-0003	21849	X3001-176F
50200-9203	UK	200	1-1/2" BSP	Foot			SK407-0003	816	836-0003	21849	X3001-176F
50200-9303	UK	200	1-1/2" BSP	Foot			SK407-0003	816	836-0003	21849	X3001-176F
50200-9403	UK	200	1-1/2" BSP	Foot			SK407-0003	816	836-0003	21849	X3001-176F
50210-1001	UK	80	Clamp	Flange			–	890	17937-0001	SP2700-1027	X3001-147F
50210-1101	UK	80	Clamp	Flange			–	X4020-269A	17937-0001	SP2700-1027	X3001-147F
50220-0011	UK	200	1-1/2" Flanged	Foot			SK407-0011	816	17935-0001	21849	SP1095-0640
50220-0111	UK	200	1-1/2" Flanged	Foot			SK407-0011	816	17935-0001	21849	SP1095-0640
50220-0211	UK	200	1-1/2" Flanged	Foot			SK407-0011	816	17935-0001	21849	SP1095-0640
50220-0311	UK	200	1-1/2" Flanged	Foot			SK407-0011	816	17935-0001	21849	SP1095-0640
50220-0903	UK	200	1-1/2" Flanged	Foot	•		SK407-0003	816	836-0003	21849	SP1095-0640
50230-0311	UK	200	1-1/2" Flanged	Foot	•		SK407-0011	816	17935-0001	21849	SP1095-0640
50260-2041	UK	80	1" BSP	Flange			SK385-0001	890	17937-0001	SP2700-1027	SP1003-0111

GENERAL PARTS LISTING										
5	6	7	8	9	10	11	12	13	14	
CAM	CAM SCREW	PUMP END OIL SEAL	PUMP END BEARING	DRIVE END OIL SEAL	DRIVE END BEARING	SHAFT	WEARPLATE	END COVER	BODY	
490-0000	–	–	–	–	–	–	–	–	–	10194-0000
47072-0000	X3004-074F	SP2700-1027	SP2600-12	–	SP2600-12	47077-0000	4156	47075-0000	47074-2000	
47102-0000	X3001-178F	X5280-009	SP2601-0468	–	SP2601-0468	47107-0000	47106-0000	47105-0000	47104-2000	
47302-0000	X3001-205F	SP2701-54	SP2601-0458	–	SP2601-0458	47307-0000	47306-0000	47305-0000	47304-2000	
934-0000	SP1004-09	SP2700-48	SP2600-06	–	–	50087-0000	4156	3993	50084-2000	
934-0000	SP1004-09	SP2700-48	SP2600-06	–	–	50087-0000	4156	3993	50084-2000	
934-0000	SP1004-09	SP2700-48	SP2600-06	–	–	50087-0000	4156	3993	50084-2000	
934-0000	SP1004-09	SP2700-48	SP2600-06	–	–	50087-0000	4156	3993	50084-2000	
934-0000	SP1004-09	SP2700-48	SP2600-06	–	–	50087-0000	4156	3993	50084-2000	
934-0000	SP1004-09	SP2700-48	SP2600-06	–	–	50087-0000	4156	3993	50084-2000	
934-0000	SP1004-09	SP2700-48	SP2600-06	–	–	50087-0000	4156	3993	50084-2000	
934-0000	SP1004-09	SP2700-48	SP2600-06	–	–	50087-0000	4156	3993	50084-2000	
934-0000	SP1004-09	SP2700-48	SP2600-06	–	–	50087-0000	4156	3993	50084-2000	
934-0000	SP1004-09	SP2700-48	SP2600-06	–	–	50087-0000	4156	3993	50084-2000	
490	SP1003-01	–	SP2601-0451	–	–	50197-0000	–	3992	50194-1000	
834	SP1005-04	SP2700-50	SP2600-04	–	–	50207-0000	2574	9336	50204-2000	
834	SP1005-04	SP2700-50	SP2600-04	–	–	50207-0000	2574	9336	50204-2000	
834	SP1005-04	SP2700-50	SP2600-04	–	–	50207-0000	2574	9336	50204-2000	
834	SP1005-04	SP2700-50	SP2600-04	–	–	50207-0000	2574	9336	50204-2000	
834	SP1005-04	SP2700-50	SP2600-04	–	–	50207-0000	2574	9336	50204-2000	
834	SP1005-04	SP2700-50	SP2600-04	–	–	50207-0000	2574	9336	50204-2000	
834	SP1005-04	SP2700-50	SP2600-04	–	–	50207-0000	2574	9336	50204-2000	
834	SP1005-04	SP2700-50	SP2600-04	–	–	50207-0000	2574	9336	50204-2000	
834	SP1005-04	SP2700-50	SP2600-04	–	–	50207-0000	2574	9336	50204-2000	
834	SP1005-04	SP2700-50	SP2600-04	–	–	50207-0000	2574	9336	50204-2000	
834	SP1005-04	SP2700-50	SP2600-04	–	–	50207-0000	2574	9336	50204-2000	
834	SP1005-04	SP2700-50	SP2600-04	–	–	50207-0000	2574	9336	50204-2000	
834	SP1005-04	SP2700-50	SP2600-04	–	–	50207-0000	2574	9336	50204-2000	
934-0000	SP1004-09	–	SP2600-0500	–	SP2600-0500	50217-0000	4156	3993	50214-2000	
53082-0000	X3004-174F	–	SP2600-0500	–	SP2600-0500	50217-0200	4156	50215-0000	50214-1100	
834	SP1005-04	SP2701-54	SP2601-0458	–	SP2601-0458	50227-0000	2574	9336	10634-02	
834	SP1005-04	SP2701-54	SP2601-0458	–	SP2601-0458	50227-0000	2574	9336	10634-02	
834	SP1005-04	SP2701-54	SP2601-0458	–	SP2601-0458	50227-0000	2574	9336	10634-02	
834	SP1005-04	SP2701-54	SP2601-0458	–	SP2601-0458	50227-0000	2574	9336	10634-02	
834	SP1005-04	SP2701-54	SP2601-0458	–	SP2601-0458	50227-0000	2574	9336	10634-02	
834	SP1005-04	SP2701-54	SP2601-0458	–	SP2601-0458	50227-0000	2574	9336	10584	
3255	SP1004-11	SP2700-1027	SP2600-01	–	SP2600-01	50267-0000	4156	3993	50264-2000	

# 13 Service Parts

FLEXIBLE IMPELLER PUMP SPARES BY PUMP MODEL



JABSCO PUMP DETAILS							SERVICE KIT LISTING				
MODEL NUMBER *OEM ONLY	UK/ USA	PUMP SIZE	PORT TYPE	MOUNT TYPE	OBSOLETE	ALTERNATE PUMP NUMBER	PART KEY	1	2	3	4
							KIT NUMBER	GASKET/ O-RING	IMPELLER	WATER SEAL	END COVER SCREWS
50270-0011	UK	270	2" Flanged	Foot			SK408-0011	816	17936-0001	21849	SP1095-0640
50270-0111	UK	270	2" Flanged	Foot			SK408-0011	816	17936-0001	21849	SP1095-0640
50270-0211	UK	270	2" Flanged	Foot			SK408-0011	816	17936-0001	21849	SP1095-0640
50270-0311	UK	270	2" Flanged	Foot			SK408-0011	816	17936-0001	21849	SP1095-0640
50270-0911	UK	270	2" Flanged	Foot	•		SK408-0011	816	17936-0001	21849	SP1095-0640
50270-0913	UK	270	2" Flanged	Foot	•		SK408-0013	816	6760-0003	21849	SP1095-0640
50270-2011	UK	270	2" BSP	Foot			SK408-0011	816	17936-0001	21849	SP1095-0640
50270-2111	UK	270	2" BSP	Foot			SK408-0011	816	17936-0001	21849	SP1095-0640
50270-2211	UK	270	2" BSP	Foot			SK408-0011	816	17936-0001	21849	SP1095-0640
50270-2311	UK	270	2" BSP	Foot			SK408-0011	816	17936-0001	21849	SP1095-0640
50270-2313	UK	270	2" BSP	Foot	•		SK408-0013	816	6760-0003	21849	SP1095-0640
50270-2911	UK	270	2" BSP	Foot			SK408-0011	816	17936-0001	21849	SP1095-0640
50270-2913	UK	270	2" BSP	Foot	•		SK408-0013	816	6760-0003	21849	SP1095-0640
50280-2001	UK	40	3/4" BSP	Flange			SK271	3298	1210-0001	SP2701-21	SP1002-02
50280-2101	UK	40	3/4" BSP	Flange			SK271	3298	1210-0001	SP2701-21	SP1002-02
50310-1001	UK	80	Ø 32 Hose	Flange			–	X4020-354A	17937-0001	SP6080-0469	X3001-209F
50310-1101	UK	80	Ø 32 Hose	Flange	•		–	X4020-354A	17937-0001	SP6080-0469	SP1003-0111
50310-1251	UK	80	Ø 32 Hose	Flange	•		–	X4020-354A	17937-0001	SP6080-0469	SP1003-0111
50320-2001	UK	80	1" BSP	Foot			–	890	17937-0001	SP2700-1027	X3001-147F
50340-1001	UK	40	Ø 28 Hose	Flange			SK384-0001	3298	1210-0001	SP2700-1027	X3004-095G
50350-1001	UK	120	Ø 45 Hose	Flange	•		–	X4020-269A	17018-0001	SP6080-0469	X3001-176F
50360-1001	UK	40	Ø 28 Hose	Flange	•		–	X4020-259A	1210-0001	SP6080-0469	X3001-147F
50370-1001	UK	40	Ø 28 Hose	Flange	•	50370-2001	–	X4020-259A	1210-0001	SP6080-0469	X3001-147F
50370-2001*	UK	40	Ø 28 Hose	Flange			–	X4020-259A	1210-0001	SP6080-0469	X3001-147F
50380-1001*	UK	80	Ø 38/45 Hose	Flange			–	X5251-052	17937-0001	SP6080-0469	X3001-178F
50390-1201*	UK	120	Ø 45/50 Hose	Flange			–	X5251-052	17018-0001	SP6080-0469	X3001-178F
50400-1001	UK	40	Ø 28 Hose	Flange			SK384-0001	3298	1210-0001	SP2700-1027	SP1002-02
50410-1201	UK	60	Ø 32 Hose	Crank			–	92000-1403	18777-0001	SP2701-21	X3001-151F
50410-1251	UK	60	Ø 32 Hose	Crank			–	92000-1403	18777-0001	SP2701-21	X3001-151F
50410-1301	UK	60	Ø 32 Hose	Crank			–	92000-1403	18777-0001	96080-6080	X3001-151F

GENERAL PARTS LISTING										
5	6	7	8	9	10	11	12	13	14	
CAM	CAM SCREW	PUMP END OIL SEAL	PUMP END BEARING	DRIVE END OIL SEAL	DRIVE END BEARING	SHAFT	WEARPLATE	END COVER	BODY	
6988	SP1005-04	SP2701-54	SP2601-0458	–	SP2601-0458	50227-0000	2574	9336	10634-02	
6988	SP1005-04	SP2701-54	SP2601-0458	–	SP2601-0458	50227-0000	2574	9336	10634-02	
6988	SP1005-04	SP2701-54	SP2601-0458	–	SP2601-0458	50227-0000	2574	9336	10634-02	
6988	SP1005-04	SP2701-54	SP2601-0458	–	SP2601-0458	50227-0000	2574	9336	10634-02	
6988	SP1005-04	SP2701-54	SP2601-0458	–	SP2601-0458	50227-0000	2574	9336	10634-02	
6988	SP1005-04	SP2701-54	SP2601-0458	–	SP2601-0458	50227-0000	2574	9336	10634-02	
6988	SP1005-04	SP2701-54	SP2601-0458	–	SP2601-0458	50227-0000	2574	9336	10634-02	
6988	SP1005-04	SP2701-54	SP2601-0458	–	SP2601-0458	50227-0000	2574	9336	10634-02	
6988	SP1005-04	SP2701-54	SP2601-0458	–	SP2601-0458	50227-0000	2574	9336	10634-02	
6988	SP1005-04	SP2701-54	SP2601-0458	–	SP2601-0458	50227-0000	2574	9336	10634-02	
6988	SP1005-04	SP2701-54	SP2601-0458	–	SP2601-0458	50227-0000	2574	9336	10634-02	
6988	SP1005-04	SP2701-54	SP2601-0458	–	SP2601-0458	50227-0000	2574	9336	10634-02	
6988	SP1005-04	SP2701-54	SP2601-0458	–	SP2601-0458	50227-0000	2574	9336	10634-02	
6988	SP1005-04	SP2701-54	SP2601-0458	–	SP2601-0458	50227-0000	2574	9336	10634-02	
7876	SP1003-01	SP2701-21	SP2601-07	–	–	3277	7883	3992	3274-200	
7876	SP1003-01	SP2701-21	SP2601-07	–	–	3277	7883	3992	3274-200	
934-0000	SP1004-09	SP2700-1027	SP2600-0500	–	SP2600-0500	50317-0000	4156	3993	29604-1700	
934-0000	SP1004-09	SP2700-1027	SP2600-0500	–	SP2600-0500	29609-0100	4156	3993	29604-1300	
2431	SP1004-10	SP2700-1027	SP2600-0500	–	SP2600-0500	29609-0200	4156	3993	29604-1300	
934-0000	SP1004-09	Not Fitted	SP2600-12	–	SP2600-12	50327-0000	Not Fitted	3993	50324-2000	
490	SP1003-01	SP2700-1027	SP2601-0451	–	SP2601-0451	50347-0000	7883	3992	50344-1000	
23341-0001	SP1004-09	SP2701-0903	SP2600-11	–	SP2600-11	50357-0000	4156	50355-0000	50354-1000	
490-0100	SP1003-01	SP2700-1027	SP2601-0451	–	SP2601-0451	50367-0000	7883	23825-0000	50364-1000	
23826-0000	SP1003-01	SP2700-1027	SP2601-0451	–	SP2601-0451	50377-0000	7883	23825-0000	50374-1000	
23826-0000	SP1003-01	SP2700-1027	SP2601-0451H	–	SP2601-0451H	50377-0000	7883	23825-0000	50374-2000	
53082-0000	X3003-176F	–	92600-0518	–	92600-0518	50387-0000	4156	50386-1000	50384-1000	
50392-0100	X3003-176F	–	92600-0518	–	92600-0518	50397-0100	4156	50396-1000	50394-1300	
490	SP1003-01	SP2700-1027	SP2601-0451	–	SP2601-0451	50407-0000	7883	3992	29504-1200	
22318-0100	X3003-149K	–	SP2600-12	–	SP2600-12	22113-6000	–	50416-0000	50414-1000	
22308-0100	X3002-147F	–	SP2600-12	–	SP2600-12	22113-6000	–	50416-0000	50414-1000	
22318-0100	X3003-149K	–	SP2600-12	–	SP2600-12	22113-6000	–	50416-0000	50414-1000	

# 13 Service Parts

FLEXIBLE IMPELLER PUMP SPARES BY PUMP MODEL



JABSCO PUMP DETAILS							SERVICE KIT LISTING				
MODEL NUMBER *OEM ONLY	UK/ USA	PUMP SIZE	PORT TYPE	MOUNT TYPE	OBSOLETE	ALTERNATE PUMP NUMBER	PART KEY	1	2	3	4
							KIT NUMBER	GASKET/ O-RING	IMPELLER	WATER SEAL	END COVER SCREWS
50410-1351	UK	60	Ø 32 Hose	Crank			–	92000-1403	18777-0001	96080-6080	X3001-151F
50410-1401	UK	60	Ø 32 Hose	Crank			–	92000-1403	18777-0001	SP2701-21	X3001-151F
50410-1501	UK	60	Ø 32 Hose	Crank			–	92000-1403	18777-0001	96080-6080	X3001-151F
50430-0301*	UK	120	Hose/ Flange	Flange			–	X4020-269A	17018-0001	SP6080- 0469	X3001-176F
50440-1401*	UK	80	Ø 32 Hose	Flange			SK385-0601	X4020-269A	920-0001	SP6080- 0469	X3001-176F
50540-1001*	UK	120	Ø 45 Hose	Flange			–	X4020-269A	920-0001	SP6080- 0469	X3001-176F
50500-0001*	UK	300	Flange	Flange			–	X4020-399A	17938-0001	21849	X3001-176F
50530-0001*	UK	80	Hose/ Flange	Flange			–	X4020-269A	17937-0001	96080-0626	X3001-178F
50570-0001*	UK	300	Flange	Flange			–	X4020-399A	836-0001	21849	X3001-176F
50590-0001*	UK	200	Hose/ Flange	Flange			–	X4020-399A	836-0001	21849	X3001-178F
50680-0031*	UK	300	Flange	Flange			–	X4020-399A	17938-0001	21849	X3001-176F
51080-2001	UK	80	1" BSP	Foot			SK406-0001	890	17937-0001	SP2700-1027	X3001-147F
51080-2003	UK	80	1" BSP	Foot	•	51080- 2001	SK406-0003	890	17937-0003	SP2700-1027	X3001-147F
51080-2041	UK	80	1" BSP	Foot			SK406-0001	890	17937-0001	SP2700-1027	X3001-147F
51080-9013	UK	80	1" NPT	Foot			–	890	920-0003	SP2700-1027	X3001-147F
51200-2003	UK	200	1-1/2" BSP	Foot	•	Bilge Option	SK407-0003	816	836-0003	21849	X3001-176F
51200-2011	UK	200	1-1/2" BSP	Foot		Bilge Option	SK407-0011	816	17935-0001	21849	X3001-176F
51200-9013	UK	200	1-1/2" NPT	Foot			–	816	836-0003	21849	X3001-176F
51220-0011	UK	200	1-1/2" Flanged	Foot			SK407-0011	816	17935-0001	21849	X3001-176F
51270-0011	UK	270	2" Flanged	Foot			SK408-0011	816	21676-0001	21849	X3001-176F
51270-2011	UK	270	2" BSP	Foot			SK408-0011	816	21676-0001	21849	X3001-176F
51270-2013	UK	270	2" BSP	Foot	•		SK408-0013	816	21676-0003	21849	X3001-176F
51270-9013	UK	270	2" NPT	Foot			–	816	6760-0003	21849	X3001-176F
51510-2001	UK	10	3/8" BSP	Foot			–	X4020-244A	22405-0001	96080-6024	X3001-095F
51520-2001	UK	20	3/8" BSP	Foot			–	X5251-050	653-0001	96080-6024	X3001-174F
52010-0051	UK	10	3/8" NPT	Foot	•		SK404-0101	29308-0000	22405-0001	SP2701-0501	X3001-095F
52010-2001	UK	10	3/8" BSP	Foot	•	51510- 2001	SK404-0101	29308-0000	22405-0001	SP2701-0501	X3001-095F
52010-2051	UK	10	3/8" BSP	Foot	•	51510- 2001	SK404-0101	29308-0000	22405-0001	SP2701-0501	X3001-095F
52020-2001	UK	20	3/8" BSP	Foot	•	51520- 2001	SK405-0101	2995-0030	18653-0001	SP2701-0501	X3001-095F
52020-2031	UK	20	3/8" BSP	Foot	•	51520- 2001	SK405-0101	2995-0030	18653-0001	SP2701-0501	X3001-095F

GENERAL PARTS LISTING										
5	6	7	8	9	10	11	12	13	14	
CAM	CAM SCREW	PUMP END OIL SEAL	PUMP END BEARING	DRIVE END OIL SEAL	DRIVE END BEARING	SHAFT	WEARPLATE	END COVER	BODY	
22308-0100	X3002-147F	–	SP2600-12	–	SP2600-12	22113-6000	–	50416-0000	50414-1000	
22318-0100	X3002-147K	–	SP2600-12	–	SP2600-12	22113-6000	–	50416-0000	50414-1000	
22318-0100	X3003-149K	–	SP2600-12	–	SP2600-12	22113-6000	–	50416-0000	50414-1000	
50392-0000	X3003-176F	–	SP2600-32	–	SP2600-32	50437-0100	4156	50355-0000	50434-0000	
53082-0000	X3003-176F	SP2700-1027	SP2601-0468	–	SP2601-0468	29637-0100	4156	50355-0000	50444-1000	
53092-0000	X3003-176F	SP2700-0903	SP2600-11	–	SP2600-11	50547-0000	4156	50355-0000	50544-1000	
29838-0000	X3003-176F	SP2701-54	SP2601-37	–	SP2601-37	50507-0000	2574	29825-0400	50504-1000	
53082-0040	X3003-174F	SP2701-54	SP2601-37	–	SP2601-37	50537-0000	4156	50355-0000	50534-0000	
29838-0000	X3001-205F	SP2701-54	SP2601-37	–	SP2601-37	50577-0000	2574	29825-0500	50504-1100	
52238-0000	X3003-178F	SP2700-50	SP2600-32	–	SP2600-32	50597-0000	2574	29825-0600	50594-0000	
29838-0010	X3001-203F	–	SP2601-0469	–	SP2601-40	50687-0000	2754	50685-0000	29834-0100	
934-0000	SP1004-09	SP2700-48	SP2600-06	–	SP2600-11	51087-0000	4156	3993	50084-2100	
934-0000	SP1004-09	SP2700-48	SP2600-06	–	SP2600-11	51087-0000	4156	3993	50084-2100	
934-0000	SP1004-09	SP2700-48	SP2600-06	–	SP2600-11	51087-0000	4156	3993	50084-2100	
	SP1004-09	SP2700-48	SP2600-06	–	SP2600-11	51087-0000	4156	3993	50084-9100	
834	SP1005-04	SP2700-50	SP2600-04	–	SP2600-09	51207-0000	2574	9336	50204-2100	
834	SP1005-04	SP2700-50	SP2600-04	–	SP2600-09	51207-0000	2574	9336	50204-2100	
834	SP1005-04	SP2700-50	SP2600-04	–	SP2600-09	51207-0000	2574	9336	50204-9100	
834	SP1005-04	SP2700-50	SP2600-04	–	SP2600-09	51207-0000	2574	9336	10634	
6988	SP1005-04	SP2701-54	SP2601-0458	–	SP2600-09	51277-0000	2574	9336	10494	
6988	SP1005-04	SP2701-54	SP2601-0458	–	SP2600-09	51277-0000	2574	9336	50204-2100	
6988	SP1005-04	SP2701-54	SP2601-0458	–	SP2600-09	51277-0000	2574	9336	50204-2100	
6988	SP1005-04	SP2701-54	SP2601-0458	–	SP2600-09	51277-0000	2574	9336	50274-0000	
Not Fitted	Not Fitted	–	SP2601-0457	–	SP2601-0457	51517-0000	Not Fitted	29305-0100	51514-2000	
Not Fitted	Not Fitted	–	SP2601-0457	–	SP2601-0457	51527-0000	Not Fitted	29405-0000	51524-2000	
–	–	SP2701-1006	SP2601-0457	SP2701-1006	SP2601-0457	52017-0000	29306-0000	29305-0000	52014-2000	
29303-0000	SP1009-05	SP2701-1006	SP2601-0457	SP2701-1006	SP2601-0457	52017-0000	29306-0000	29305-0000	52014-2000	
–	–	SP2701-1006	SP2601-0457	SP2701-1006	SP2601-0457	52017-0000	29306-0000	29305-0000	52014-2000	
2907-0001	SP1002-09	SP2701-1006	SP2601-0457	SP2701-1006	SP2601-0457	52027-0000	–	3992	52024-2000	
2907-0001	SP1002-09	SP2701-1006	SP2601-0457	SP2701-1006	SP2601-0457	52027-0000	–	3992	52024-2000	

# 13 Service Parts

FLEXIBLE IMPELLER PUMP SPARES BY PUMP MODEL



JABSCO PUMP DETAILS							SERVICE KIT LISTING				
MODEL NUMBER *OEM ONLY	UK/ USA	PUMP SIZE	PORT TYPE	MOUNT TYPE	OBSOLETE	ALTERNATE PUMP NUMBER	PART KEY	1	2	3	4
							KIT NUMBER	GASKET/ O-RING	IMPELLER	WATER SEAL	END COVER SCREWS
52020-2051	UK	20	3/8" BSP	Foot	•	51520-2001	SK405-0101	2995-0030	18653-0001	SP2701-0501	X3001-095F
52040-2001	UK	40	3/4" BSP	Foot			SK384-0101	3298	1210-0001	SP2701-1015	X3001-095F
52040-2003	UK	40	3/4" BSP	Foot			SK384-0101	3298	1210-0003	SP2701-1015	X3001-095F
52040-2021	UK	40	3/4" BSP	Foot			SK384-0101	3298	3085-0001	SP2701-1015	X3001-095F
52040-2401	UK	40	3/4" BSP	Foot			SK384-0101	3298	1210-0001	SP2701-1015	X3001-095F
52051-2051	UK	40	3/4" BSP	Foot			SK384-0101	3298	1210-0001	SP2701-1015	X3001-095F
52080-2001	UK	80	1" BSP	Foot			SK406-0001	890	17937-0001	SP2700-1027	X3001-147F
52080-2003	UK	80	1" BSP	Foot			SK406-0003	890	17937-0003	SP2700-1027	X3001-147F
52080-2021	UK	80	1" BSP	Foot			SK406-0021	890	5915-0001	SP2700-1027	X3001-147F
52080-2041	UK	80	1" BSP	Foot	•		SK406-0001	890	17937-0001	SP2700-1027	X3001-147F
52080-2051	UK	80	1" BSP	Foot			SK406-0001	890	17937-0001	SP2700-1027	X3001-147F
52080-2101	UK	80	1" BSP	Foot	•		SK406-0001	890	17937-0001	SP2700-1027	X3003-178F
52200-2001	UK	200	1-1/2" BSP	Foot	•	52200-2011	SK407-0011	816	17935-0001	21849	X3001-176F
52200-2003	UK	200	1-1/2" BSP	Foot			SK407-0003	816	836-0003	21849	X3001-176F
52200-2011	UK	200	1-1/2" BSP	Foot			SK407-0011	816	17935-0001	21849	X3001-176F
52200-2041	UK	200	1-1/4" BSP	Foot			SK407-0011	816	17935-0001	21849	X3001-176F
52200-2051	UK	200	1-1/2" BSP	Foot			SK407-0011	816	17935-0001	21849	X3001-176F
52220-0011	UK	200	1-1/2" Flanged	Foot			SK407-0011	816	17935-0001	21849	X3001-176F
52220-0041	UK	200	1-1/2" Flanged	Foot			SK407-0011	816	17935-0001	21849	X3001-176F
52220-0051	UK	200	1-1/2" Flanged	Flange			SK407-0011	816	17935-0001	21849	X3001-176F
52230-0001	UK	200	1-1/2" Flanged	Flange	•		–	816	17935-0001	21849	SP1095-0640
52270-0011	UK	270	2" Flanged	Foot			SK408-0011	816	17936-0001	21849	SP1095-0640
52270-2011	UK	270	2" BSP	Foot			SK408-0011	816	17936-0001	21849	X3001-176F
52270-2013	UK	270	2" BSP	Foot			SK408-0013	816	6760-0003	21849	X3001-176F

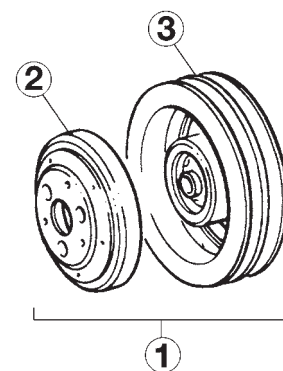
## ELECTROMAGNETIC CLUTCH PUMP CLUTCH PARTS

KEY	DESCRIPTION	11860 SERIES	11870 SERIES	18330 SERIES	21960 SERIES (OBSOLETE)	10670 SERIES (OBSOLETE)
1	12V – 2-A Grooves Complete	92300-0030	92300-0030	92300-0030	–	–
	12V – 1-B Groove Complete	18753-0493	18753-0493	18753-0493	–	–
	24V – 2-A Grooves Complete	92300-0061	92300-0061	92300-0061	–	–
	24V – 1-B Groove Complete	18753-0494	18753-0494	18753-0494	–	–
	32V – 2-A Grooves Complete	92300-0050	–	–	–	–
2	Replacement Field Coil – 12V	98022-0500	98022-0500	98022-0500	SP2300-0063FC	SP2300-0063FC
	Replacement Field Coil – 24V	98022-2155	98022-2155	98022-2155	SP2300-0064FC	SP2300-0064FC
	Replacement Field Coil – 32V	98022-0510	98022-0510	98022-0510	–	–
3	2-A Grooves Pulley	–	–	–	SP2300-0061RA	SP2300-0061RA
	1-B Groove Pulley	–	–	–	SP2300-0063RA	SP2300-0063RA



GENERAL PARTS LISTING									
5	6	7	8	9	10	11	12	13	14
CAM	CAM SCREW	PUMP END OIL SEAL	PUMP END BEARING	DRIVE END OIL SEAL	DRIVE END BEARING	SHAFT	WEARPLATE	END COVER	BODY
2441	SP1010-06	SP2701-1006	SP2601-0457	SP2701-1006	SP2601-0457	52027-0000	–	3992	52024-2000
490	SP1003-01	SP2700-1027	SP2601-0451	SP2701-1015	SP2601-0451	52047-0000	–	3992	52044-2000
490	SP1003-01	SP2700-1027	SP2601-0451	SP2701-1015	SP2601-0451	52047-0000	–	3992	52044-2000
490	SP1003-01	SP2700-1027	SP2601-0451	SP2701-1015	SP2601-0451	52047-0000	–	3992	52044-2000
4906	SP1003-01	SP2700-1027	SP2601-0451	SP2701-1015	SP2601-0451	52047-0000	–	3992	52044-2000
10336	SP1003-01	SP2700-1027	SP2601-0451	SP2701-1015	SP2601-0451	52047-0000	–	3992	52044-2000
934-0000	SP1004-09	SP2700-48	SP2600-06	SP2700-1027	–	52087-0000	4156	3993	50084-2100
934-0000	SP1004-09	SP2700-48	SP2600-06	SP2700-1027	–	52087-0000	4156	3993	50084-2100
934-0000	SP1004-09	SP2700-48	SP2600-06	SP2700-1027	–	52087-0000	4156	3993	50084-2100
–	–	SP2700-48	SP2600-06	SP2700-1027	–	52087-0000	4156	3993	50084-2100
2431	SP1004-10	SP2700-48	SP2600-06	SP2700-1027	–	52087-0000	4156	3993	50084-2100
934-0000	SP1004-09	SP2700-48	SP2600-06	SP2700-1027	–	52087-0100	4156	3993	50084-2200
834	SP1005-04	SP2700-50	SP2600-04	SP2701-1013	–	52207-0000	2574	9336	50204-2100
834	SP1005-04	SP2700-50	SP2600-04	SP2701-1013	–	52207-0000	2574	9336	50204-2100
834	SP1005-04	SP2700-50	SP2600-04	SP2701-1013	–	52207-0000	2574	9336	50204-2100
–	–	SP2700-50	SP2600-04	SP2701-1013	–	52207-0000	2574	9336	50204-2100
2551	SP1005-05	SP2700-50	SP2600-04	SP2701-1013	–	52207-0000	2574	9336	50204-2100
834	SP1005-04	SP2701-54	SP2601-0458	SP2701-1013	SP2601-0458	52227-0000	2574	9336	10634
–	–	SP2701-54	SP2601-0458	SP2701-1013	SP2601-0458	52227-0000	2574	9336	10634
2551	SP1005-05	SP2701-54	SP2601-0458	SP2701-1013	SP2601-0458	52227-0000	2574	9336	10634
834	SP1005-04	SP2700-50	SP2600-32	–	–	21239-0030	2574	9336	10584-03
6988	SP1005-04	SP2701-54	SP2601-0458	SP2701-1013	SP2601-0458	52277-0000	2574	9336	10494
6988	SP1005-04	SP2701-54	SP2601-0458	SP2701-1013	SP2601-0458	52277-0000	2574	9336	50274-2100
6988	SP1005-04	SP2701-54	SP2601-0458	SP2701-1013	SP2601-0458	52277-0000	2574	9336	50274-2100

10680 SERIES (OBSOLETE)	50080/50580 SERIES	50200 SERIES	50220 SERIES	50270 SERIES
–	–	–	–	–
–	–	–	–	–
–	–	–	–	–
–	–	–	–	–
–	–	–	–	–
–	–	–	–	–
SP2300-0063FC	SP2300-0063FC	SP2300-0063FC	SP2300-0063FC	SP2300-0063FC
SP2300-0064FC	SP2300-0064FC	SP2300-0064FC	SP2300-0064FC	SP2300-0064FC
–	–	–	–	–
SP2300-0061RA	SP2300-0061RA	SP2300-0061RA	SP2300-0061RA	SP2300-0061RA
SP2300-0063RA	SP2300-0063RA	SP2300-0063RA	SP2300-0063RA	SP2300-0063RA



# 13 Service Parts

OBSOLETE TO CURRENT JABSCO PARTS TABLE



OBSOLETE JABSCO PART NUMBER	DESCRIPTION	CURRENT JABSCO PART NUMBER
355-24	Shaft	355-07-24
410	Seal Assembly	21849
653-0001	Impeller	18653-0001B
686	Seal Assembly	21849
688-21	Shaft	688-21-24
818	Lip Seal	SP2700-49
833	Seal Assembly	21849
913	Lip Seal	SP2700-48
914	Lip Seal	SP2700-47
1040-0000	Lip Seal	SP2701-52
2577	Seal Assembly	21849
2620-211	Pump	2620-200
2620-221	Pump	2620-200
2620-254	Pump	2620-252
2620-281	Pump	2620-252
2877-0001	Impeller	4568-0001B
2877-0003	Impeller	4568-0003B
3200-01	Pump	9440-200
3214	Lip Seal	SP2700-59
3266	Cam/Wearplate	7884
3270-200	Pump	29500-1001
3288	Gasket	3298
3370-200	Pump	9970-200
3370-251	Pump	9970-261
3380-200	Pump	9970-200
3380-221	Pump	9970-200
3996	End Cover	9336
4511	Seal Ring	9364
4517-0000	Lock Nut	C18
4518-0000	Packing Ring	C20
4530-200	Pump	AL1/4-200
4530-237	Pump	AL1/4-237
4533-0000	Packing Nut	AL18
4534-0000	Body	AL4-200
4536-0000	Packing Nut	AL16
4537-0000	Shaft	AL10
4538-0000	Cam	AL8
4538-0010	Cam	AL8-01
4539-0000	Packing Ring	AL22
4546	Packing Nut	B16
4546-0000	Packing Nut	B16
4547-01	Shaft	D10-01
4548	Lock Nut	B18
4548-0000	Lock Nut	B18

OBSOLETE JABSCO PART NUMBER	DESCRIPTION	CURRENT JABSCO PART NUMBER
4549	Packing Ring	B22
4549-0000	Packing Ring	B22
4567-01	Shaft	C10-01
4583-0000	Packing Nut	C16
4590-200	Pump	JD3/4-200
4590-237	Pump	JD3/4-237
4594-200	Body	JD4-200
4595-200	End Cover	D6-01-200
4800-111	Pump	11790
4800-21	Pump	4800-21-01
4850	Pump	9750
4860	Pump	9760
5212	Gasket	3298
5400-205	Pump	52200-2051
5522	End Cover	AL6-200
6400-200	Pump	52200-2001
6400-205	Pump	52200-2051
6400-207	Pump	52200-2011
6400-207	Pump	52200-2001
6406	Seal Seat	10163
6408	Seal Assembly	21849
6420-0101	Pump	52220-0011
6420-200	Pump	52080-2001
6420-2001	Pump	52080-2001
6420-2003	Pump	52080-2003
6420-204	Pump	52080-2041
6420-2041	Pump	52080-2041
6420-205	Pump	52080-2051
6420-2051	Pump	52080-2051
6520-200	Pump	51080-2001
6520-2001	Pump	51080-2001
6520-2003	Pump	51080-2003
6520-237	Pump	51080-2001
6520-251	Pump	51080-2001
6590-200	Pump	51200-2011
6590-237	Pump	51200-2003
6640-200	Pump	52010-2001
6640-205	Pump	52010-2001
6718	Shaft	6718-21
7420-0004	Pump	7420-0101
7447	Spacer	3166
8123	Wearplate	4357
9416	Wearplate	4156
9420	Cam	934-0000

OBSOLETE JABSCO PART NUMBER	DESCRIPTION	CURRENT JABSCO PART NUMBER
9430-01	Pump	11650-200
9430-211	Pump	29300-2601C
9436-211	Shaft	22286
9700-101	Pump	9700-04
9700-141	Pump	9700-04
9700-21	Pump	29600-1001
9710	Pump	9710-200
9900	Pump	29470-2231C
9970-251	Pump	9970-241
9970-271	Pump	9970-200
9990-21	Pump	9990-41
9996	Wearplate	7883
10118	Seal Assembly	1817-0000
10135	Bearing	3625-1150
10187-01	Shaft	21679-0010
10420	Pump	29490-2001C
10490	Pump	52270-0011
10490-0201	Pump	50270-0911
10490-07	Pump	52270-0011
10490-207	Pump	52270-0011
10497	Shaft	11258
10497-01	Shaft	11258-01
10590	Pump	10590-22
10590-01	Pump	11101-01-01
10590-0141	Pump	10590-0041
10590-21	Pump	10590-22
10590-61	Pump	10590-62
10630	Pump	52220-0011
10630-01	Pump	52220-0011
10630-07	Pump	52220-0011
10630-200	Pump	52220-0011
10630-207	Pump	52220-0011
10630-57	Pump	52220-0011
10650	Pump	51220-0011
10650-0003	Pump	51220-0011
10650-200	Pump	51200-2011
10657-0040	Shaft	10657-0020
10657-0050	Shaft	10657-0030
10660	Pump	51270-0011
10660-0003	Pump	51270-0011
10660-200	Pump	51270-2011
10670	Pump	50220-0011
10670-0003	Pump	50220-0011
10670-01	Pump	50220-0111

OBSOLETE JABSCO PART NUMBER	DESCRIPTION	CURRENT JABSCO PART NUMBER
10670-0103	Pump	50220-0111
10670-0203	Pump	50220-0211
10670-0303	Pump	50220-0311
10670-10	Pump	50220-0211
10670-11	Pump	50220-0311
10670-200	Pump	50200-2011
10670-201	Pump	50200-2111
10670-210	Pump	50200-2211
10670-211	Pump	50200-2311
10677-0040	Shaft	10677-0020
10677-0050	Shaft	10677-0030
10680	Pump	50270-0011
10680-0003	Pump	50270-0011
10680-01	Pump	50270-0111
10680-0103	Pump	50270-0111
10680-0203	Pump	50270-0211
10680-0303	Pump	50270-0311
10680-10	Pump	50270-0211
10680-11	Pump	50270-0311
10680-200	Pump	50270-2011
10680-201	Pump	50270-2111
10680-210	Pump	50270-2211
10680-211	Pump	50270-2311
10880	Pump	10880-07
10880-2461	Pump	10880-2561
10950-200	Pump	10950-2401
10950-201	Pump	10950-2401
10950-204	Pump	10950-2401
10950-205	Pump	10950-2401
10950-2101	Pump	10950-2401
10950-2141	Pump	10950-2401
10950-2201	Pump	10950-2601
10950-2241	Pump	10950-2601
10950-2441	Pump	10950-2601
10950-2451	Pump	10950-2601
10950-2701	Pump	10950-2401
10980-01	Pump	10980-0051
11253	Shaft	11254
11253-01	Shaft	11254-01
11256	Shaft	11258
11256-01	Shaft	11258-01
11260-200	Pump	29300-2101C
11260-205	Pump	29300-2151C
11260-2101	Pump	29300-2201C

# 13 Service Parts

OBSOLETE TO CURRENT JABSCO PARTS TABLE



OBSOLETE JABSCO PART NUMBER	DESCRIPTION	CURRENT JABSCO PART NUMBER
11260-2151	Pump	29300-2151C
11417	Gasket	890
11493-01	Shaft	11494-01
11613	Lip Seal	SP2701-0940
11620-200	Pump	22830-2101
11788	Shaft	11749-0000
11796-0020	Shaft	11796-0010
11850-0101	Pump	11850-0701
21090-200	Pump	21090-204
21130-200	Pump	21130-2101
21140-200	Pump	21140-2401
21140-201	Pump	21140-2401
21140-204	Pump	21140-2401
21140-2101	Pump	21140-2601
21140-2141	Pump	21140-2601
21140-2201	Pump	21140-2601
21140-2241	Pump	21140-2601
21374	Shaft	9527
21677	Shaft	21679-0000
21677-01	Shaft	21679-0010
21820-200	Pump	52040-2001
21820-2001	Pump	52040-2001
21820-2003	Pump	52040-2003
21820-2021	Pump	52040-2021
21890	Pump	10880-2611
21944	Seal Assembly	22644-6000
21960-200	Pump	50080-2001
21960-2003	Pump	50080-2003
21960-210	Pump	50080-2101

OBSOLETE JABSCO PART NUMBER	DESCRIPTION	CURRENT JABSCO PART NUMBER
21960-2103	Pump	50080-2103
21960-211	Pump	50080-2201
21960-2203	Pump	50080-2203
21960-221	Pump	50080-2301
21960-2303	Pump	50080-2303
22040-0131	Pump	22040-0501
22287	Shaft	22286
22304-0020	Body	22304-02
22307	Bearing Housing	22317
22314	Bearing Housing	22317
22617-0000	Seal Assembly	22617-0010
22620	Pump	29440-1101
22740-0251	Pump	22740-0151
22740-0301	Pump	22740-0201
22750-05	Pump	22750-1101
22754	Bearing Housing	22317-0010
22770	Pump	29440-1001
22770-1051	Pump	29440-1051
22770-1101	Pump	29440-1101
22770-1201	Pump	29440-1201
22940-2001	Pump	52010-2001
22950-2031	Pump	52020-2001
22950-2037	Pump	52020-2001
23328-0000	Pump	23328-9000
23387-0000	Pump	23387-0020
23800-0251	Pump	23800-0201
23800-0351	Pump	23800-0401
29470-0231	Pump	29470-1231
29470-0231C	Pump	29470-1231C

OBSOLETE JABSCO PART NUMBER	DESCRIPTION	CURRENT JABSCO PART NUMBER
29850-0031	Pump	29880-0001
52200-2001	Pump	52200-2011
AL24	Impeller	4528-0001B
AL24-37	Impeller	4528-0003B
B12-37	Impeller	4527-0003B
B3/8-200	Pump	6540-200
C10	Shaft	C10-01
C12	Impeller	4568-0001B
C12-37	Impeller	4568-0003B
D10	Shaft	D10-01
D12	Impeller	4598-0001B
D12-37	Impeller	4598-0003B
SP1002-07	Screw	SP1002-02
SP1003-0090	Screw	SP1003-09
SP1004-0090	Screw	SP1004-09
SP1009-08	Screw	SP1009-05
SP1023-0050	Screw	91023-0050
SP1095-0090	Bolt	SP1095-09
SP1105-0030	Nut	SP1105-03
SP1401-0100	Key	SP1401-10
SP1402-12	Key	9214
SP1602-0060	Washer	SP1602-06
SP1700-2470	Retaining Ring	SP1700-247
SP2600-02	Bearing	SP2600-11
SP2600-0420	Bearing	SP2601-42
SP2601-18	Bearing	SP2600-18
SP2700-0480	Lip Seal	SP2700-48
SP2700-06	Lip Seal	SP2701-21
SP2700-0910	Lip Seal	SP2700-91

OBSOLETE JABSCO PART NUMBER	DESCRIPTION	CURRENT JABSCO PART NUMBER
SP2700-11	Lip Seal	SP2701-14
SP2700-14	Lip Seal	SP2701-04
SP2700-18	Lip Seal	SP2701-21
SP2700-28	Lip Seal	SP2700-51
SP2700-66	Seal	92700-0660
SP2700-90	Lip Seal	SP2700-05
SP2701-07	Lip Seal	SP2700-51
SP2701-18	Lip Seal	SP2701-54
SP2701-48	Lip Seal	SP2700-48
SP2701-49	Lip Seal	SP2700-49
SP2702-80	Lip Seal	SP2701-52
SP2703-02	Lip Seal	SP2701-21
SP2703-07	Lip Seal	SP2700-49
SP2705-05	Lip Seal	SP2700-05
SP2901-18	Lip Seal	SP2701-54
SP6080-0070	Seal Assembly	22617-0010
SP6080-03	Seal Assembly	SP6080-10
SP6080-0372	Seal Assembly	21849
SP6080-0373	Seal Assembly	22626-0000
SP6080-07	Seal Assembly	22617-0010
SP6080-07B	Seal Assembly	22617-0010
SP6080-11	Seal Assembly	22642-0000
SP6080-24	Seal Assembly	22643-0000
SP8022-0070	Seal Assembly	22617-0010
SP8022-07	Seal Assembly	22617-0010
SP8033-0161	Seal Assembly	22644-6000

# 13 Service Parts

USA TO UK JABSCO PARTS TABLE



JABSCO USA PART NUMBER	DESCRIPTION	JABSCO UK PART NUMBER
490-0000	Cam	490
490-0001	Cam	490
816-0000	Gasket	816
817-0000	Lip Seal	SP2700-50
817-6000	Lip Seal	SP2700-50
818-0000	Lip Seal	SP2700-49
824-0000	Shaft	9527
834-0000	Cam	834
834-0001	Cam	834
836-0001	Impeller	836-0001B
836-0008	Impeller	836-0008B
890-0000	Gasket	890
913-0000	Seal	SP2700-47
914-0000	Seal	SP2700-48
915-0000	Seal	SP2700-07
920-0001	Impeller	920-0001B OR
920-0001	Impeller	17937-0001B
920-0008	Impeller	920-0008B
934-0000	Cam	934-0000
934-0010	Cam	934-0000
1040-0000	Lip Seal	SP2701-52
1126-0000	Gasket	1126
1189-0000	Gasket	1189
1210-3001	Impeller	1210-0001B
2431-0000	Cam	2431
2551-0000	Cam	2551
2566-0020	Adapter	2566
2567-0000	Shaft	21238
2574-0000	Wearplate	2574
2577-0000	Seal Assembly	21849
2765-0000	Wearplate	2765
2995-0030	Gasket	2995-0000
3101-0000	Gasket	3101
3166-0000	Spacer	3166
3180-0000	Slinger	3180
3181-0000	Slinger	3181
3222-0000	Seal	3222

JABSCO USA PART NUMBER	DESCRIPTION	JABSCO UK PART NUMBER
3255-0000	Cam	3255
3298-0000	Gasket	3298
3791-0000	Packing Ring	3791
4156-0000	Wearplate	4156
4156-3000	Wearplate	4156
4271-0000	Cam/Wearplate	4271
4346-0000	Spline Seal	4346
5211-0000	Cam/Wearplate	5211
6408-0000	Seal Assembly	21849
6718-0000	Shaft	6718-21
6760-3008	Impeller	6760-0008B
6987-0000	Shaft	21239
6988-0000	Cam	6988
6988-3000	Cam	6988
7876-0000	Cam	7876
7883-0000	Wearplate	7883
7884-0000	Cam/Wearplate	7884
10818-0000	Cam	10818
11816-0000	Gasket	3298
11830-0000	End Cover	3992
11831-0000	End Cover	3993
11835-0000	End Cover	AL6-200
12062-0000	End Cover	9336
12066-0000	End Cover	9566
17361-6000		17361-1000
17365-0000	Gasket	17365-1000
17370-0211	Impeller	17370-0001B
17370-3001	Impeller	17370-0001B
17372-3000	Wearplate	17372-1000
17372-6000	Wearplate	17372-1000
17374-3000	Cam Liner	17374-1000
17374-6001	Cam Liner	17374-1000
17378-3000	End Cover	17378-1000
17935-3001	Impeller	17935-0001B
17936-3001	Impeller	17936-0001B
18706-0000	Retaining Ring	SP1700-1180
18711-0000	Retaining Ring	SP1700-245

JABSCO USA PART NUMBER	DESCRIPTION	JABSCO UK PART NUMBER
18712-0000	Retaining Ring	SP1700-246
18713-0000	Retaining Ring	SP1700-247
18724-0000	Retaining Ring	SP1701-185
18752-0000	Bearing	92600-0480
18753-0049	Seal	22617-0010
18753-0090	Cam	22318
18753-0139	Seal	SP6080-0371
18753-0325	Shaft Assembly	23807-0000
18784-3000	End Cover	18784-0000
18785-3000	Cam Liner Kit	18785-0000
18786-3001	Impeller	18786-0001
18787-3000	Wearplate	18787-0000
19769-6000	Spline Seal	17969-0000
22308-0000	Cam	22308
22318-0000	Cam	22318
90065-0001	Service Kit	SK65-0001
90118-3001	Service Kit	SK118
90193-3000	Service Kit	SK193
91002-0010	Screw	SP1002-01
91002-0020	Screw	SP1002-02
91002-0030	Screw	SP1002-03
91002-0090	Screw	SP1002-09
91003-0010	Screw	SP1003-01
91003-0020	Screw	SP1003-02
91003-0070	Screw	SP1003-07
91003-0090	Screw	SP1003-09
91003-0110	Screw	SP1003-11
91004-0010	Screw	SP1004-01
91004-0090	Screw	SP1004-09
91004-3090	Screw	SP1004-09
91005-0040	Screw	SP1005-04
91005-0050	Screw	SP1005-05
91005-6040	Screw	SP1005-04
91006-0050	Screw	SP1006-05
91085-0100	Nut	SP1085-10
91106-0040	Screw	SP1106-04
91402-0050	Woodruff Key	SP1402-05

JABSCO USA PART NUMBER	DESCRIPTION	JABSCO UK PART NUMBER
91402-0220	Woodruff Key	SP1402-22
91602-0090	Washer	SP1602-09
91608-0010	Washer	SP1608-01
91700-2460	Retaining Ring	SP1700-246
91700-2830	Retaining Ring	SP1700-283
92000-0120	O-Ring	SP2000-12
92000-3210	O-Ring	SP2000-21
92600-0040	Bearing	SP2600-04
92600-0060	Bearing	SP2600-06
92600-0070	Bearing	SP2600-07
92600-0080	Bearing	SP2600-08
92600-0120	Bearing	SP2600-12
92600-0130	Bearing	SP2600-13
92600-0150	Bearing	SP2600-15
92600-0160	Bearing	SP2600-16
92600-0260	Bearing	SP2600-26
92600-0530	Bearing	SP2601-0468
92600-3060	Bearing	SP2600-06
92600-6320	Bearing	SP2600-32
92700-0042	Lip Seal	SP2700-42
92700-0050	Lip Seal	SP2700-05
92700-0060	Lip Seal	SP2700-06
92700-0080	Lip Seal	SP2700-08
92700-0110	Lip Seal	SP2700-11
92700-0150	Lip Seal	SP2700-15
92700-0180	Lip Seal	SP2701-21
92700-6060	Lip Seal	SP2700-06
92700-6070	Lip Seal	SP2700-07
92701-0040	Lip Seal	SP2701-04
92701-0180	Lip Seal	SP2701-54
93000-0100	Seal	SP3000-10
96080-0080	Seal Assembly	SP6080-08B
96080-0371	Seal Assembly	SP6080-0371
96080-6371	Seal Assembly	SP6080-0371
99019-0001	Service Kit	MSK19-0001
99065-0001	Service Kit	MSK65-00001

# 13 Service Parts

## JOHNSON TO JABSCO PARTS TABLE



JOHNSON PART NUMBER	DESCRIPTION	JABSCO PART NUMBER
01-11206	Body	10634
01-31902	Body	9904
01-31927-2	Body	10554-200
01-42388	End Cover	9905
01-42389	Cam	10818
01-42390	Shaft	9907
01-42391	Gasket	10817
01-42397	Cam	490
01-42398	End Cover	3992
01-42399	Wearplate	7883
01-42401	Gasket	3298
01-42402	Retaining Ring	SP1700-62
01-42412	Gasket	1126
01-42414	End Cover	AL6-200
01-42415	Cam	29303-0000
01-42415	Cam	AL8-01
01-42422	End Cover	9336
01-42422-1	End Cover	9336
01-42423	Wearplate	2574
01-42424	Gasket	816
01-42425	Cam	2551
01-42427-15	Slinger	3181
01-42441	End Cover	3993
01-42442	Cam	3255
01-42443	Wearplate	4156
01-42445	Gasket	890
01-42584	Cam	2431
01-42679	Cam	934-0000
01-42679	Wearplate	4156
01-42680	Cam	834
01-42755	Cam	2551
01-42910	Cam	29303-0000
01-42910	Cam	AL8
01-42926	End Cover	3992
01-43135	Cam	22039
01-43136	End Cover	9336

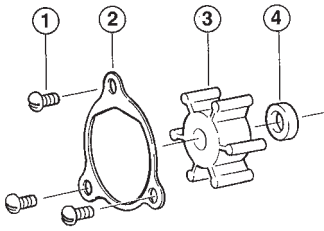
JOHNSON PART NUMBER	DESCRIPTION	JABSCO PART NUMBER
01-43137	Cam	6988
01-43138	Cam	22268
01-43239	End Cover	29305-0000
01-45014	Cam	10538
01-45014	Cam	10336
01-45025	Shaft	3277
01-45084	Cam	2441
01-45087	Wearplate	29306-0000
01-45282	End Cover	29475-0000
01-45288	Cam	2907-0001
09-43112	Port Kit	K1-200
09-45033	Vacuum Switch	4732-0000
10-13021-1	Pump	52200-2011
10-13022-1	Pump	50200-2011
10-13022-2	Pump	50200-2111
10-13022-3	Pump	50200-2201
10-13022-33	Pump	50200-2011
10-13022-34	Pump	50200-2111
10-13022-35	Pump	50200-2201
10-13022-36	Pump	50200-2301
10-13022-4	Pump	50200-2301
10-13024-1	Pump	52220-0011
10-24074-1	Pump	52020-2001
10-24076-1	Pump	22740-0151
10-24090-1	Pump	11100-01-01
10-24091-1	Pump	10880-0101
10-24096-1	Pump	11100-01-01
10-24096-2	Pump	11100-0141
10-24096-3	Pump	11100-0151
10-24116-1	Pump	50080-2001
10-24116-2	Pump	50080-2101
10-24116-3	Pump	50080-2201
10-24116-4	Pump	50080-2301
10-24119	Pump	3270-1951
10-24119	Pump	3270-271
10-24119-2	Pump	3270-200



JOHNSON PART NUMBER	DESCRIPTION	JABSCO PART NUMBER
10-24119-3	Pump	3270-200
10-24119-4	Pump	3270-261
10-24119-6	Pump	3270-241
10-24119-7	Pump	3270-2401
10-24119-8	Pump	3270-2101
10-24126-1	Pump	23430-1051
10-24127	Pump	23460-1601
10-24127-1	Pump	23430-1001
10-24127-2	Pump	23430-1051
10-24127-3	Pump	23430-1051
10-24139	Pump	21140-2401
10-24139	Pump	21140-2601
10-24139-1	Pump	21140-2401
10-24139-2	Pump	21140-2441
10-24139-3	Pump	21140-2601
10-24139-4	Pump	21140-2641
10-24140	Pump	10950-2401
10-24140-1	Pump	10950-2401
10-24140-2	Pump	10950-2451
10-24140-3	Pump	10950-2601
10-24214-4	Pump	29440-1001
10-24215-1	Pump	10970
10-24218-1	Pump	23430-1441
10-24239-1	Pump	22040-0501
10-24244-1	Pump	23430-1201
10-24244-2	Pump	23430-1201
10-24290-1	Pump	29440-1101
10-31197-1	Pump	29470-2231C
10-32280-1	Pump	11260-1101
10-32412-1	Pump	29300-2101C
10-32588-1	Pump	NONE
10-35038-1	Pump	52010-2001
10-35058-1	Pump	11000-01
10-35064-1	Pump	29300-2101C
10-35088-1	Pump	29300-2201C

# 13 Service Parts

## DC FLEXIBLE IMPELLER PUPPY PUMPS



### NOTE

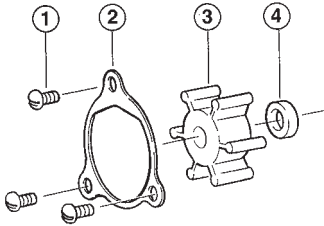
Service Kit SK224 contains Gasket 1985-01 and O-Ring X5251-049. Use whichever is appropriate.

DC FLEXIBLE IMPELLER PUPPY PUMPS						
PUMP MODEL NUMBER	SERVICE KIT NUMBER	1	2	3	4	UK/USA
		END COVER SCREW	GASKET/O-RING	IMPELLER	SEAL	
8860/8870 Series	SK374-0003	SP1002-09	7828	1414-0003	SP2701-52	UK
6360-0001	90062-0001	91004-0090	1985-0010	6303-0001	93000-0100	USA
6360-1001	90062-0001	91004-0090	18753-0104	6303-0001	93000-0100	USA
6360-1003	90062-0003	91004-0090	18753-0104	6303-0003	93000-0100	USA
6370-0001	90062-0001	91004-0090	1985-0010	6303-0001	93000-0100	USA
6370-1001	90062-0001	91004-0090	18753-0104	6303-0001	93000-0100	USA
6380-0001	90062-0001	91004-0090	1985-0010	6303-0001	93000-0100	USA
6380-1001	90062-0001	91004-0090	18753-0104	6303-0001	93000-0100	USA
6360/6370 Series	SK224	SP1004-09	1985-01	6303-0003	SP2701-09	UK
8860-0001	90092-0007	91002-0090	7828-0000	14750-0001	93000-0100	USA
8870-0001	90092-0007	91002-0090	7828-0000	14750-0001	93000-0100	USA
8880-0001	90092-0007	91002-0090	7828-0000	14750-0001	93000-0100	USA
11810-0121	90105-0001	91002-0020	3298-0000	5929-0001	92700-0420	USA
11810-0241	90105-0001	91002-0020	3298-0000	5929-0001	92700-0420	USA
11810-0321	90105-0001	91002-0020	3298-0000	5929-0001	92700-0420	USA
11810-1101	90105-0001	91002-0020	3298-0000	5929-0001	92700-0420	USA
12460-0011	90158-0051	–	92000-0750	14750-0001	1040-0000	USA
12560-0001	90126-0001	–	12558-0000	6303-0001	1040-0000	USA
12570-0001	90126-0001	–	12558-0000	6303-0001	1040-0000	USA
12580-0001	90126-0001	–	12558-0000	6303-0001	1040-0000	USA
16360-0003	90061-0003	91004-0090	1985-0010	6303-0003	93000-0100	USA
16360-1003	90061-0003	91004-0090	18753-0104	6303-0003	93000-0100	USA
16370-0003	90061-0003	91004-0090	1985-0010	6303-0003	93000-0100	USA
16370-1003	90061-0003	91004-0090	18753-0104	6303-0003	93000-0100	USA
16380-0003	90061-0003	91004-0090	1985-0010	6303-0003	93000-0100	USA
16380-1003	90061-0003	91004-0090	18753-0104	6303-0003	93000-0100	USA
17800 Series	90092-0004	91002-0090	7828-0000	14750-0003	93000-0100	USA
17820 Series	90092-0004	91002-0090	7828-0000	14750-0003	93000-0100	USA
17830 Series	–	91004-0090	18753-0660	9200-0023	18753-0384	USA
18220-1123	90061-0006	18647-0000	18753-0660	6303-0007	18753-0384	USA
18220-1127	90061-0006	18647-0000	18753-0660	6303-0007	18753-0384	USA
18620-0003	90092-0004	91002-0090	7828-0000	14750-0003	93000-0100	USA
18620-0023	90092-0004	91002-0090	7828-0000	14750-0003	93000-0100	USA
18650-0121	90061-0030	91004-0090	18753-0660	9200-0021	18753-0384	USA
18660-0121	90061-0061	91004-0090	18753-0660	6303-0001	18753-0384	USA
18670-0123	90061-0061	91004-0090	18753-0660	6303-0003	18753-0384	USA
18670-0923	90061-0061	91004-0090	18753-0660	6303-0003	18753-0384	USA
18670-0943	90061-0061	91004-0090	18753-0660	6303-0003	18753-0384	USA
21700 Series	SK105-37	SP1002-09	3298-01	5929-0003	SP2700-42	UK

DC FLEXIBLE IMPELLER PUPPY PUMPS						
PUMP MODEL NUMBER	SERVICE KIT NUMBER	1	2	3	4	UK/ USA
		END COVER SCREW	GASKET/ O-RING	IMPELLER	SEAL	
22010-2253	SK305-01	SP1002-09	21646	9200-0023	SP2701-52	UK
22010-2353	SK305-01	SP1002-09	21646	9200-0023	SP2701-52	UK
22010-2653	SK400-0003	SP1004-09	23678-0000	9200-0023	SP2701-52	UK
22010-2753	SK400-0003	SP1004-09	23678-0000	9200-0023	SP2701-52	UK
22100 Series	SK105-37	SP1002-09	3298-01	5929-0003	SP2700-42	UK
23610-2003	SK224-01	SP1004-09	1985-01	7273-0003	SP2701-52	UK
23610-2103	SK224-01	SP1004-09	1985-01	7273-0003	SP2701-52	UK
23610-3003	SK224-01	SP1004-09	X5251-049	7273-0003	SP2701-52	UK
23610-3012	SK224-01	SP1004-09	18753-0104	7273-0003	93000-0100	UK
23610-3024	SK224-01	SP1004-09	18753-0104	7273-0003	93000-0100	UK
23610-3103	SK224-01	SP1004-09	X5251-049	7273-0003	SP2701-52	UK
23620-3003	SK374-0003	SP1004-09	X5251-049	1414-0003	SP2701-52	UK
23620-3103	SK374-0003	SP1004-09	X5251-049	1414-0003	SP2701-52	UK
23620-4003	SK374-0003	SP1004-09	X5251-049	1414-0003	SP2701-52	UK
23620-4103	SK374-0003	SP1004-09	X5251-049	1414-0003	SP2701-52	UK
23670-3003	SK400-23	SP1004-09	X5251-049	9200-0023	SP2701-52	UK
23670-3103	SK400-23	SP1004-09	X5251-049	9200-0023	SP2701-52	UK
23670-4003	SK400-23	SP1004-09	X5251-049	9200-0023	SP2701-52	UK
23670-4103	SK400-23	SP1004-09	X5251-049	9200-0023	SP2701-52	UK
23680-2003	SK224	SP1004-09	1985-01	6303-0003	SP2701-52	UK
23680-2103	SK224	SP1004-09	1985-01	6303-0003	SP2701-52	UK
23680-3003	SK224	SP1004-09	X5251-049	6303-0003	SP2701-52	UK
23680-3012	SK224	SP1004-09	18753-0104	6303-0003	93000-0100	UK
23680-3024	SK224	SP1004-09	18753-0104	6303-0003	93000-0100	UK
23680-3103	SK224	SP1004-09	X5251-049	6303-0003	SP2701-52	UK
23680-4003	SK224	SP1004-09	X5251-049	6303-0003	SP2701-52	UK
23680-4103	SK224	SP1004-09	X5251-049	6303-0003	SP2701-52	UK
23920-2213	SK415-0113	X3001-147F	X4020-257A	7273-0003	SP8021-0301B	UK
23920-2313	SK415-0113	X3001-147F	X4020-257A	7273-0003	SP8021-0301B	UK
23920-2403	SK416-0003	X3001-147F	X4020-257A	6303-0003	SP2701-52	UK
23920-2503	SK416-0003	X3001-147F	X4020-257A	6303-0003	SP2701-52	UK
23920-9213	SK415-0003	X3001-147F	X4020-257A	7273-0003	SP8021-0301B	UK
23920-9313	–	X3001-147F	X4020-257A	7273-0003	SP8021-0301B	UK
23920-9403	–	X3001-147F	X4020-257A	6303-0003	SP2701-52	UK
23920-9503	–	X3001-147F	X4020-257A	6303-0003	SP2701-52	UK
29160 Series	SK400-0021	SP1004-09	23678-0000	9200-0021	SP2701-52	UK
29190 Series	–	X3001-147F	X4020-257A	7273-0003	SP8021-0301B	UK

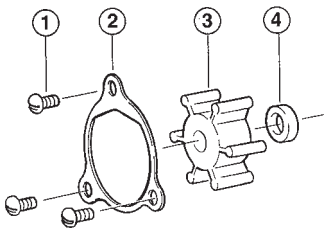
# 13 Service Parts

AC FLEXIBLE IMPELLER PUMPS, AC & DC MACERATOR AND CENTRIFUGAL PUMPS, SLIDING VANE PUMPS

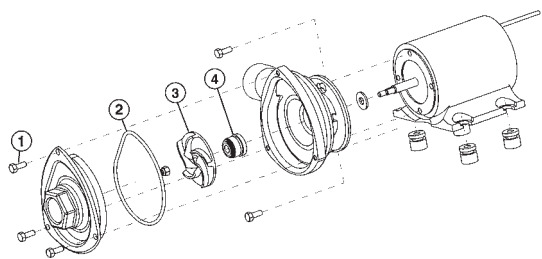


AC FLEXIBLE IMPELLER PUMPS						
PUMP MODEL NUMBER	SERVICE KIT NUMBER	1	2	3	4	UK/ USA
		END COVER SCREW	GASKET/ O-RING	IMPELLER	SEAL	
6050-0001	90058-0003	91004-0090	890-0000	6056-0001	92700-0080	USA
6050-0003	90058-0003	91004-0090	890-0000	6056-0003	92700-0080	USA
6050-0253	90058-0003	91004-0090	890-0000	6056-0003	92700-0080	USA
6050-0713	90058-0003	91004-0090	890-0000	6056-0003	92700-0080	USA
11810-0001	90105-0001	91003-0010	3298-0000	5929-0001	92700-0420	USA
11810-0003	90105-0001	91003-0010	3298-0000	5929-0003	92700-0420	USA
12210-0001	90092-0007	91002-0010	7828-0000	1414-0001	93000-0100	USA
12210-0003	90092-0004	91002-0010	7828-0000	1414-0003	93000-0100	USA
12310-0001	90158-0011	91023-0050*	92000-0750	14792-0001	1040-0000	USA
12310-0003	90158-0011	91023-0050*	92000-0750	14792-0003	1040-0000	USA
12510-0001	90106-0001	91002-0090*	9156-0000	9200-0001	1040-0000	USA
12510-0003	90106-0003	91004-0090*	9156-0000	9200-0003	1040-0000	USA
12520-0001	90061-0002	91002-0010	1985-0011	7273-0001	93000-0100	USA
12520-0003	90061-0023	91002-0010	1985-0011	7273-0003	93000-0101	USA
12520-1001	90061-0002	91002-0010	18753-0104	7273-0001	93000-0102	USA
12520-1003	90061-0023	91002-0010	18753-0104	7273-0003	93000-0103	USA
17600-0001	–	–	17638-0000	17486-0001	1040-0000	USA
18610-0001	90061-0032	91002-0090*	18753-0660	7273-0001	18753-0384	USA
18610-0003	90061-0032	91004-0090*	18753-0660	7273-0003	18753-0384	USA
53020-2011	SK416-0001	X4001-147F	X4020-257A	7273-0001	SP8021-0301B	UK
53020-2013	SK416-0003	X4001-147F	X4020-257A	7273-0003	SP8021-0301B	UK
53040-2003	SK409-0003	X4001-147F	X4020-259A	14281-0003	22626-0000	UK
53040-2021	SK409-0021	X4001-147F	X4020-259A	8980-0001	22626-0000	UK
53040-2103	SK409-0003	X4001-147F	X4020-259A	14281-0003	22626-0000	UK
53080-2001	SK411-0001	X3001-176F	X4020-269A	14282-0001	22626-0000	UK
53080-2003	SK411-0003	X3001-176F	X4020-269A	14282-0003	22626-0000	UK

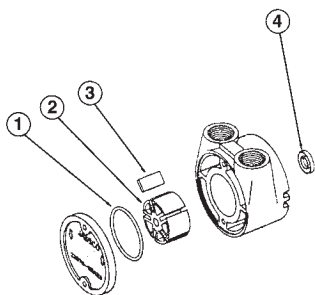
\* Not in Service Kit.



AC & DC MACERATOR PUMPS						
PUMP MODEL NUMBER	SERVICE KIT NUMBER	1	2	3	4	UK/ USA
		END COVER SCREW	GASKET/ O-RING	IMPELLER	SEAL	
18590 Series	18598-1000	–	18596-1000	6303-0003	1040-0000	USA
18690-0000	18598-1000	–	18596-1000	6303-0003	1040-0000	USA
18690-0010	18598-1000	–	18596-1000	6303-0003	1040-0000	USA
21950 Series	SK368-0003	–	18596-0000	6303-0003	1040-0000	UK
22130 Series	–	–	18596-0000	7273-0003	SP2701-52	UK
23570 Series	–	–	18596-0000	7273-0003	SP2701-52	UK



AC & DC CENTRIFUGAL PUMPS					
PUMP MODEL NUMBER	1	2	3	4	UK/ USA
	END COVER SCREW	GASKET/ O-RING	IMPELLER	SEAL	
18510-0000	91003-0230	18516-0000	18515-0000	1040-0000	USA
18510-0001	91003-0230	18516-0000	18515-0000	1040-0000	USA
18510-0002	91003-0230	18516-0000	18515-0000	1040-0000	USA
18510-0010	91003-0230	18516-0000	18526-0000	96080-0552	USA
18510-0020	91003-0230	18516-0000	18526-0000	96080-0552	USA
18510-0021	91003-0231	18516-0000	18526-0000	96080-0552	USA
18510-2000	SP1003-0230	18516-0000	18515-0000	SP2701-52	UK
18510-2100	SP1003-0230	18516-0000	18515-0000	SP2701-52	UK
18510-9200	SP1003-0230	18516-0000	18526-0000	SP6080-0552	UK
18510-9300	SP1003-0230	18516-0000	18526-0000	SP6080-0552	UK
18580-0000	91003-0230	18516-0000	18515-0000	1040-0000	USA
50045-2100	SP1003-0230	18516-0000	18526-0000	SP6080-0552	UK
50840-0012	91095-6325	X4020-384A	50831-0000	96080-6564	UK
50840-0024	91095-6325	X4020-384A	50831-0000	96080-6564	UK
50840-2012	91095-6325	X4020-384A	50831-0000	96080-6564	UK
50840-2024	91095-6325	X4020-384A	50831-0000	96080-6564	UK
50870-0012	91095-6325	X4020-369A	50871-0000	96080-6564	UK
50870-0024	91095-6325	X4020-369A	50871-0000	96080-6564	UK
50870-2012	91095-6325	X4020-369A	50871-0000	96080-6564	UK
50870-2024	91095-6325	X4020-369A	50871-0000	96080-6564	UK

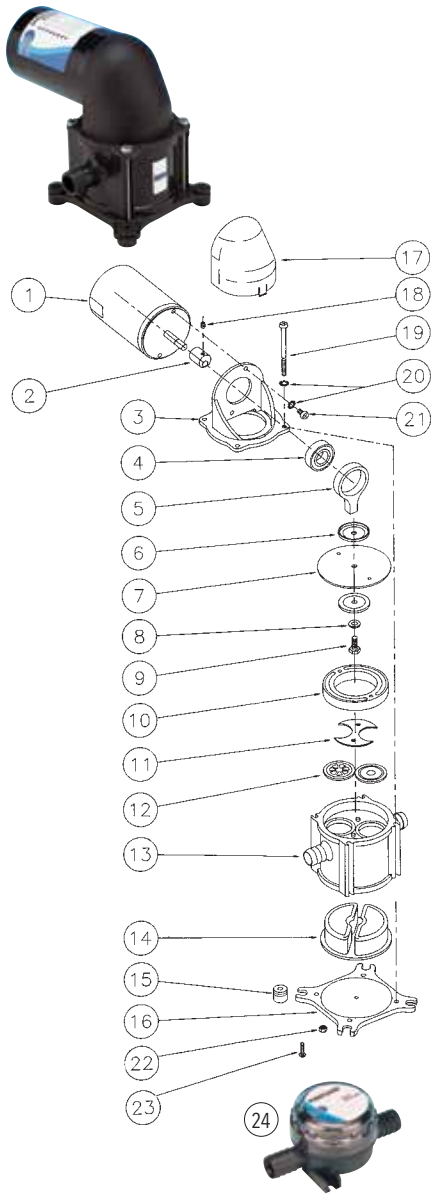
**NOTE**

Service Kits SK421-0000 and SK422-0000 contain just four Vanes and O-Ring. If Rotor is required, it should be ordered separately.

SLIDING VANE PUMPS						
PUMP MODEL NUMBER	SERVICE KIT NUMBER	1	2	3	4	UK/ USA
		O-RING	ROTOR	VANES	SEAL	
18680-0920	90200-0001	18753-0660	18753-0073	18753-0072	18753-0384	USA
18680-0940	90200-0001	18753-0660	18753-0073	18753-0072	18753-0384	USA
18680-1000	90200-0001	18753-0660	18753-0073	18753-0072	18753-0384	USA
18685-0000	90200-0001	18753-0660	18753-0073	18753-0072	18753-0384	USA
23530 Series	SK399-0101	X1990-131	45714-0000	45716-0000B	SP2701-52	UK
23540 Series	SK388-0000	X4020-264A	23542-0000	23183-0010	SP2701-0504	UK
23550 Series	SK397-0000	X4020-269A	23552-0000	23553-0010	SP6080-0408	UK
23590 Series	SK399-0201	X1990-131	23591-0000	45716-0000B	SP2701-52	UK
23870 Series	SK399-0101	X1990-131	45714-0000	45716-0000	SP2701-52	UK
45710-0000	90200-0000	18753-0071	18753-0073	18753-0072	1040-0000	USA
45710-0020	90200-0000	18753-0071	18753-0073	18753-0072	1040-0000	USA
45710-1000	90200-0000	18753-0071	18753-0073	18753-0072	1040-0000	USA
45710-1020	90200-0000	18753-0071	18753-0073	18753-0072	1040-0000	USA
45710-2010	90200-0000	18753-0071	18753-0073	18753-0072	1040-0000	USA
45710 Series	90200-0000	18753-0071	45714-0000	18753-0072	1040-0000	USA
45740-0000	90200-0000	18753-0071	18753-0073	18753-0072	1040-0000	USA
50130/40 Series	SK414-0000	Bypass Valve Service Kit				UK
	SK413-0000	X4020-247A	45714-0000	45716-0000B	SP2701-52	UK
VR050 Series	SK421-0000	X4020-264A	50242-0000	50243-0000	SP2701-0504	UK
VR100 Series	SK422-0000	X4020-374A	50252-0000	50253-0000	SP2701-0504	UK
VF040 Series	SK422-0025	Included in Service Kit				UK
VF060 Series	SK422-0035	Included in Service Kit				UK
VF100 Series	SK422-0045	Included in Service Kit				UK

# 13 Service Parts

SHOWER DRAIN/BILGE AND WASTE PUMPS

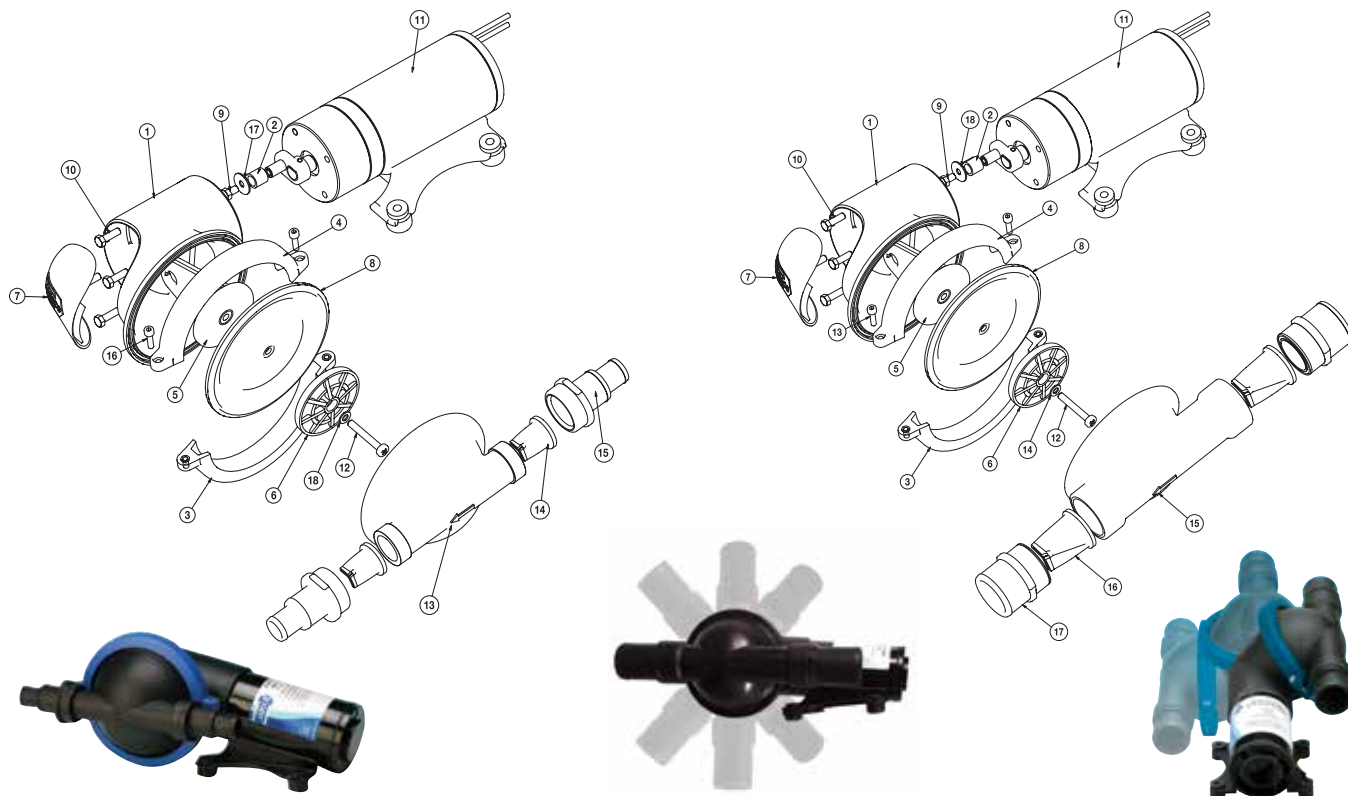


## 37202-2 SERIES SHOWER DRAIN PUMP

### REPAIR KITS AVAILABLE

KIT	MODEL NUMBER	DESCRIPTION
<b>A</b>	50095-1000	Major Service Kit
<b>B</b>	50096-1012	Motor Kit 12V DC
<b>C</b>	50096-1024	Motor Kit 24V DC
<b>D</b>	50097-1000	Connecting Rod Kit

KEY	DESCRIPTION	QTY PER PUMP	MODEL NUMBER	QTY PER REPAIR KIT			
				A	B	C	D
<b>1</b>	Motor 12V DC	1			1		
	Motor 24VDC	1				1	
<b>2</b>	Eccentric Drive	1					1
<b>3</b>	Bracket	1	50092-1000				
<b>4</b>	Bearing	1					1
<b>5</b>	Connecting Rod	1					1
<b>6</b>	Diaphragm Plate	1	50099-1000	1			
<b>7</b>	Diaphragm	1	50099-1000	1			
<b>8</b>	Sealing Washer	1		1			1
<b>9</b>	Bolt	1		1			1
<b>10</b>	Diaphragm Ring	1	35788-0000				
<b>11</b>	Valve Retainer	1	35816-0000	1			
<b>12</b>	Valve Set	1	30005-0000	1			
<b>13</b>	Body	1	50098-1000				
<b>14</b>	Pulsation Dampener	1	37179-0000	1			
<b>15</b>	Grommet	4		1			
<b>16</b>	Foot	1	50094-1000				
<b>17</b>	Cover	1	50093-1000				
<b>18</b>	Grub Screw	1					1
<b>19</b>	Bolt	4		1			1
<b>20</b>	Lock Washer	2			2	2	1
<b>21</b>	Motor Screw	2			2	2	1
<b>22</b>	Nut	4					1
<b>23</b>	Screw	1		1			
<b>24</b>	Pumpgard™	1	46200-0000				



50890 WASTE PUMP		
MODEL NUMBER	VOLTAGE	FUSE SIZE
50890-1000	12V DC	10A
50890-1100	24V DC	5A
SERVICE KIT (INCLUDES *)		
SK890	Service Kit – Waste Pump	

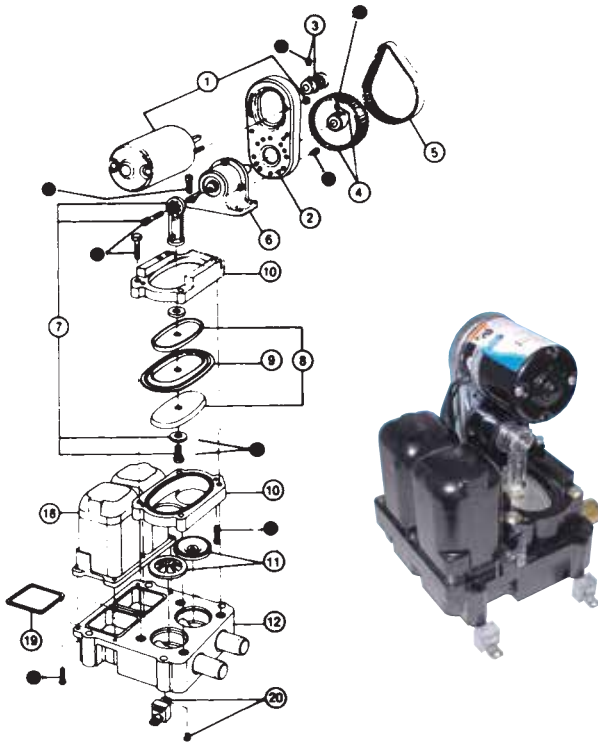
50880 SHOWER DRAIN/BILGE PUMP		
MODEL NUMBER	VOLTAGE	FUSE SIZE
50880-1000	12V DC	10A
50880-1100	24V DC	5A
SERVICE KIT (INCLUDES *)		
SK880	Service Kit – Shower Drain Pump	

KEY	DESCRIPTION	*QTY PER KIT
1	Bracket	
2	Bushing	
3	Clamp Bottom	
4	Clamp Top	
5	Connecting Rod	
6	Connecting Rod Plate	
7	Cover	1
8	Diaphragm	1
9	Hex Head Screw	
10	Hex Head Screw	4
11	Motor Assembly	
12	Screw Recessed Pan Head	1
13	Socket Head Screw	
14	Washer	1
15	Waste Pump Chamber	
16	Waste Pump Joker Valve	2
17	Waste Pump Port	2
18	Washer	

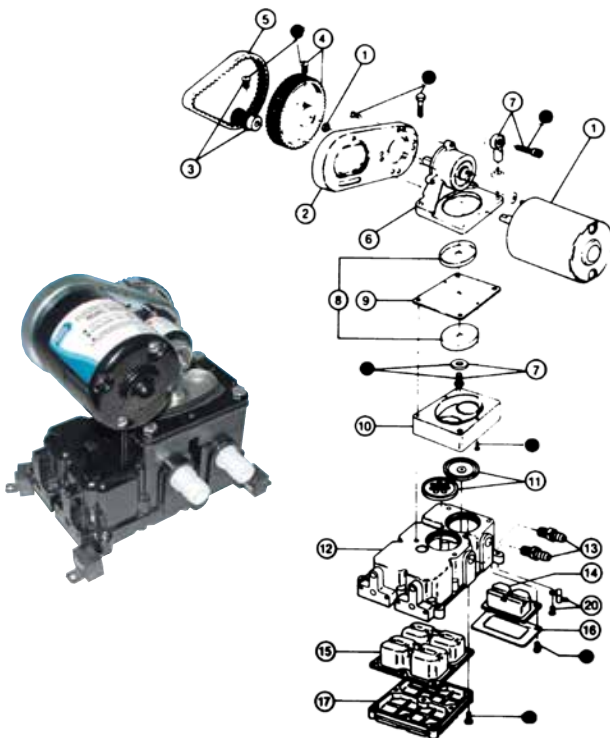
KEY	DESCRIPTION	*QTY PER KIT
1	Bracket	
2	Bushing	
3	Clamp Bottom	
4	Clamp Top	
5	Connecting Rod	
6	Connecting Rod Plate	
7	Cover	1
8	Diaphragm	1
9	Hex Head Screw	
10	Hex Head Screw	4
11	Motor Assembly	
12	Screw Recessed Pan Head	1
13	Shower Drain and Bilge Pump Chamber	
14	Shower Drain and Bilge Pump Joker Valve	2
15	Shower Drain and Bilge Pump Port	2
16	Socket Head Screw	
17	Washer	
18	Washer	1

# 13 Service Parts

TRADITIONAL PAR PUMPS



34600 SERIES (WAS 6600J) BILGE PUMP			
KEY	DESCRIPTION	MODEL NUMBER	QTY
1	Motor Kit 12V DC	30200-0000	1
	Motor Kit 24V DC	30200-0010	
2	Motor Mount	34628-0000	1
3	Small Pulley	37169-0000	1
4	Large Pulley (with key way)	37170-0001	1
5	Belt	30021-0000	* 1
6	Jack Shaft Assembly	35037-0001	1
7	Connecting Rod Assembly	37172-0001	1
8	Diaphragm Plate	Top 34640-0000	1
		Bottom 34637-0000	1
9	Diaphragm	30012-0000	* 1
10	Retainer	Top 34633-0000	1
		Bottom 34634-0000	1
11	Valve Set (Inlet and Outlet)	30002-0000	* † 1 set
12	Base Assembly (See †)	34623-0000	1
18	Surge Chamber	34635-0000	1
19	Gaskets	37181-0000	† 1 set
20	Vibration Pad Kit	37180-0000	1 set
21	Hardware Kit	37164-0001	1 set
	Service Kit (See*)	30101-0000	*



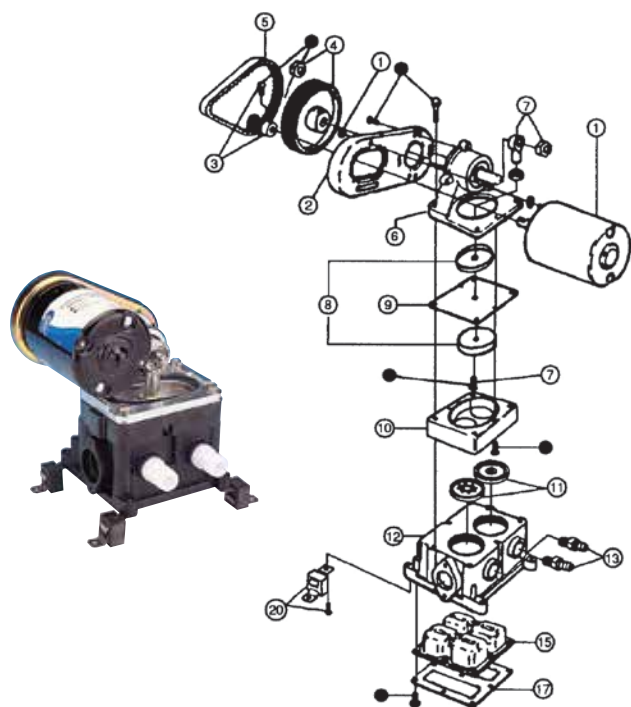
36600 SERIES (WAS 6600J) BILGE PUMP			
KEY	DESCRIPTION	MODEL NUMBER	QTY
1	Motor Kit 12V DC	30200-0000	1
	Motor Kit 24V DC	30200-0010	
2	Motor Mount	34628-0000	1
3	Small Pulley	37169-0000	1
4	Large Pulley (with key way)	37171-0001	1
5	Belt	30022-0000	* 1
6	Jack Shaft Assembly	35691-0001	1
7	Connecting Rod Assembly	37173-0001	1
8	Diaphragm Plate	35212-0000	2
9	Diaphragm	30016-0000	* 1
10	Retainer	35173-0000	1
11	Valve Set (Inlet and Outlet)	30003-0000	* † 1 set
12	Base Assembly (See †)	35630-1100	† 1
13	Ports (Inlet and Outlet)	37175-0000	† 1
14	Small Pulsation Dampener	37177-0000	* † 1
15	Pulsation Dampener	37178-0000	* † 1
16	Small Bottom Plate	35628-0000	† 1
17	Bottom Plate	35623-0000	† 1
20	Vibration Pad Kit	37180-0000	† 1 set
21	Hardware Kit	37165-0000	1 set
	Service Kit (See*)	30124-0000	*

\* Indicates parts contained in Service Kit.

† Indicates parts supplied with Base Assembly.

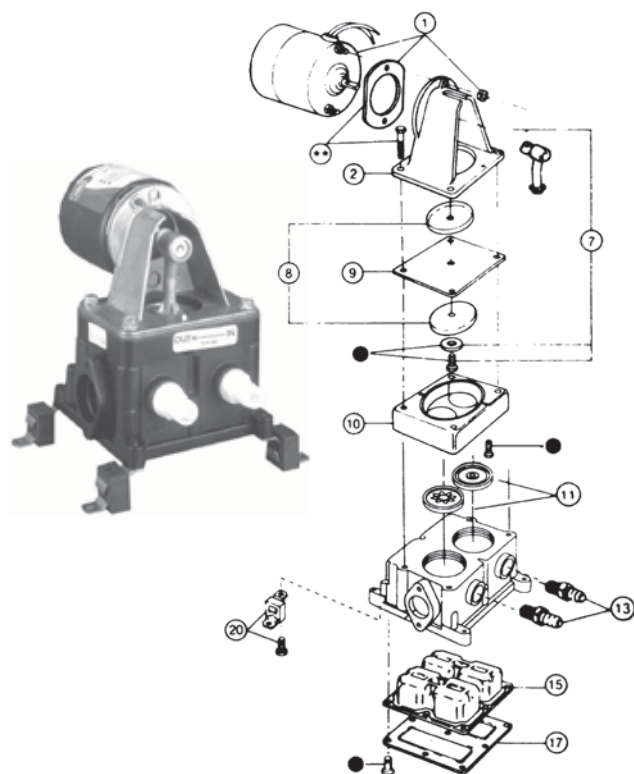
Note: Jack Shaft Assembly includes new style connecting rod (37173-0001) with 5/16" (8mm) diameter hole and two lock nuts. Previous model pumps use a connecting rod (37173-0000) with a 1/4" (6mm) diameter hole and bolt.





● Indicates items included in Hardware Kit (Key 21).

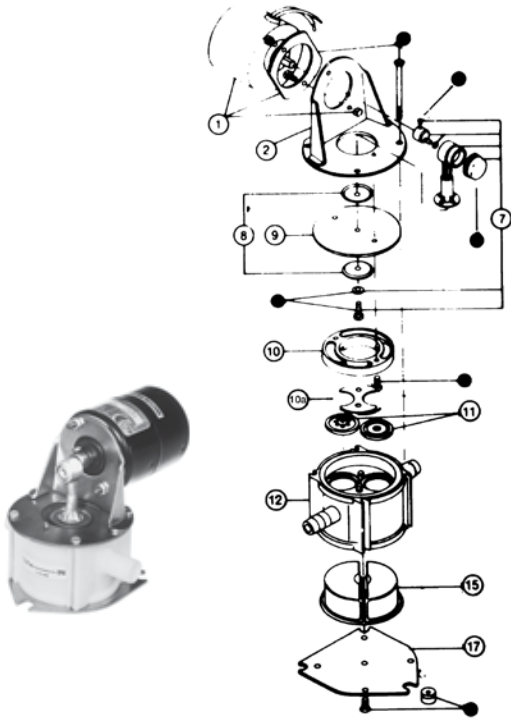
36680 SERIES (WAS 6680J) BILGE PUMP			
KEY	DESCRIPTION	MODEL NUMBER	QTY
1	Motor Kit 12V DC	30200-0000	1
	Motor Kit 24V DC	30200-0010	
	Motor Kit 32V DC	30200-0020	
2	Motor Mount	34628-0000	1
3	Small Pulley	37169-0000	1
4	Large Pulley (with key way)	37171-0001	1
5	Belt	30022-0000 *	1
6	Jack Shaft Assembly	35690-0002 (See Note)	1
7	Connecting Rod Assembly	37173-0001	1
8	Diaphragm Plate	35212-0000	2
9	Diaphragm	30016-0000 *	1
10	Retainer	35173-0000	1
11	Valve Set (Inlet and Outlet)	30003-0000 * †	1 set
12	Base Assembly (See †)	44114-1000 †	1
13	Ports (Inlet and Outlet)	37175-0000 †	1
15	Pulsation Dampener	44127-1000 †	1
17	Bottom Plate	35686-0000 †	1
20	Vibration Pad Kit	43990-0058 †	1 set
21	Hardware Kit	43990-0071	1 set
	Service Kit (See*)	43990-0062 *	



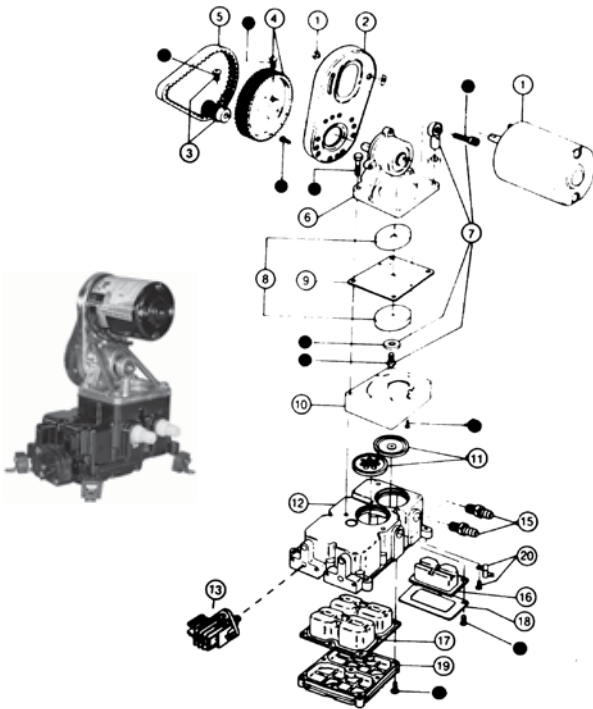
36960 SERIES (WAS 6960J) BILGE PUMP					
KEY	DESCRIPTION	MODEL NUMBER	QTY	SERIES	
				1000	2000
1	Motor Kit 12V DC	30202-0000	1	●	●
	Motor Kit 24V DC	30201-0010			
2	Motor Mount	35487-0000	1	●	●
7	Connecting Rod Assembly	30040-0000 *	1	●	●
8	Diaphragm Plate	35688-0000	2	●	●
9	Diaphragm	30015-0000 *	1	●	●
10	Retainer	35455-0000	1	●	●
11	Valve Set (Inlet and Outlet)	30003-0000 * †	1 set	●	●
12	Base Assembly (See †)	35620-0000 †	1	●	
		44114-1000 †	1		●
13	Ports (Inlet and Outlet)	37175-0000 †	1	●	●
15	Pulsation Dampener	37178-0000 †	1	●	
		44127-1000 †	1		●
17	Bottom Plate	35686-0000 †	1	●	●
20	Vibration Pad Kit	37180-0000 †	1 set	●	
		44990-0058 †	1 set		●
21	Hardware Kit	37166-0000	1 set	●	
		43990-0060	1 set		●
	Service Kit (See*)	30120-0000 *		●	
		43990-0063 *			●

# 13 Service Parts

TRADITIONAL PAR PUMPS



37202 SERIES 1 (WAS 7202) BILGE PUMP			
KEY	DESCRIPTION	MODEL NUMBER	QTY
1	Motor Kit 12V DC	30201-0000 (See Note 1)	1
	Motor Kit 24V DC	30200-0040	
2	Motor Mount	35797-0000	1
7	Connecting Rod Assembly	30040-0000 *	1
8	Diaphragm Plate	35688-0000 (See Note 2)	2
9	Diaphragm	37174-0000 *	1
10	Retainer	35788-0000	1
10a	Retainer Plate	35816-0000	1
11	Valve Set (Inlet and Outlet)	30005-0000 *	1 set
12	Base Assembly (See †)	35795-0000 †	1
15	Pulsation Dampener	37179-0000 *	1
17	Bottom Plate	35798-0000 *	1
21	Hardware Kit	37168-0000	1 set
	Service Kit (See*)	37182-0000 *	



36900 SERIES (WAS 6900J) WATER PUMP			
KEY	DESCRIPTION	MODEL NUMBER	QTY
1	Motor Kit 12V DC	30200-0000	1
	Motor Kit 24V DC	30200-0010	
2	Motor Mount	34628-0000	1
3	Small Pulley	37169-0000	1
4	Large Pulley (with key way)	37170-0001	1
5	Belt	30021-0000 *	1
6	Jack Shaft Assembly	35690-0001	1
7	Connecting Rod Assembly	37173-0001	1
8	Diaphragm Plate	35212-0000	2
9	Diaphragm	30016-0000 *	1
10	Retainer	35173-0000	1
11	Valve Set (Inlet and Outlet)	30004-0000 * †	1 set
12	Base Assembly (See †)	35625-1100 †	1
13	Pressure Switch	37121-0010	1
		37121-0000 (See Note 2)	1
15	Ports (Inlet and Outlet) Barb**	37176-0000 †	1 set
16	Small Pulsation Dampener	37177-0000 * †	1
17	Pulsation Dampener	37178-0000 * †	1
18	Small Bottom Plate	35628-0000 †	1
19	Bottom Plate	35623-0000 †	1
20	Vibration Pad Kit	37180-0000 †	1 set
21	Hardware Kit	37165-0000	1 set
	Service Kit (See*)	30121-0000 *	

\* Indicates parts contained in Service Kit.

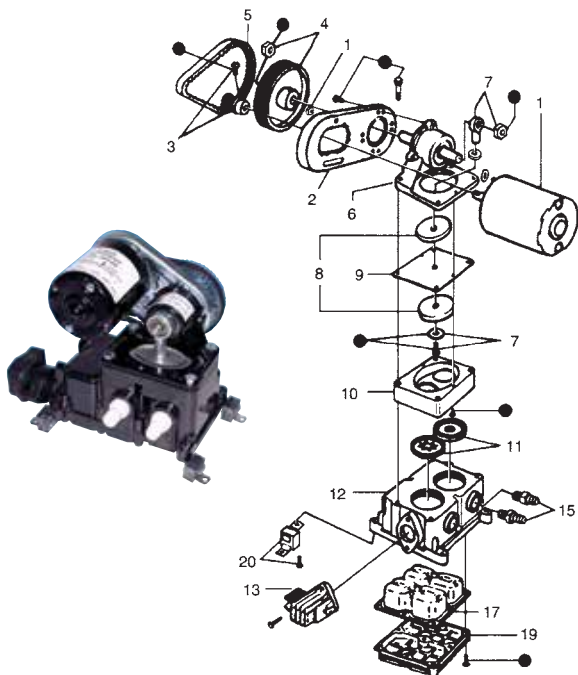
† Indicates parts supplied with Base Assembly.

\*\* 1/2" (13mm) Threaded Outlet Port (37050-0001).  
 1/2" (13mm) Threaded Inlet Port (37050-0000).  
 1/2" (13mm) Flare Outlet Port (37050-0002).  
 1/2" (13mm) Flare Inlet Port (37050-0003).

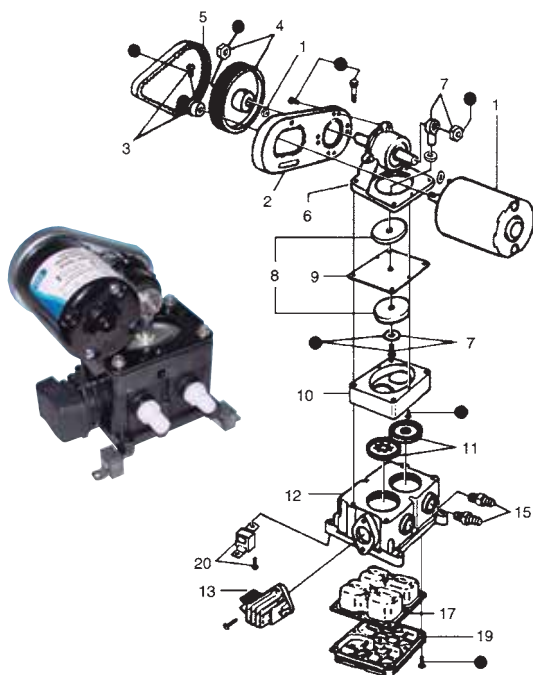
Note 1: For model 37205-0000, use replacement motor number 30202-0000 (12 volt only).

Note 2: Includes Switch and Conversion Kit to mount new type switch onto older style -J and -0000 pumps.

Note 3: Jack Shaft Assembly includes new style connecting rod (37173-0001) with 5/16" (8mm) diameter hole and two lock nuts. Previous model pumps use a connecting rod (37173-0000) with a 1/4" (6mm) diameter hole and bolt.



3680 SERIES WATER PUMP			
KEY	DESCRIPTION	MODEL NUMBER	QTY
1	Motor Kit 12V DC	30200-0000	1
	Motor Kit 24V DC	30200-0010	
	Motor Kit 32V DC	30200-0020	
2	Motor Mount	34628-0000	1
3	Small Pulley	37169-0000	1
4	Large Pulley (with key way)	37171-0001	1
5	Belt	30022-0000 *	1
6	Jack Shaft Assembly	35690-0002 (See Note 3)	1
7	Connecting Rod Assembly	37173-0001	1
8	Diaphragm Plate	35212-0000	2
9	Diaphragm	30016-0000 *	1
10	Retainer	35173-0000	1
11	Valve Set (Inlet and Outlet)	30003-0000 * †	1 set
12	Base Assembly (See †)	44114-1000 †	1
13	Ports (Inlet and Outlet)	37175-0000 †	1
15	Pulsation Dampener	44127-1000 †	1
17	Bottom Plate	35686-0000 †	1
20	Vibration Pad Kit	43990-0058 †	1 set
21	Hardware Kit	43990-0071	1 set
	Service Kit (See*)	43990-0062 *	



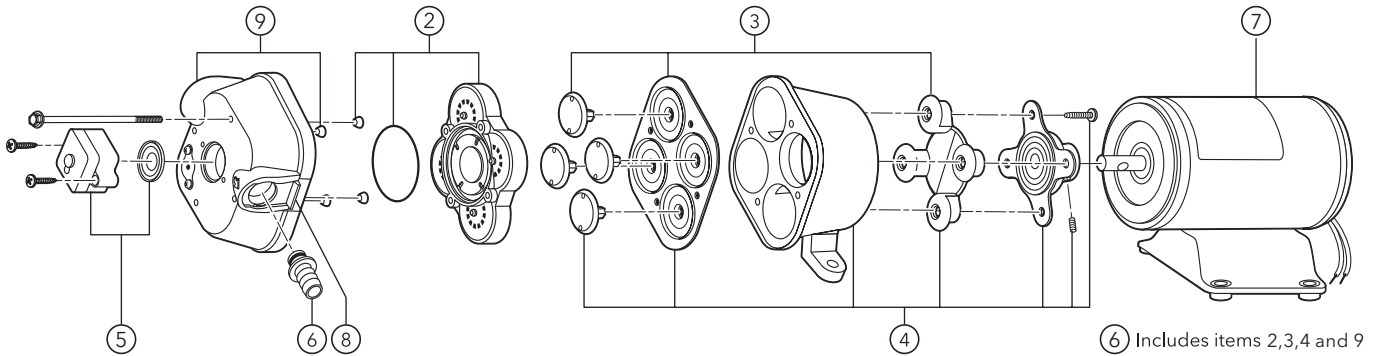
3695 SERIES WATER PUMP					
KEY	DESCRIPTION	MODEL NUMBER	QTY	SERIES	
				1000	2000
1	Motor Kit 12V DC	30202-0000	1	•	•
	Motor Kit 24V DC	30201-0010			
2	Motor Mount	35487-0000	1	•	•
7	Connecting Rod Assembly	30040-0000 *	1	•	•
8	Diaphragm Plate	35688-0000	2	•	•
9	Diaphragm	30015-0000 *	1	•	•
10	Retainer	35455-0000	1	•	•
11	Valve Set (Inlet and Outlet)	30003-0000 * †	1 set	•	•
12	Base Assembly (See †)	35620-0000 †	1	•	
		44114-1000 †	1		•
13	Ports (Inlet and Outlet)	37175-0000 †	1	•	•
15	Pulsation Dampener	37178-0000 †	1	•	
		44127-1000 †	1		•
17	Bottom Plate	35686-0000 †	1	•	•
20	Vibration Pad Kit	37180-0000 †	1 set	•	
		44990-0058 †	1 set		•
21	Hardware Kit	37166-0000	1 set	•	
		43990-0060	1 set		•
	Service Kit (See*)	30120-0000 *		•	
		43990-0063 *			•

# 13 Service Parts

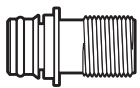
V-FLO 5.0 PUMP



V-FLO 5.0 PUMP			
KEY	DESCRIPTION	MODEL NUMBER	QTY
2	Valve Kit	18911-7030	1
3	Diaphragm Kit	18912-3040	1
4	Lower Housing Kit	18915-9002	1
5	Pressure Switch	37121-0010	1
6	Service Kit	18920-9043	1
7	Motor 12V DC	18753-5236	1
	Motor 24V DC	18753-5237	1
8	Side Clips	30648-1000	1
9	Pump Head Assembly	18914-0030	1
10	Pumpgard™ Strainer (not shown)	46400-9500	1

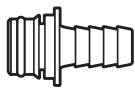


## Accessories – Snap-In Port Fittings



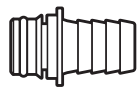
20381-000

QUAD PORT x  
1/2" MALE QEST.  
STRAIGHT



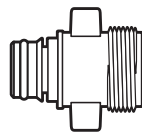
20381-002

QUAD PORT x  
1/2" HOSE BARB  
STRAIGHT



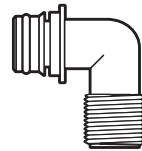
20381-006

QUAD PORT x  
3/4" HOSE BARB  
STRAIGHT



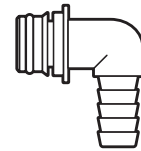
20381-007

QUAD PORT x  
GARDEN HOSE  
STRAIGHT



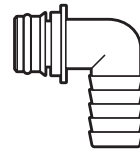
20381-008

QUAD PORT x  
1/2" MALE QEST.  
90° ELBOW



20381-009

QUAD PORT x  
1/2" HOSE BARB  
90° ELBOW



20381-010

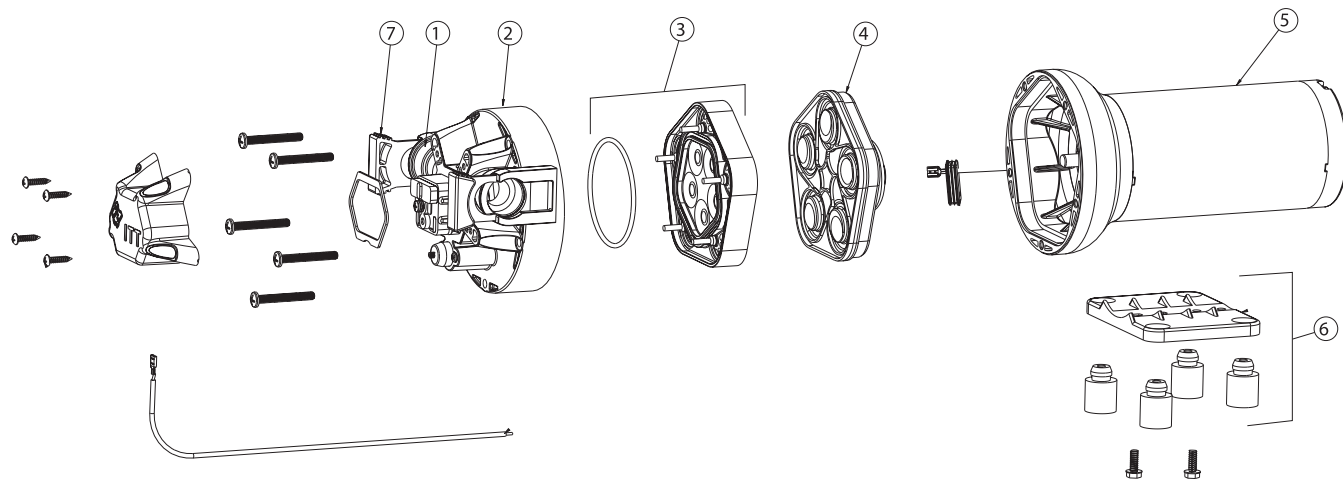
QUAD PORT x  
3/4" HOSE BARB  
90° ELBOW

# Service Parts 13

PAR-MAX PLUS SERIES PUMPS



PAR-MAX PLUS SERIES PUMPS						
KEY	DESCRIPTION	PSI	4.0 GPM	5.0 GPM	6.0 GPM	QTY
1	Switch	25	18916-1025	18916-1025	18916-1025	1
		40	18916-1040	18916-1040	18916-1040	1
		60	18916-1060	18916-1060	18916-1060	1
2	Upper Housing/ Switch	25	18753-8004	18753-8004	18753-8007	1
		40	18753-8005	18753-8005	18753-8008	1
		60	18753-8006	18753-8006	18753-8009	1
3	Valve Housing		18753-8001	18753-8001	18753-8001	1
4	Diaphragm		Inquire with the factory			
5	Motor 12V DC		18753-9300	18753-9299	18753-9298	1
	Motor 24V DC		18753-9240	18753-9239	18753-9238	1
6	Baseplate with Grommets		18753-8003	18753-8003	18753-8003	1

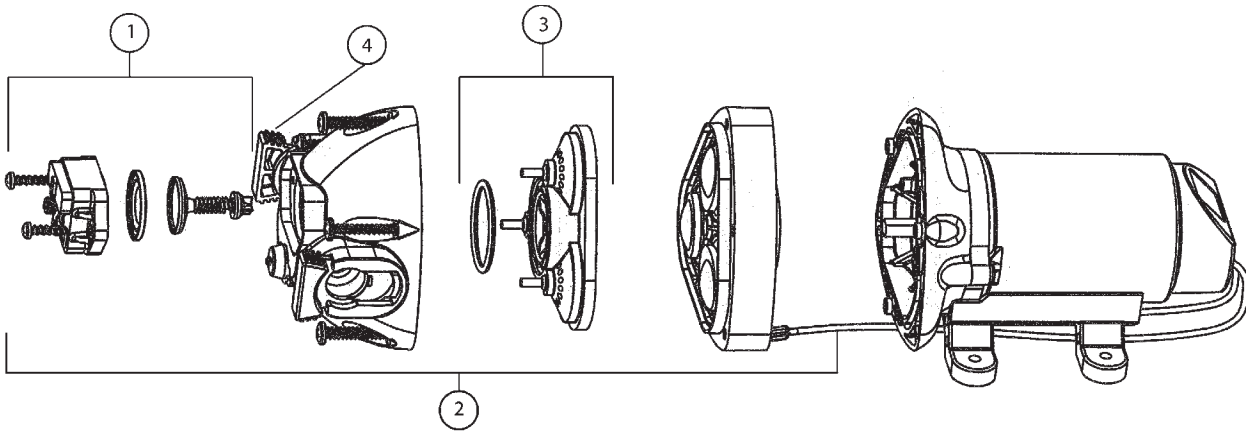


# 13 Service Parts

PAR-MAX SERIES & PAR-MATE PUMPS

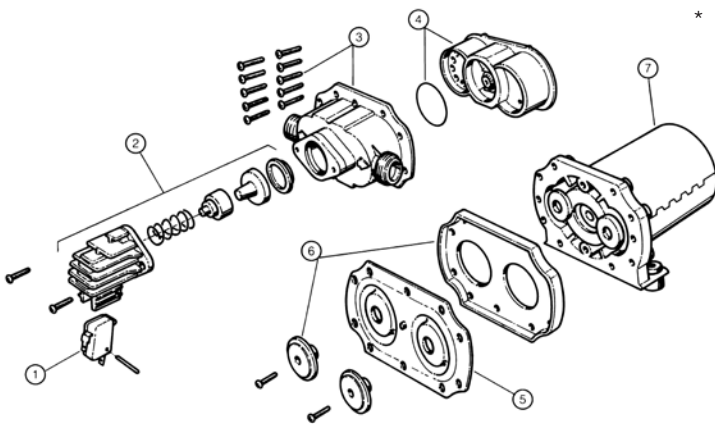


PAR-MAX 1.9 AND 2.9 WATER SYSTEM PUMPS						
KEY	DESCRIPTION	PSI	31395 SERIES	31295 SERIES	31331 SERIES	QTY
1	Pressure Switch	25	18916-1025	18916-1025	N/A	1
		40	18916-1040		N/A	1
		50	18916-1050		N/A	1
2	Pump Head Assembly	25	18914-1025	18914-0025	18914-1000	1
		40	18914-1040			1
		50	18914-1050			1
3	Check Valve Assembly		18911-1030	18911-1030	18911-1030	1
4	Side Clips (pair)		30647-1000	30647-1000	30647-1000	1



44010 AND 44020 SERIES PAR-MATE PUMPS (DISC. MODELS)			
KEY	DESCRIPTION	MODEL NUMBER	QTY
1	Micro Switch	18753-0141	1
2	High Pressure Switch	37121-0010 *	1
	Low Pressure Switch	44814-1000 *	1
3	Body Kit 44010	No Longer Available	1
	Body Kit 44020	No Longer Available	1
4	Valve Kit	No Longer Available	1
5	Diaphragm Kit	44017-2000	1
6	Plate/Piston Kit	No Longer Available	1
7	Motor Kit 12V DC	No Longer Available	1
	Motor Kit 24V DC	No Longer Available	1

\* Models 44010-2010 and 44010-2011 use low pressure switches. Model 44010-2000 uses high pressure switch. Model 44020 Series is not fitted with a pressure switch.



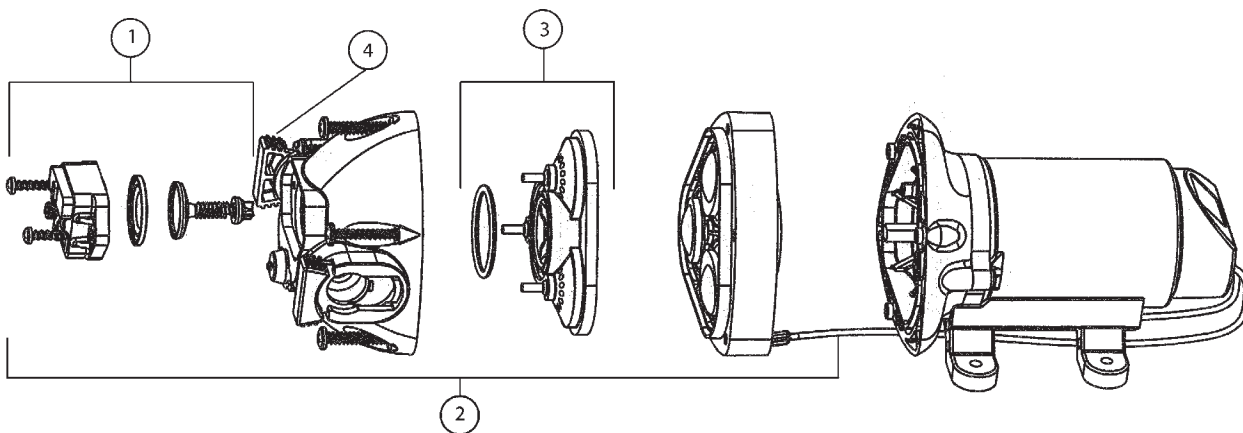
# Service Parts 13

## PAR-MAX 4.0 GPM WASHDOWN PUMP



PAR-MAX 4.0 GPM WASHDOWN PUMP			
KEY	DESCRIPTION	MODEL NUMBER	QTY
1	Pressure Switch	18916-1060	1
2	Pump Head	18914-1060	1
3	Valve Kit	18911-1030	1
4	Side Clips	30647-1000	2
5	Motor Kit 12V DC	18919-0187	1
	Motor Kit 24V DC	18919-1080	1
7	Pumpgard™ Strainer*	46400-9500	1
	Spray Nozzle US*	30703-1000	1
	Spray Nozzle EC Adapter*	30704-1000	1
8	Hose Coil, 25' (7.6m)*	31910-3015	1

\* Not shown in drawing.



# 13 Service Parts

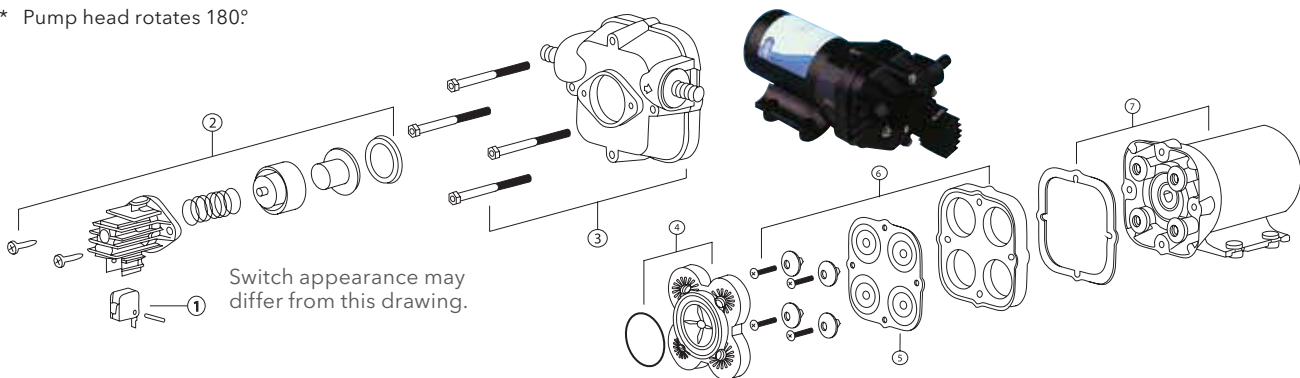
OLD 30XXX SERIES PAR-MAX PUMPS



WATER SYSTEM PUMPS						
KEY	DESCRIPTION	30600 SERIES	30620 SERIES	30710 SERIES	30720 SERIES	QTY
1	Micro Switch	18753-0141	18753-0141	18753-0141	18753-0141	1
2	Pressure Switch	37121-0010	37121-0010	37121-0010	N/A	1
	Low Pressure Switch	44814-1000	44814-1000	N/A	N/A	1
3	Body Kit	30608-1000	30608-1000	30608-1000	30608-1000	1
4	Valve Kit	30613-1001	30613-1001	30613-1001	30613-1001	1
5	Diaphragm Kit	30617-1000	30617-1000	30617-1000	30617-1000	1
6	Plate/Piston Kit	30682-1000	30682-1000	30682-1000	30682-1000	1
7	Motor Kit 12V DC EMC	18753-0575	18753-0577	18753-0572	18753-0577	1
	Motor Kit 12V DC	18753-0444	18753-0463	N/A	18753-0463	1
	Motor Kit 24V DC EMC	18753-0576	18753-0578	18753-0573	18753-0578	1
	Motor Kit 24V DC	18753-0451	18753-0464	N/A	18753-0464	1
Standard Ports Kits	1/2" (13mm) Barb	30654-1000	30654-1000	N/A	N/A	2
	1/2" (13mm) Threaded (QEST)	30649-1000	30649-1000	N/A	N/A	2
	3/4" (19mm) Barb			30653-1000	30653-1000	2
	Pumpgard™ Strainer	46400-0002	46400-0002	46400-0002	46400-0002	1
	Spray Nozzle	N/A	N/A	30703-1000	N/A	1

BILGE/WASHDOWN PUMPS							
KEY	DESCRIPTION	30621 SERIES	30631 SERIES*	30700-00X2 & 30700-00X4	30700-03X2 & 30700-03X4	30705 SERIES	QTY
1	Micro Switch	18753-0141	N/A	18753-0141	18753-0141	N/A	1
2	Pressure Switch	37121-0010	N/A	44050-1000	44050-1000	N/A	1
	Low Pressure Switch	44814-1000	N/A	N/A	N/A	N/A	1
3	Body Kit	30608-1000	30608-1001	30608-1000	30608-1000	30608-1001	1
4	Valve Kit	30613-1001	30613-1001	30613-1001	30613-1001	30613-1001	1
5	Diaphragm Kit	30617-1000	30617-1000	30617-1000	30617-1000	30617-1000	1
6	Plate/Piston Kit	30682-1000	30682-1000	30682-1000	30682-1000	30682-1000	1
7	Motor Kit 12V DC EMC	18753-0577	18753-0579	18753-0579	18753-0579	18753-0579	1
	Motor Kit 12V DC	18753-0463	18753-0489	18753-0489	18753-0489	18753-0489	1
	Motor Kit 24V DC EMC	18753-0578	18753-0595	18753-0595	18753-0595	18753-0595	1
	Motor Kit 24V DC	18753-0464	18753-0490	18753-0490	18753-0490	18753-0490	1
Standard Ports Kits	1/2" (13mm) Barb	30654-1000	N/A		30654-1000	N/A	2
	1/2" (13mm) Threaded (QEST)	30649-1000	N/A		N/A	N/A	2
	3/4" (19mm) Barb	30653-1000	30653-1000	30653-1000		30653-1000	2
	Pumpgard™ Strainer	36400-0000	46200-0000	46400-0000	46400-0002	46200-0000	1
	Spray Nozzle		N/A	30703-1000	30704-1000	N/A	1

\* Pump head rotates 180°



Optional Port Adapters available (2 per kit). Also fit new PAR-Max range.





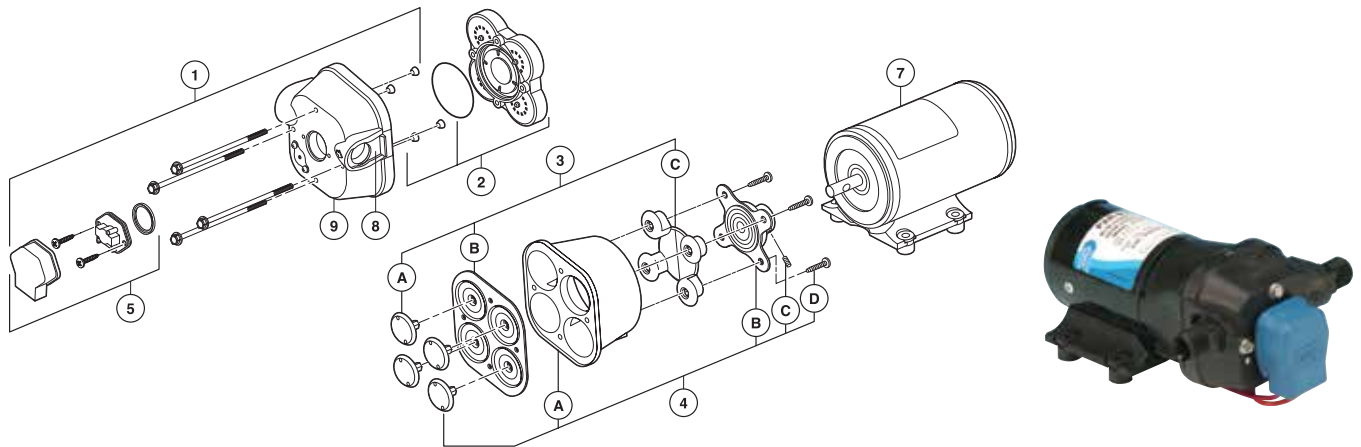
# Service Parts 13

NEW 31XXX SERIES PAR-MAX PUMPS

PAR-MAX 1 AUTOMATIC WATER SYSTEM PUMP & MANUAL DEMAND PUMP								
PUMP SERVICE PARTS				STRAINERS				
DESCRIPTION	MODEL NO.	42630-2900	42631-2900	PUMP SERIES	STRAINER NO.	INLET	OUTLET	SCREEN
Pump Head Repair Kit	42632-0000	•	•	42630-2900	36400-0003	3/8" (10mm) Barb	3/8" (10mm) Barb	40# Mesh
Motor/Housing Kit	42633-0000	•	•	42631-2900	36400-0003	3/8" (10mm) Barb	3/8" (10mm) Barb	40# Mesh
Pressure Switch Assy.	42634-0000	•						

PAR-MAX 2+, PAR-MAX 3 & PAR-MAX 4 WATER SYSTEM PUMPS						
KEY	DESCRIPTION	31595 SERIES	31600 SERIES	31620 SERIES	31630 SERIES	QTY
1	Upper Housing XXXXX-0092	18910-4040	18910-4040	18910-4040	18910-4040	1
	Upper Housing XXXXX-0094	18910-4040	18910-4040	18910-4040	18910-4040	1
	Upper Housing XXXXX-0292	18910-4025	18910-4025	18910-4025	18910-4025	1
	Upper Housing XXXXX-0294	18910-4025	18910-4025	18910-4025	18910-4025	1
2	Valve Kit	18911-7030	18911-7030	18911-7030	18911-7030	1
3	Diaphragm Kit	18912-3040	18912-3040	18912-3040	18912-3040	1
4	Lower Housing Kit	18915-9000	18915-9002	18915-9002	18915-9002	1
5	Pressure Switch XXXXX-0092	37121-0010	37121-0010	37121-0010	37121-0010	1
	Pressure Switch XXXXX-0094	37121-0010	37121-0010	37121-0010	37121-0010	1
	Pressure Switch XXXXX-0292	44814-1000	44814-1000	44814-1000	44814-1000	1
	Pressure Switch XXXXX-0294	44814-1000	44814-1000	44814-1000	44814-1000	1
6	Service Kit*	18920-9042	18920-9043	18920-9043	18920-9043	1
7	Motor Kit 12V DC, EMC Comp	18919-0134	18919-0131	18919-0132	18919-0133	1
	Motor Kit 24V DC, EMC Comp	18919-1055	18919-1052	18919-1053	N/A	1
8	Slide Clips	30648-1000	30648-1000	30648-1000	30648-1000	1
9	Pump Head Assy. XXXXX-0092	18914-6240	18914-6340	18914-6340	18914-6340	1
	Pump Head Assy. XXXXX-0094	18914-6240	18914-6340	18914-6340	18914-6340	1
	Pump Head Assy. XXXXX-0292	18914-6225	18914-6325	18914-6325	18914-6325	1
	Pump Head Assy. XXXXX-0294	18914-6225	18914-6325	18914-6325	18914-6325	1
	Pumpgard™ Strainer w/ Support	–	–	–	36400-9000	1

\* Service Kit includes Keys 2; 3; 4B, C and D; and 8.



Old 30XXX & New 31XXX Series PAR-Max Pumps

# 13 Service Parts

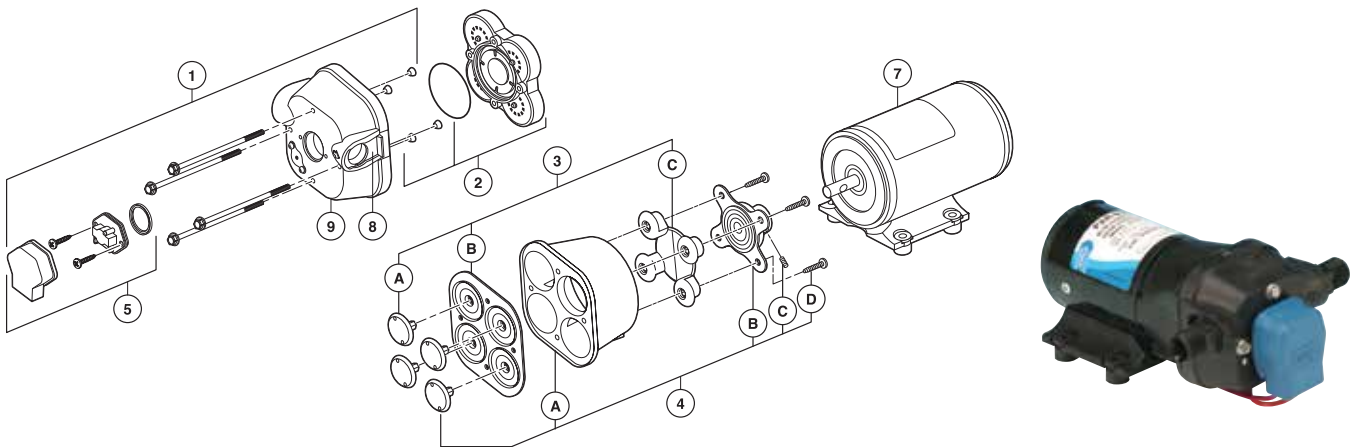
NEW 31XXX SERIES PAR-MAX PUMPS



PAR-MAX 3 & PAR-MAX 4 WASHDOWN/BAITWELL & SHOWER DRAIN/GENERAL PURPOSE PUMPS							
KEY	DESCRIPTION	31605 SERIES	31610 SERIES	31631 SERIES**	31705 SERIES	31700 SERIES	QTY
1	Upper Housing	18910-4050	18910-4000	18910-4000	18910-4000	18910-4050	1
2	Valve Kit	18911-7030	18911-7010	18911-7010	18911-7010	18911-7030	1
3	Diaphragm Kit	18912-3040	18912-3050	18912-3050	18912-3050	18912-3040	1
4	Lower Housing Kit	18915-9002	18915-9005	18915-9005	18915-9005	18915-9002	1
5	Pressure Switch	44050-1000	N/A	N/A	N/A	44050-1000	1
6	Service Kit*	18920-9043	18920-9053	18920-9053	18920-9053	18920-9043	1
7	Motor Kit 12V DC, EMC Comp	18919-0139	18919-0139	18919-0140	18919-0140	18919-0140	1
	Motor Kit 24V DC, EMC Comp	18919-1061	18919-1061	18919-1062	18919-1062	18919-1062	1
8	Slide Clips	30648-1000	30648-1000	30648-1000	30648-1000	30648-1000	1
9	Pump Head Assembly	18914-6350	18914-6300	18914-6300	18914-6300	18914-6350	1
	Pumpgard™ Strainer US	46400-0000	46400-0000	46400-0000	46400-0000	46400-0000	1
	Pumpgard™ Strainer EC	46400-0002	46400-0002	46400-0002	46400-0002	46400-0002	1
	Spray Nozzle US	30703-1000	–	–	–	30703-1000	1
	Spray Nozzle EC	30704-1000	–	–	–	30704-1000	1

\* Service Kit includes Keys 2; 3; 4B, C and D; and 8.

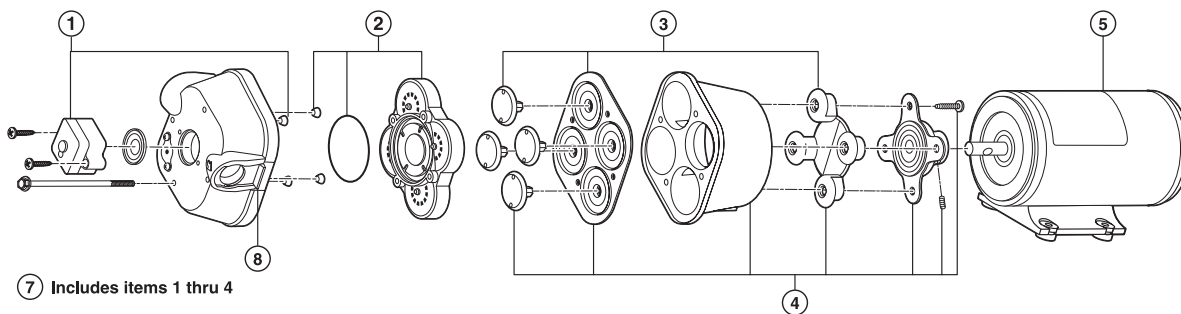
\*\* Pump head rotates 180°



# Service Parts 13

SENSOR MAX™ VSD & DUAL MAX PUMPS

SENSOR MAX™ VSD			
KEY	DESCRIPTION	31750	31755
2	Check Valve Assembly	18911-7030	18911-7030
3	Diaphragm Assembly (includes screws)	18912-3040	18912-3040
4	Lower Housing Assembly	18915-9002	18915-9002
9	Pumpgard™	46400-9500	46400-9500



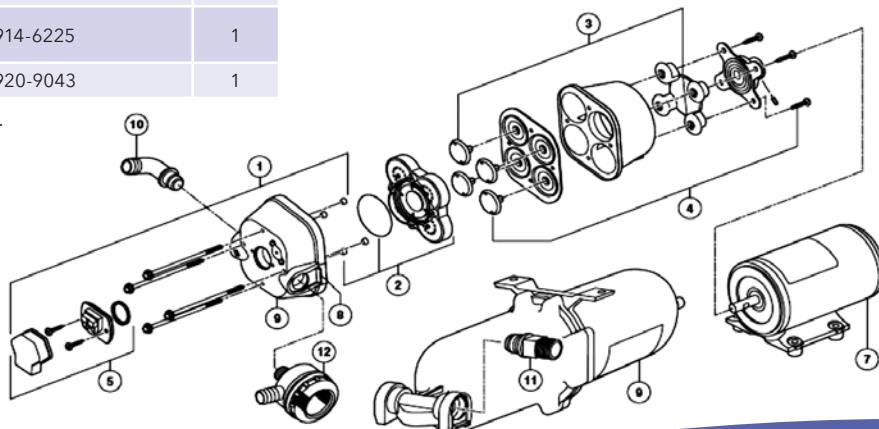
DUAL MAX 31670-0092 (12V) & 31670-0094 (24V)			
KEY	DESCRIPTION	MODEL NUMBER	QTY
1	Upper Housing, 40 psi	18910-4040	1
	Lower Housing, 25 psi	18753-0724	1
2	Valve Kit	18911-7030	*
3	Diaphragm Kit	18912-3040	*
4	Lower Housing Kit	18915-9002	*
5	Pressure Switch - Upper Pump, 40 psi	18916-0040	1
	Pressure Switch - Lower Pump, 25 psi	18916-0025	1
7	Motor Kit - Upper and Lower Pump	18753-0721	2
8	Slide Clips	18753-0722	*
9	Accumulator	30573-0000	1
10	Port Kit, 3/4" (19mm) Elbow	30642-1000	4
11	Port Kit, 1/2" (13mm) NPT(M)	30649-1000	2
12	Strainer	18753-0723	2
	Pumphead Complete - Upper Pump, 40 psi	18914-6340	1
	Pumphead Complete - Lower Pump, 25 psi	18914-6225	1
	Service Kit	18920-9043	1



**NOTE**

When replacing upper pump, it is necessary to remove body, rotate 180° and reassemble. Then remove pressure switch body, rotate 180° and reassemble.

\* Service Kit includes Keys 2, 3, 4 and 8.

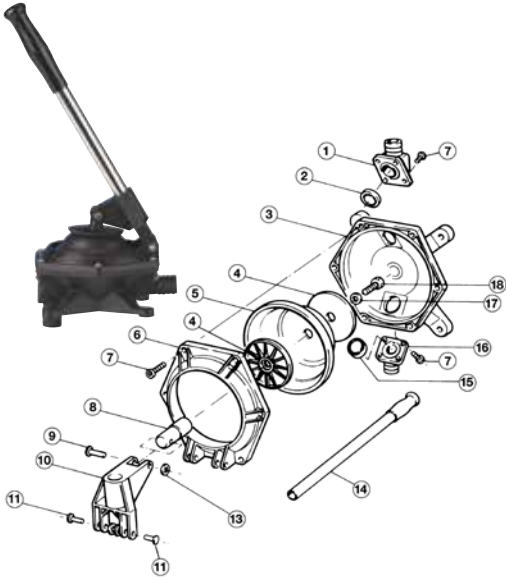


# 13 Service Parts

AMAZON MANUAL DIAPHRAGM PUMPS



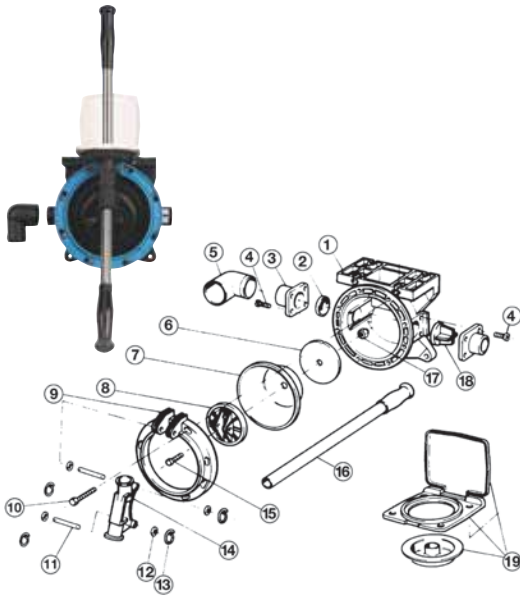
REPAIR KITS AVAILABLE			29240-0000 BULKHEAD						
KIT	MODEL NUMBER	DESCRIPTION	KEY	DESCRIPTION	QTY PER PUMP	MODEL NUMBER	QTY PER REPAIR KIT		
A	B	C					A	B	C
A	29246-1000	Major Service Kit	1	Outlet Port	1			1	
B	29241-1000	Ports Kit	2	Outlet Valve	1		1	1	
C	29243-1000	Clamp Ring & Rocker Kit	3	Body	1	29242-1000			
			4	Diaphragm Plate	2				2
			5	Diaphragm	1		1		
			6	Clamp Ring	1				1
			7	Screw	14		2	2	3
			8	Connecting Rod	1				1
			9	Clevis Pin (long)	1				1
			10	Rocker	1				1
			11	Clevis Pin (short)	1				1
			13	Washer	1				1
			14	Handle	1	29267-1000			
			15	Inlet Valve	1		1	1	
			16	Inlet Port	1			1	
			17	Washer	1		1		1
			18	Bolt	1				1



REPAIR KITS AVAILABLE			29250 SERIES THRUDECK							
KIT	MODEL NUMBER	DESCRIPTION	KEY	DESCRIPTION	QTY PER PUMP	MODEL NUMBER	QTY PER REPAIR KIT			
A	B	C					D			
A	29256-1000	Major Service Kit	1	Through Deck Kit	1	29279-0000				
B	29241-1000	Ports Kit 1" (25mm)	2	Screw	4					
	29241-1010	Ports Kit 1-1/2" (38mm)	3	Rocker	1					1
C	29252-1000	Clamp Ring Assembly	4	Ring Clip	6			2	4	
			5	Washer	4					4
D	29254-1000	Rocker Assembly	6	Clevis Pin (long)	2					2
			7	Handle	1	29267-1000				
			8	Screw	8		2	2		
			9	Outlet Port	1			1		
			10	Flap Valve	2		2	2		
			11	Lower Body	1					
			12	Inlet Port	1			1		
			13	Nyloc Nut	1		1			1
			14	Diaphragm Plate (lower)	1					1
			15	Diaphragm	1		1			
			16	Diaphragm Plate (upper)	1					1
			17	Bolt	1					1
			18	Screw	1		1		1	
			19	Diaphragm Clamp Ring	2				2	
			20	Clevis Pin (short)	1					1
			21	Washer	2				2	
			22	Nut	1					1
			23	Upper Body	1					
			24	O-Ring	1		1			1

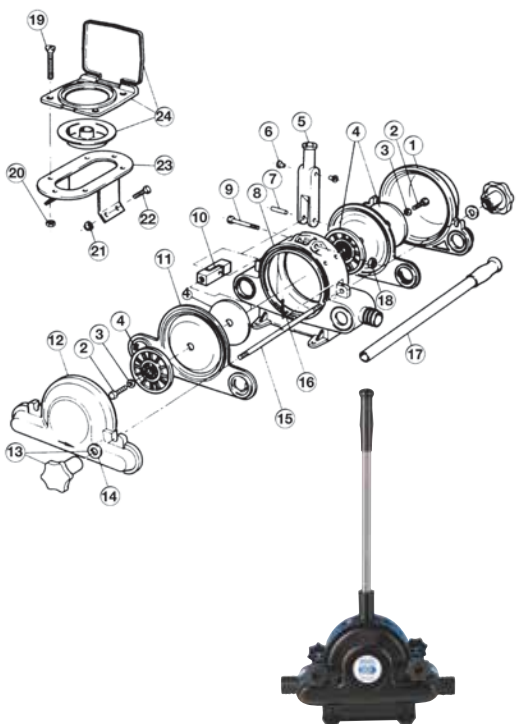


REPAIR KITS AVAILABLE		
KIT	MODEL NUMBER	DESCRIPTION
A	29276-1000	Major Service Kit
B	29275-1000	Ports Kit
C	29272-1000	Clamp Ring & Rocker Kit



29270-0000 UNIVERSAL						
KEY	DESCRIPTION	QTY PER PUMP	MODEL NUMBER	QTY PER REPAIR KIT		
				A	B	C
1	Body	1	29271-1000			
2	Inlet Valve	1		1	1	
3	Port	2			2	
4	Screw	8		3	2	
5	Push Fit Elbow	1	29266-1000			
6	Diaphragm Plate (inner)	1				1
7	Diaphragm	1		1		
8	Diaphragm Plate (outer)	1				1
9	Clamp Ring	1				1
10	Screw	8		3		3
11	Pivot Pin	2				1
12	Washer	4		1		2
13	Ring Clip	4		1		2
14	Rocker	1				1
15	Bolt	1				1
16	Handle	1	29267-1000			
17	Nyloc Nut	1		1		1
18	Outlet Valve	1		1	1	
<b>Optional Extras Available</b>						
19	Through Deck Kit		29279-0000			

REPAIR KITS AVAILABLE		
KIT	MODEL NUMBER	DESCRIPTION
A	29286-1000	Major Service Kit
B	29283-1000	Body Kit
C	29284-1000	Rocker Kit



29280-0000 WARRIOR						
KEY	DESCRIPTION	QTY PER PUMP	MODEL NUMBER	QTY PER REPAIR KIT		
				A	B	C
1	Left Hand Cover Plate	1	29281-1000			
2	Bolt (Diaphragm Plate)	2				2
3	Washer	2		1		2
4	Diaphragm Plate	4				4
5	Rocker Arm	1				1
6	Bushing					2
7	Pivot Pin	1				1
8	Body	1			1	
9	Bolt (Rocker Assembly)	1				1
10	Connecting Rod	1				1
11	Diaphragm	2		2		
12	Right Hand Cover Plate	1	29282-1000			
13	Knob & Washer Assembly	4	29288-1000			
14	Washer (Stud)	4		2		
15	Long Stud	2			2	
16	Roll Pin	2			2	
17	Handle	1	29287-1000			
18	Nut (Rocker Assembly)	1				1
<b>Optional Extras Available</b>						
19	Screw	6				
20	Nut	6				
21	Nut	4	29289-0000			
22	Bolt	4				
23	Underdeck Bracket	1				
24	Through Deck Kit	1	29279-0000			

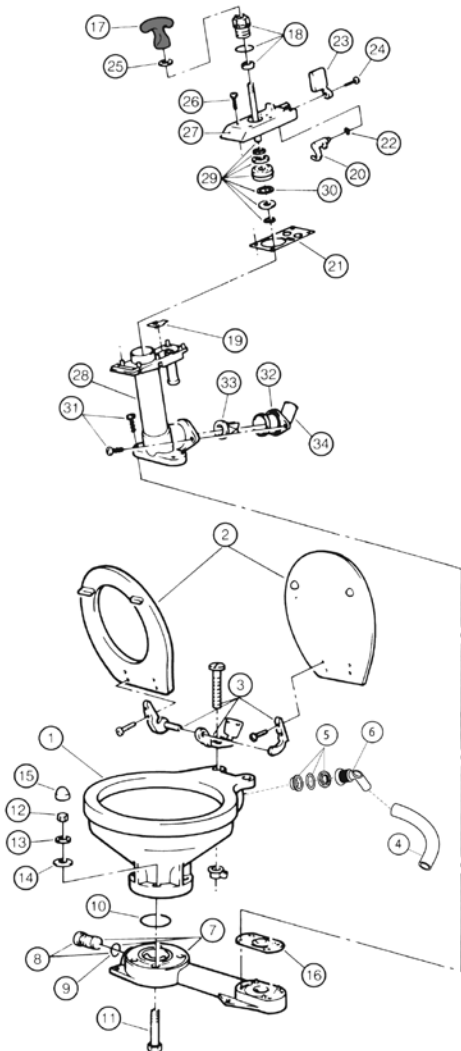
# 13 Service Parts

PAR MANUAL TOILETS UP TO 1997



## 29090 & 29120 SERIES PAR MANUAL TOILETS (UP TO 1997)

REPAIR KITS AVAILABLE		
KIT	MODEL NUMBER	DESCRIPTION
A	29045-0000	Major Service Kit
B	29040-3000	Pump Assembly
C	29094-2000	Valve Cover Assembly
D	29051-2000	Pump Cylinder Assembly
E	29047-0000	Base to Bowl Mounting Kit



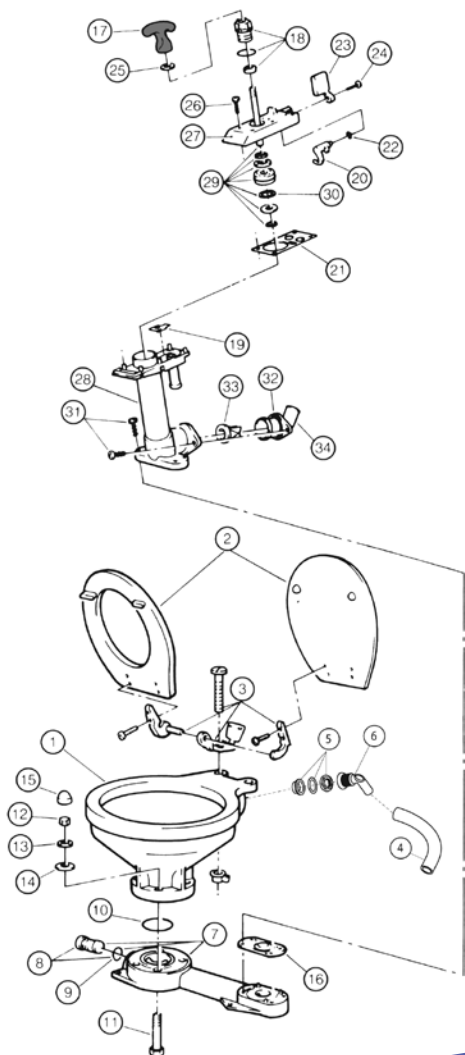
KEY	DESCRIPTION	QTY PER TOILET	MODEL NUMBER	QTY PER REPAIR KIT				
				A	B	C	D	E
1	Bowl, Compact Toilet	1	29096-0000					
	Bowl, Regular Toilet	1	29126-0000					
2	Seat, Lid & Hinge Set							
	Compact Toilet	1	29097-1000					
	Regular Toilet		29127-1000					
3	Hinge Set (1 pair)							
	Compact Toilet	1	29098-1000					
	Regular Toilet		29098-2000					
4	Hose, Compact Toilet	1	29035-1000					
	Hose, Regular Toilet	1	29035-1001					
5	Intake Seal +	1	58107-1000					
6	Intake Elbow							
7	Base, Plug & O-Ring Assy.	1	29041-1000					
8	Plug & O-Ring Assy.	1						
9	O-Ring (Plug)	1						
10	O-Ring (Bowl)	1						1
11	Bolt	4						4
12	Nut	4						4
13	Washer (stainless steel)	4						4
14	Washer (nylon)	4						4
15	Cap	4		2				4
16	Base Valve Gasket	1	29043-0000	1	1		1	
17	Handle	1			1	1		
18	Seal Assembly	1	29044-0000	1	1	1		
19	Top Valve Seat	1		1	1	1	1	
20	Cam				1	1		
21	Top Valve Gasket	1	29042-0000	1	1			
22	O-Ring (Flush Lever)	1		1	1	1		
23	Flush Control Lever	1			1	1		
24	Screw (Flush Lever)	1		1	1	1		
25	Buffer				1	1		
26	Screw (Valve Cover)	6		1	6	6	1	
27	Valve Cover	1			1	1		
28	Pump Cylinder	1			1		1	
29	Piston, Rod & O-Ring Assy.	1	29046-3000		1			
30	O-Ring (Piston)	1		1	1			
31	Screw (Pump Cylinder)	6		1	3		3	
32	Discharge Flange	1	29091-1000		1		1	
33	Joker Valve	1	29092-1000	1	1		1	
34	Discharge Elbow	1	29029-1000		1		1	

# Service Parts 13

JABSCO MANUAL TOILETS 1998 TO 2007

## 29090-2 & 29120-2 SERIES JABSCO MANUAL TOILETS (1998 TO 2007)

REPAIR KITS AVAILABLE		
KIT	MODEL NUMBER	DESCRIPTION
<b>A</b>	29045-2000	Major Service Kit
<b>B</b>	29040-3000	Pump Assembly
<b>C</b>	29094-2000	Valve Cover Assembly
<b>D</b>	29051-2000	Pump Cylinder Assembly
<b>E</b>	29047-0000	Base to Bowl Mounting Kit



KEY	DESCRIPTION	QTY PER TOILET	MODEL NUMBER	QTY PER REPAIR KIT				
				A	B	C	D	E
<b>1</b>	Bowl, Compact Toilet	1	29096-0000					
	Bowl, Regular Toilet	1	29126-0000					
<b>2</b>	Seat, Lid & Hinge Set Compact Toilet	1	29097-1000					
	Regular Toilet		29127-1000					
<b>3</b>	Hinge Set (1 pair) Compact Toilet	1	29098-1000					
	Regular Toilet		29098-2000					
<b>4</b>	Hose, Compact Toilet	1	29035-1000					
	Hose, Regular Toilet	1	29035-1001					
<b>5</b>	Intake Seal +	1	58107-1000					
<b>6</b>	Intake Elbow							
<b>7</b>	Base, Plug & O-Ring Assy.	1	29041-1000					
<b>8</b>	Plug & O-Ring Assy. Up to 2002 - Screw	1	29028-2000					
	From 2003 - Bayonet							
<b>9</b>	O-Ring (Plug)	1						
<b>10</b>	O-Ring (Bowl)	1						1
<b>11</b>	Bolt	4						4
<b>12</b>	Nut	4						4
<b>13</b>	Washer (stainless steel)	4						4
<b>14</b>	Washer (nylon)	4						4
<b>15</b>	Cap	4		2				4
<b>16</b>	Base Valve Gasket	1	29043-0000	1	1		1	
<b>17</b>	Handle	1			1	1		
<b>18</b>	Seal Assembly	1	29044-2000	1	1	1		
<b>19</b>	Top Valve Seat	1		1	1	1	1	
<b>20</b>	Cam	1			1	1		
<b>21</b>	Top Valve Gasket	1	29042-0000	1	1			
<b>22</b>	O-Ring (Flush Lever)	1		1	1	1		
<b>23</b>	Flush Control Lever	1			1	1		
<b>24</b>	Screw (Flush Lever)	1		1	1	1		
<b>25</b>	Buffer	1		1	1			
<b>26</b>	Screw (Valve Cover)	6		1	6	6	1	
<b>27</b>	Valve Cover	1			1	1		
<b>28</b>	Pump Cylinder	1			1		1	
<b>29</b>	Piston, Rod & O-Ring Assy.	1	29046-3000		1			
<b>30</b>	O-Ring (Piston)	1		1	1			
<b>31</b>	Screw (Pump Cylinder)	6		1	3		3	
<b>32</b>	Discharge Flange	1	29091-1000		1		1	
<b>33</b>	Joker Valve	1	29092-1000	1	1		1	
<b>34</b>	Discharge Elbow	1	29029-1000		1		1	
<b>35</b>	Valve Spring	1		1	1	1	1	

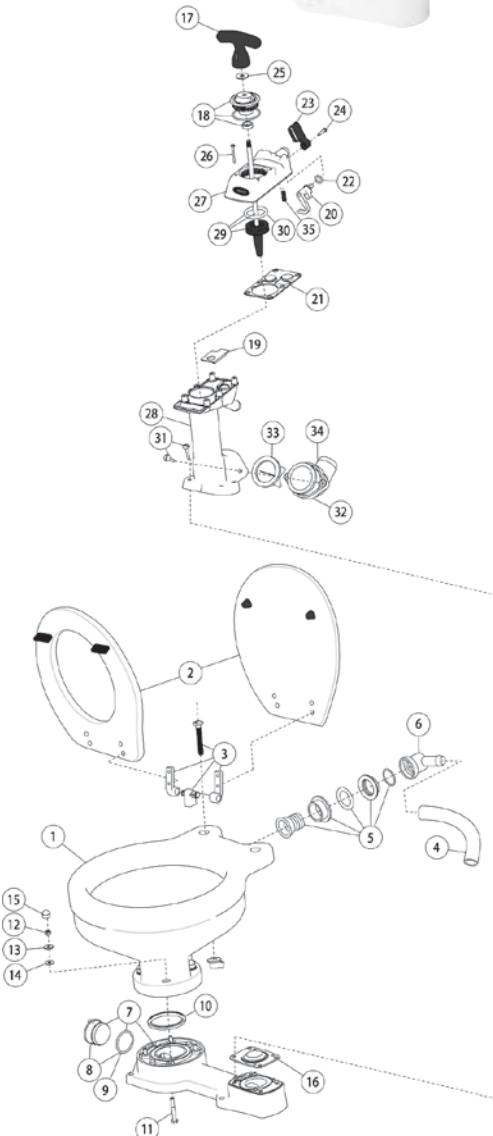
# 13 Service Parts

JABSCO MANUAL TOILETS 2008 ONWARD



## 29090-3 & 29120-3 SERIES JABSCO TWIST 'N' LOCK MANUAL TOILETS (2008 ONWARD)

REPAIR KITS AVAILABLE		
KIT	MODEL NUMBER	DESCRIPTION
A	29045-3000	Service Kit (from 2008)
B	29040-3000	Pump Assembly
C	29094-3000	Valve Cover Assembly
D	29051-2000	Pump Cylinder Assembly
E	29047-0000	Base to Bowl Mounting Kit



KEY	DESCRIPTION	QTY PER TOILET	MODEL NUMBER	QTY PER REPAIR KIT				
				A	B	C	D	E
1	Bowl, Compact Toilet	1	29096-0000					
	Bowl, Regular Toilet	1	29126-0000					
2	Seat, Lid & Hinge Set Compact Toilet	1	29097-1000					
	Regular Toilet		29127-1000					
3	Hinge Set (1 pair) Compact Toilet	1	29098-1000					
	Regular Toilet		29098-2000					
4	Hose, Compact Toilet	1	29035-1000					
	Hose, Regular Toilet	1	29035-1001					
5	Intake Seal +	1	58107-1000					
6	Intake Elbow							
7	Base, Plug & O-Ring Assy.	1	29041-1000					
8	Plug & O-Ring Assy. (from 2003 - Bayonet)	1	29028-2000					
9	O-Ring (Plug)	1						
10	O-Ring (Bowl)	1						1
11	Bolt (stainless steel)	4						4
12	Nut (stainless steel)	4						4
13	Washer (stainless steel)	4						4
14	Washer (nylon)	4						4
15	Cap	4		2				4
16	Base Valve Gasket	1	29043-0000	1	1		1	
17	Handle	1			1	1		
18	Seal Housing Assembly (from 2008)	1	29044-3000	1	1	1		
19	Top Valve Seat	1		1	1	1	1	
20	Cam	1			1	1		
21	Top Valve Gasket	1	29042-0000	1	1			
22	O-Ring (Flush Lever)	1		1	1	1		
23	Flush Control Lever	1			1	1		
24	Screw (Flush Lever)	1		1	1	1		
25	Buffer	1		1	1			
26	Screw (Valve Cover)	6		1	6	6	1	
27	Valve Cover	1			1	1		
28	Pump Cylinder	1			1		1	
29	Piston, Rod & O-Ring Assy.	1	29046-3000		1			
30	O-Ring (Piston)	1		1	1			
31	Screw (Pump Cylinder)	6		1	3		3	
32	Discharge Flange	1	29091-1000		1		1	
33	Joker Valve	1	29092-1000	1	1		1	
34	Discharge Elbow	1	29029-1000		1		1	
35	Valve Spring (only from 1998)	1		1	1	1	1	



# Service Parts 13

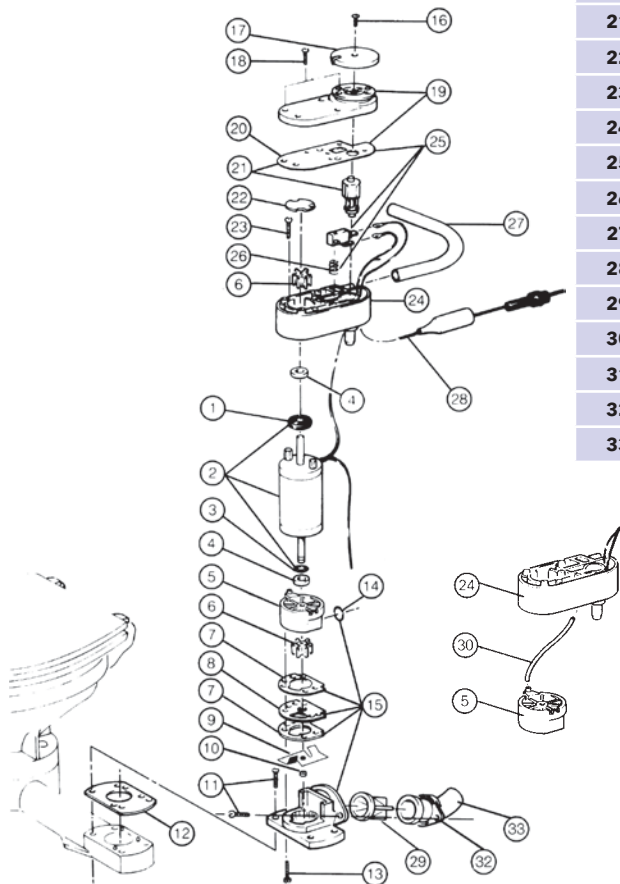
ELECTRIC CONVERSION FOR MANUAL TOILETS

## 29200 SERIES ELECTRIC CONVERSION FOR MANUAL TOILETS

REPAIR KITS AVAILABLE		
KIT	MODEL NUMBER	DESCRIPTION
<b>A</b>	29101-0000	Service Kit
<b>B</b>	29109-0000	Hardware Kit
<b>C</b>	29116-1000	Waste & Flush Pump Bodies



KEY	DESCRIPTION	QTY PER CONVERSION	MODEL NUMBER	QTY PER REPAIR KIT		
				A	B	C
1	Slinger (large)	1				
2	Motor Assembly 12V	1	29108-0120			
	Motor Assembly 24V	1	29108-0240			
3	Slinger (small)	1		1		
4	Seal	2		2		2
5	Waste Pump Body	1				1
6	Impeller	2		2		
7	Gasket (paper)	2		2	2	2
8	Wearplate (stainless steel)	1			1	
9	Chopper Plate	1	37056-1000			
10	Lock Nut					
11	Mounting Screw (PAR)			1		1
12	Base Gasket (rubber)	1	29072-1000			
13	Screw (Waste Pump)	4			4	
14	O-Ring	1		1		1
15	Macerator Housing	1	29071-1000			
16	Screw (Control Knob)	1		1	1	1
17	Control Knob	1	29077-1000			
18	Screw (Flush Pump Cover)	7		1	7	1
19	Flush Pump Cover Assy.	1	29081-1000			
20	Flush Pump Gasket (Cork)	1	29075-1000	1		1
21	Control Valve Assembly	1	29083-1000			
22	Wearplate (brass)	1			1	
23	Screw (Flush Pump)	2		1	2	1
24	Flush Pump Body	1				1
25	Switch Assembly	1	29103-1000	1		
26	Switch Spring	1				1
27	Hose (all toilets)	1	29035-1000			
28	Cable Assy. (without fuse)	1	29106-1000			
29	Joker Valve	1	29092-1000			
30	Bleed Hose	1	29019-1010	1		1
31	Pumpgard™	1	46400-0000			
32	Discharge Flange	1	29091-1000			
33	Discharge Elbow	1	29029-1000			



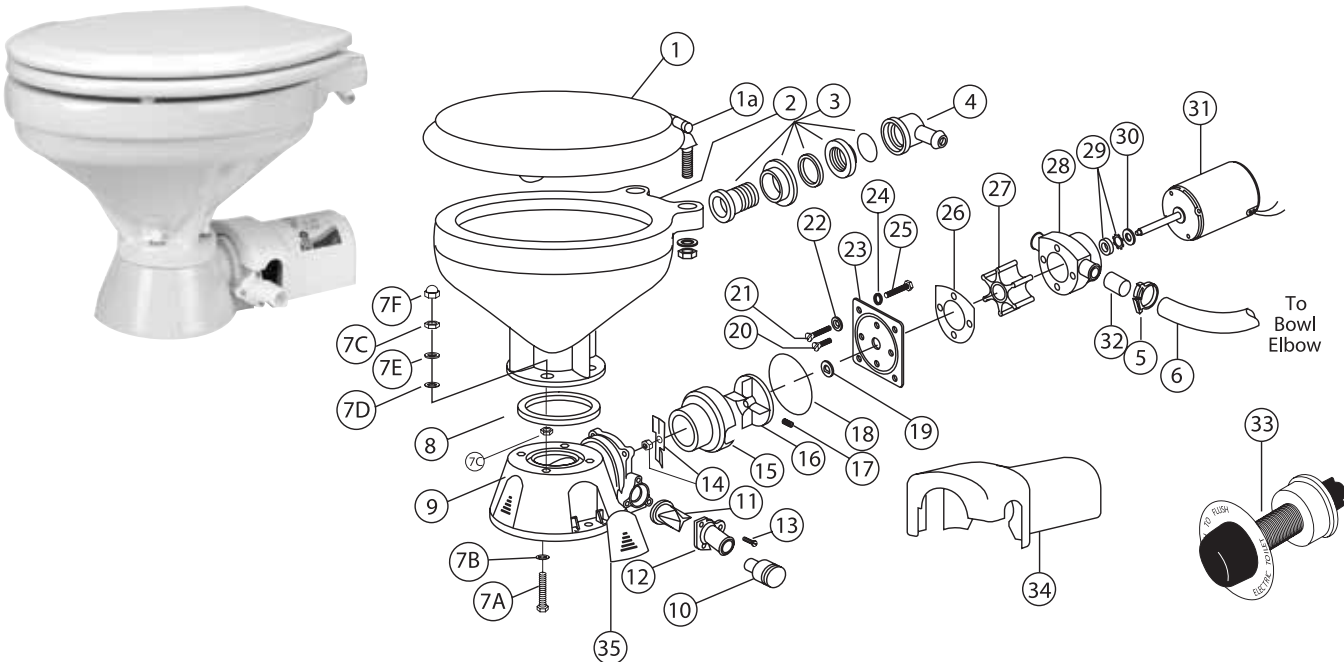
# 13 Service Parts

ELECTRIC TOILETS



37010 SERIES ELECTRIC TOILETS							
KEY	DESCRIPTION	MODEL NUMBER	QTY PER TOILET	KEY	DESCRIPTION	MODEL NUMBER	QTY PER TOILET
<b>1</b>	Seat & Cover, Compact	29097-1000	1	<b>17</b>	Set Screw	91084-0320	† 1
	Seat & Cover, Regular	29127-1000	1	<b>18</b>	O-Ring	43990-0066	* † 1
<b>1A</b>	Hinge Set (1 pair)		1	<b>19</b>	Sealing Sleeve	37036-1000	† 1
	Compact Toilet	29098-1000		<b>20</b>	Screw	91009-0096	† 2
	Regular Toilet	29098-2000		<b>21</b>	Screw	91010-0130	† 2
<b>2</b>	Bowl, Compact Toilet	29096-0000	1	<b>22</b>	Washer, Plastic		* † 2
	Bowl, Regular Toilet	29126-0000	1	<b>23</b>	Wearplate ‡	37018-0000	† 1
<b>3 &amp; 4</b>	Bowl Spud, Intake Elbow and O-Ring	58107-1000	1	<b>24</b>	Lock Washer #10, Stainless Kit		† 4
<b>5</b>	Hose Clip		1	<b>25</b>	Screw	91027-0011	† 4
<b>6</b>	Hose	29035-1001	1	<b>26</b>	Gasket	12558-0000	* † 1
<b>7</b>	Bowl Installation Hardware	18753-0637	1	<b>27</b>	Flexible Impeller	6303-0003	* † 1
<b>7A</b>	Phillips Head Screw**		4	<b>28</b>	Body	12554-0000	† 1
<b>7B</b>	Washer, Starlock**		4	<b>29</b>	Seal and Retainer	1040-0000	* † 1
<b>7C</b>	Hex Nut (two places)**		4	<b>30</b>	Slinger	6342-0000	† 1
<b>7D</b>	Washer, Plastic**		4	<b>31</b>	Motor 12V	37064-0000	† 1
<b>7E</b>	Washer, Stainless Steel**		8		Motor 24V	37065-0000	† 1
<b>7F</b>	Nut Cap**		4	<b>32</b>	Adapter	93003-0240	2
<b>8</b>	O-Ring Bowl/Seal	44101-1000	1	<b>33</b>	Switch and Plate	37020-0000	1
<b>9</b>	Base Assembly**	37004-1000	1	<b>34</b>	Motor Cover	43990-0051	1
<b>10</b>	1" to 1-1/2" (25 to 38mm) Hose Adapter	98023-0080	1	<b>35</b>	Screw Cover (3 each)	37003-1000	1
<b>11</b>	Joker Valve**	44106-1000	* 1		Service Kit	37040-0000	
<b>12</b>	1" (25mm) Discharge Port**	44107-1000	1		Motor/Pump Assy. 12V	37041-0010	†
<b>13</b>	Screw**	96050-0568	3		Motor/Pump Assy. 24V	37041-0011	†
<b>14</b>	Chopper Plate with Lock Nut	37056-1000	† 1				
<b>15</b>	Macerator Housing	37014-0000	† 1				
<b>16</b>	Centrifugal Impeller	37006-0000	† 1				

\* Parts supplied with Service Kit 37040-0000.  
 \*\* Parts included with base 37004-1000.  
 ‡ Wearplate #23 includes Sealing Sleeve #19 and Pump/Base O-Ring #18.  
 † Parts included in Motor/Pump Assembly.



37045 & 37245 SERIES QUIET FLUSH TOILETS

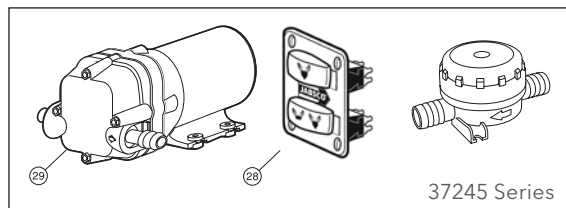
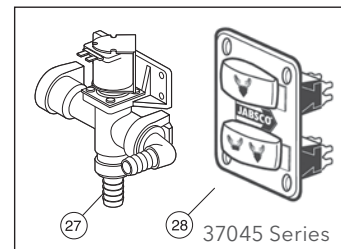
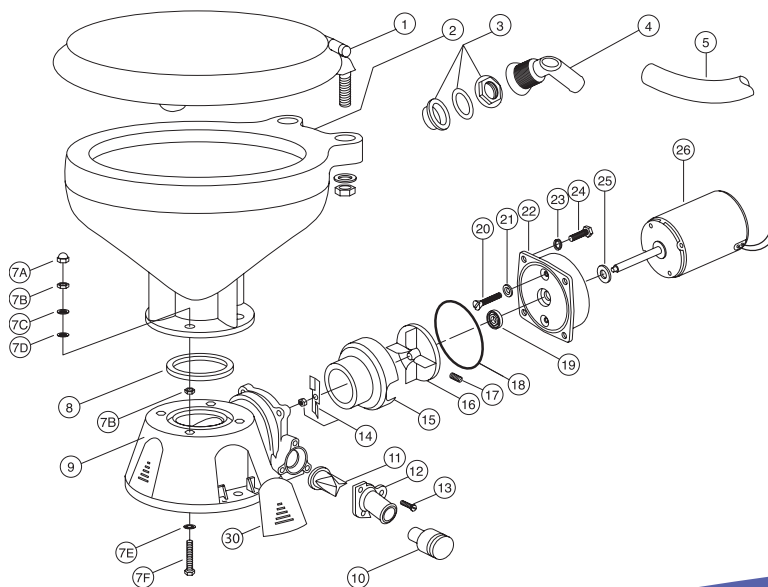
KEY	DESCRIPTION	MODEL NUMBER	QTY PER TOILET
1	Seat & Cover, Compact	29097-1000	1
	Seat & Cover, Regular	29127-1000	1
1A	Hinge Set (1 pair)		1
	Compact Toilet	29098-1000	
	Regular Toilet	29098-2000	
2	Bowl, Compact Toilet	29096-0000	1
	Bowl, Regular Toilet	29126-0000	1
3	Intake Seal	58107-1000	1
4	Intake Elbow and O-Ring	58107-1000	1
5	Hose, 6' (1.8m)	29035-1031	1
6	Motor Cover	37042-1000	1
7	Bowl Installation Hardware	18753-0637	1
7A	Nut Cap**		4
7B	Hex Nut**		4
7C	Washer, Stainless Steel**		4
7D	Washer, Plastic**		4
7E	Hex Head Screw**		4
8	O-Ring	44101-1000	* 1
9	Base Assembly**	37004-1000	1
10	1" to 1/2" (25 to 13mm) Hose Adapter	98023-0080	1
11	Joker Valve**	44106-1000	* 1
12	1" to 1-1/2" (25 to 38mm) Hose Adapter	44107-1000	1
13	Screw**	96050-0568	3
14	Chopper Plate with Lock Nut	37056-1000	† 1
15	Macerator Housing	37014-0000	† 1
16	Centrifugal Impeller	37006-0000	† 1
17	Set Screw	91084-0320	† 1
18	O-Ring	43990-0066	* † 1
19	Seal	1040-0000	† 1

KEY	DESCRIPTION	MODEL NUMBER	QTY PER TOILET
20	Screw		† 2
21	Washer, Plastic	35445-0000	* † 2
22	Seal Housing	37043-1000	† 1
23	Lock Washer, Stainless Steel		† 4
24	Screw	91027-0011	† 4
25	Slinger	6342-0000	† 1
26	Motor 12V	18753-0554	† 1
	Motor 24V	18753-0555	1
27	Solenoid Valve and Siphon Breaker 12V	37038-1012	1
	Solenoid Valve and Siphon Breaker 24V	37038-1024	1
28	Switch Panel	37047-2000	1
29	Rinse Pump 12V	31631-0092	1
	Rinse Pump 24V	31631-0094	1
30	Screw Cover (3 each)	37003-1000	1
31	Pumpgard™	46400-0000	1
	Service Kit	90197-0000	
	Motor & Waste Pump Assembly 12V	37072-0092	1
	Motor & Waste Pump Assembly 24V	37072-0094	1

\* Parts supplied with Service Kit.  
 \*\* Parts included with base 37004-1000.  
 † Parts supplied with Motor & Waste Pump Assembly.



37045 Exploded View



See page 242 for pump exploded view.

# 13 Service Parts

ELECTRIC TOILETS

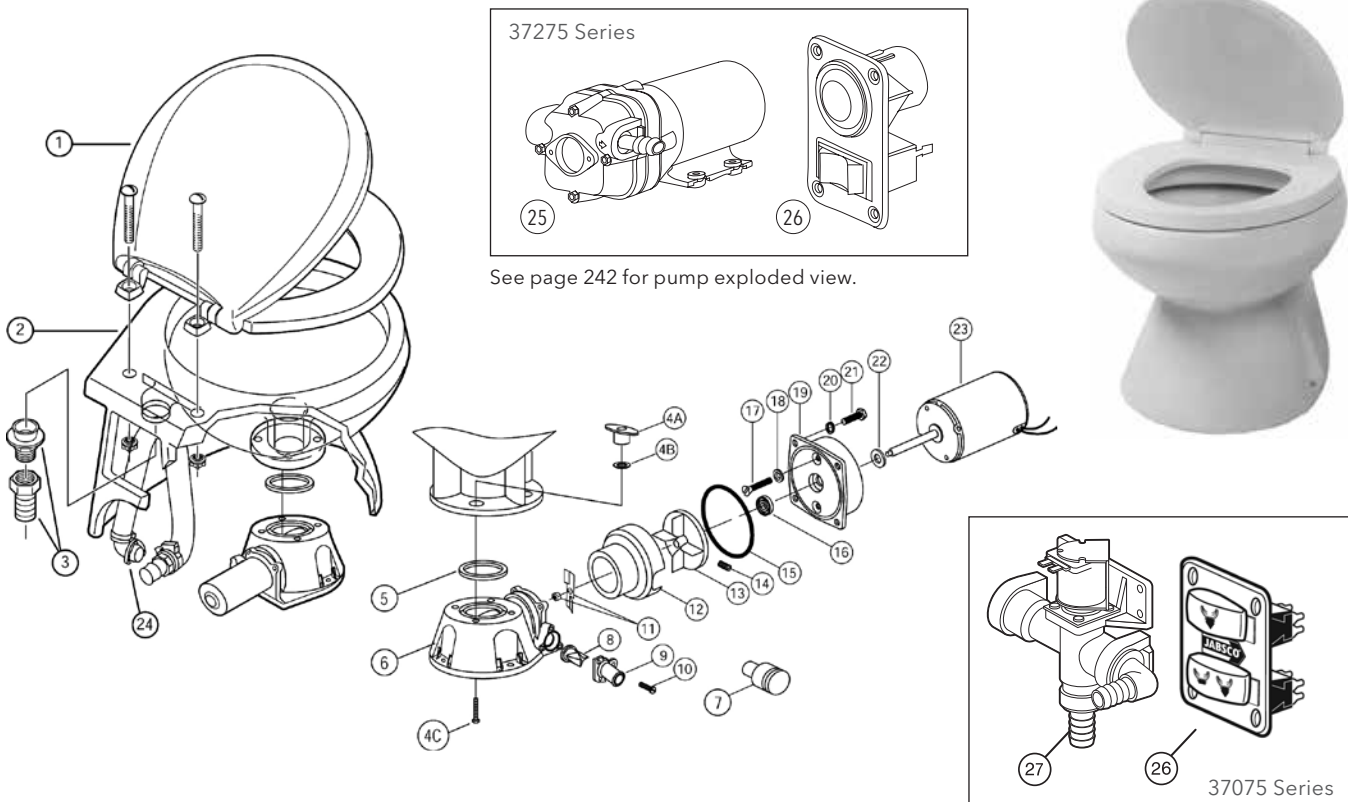


## 37275 & 37075 SERIES DESIGNER STYLE ELECTRIC TOILETS (DISCONTINUED)

KEY	DESCRIPTION	MODEL NUMBER	QTY PER TOILET	KEY	DESCRIPTION	MODEL NUMBER	QTY PER TOILET
1	Seat & Cover	37078-1000	1	19	Seal Housing	37043-1000	1
2	Bowl, Compact Size, White	37076-0010	1	20	Lock Washer #10, Stainless Steel		4
3	Bowl Spud & Barbed Adapter	18753-0609	1	21	Screw	91027-0011	4
4	Bowl Installation Hardware	18753-0604	1	22	Slinger	6342-0000	1
4A	Tee Nut**		4	23	Motor 12V	18753-0554	1
4B	Washer, Plastic**		4		Motor 24V	18753-0555	1
4C	Socket Head Screw**		4	24	Evacuation Hose Kit	37087-0000	1
5	Gasket	37017-0000	*	25	Rinse Pump 12V EMC	31631-0092	1
6	Base Assembly**	37004-1000	1		Rinse Pump 24V EMC	31631-0094	1
7	1" to 1-1/2" (25 to 38mm) Hose Adapter	98023-0080	1	26	Switch Panel	37047-2000	1
8	Joker Valve**	44016-1000	*		Service Kit	90197-0000	1
9	1" (25mm) Discharge Port**	37077-1000	1		Motor & Waste Pump Assembly 12V	37072-0092	1
10	Screw**	96050-0568	3		Motor & Waste Pump Assembly 24V	37072-0094	1
11	Chopper Plate with Lock Nut	37056-1000	1	27	Solenoid Valve & Siphon Breaker 12V	37038-1012	1
12	Macerator Housing	37014-0000	1		Solenoid Valve & Siphon Breaker 24V	37038-1024	1
13	Centrifugal Impeller	37006-0000	1		Pumpgard™	46400-0000	1
14	Set Screw	91084-0320	1				
15	O-Ring	43990-0066	*				
16	Seal	1040-0000	1				
17	Screw		2				
18	Washer, Fiber	35445-0000	*				

\* Parts supplied with Service Kit.

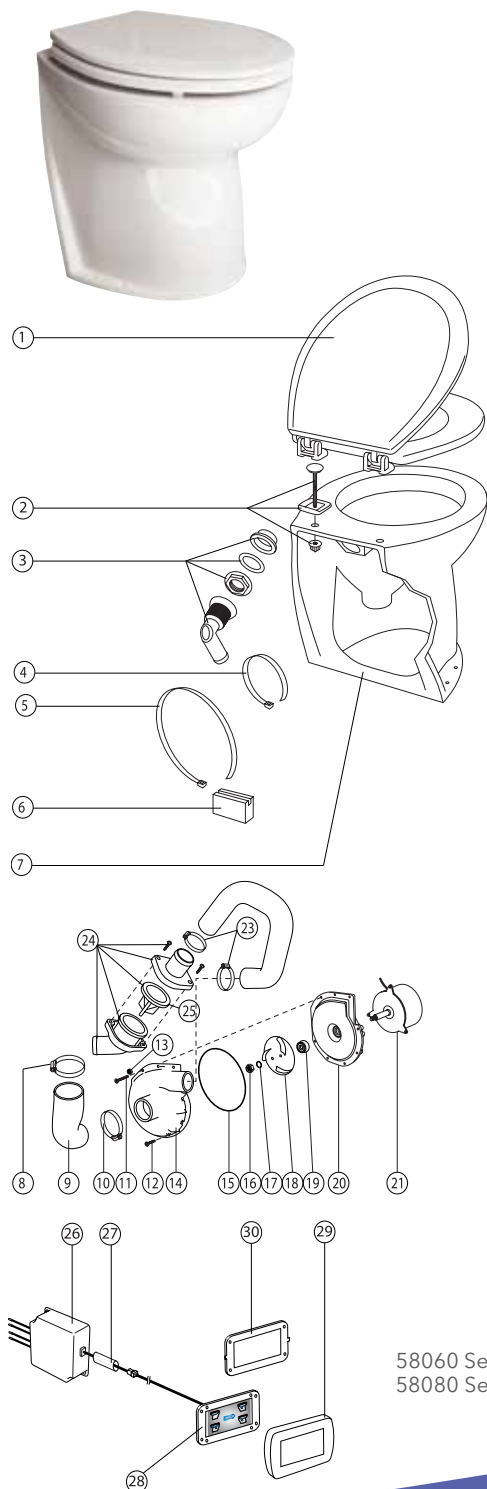
\*\* Parts included with base 37004-1000.



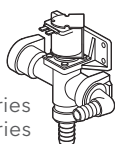
58060, 58260, 58080 & 58280 DELUXE FLUSH 14" & 17" ELECTRIC TOILETS

SERVICE KITS AVAILABLE		
KIT	MODEL NUMBER	DESCRIPTION
A	58100-2000	Major Service Kit
B	58103-1012	Pump Assembly 12V
	58103-1024	Pump Assembly 24V
C	58029-1000	Control Kit

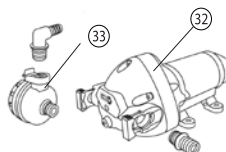
KEY	DESCRIPTION	QTY PER TOILET	MODEL NUMBER	QTY PER SERVICE KIT		
				A	B	C
1	Seat & Lid Set	1	58104-1000			
2	Hinge Kit, pair	1	58105-1000			
3	Rinse Intake Seal & Elbow	1	58107-1000			
4	Support Strap, Discharge Hole	1	See Kits	1	1	
5	Support Strap, Motor	1	See Kits	1	1	
6	Support Block, Motor	1	See Kits	1	1	
7	14" Bowl, Angled Back	1	58048-1000			
	14" Bowl, Vertical Back	1	58068-1000			
	17" Bowl, Angled Back	1	58028-1000			
	17" Bowl, Vertical Back	1	58038-1000			
8	Hose Clip, large	1	See Kits	1	1	
9	Inlet Hose, Flush Pump	1	See Kits	1	1	
10	Hose Clip, medium	1	See Kits	1	1	
11	Screw, long	4	See Kits	1	4	
12	Screw, short	3	See Kits	1	3	
13	Nut	7	See Kits	2	7	
14	Pump Body, upper	1	See Kits		1	
15	Ring Seal	1	See Kits	1	1	
16	Nut	1	See Kits	1	1	
17	Washer	1	See Kits	1	1	
18	Impeller	1	See Kits		1	
19	Ceramic Seal	1	See Kits	1	1	
20	Pump Body, lower	1	See Kits		1	
21	Motor 12V	1	See Kits		1	
	Motor 24V	1	See Kits		1	
22	Outlet Hose, Pump	1	See Kits	1	1	
23	Clip, small	2	See Kits	2	2	
24	Non-Return Valve Assy.	1	58109-1000			
25	Joker Valve	1	29092-1000			
26	Control Box, Electronics	1	See Kits			1
27	Heat Shrink Sleeve, Control Cable	1	See Kits			1
28	Panel	1	See Kits			1
29	Jabsco White Fascia Panel	1	See Kits			1
30	Adapter Plate	1	See Kits			1
31	Solenoid Valve 12V	1	37038-1012			
	Solenoid Valve 24V	1	37038-1024			
32	Rinse Pump 12V	1	31331-0092			
	Rinse Pump 24V	1	31331-0094			
33	Pumpgard™	1	46400-9500			



58060 Series  
58080 Series



58260 Series  
58280 Series



# 13 Service Parts

## ELECTRIC TOILETS

In 2009, the design of the Deluxe Flush Pump Assembly and Control Panel was updated.

If you have a toilet manufactured before 2010 and want to purchase a service kit, you need part number 58100-1000 – there are different size hoses used on the different designs.

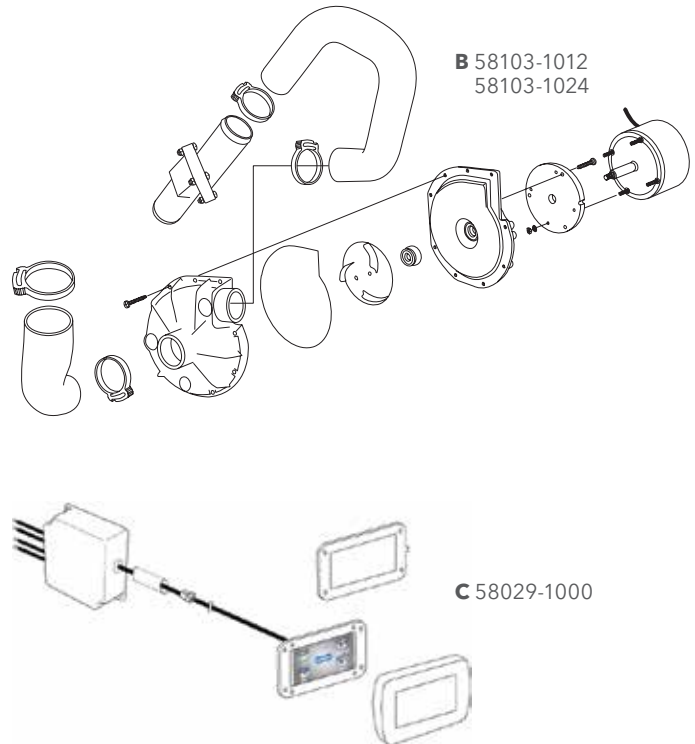
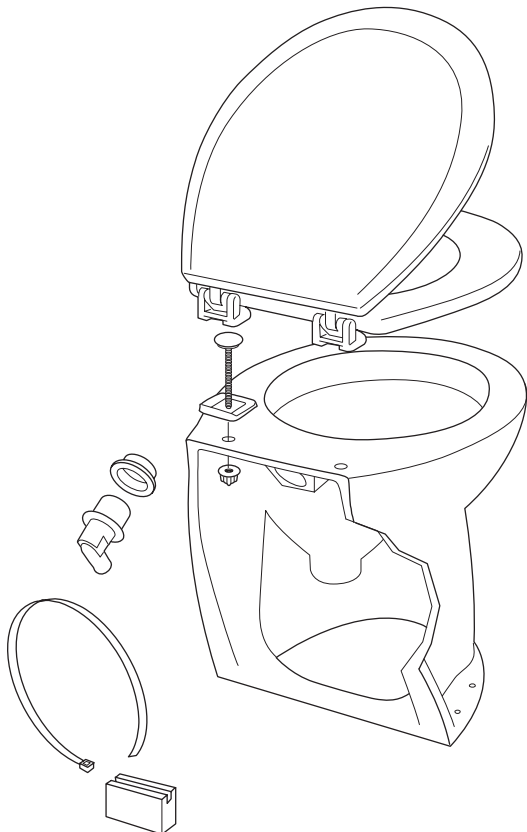
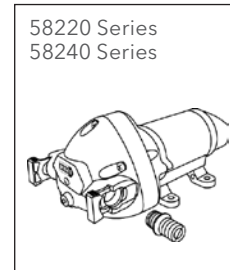
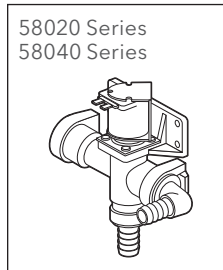
The design of the pump assembly (B) was changed, but you can purchase the new pump design. The style of the control kit (C) was also updated, but the new design can be used to replace this (see previous page).



### 58020, 58220, 58040, 58240 DELUXE FLUSH 17" ELECTRIC TOILETS (UNTIL 2009)

#### REPAIR KITS AVAILABLE

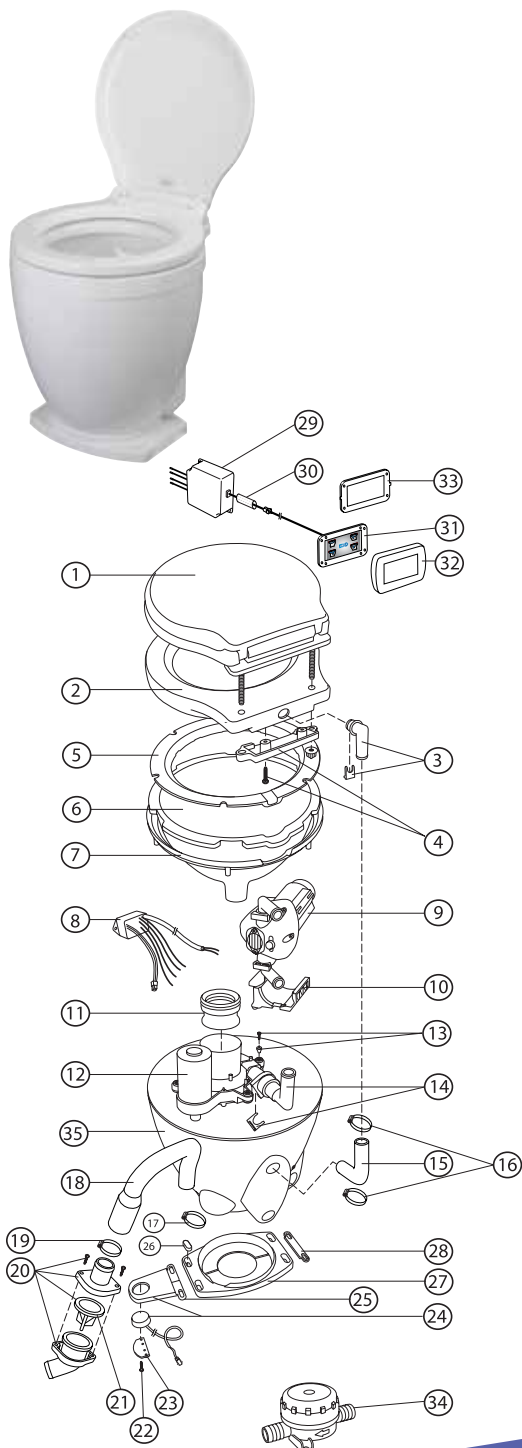
KIT	MODEL NUMBER	DESCRIPTION
<b>A</b>	58100-1000	Major Service Kit
<b>B</b>	58103-1012	Pump Assembly 12V
	58103-1024	Pump Assembly 24V
<b>C</b>	58029-1000	Control Kit



**58500 SERIES LITE FLUSH ELECTRIC TOILETS**

REPAIR KITS AVAILABLE		
KIT	MODEL NUMBER	DESCRIPTION
<b>A</b>	58550-1000	Hose Kit
<b>B</b>	58540-1012	Pump Assembly 12V
	58540-1024	Pump Assembly 24V
<b>C</b>	58555-1000	Control Kit (Footswitch)
<b>D</b>	58552-1000	Control Kit (Panel)
	58541-1000	Pulley & Belt Kit

KEY	DESCRIPTION	QTY PER TOILET	MODEL NUMBER	QTY PER REPAIR KIT			
				A	B	C	D
<b>1</b>	Seat & Lid	1	58530-1000B				
<b>2</b>	Top	1					
<b>3</b>	Intake Elbow & Clip	1					
<b>4</b>	Seat & Lid Clamp Kit	1					
<b>5</b>	Top Bowl Seal	1	58514-1000				
<b>6</b>	Ceramic Bowl	1					
<b>7</b>	Clamp Ring	1					
<b>8</b>	Control Box (Footswitch)	1	See Kits			1	
<b>9</b>	Rinse Pump 12V	1	31331-0092				
	Rinse Pump 24V	1	31331-0094				
<b>10</b>	Rinse Pump Bracket	1					
<b>11</b>	Bowl Outlet Seal	1	See Kits		1		
<b>12</b>	Pump Assembly 12V	1	See Kits		1		
	Pump Assembly 24V	1	See Kits				
<b>13</b>	Pump Assembly Fixings	4	See Kits		1		
<b>14</b>	Discharge Elbow and Clip	1	See Kits		1		
<b>15</b>	Inlet Hose	1	See Kits	1			
<b>16</b>	Small Hose Clip	2					
<b>17</b>	Medium Hose Clip	1					
<b>18</b>	Outlet Hose	1	See Kits	1			
<b>19</b>	Large Hose Clip	1					
<b>20</b>	Non-Return Valve Assembly	1	58109-1000				
<b>21</b>	Joker Valve	1	29092-1000				
<b>22</b>	Screw, Footswitch	2					
<b>23</b>	Switch Support	1					
<b>24</b>	Footswitch	1	See Kits			1	
<b>25</b>	Switch Mount	1					
<b>26</b>	Screw Covers	4					
<b>27</b>	Base	1					
<b>28</b>	Foot Panel Blank	1	See Kits			1	2
<b>29</b>	Control Box	1	See Kits				1
<b>30</b>	Heat Shrink Sleeve	1	See Kits				1
<b>31</b>	Panel	1	See Kits				1
<b>32</b>	Jabsco White Fascia Panel	1	See Kits				1
<b>33</b>	Adapter Plate	1	See Kits				1
<b>34</b>	Pumpgard™	1	46400-0000				



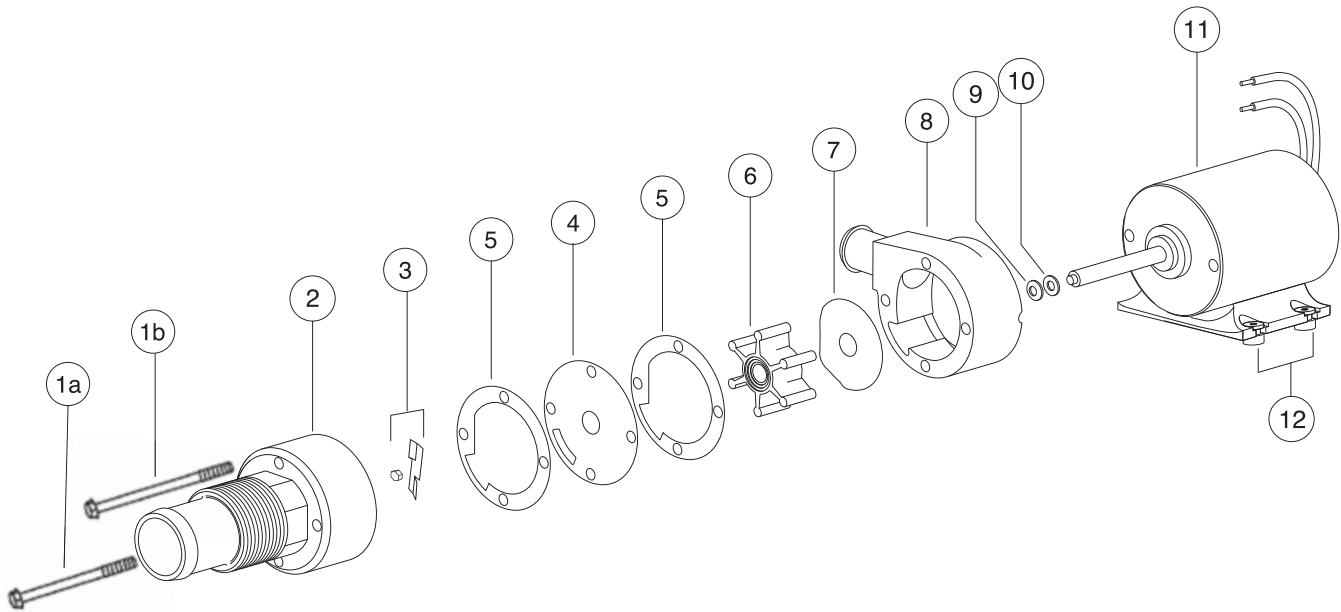
# 13 Service Parts

18590 SERIES RUN-DRY MACERATOR PUMP



18590 SERIES RUN-DRY MACERATOR PUMP			
KEY	DESCRIPTION	MODEL NUMBER	QTY
1a	Bolt, short	See Bolt Kit	2
1b	Bolt, long	See Bolt Kit	2
2	Macerator Housing	18594-1000	1
3	Chopper Plate with Locknut	37056-2000	1
4	Wearplate, large	18597-1000	1
5	Gaskets (2 each per kit)	18596-1000	*
6	Impeller	6303-0003	*
7	Wearplate, small	12316-1002	1
8	Body	18593-1000	*
9	Seal	1040-0000	*
10	Slinger	6342-0000	1
11	Motor 12V	17246-1012	1
	Motor 24V	17246-1024	1
12	Grommets (set of 4)	92900-0120	1
	Service Kit	18598-1000	1
	Bolt Kit	17288-1000	1

\* These parts are supplied in Service Kit 18598-1000.



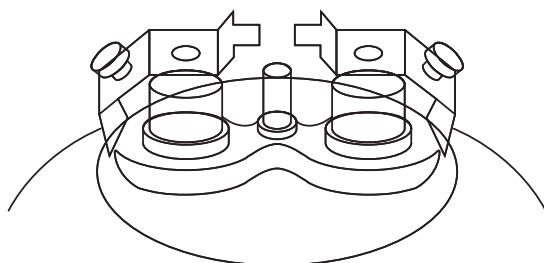


# Service Parts 13

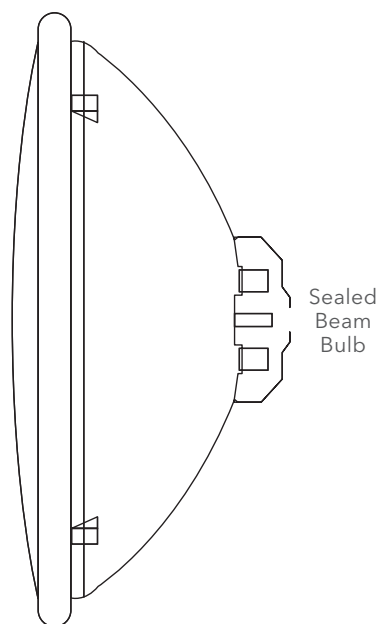
## REPLACEMENT BULB GUIDE

CHROME REMOTE CONTROL SEARCHLIGHTS					
DIAMETER INCHES (MM)	MODEL NUMBER	VOLTS	WATTS	CANDLE-POWER x 1000	SEALED BEAM NUMBER
<b>Sealed Beam Bulbs for Current Series</b>					
5" (130mm)	61022, 62022 Series 61026, 62026 Series	12	100	100/50	67296-0000
6" (150mm)	63020, 63022 Series	12/24	100	200/50	64046-0006
7" (180mm)	61040, 62040 Series	12	100/ 100	200/50	67262-0000
		24	170	230	18753-0447
8" (200mm)	61042, 62042 Series	24	250	500	98040-0520
<b>Sealed Beam Bulbs for Older Lights (not in catalog)</b>					
5" (130mm)	61020 Series 61024 Series 61025 Series	12	100/ 100	100/50	67296-0000
7" (180mm)	43630 Series	12	100	49	43990-0048
		24	450	450	66165-0000
	40017, 40027, 40170	12	100	49	43990-0048
	40173, 40244, 40324	24	400	200/50	66165-0000
	61041-3002	24	400	200/50	66165-0000
5-3/4" (145mm)	40014, 40025, 40049	12	N/A	75	98040-0020
<b>Halogen Bulbs - Sealed Beam</b>					
5" (130mm)	61025-4008 61026-4008	12	55	N/A	43990-0022
<b>Xenon Bulbs</b>					
7" (180mm)	62040-4002X	12	35	680	1000215-01K
	62040-4006X	24	35	680	1000215-01K

PENET-RAY PROJECTOR BULBS FOR OBSOLETE REFLECTOR LIGHTS					
DIAMETER INCHES (MM)	MODEL NUMBER	VOLTS	WATTS	CANDLE-POWER x 1000	BULB NUMBER
6-1/2" (165mm)	40915, 40018, 40122, 40500, 40503, 40533	12	72	N/A	98039-0020
Thru	40544, 40577, 40703, 40733, 40744, 40800	32	115	N/A	98039-0060
10" (255mm)	40803, 40833, 40844, 40877				
6" (150mm)	63042-0012	12	35	600	64046-0007
	63042-0024	24	35	600	64046-0008



PLASTIC REMOTE CONTROL LIGHTS					
MODEL NUMBER	VOLTS	WATTS	AMPS	CANDLE-POWER x 1000	BULB NUMBER
<b>135 SL</b>					
60020-0000	12	50	4	100	18753-0178
60020-0024	24	50	2	100	18753-0178
<b>155 SL</b>					
61050-0080	12	50	5	100	18753-0528
61050-1224	12/24	50	5	100	18753-0528
<b>146 SL</b>					
60080-0012	12	50	4	175	18753-0455
60080-0024	24	50	2	175	18753-0455
<b>233 SL</b>					
60233-1224H	12/24	55	5	225	1000193-01K
<b>255 SL</b>					
60010-0012 60010-2012	12	50	4	200	18753-0336
60010-0024 60010-2024	24	50	2	200	18753-0336
<b>Docking Lights (obsolete)</b>					
42440-0000	12	100	7.5 (each)		18753-0287
42440-0024	24	150	4.0 (each)		18753-0462



# 14 Appendices

## WARRANTY



### Warranty

Xylem Inc. – Jabsco & Rule warrant that at the time of shipment the product manufactured by Xylem and sold hereunder (“the product”) shall be in conformity with applicable written specifications and descriptions and will be free from defects in material and workmanship for a period of one year or period stated on the product packaging. The warranty will not extend to a product which becomes defective resulting from damage in the course of transportation or by storage operation use or maintenance in an environment not conforming to the instructions or specifications of Xylem or if the product is altered or modified in any way.

Xylem's sole liability for breach of this warranty will be (at its option) to repair or replace the defective product.

Warranty is only valid with proof of purchase from an authorized Xylem dealer.

Please note that the warranty on the product is with the place of purchase.

This warranty does not affect your statutory rights.

This warranty statement is not definitive and will be in addition to our standard terms and conditions.

# 14 Appendices

## CONVERSION TABLES

### Volumatic Rate of Flow

MULTIPLY	LITERS PER SEC	LITERS PER MIN	CUBIC METERS PER HOUR	CUBIC FEET PER HOUR	CUBIC FEET PER MIN	IMPERIAL GALLONS PER MIN	US GALLONS PER MIN	US BARRELS PER DAY
liters per sec	1	60	3.6	127.1	21.19	13.2	15.85	543.4
liters per min	0.1667	1	0.06	2.119	0.03532	0.22	0.2642	9.057
cubic meters per hour	0.2778	16.67	1	35.31	0.5886	3.666	4.403	150.9
cubic feet per hour	0.007865	0.4719	0.02832	1	0.01667	0.1038	0.1247	4.275
cubic feet per min	0.4719	28.32	1.6999	60	1	6.229	7.481	256.5
imperial gallons per min	0.07577	4.546	0.2727	9.633	0.1606	1	1.201	41.17
US gallons per min	0.06309	3.785	0.2271	8.021	0.1337	0.8327	1	34.29
US barrels per day	0.00184	0.1104	0.0006624	0.2339	0.0003899	0.02428	0.02917	1

### Pressure

MULTIPLY	BAR	PSI (LBF/IN <sup>2</sup> )	CM WATER (39.2°F, 4°C)	INCH OF WATER (39.2°F, 4°C)	FOOT OF WATER (39.2°F, 4°C)	KILOPASCAL (KPA)
bar	1	14.50377	1019.74	401.474	33.4562	100
psi (lbf/in <sup>2</sup> )	0.06894757	1	70.3089	27.6807	2.30673	6.894757
cm of water (39.2°F, 4°C)	0.000980638	0.0142230	1	0.393701	0.0328084	0.0980638
inch of water (39.2°F, 4°C)	0.00249082	0.0361263	2.54	1	0.0833334	0.249082
foot of water (39.2°F, 4°C)	0.0298898	0.433515	30.48	12.0213	1	2.98898
kilopascal (kPa)	0.01	0.1450377	10.1974	4.01474	0.334562	1

### Volume & Capacity

MULTIPLY	CUBIC FEET	IMPERIAL GALLONS	CUBIC METERS	LBS. OF WATER
cubic feet	1	6.229	0.0283	62.3
imperial gallons	0.1605	1	0.00454	10
cubic meters	35.31	220	1	2199
lbs. of water	0.016	0.1	0.00045	1

## Temperature

TO CONVERT FROM	TO FAHRENHEIT	TO CELSIUS	TO KELVIN
Fahrenheit (F)	F	$(F - 32) * 5/9$	$(F - 32) * 5/9 + 273.15$
Celsius (C)	$(C * 9/5) + 32$	C	$C + 273.15$
Kelvin (K)	$(K - 273.15) * 9/5 + 32$	$K - 273.15$	K

## Capacity & Flow Rate

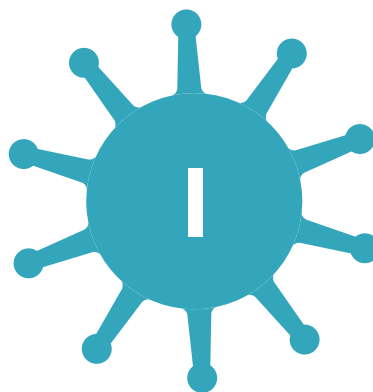
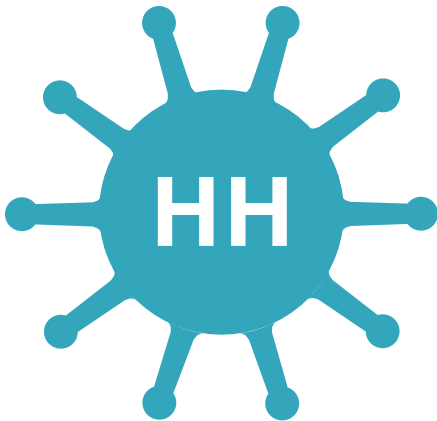
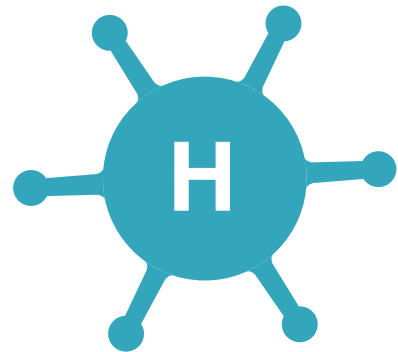
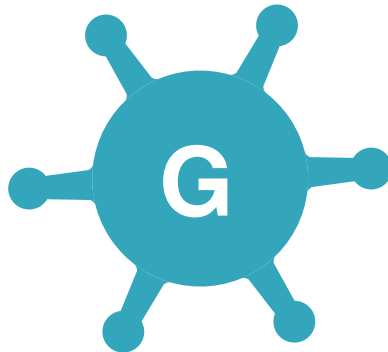
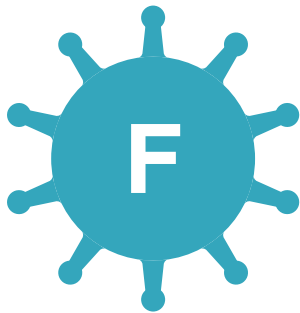
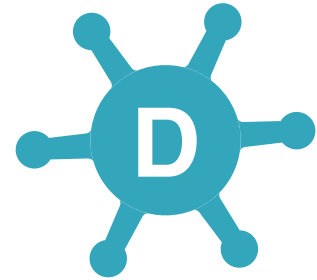
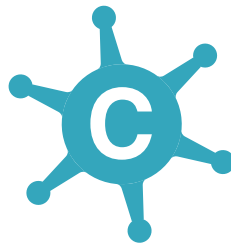
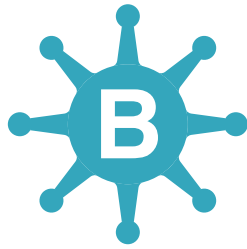
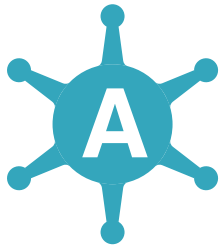
MULTIPLY	M <sup>3</sup> /HOUR	LITER/SEC	LITER/MIN	M <sup>3</sup> /SEC (CUMEC)	UK GPM	US GPM	FT <sup>3</sup> /SEC (CUSEC)	WATER UK TON/HOUR	WATER TONNE/HOUR
m <sup>3</sup> /hour	1	0.278	16.66	0.000278	3.666	4.4	0.00981	0.982	1
liter/sec	3.6	1	60	0.001	13.2	15.83	0.00353	3.528	3.6
liter/min	0.06	0.0167	1	$1.66 \times 10^{-5}$	0.2199	0.264	0.000588	0.059	0.06
m <sup>3</sup> /sec (cumec)	3600	1000	60,000	1	13,200	15,800	35,315	3532	3600
UK GPM	0.272	0.0757	4.546	0.000757	1	1.2	0.002267	0.268	0.272
US GPM	0.227	0.0632	3.785	0.000063	0.833	1	0.00223	0.223	0.227
ft <sup>3</sup> /sec (cusec)	101.9	28.32	1698	0.0283	374	449	1	100	101.9
water UK ton/hour	1.02	0.283	17	0.000283	3.73	4.48	0.01	1	1.02
water tonne/hour	1.005	0.278	16.7	0.000278	3.666	4.41	0.0098	0.98	1

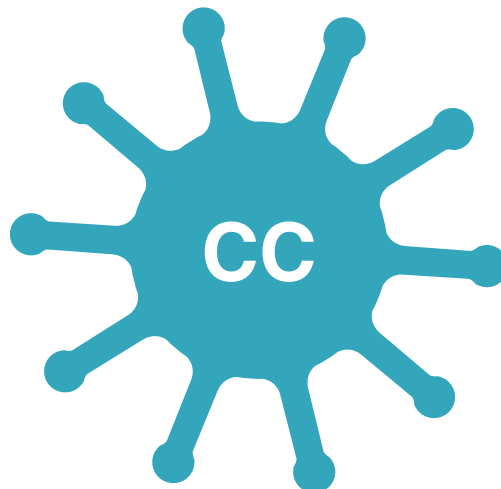
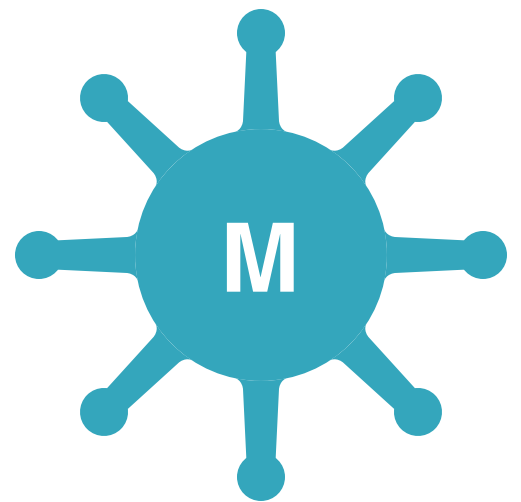
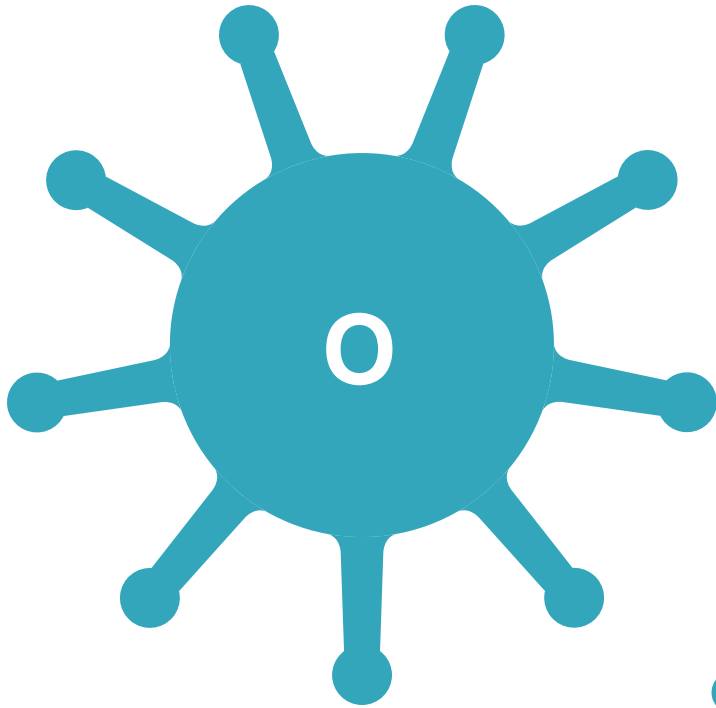
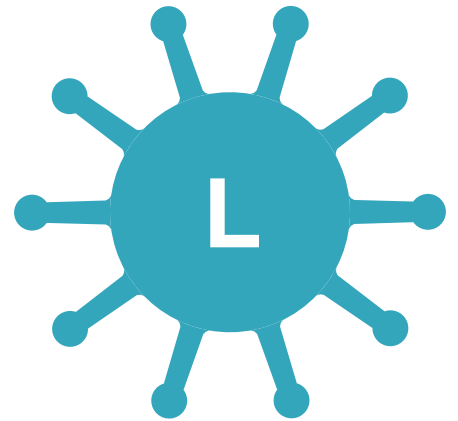
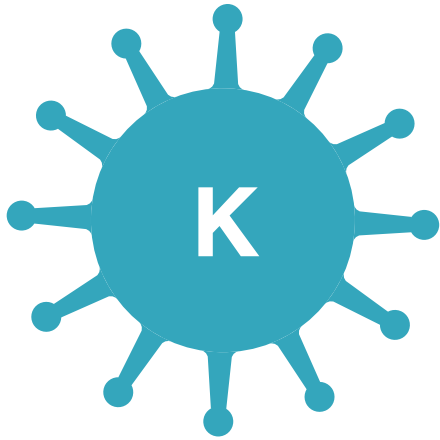
## Length

MULTIPLY	METERS	INCHES	FEET	MILLIMETERS	MILES	KILOMETERS
meters	1	39.37	3.2808	1000	0.0006214	0.001
inches	0.0254	1	0.0833	25.4	0.00001578	0.0000254
feet	0.3048	12	1	304.8	0.0001894	0.0003048
millimeters	0.001	0.03937	0.0032808	1	$6.214 \times 10^{-7}$	0.000001
miles	1609.35	63.36	5.286	1609.35	1	1.60935
kilometers	1	39.37	3280.83	1000	0.62137	1

# 14 Appendices

IMPELLER REPLACEMENT PROFILES





# 14 Appendices

IMPELLER REPLACEMENT PROFILES

