

92-706

04-06 Tundra Access Cab

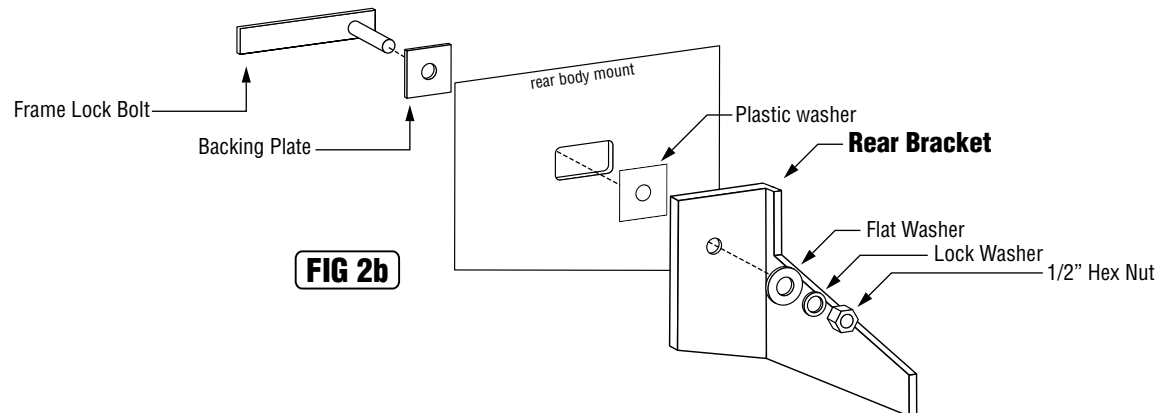
ENDEAVOUR INSTALLATION SHEET



QTY.	PARTS LIST	QTY.	PARTS LIST
4	5/16"-18x1 Carriage Bolt	2	1/2"x2" Heavy Duty Flat Washer
4	5/16"-18 Nylok Hex Nut	2	1-7/8" Backing Plate
2	1/2"-13x1-1/2" Hex Head Bolt	4	1/2" Lock Washer
2	1/2"-13x1-1/2" Frame Lock Bolt	4	5/16" Washers for Nylok Nut
2	1/2" Flat Washer	4	1/2" Hex Nut
4	Bracket Clamp		

STEP 1 Install front bracket with bracket extension to the front of the vehicle. Use 1/2"x1-1/2" anchor bolt, washer, heavy duty flat washer, lock washer and nut, by reaching into the frame and inserting anchor bolt through the frame hole closest forward to body mount. Install bracket heavy duty flat washer, lock washer and nut on bolt. Position bracket so the flange mates to bottom of the frame. Tighten to 60ft. lbs. **Fig 1**

STEP 2 Install rear bracket with bracket extension to the front of the vehicle. Use 1/2"x1-1/2" bolt, (1) backing plate, flat washer, lock washer and nut. Insert bolt with backing plate through the frame hole inside rear body mount. Install bracket, flat washer, lock washer and nut on bolt. **Fig 2a & 2b**



board installation on other side



STEP 3 Mounting board to vehicle.

- 1) Place clamp brackets on main bracket, turn 90 degrees to the main brackets. Place carriage bolt through top of clamp bracket through main bracket, placing flat washer and nylock on bottom side. **Fig 3a**
- 2) Place running board on main brackets, making sure that opening and the bottom of the board goes over the clamp brackets.
- 3) Rotate clamp brackets above main brackets, making sure that both edges of the running board are in between the clamp bracket and the main bracket. Make sure running board is pushed all the way in towards vehicle on main brackets. **Fig 3b**
- 4) Adjust board to be centered under the cab of the vehicle and tighten the clamp brackets to the main brackets. Make sure all remaining hardware is tightened and test the running boards for attachments.



MOUNTING BOARD TO BRACKET

FIG 3a

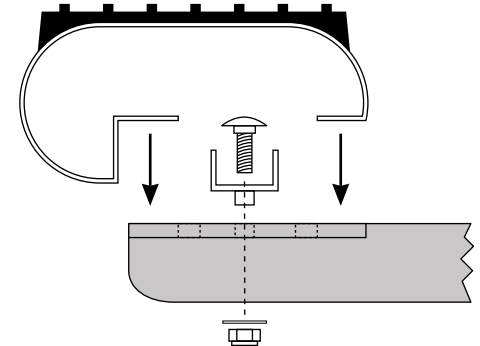


FIG 3b

