



97-03 Ford F-150 Reg, Super, Super Crew

92-400, 402, 406

STEP 1 REMOVE ALL PARTS FROM THE BRACKET BOX AND CHECK FOR CORRECT QUANTITY AND ANY DAMAGED PARTS.

STEP 2 DRIVER SIDE FRONT BRACKET INSTALL

1. DRIVER SIDE PLATE WILL HAVE 45 DEGREE CUTS AT THE TOP TO MAKE ROOM FOR BRAKE CABLE.
2. INSTALL (2) 5/16" NUT CLIPS.
3. INSTALL 5/16" HARDWARE INTO HOLES "A" AND "B".
4. INSTALL FRONT BRACKET AND 5/16" HARDWARE INTO HOLES "C" AND "D". **HAND TIGHTEN ONLY**

STEP 3 PASSENGER SIDE FRONT BRACKET INSTALL

1. PASSENGER SIDE PLATE LOOKS SIMILAR TO THE MIDDLE/REAR BRACKETS. DESIGNATE BRACKET AS SHOWN IN ILLUSTRATION.
2. INSTALL (2) 5/16" NUT CLIPS AND PLACE PASSENGER PLATE AGAINST BODY PANEL.
3. INSTALL 5/16" HARDWARE INTO HOLES "A" AND "B".
4. INSTALL FRONT BRACKET AND 5/16" HARDWARE INTO HOLES "C" AND "D". **HAND TIGHTEN ONLY**

STEP 4 MIDDLE BRACKET INSTALL

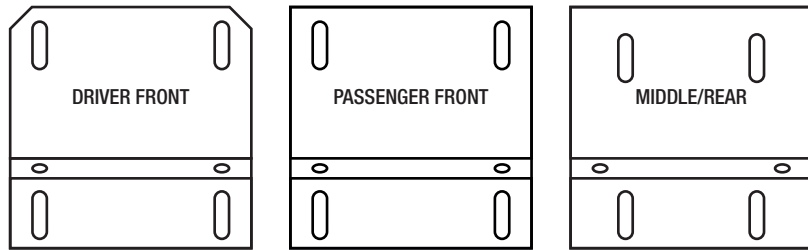
1. AT THE 3RD PAIR OF HOLES ALONG THE PINCH WELD, REMOVE RUBBER PLUG.
2. INSERT 5/16" NUT CLIP AND PLACE MIDDLE/REAR PLATE AGAINST BODY PANEL.
3. INSTALL 5/16" HARDWARE INTO HOLE "G".
4. INSTALL MIDDLE BRACKET AND 5/16" HARDWARE IN TO HOLES "E" & "F". **HAND TIGHTEN ONLY**

REAR BRACKET INSTALL

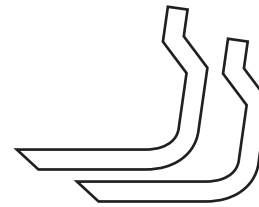
1. AT THE 4TH PAIR OF HOLES ALONG THE PINCH WELD, REMOVE RUBBER PLUG.
2. INSERT 5/16" NUT CLIP AND PLACE MIDDLE/REAR PLATE AGAINST BODY PANEL.
3. INSTALL 5/16" HARDWARE INTO HOLE "H" AND "I" INCH PINCH WELD. *(NOTICE BOLT "H" IS FACING OPPOSITE DIRECTION)*
4. THREAD 5/16" HARDWARE INTO BOTTOM HOLE OF PLATE AND BRACKET. **HAND TIGHTEN ONLY**
5. PLACE BOARD ON BRACKETS AND MAKE VERTICAL ADJUSTMENTS TO ALL 3 BRACKETS TO ENSURE A LEVEL MOUNTING SURFACE. AT THIS POINT TIGHTEN **ALL** BRACKET HARDWARE.
6. INSTALL TEK SCREWS INTO HOLES "J" & "K"
7. PREPARE TO INSTALL RUNNING BOARD.

QTY	PARTS LIST	QTY	PARTS LIST	QTY	
6	5/16" SERRATED FLANGE BOLT	2	FRONT BRACKETS	6	BRACKET CLAMP
30	5/16" SERRATED FLANGE NUT	4	MIDDLE/REAR BRACKETS	6	5/16" NUT CLIP
12	5/16" X 3/4" HEX BOLT	1	DRIVER FRONT PLATE	4	1/4" x 1" TEK SCREW
18	5/16" X 1" HEX BOLT	1	PASSENGER FRONT PLATE		
18	5/16" FLAT WASHERS	4	NARROW PLATE		

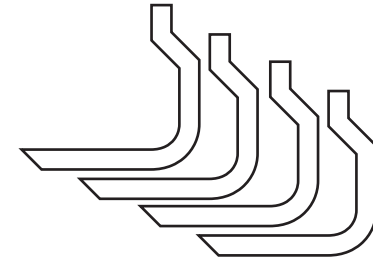
BRACKET PLATES



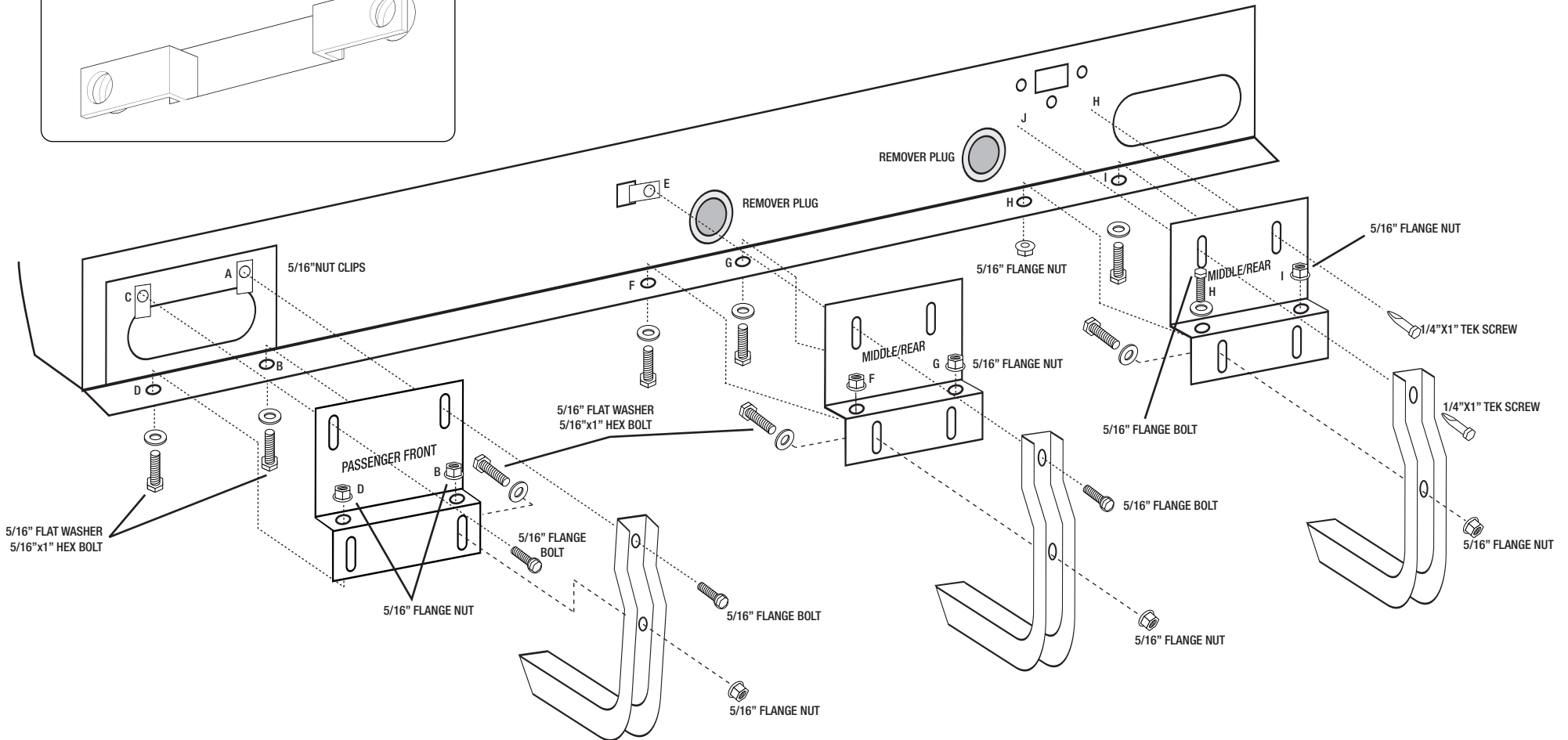
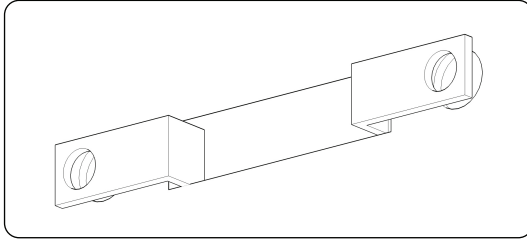
FRONT BRACKETS



MIDDLE/REAR BRACKETS



NUT CLIP INSTALL



STEP 5 Mounting board to vehicle.

1) Place clamp brackets on main bracket, turn 90 degrees to the main brackets. Place 5/16" hex bolt through top of bracket clamp in oblong hole to center hole in main bracket, placing 5/16" flange nut on bottom side. Fig 2a

2) Place running board on main brackets, making sure that opening and the bottom of the board goes over the clamp brackets.

3) Rotate clamp brackets above main brackets, making sure that both edges of the running board are in between the clamp bracket and the main bracket. Install 5/16" hex bolt through center hole of bracket clamp and oblong hole of main bracket placing 5/16" flange nut on bottom side. Fig 2b

4) Adjust board to be centered under the cab of the vehicle and tighten the clamp brackets to the main brackets. Make sure all remaining hardware is tightened and test the running boards for attachments..

MOUNTING BOARD TO BRACKET

