

This installation sheet is for brackets with tube & rail system. Drop steps purchased separately.

PARTS LIST * may require drilling

QTY	PARTS	QTY	PARTS	QTY	PARTS
18	8mmx40mm Bolts	6	8mm Nut Clip	4	Brackets Driver
18	5/16" Flat Washers	8	8mm Flange nuts	4	Brackets Passenger
18	5/16" Lock Washers	8	3/8" Flange Bolts	2	Bracket Plates Rear
8	Self Tapping Bolts	8	Rail Tabs (4 pre-installed on rail)		

STEP 1 Remove contents from box and check for missing or damaged parts. Verify all parts are present, making sure to read and understand instructions before beginning installation.

STEP 2 07-11 Crew Cabs: Mount brackets to pinch weld and body panel.

- 1) Locate tabs on the pinchweld that have holes or factory threaded nuts in them. These tabs will line up with the factory threaded holes in the body panel.
- 2) Bolt the bracket to pinchweld hole using an 8mmx40mm hex bolt, flat washer and 8mm flange nut. *Hand tighten at this time. (Z71 - thread 8mm bolt, lock washer and flat washer into factory welded nuts on front (2) mounting points on pinch weld) FIG 2*
- 3) Bolt the top of the front (2) brackets on by inserting a 8mm x 40mm hex bolt, lock washer and flatwasher through bracket slot and into the factory threaded holes. **FIG 3**
- 4) Remove (2) rubber plugs on rear mounting positions.
- 5) Insert 8mm nut clips into rear hole mounting positions. **FIG 4**
- 6) Thread a 8mm x 40mm hex bolt and 5/16" flat washer through top bracket slot into nut clip. *Rear bracket will require **bracket plate** between bracket and sidewall. FIG 4*

07-11 Reg & Ext Cabs - Will not have factory threaded holes, use nut clips in holes at all bracket mounting locations.

STEP 3 *99-06 Crew Cabs: Mount brackets to pinch weld and body panel.



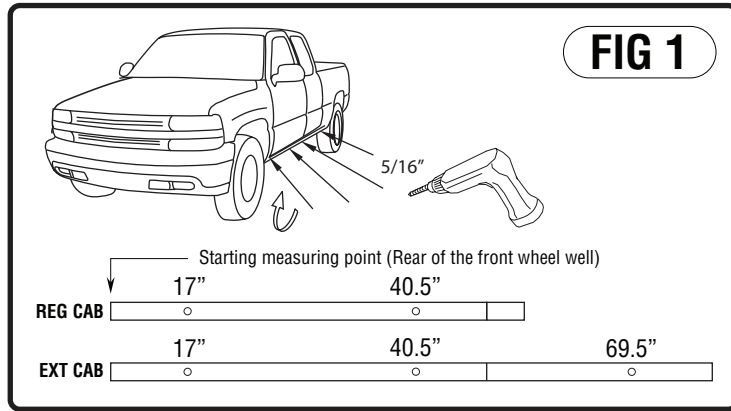
- 1) Locate tabs on the pinchweld. Some may have have factory punched oblong holes in them. The front (2) tabs will line up with the factory threaded holes in the panel. The tabs will have to be drilled to allow for a bolt hole. Oblong holes may be too narrow for supplied 8mm bolt and therefore must be widened with drill.
- 2) Bolt the bracket to pinchweld hole using an 8mmx40mm hex bolt, flat washer and 8mm flange nut. *Hand tighten at this time.*
- 3) Bolt the top of the front (2) brackets on by inserting a 8mm x 40mm hex bolt, lock washer and flatwasher through bracket slot and into the factory threaded holes.
- 4) The top of the rear two brackets will have to be installed with self tapping bolt and lock washer. Use the small hole next to the vertical oblong hole at top of bracket. Start with drill and then hand tighten to make snug.

STEP 4 *99-08 Reg & Extended cabs: Mount brackets to pinch weld and body panel.

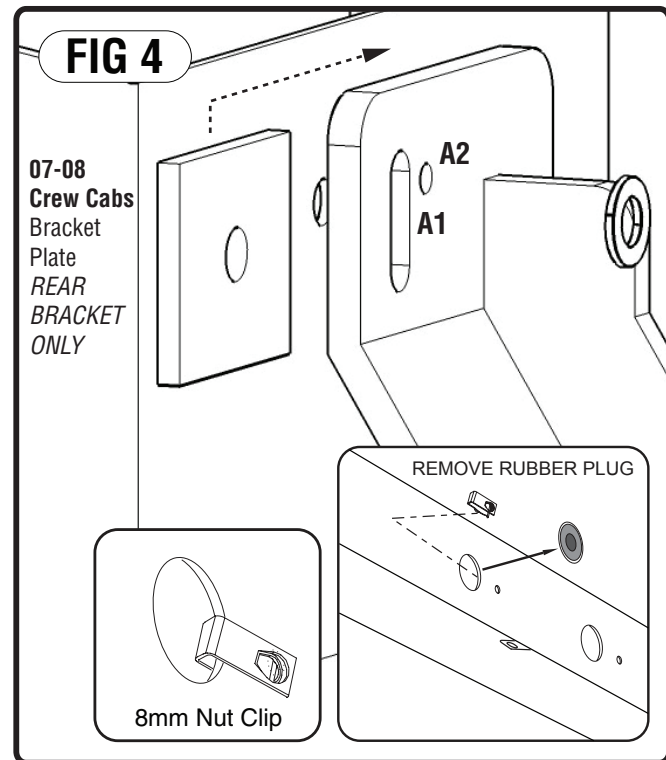
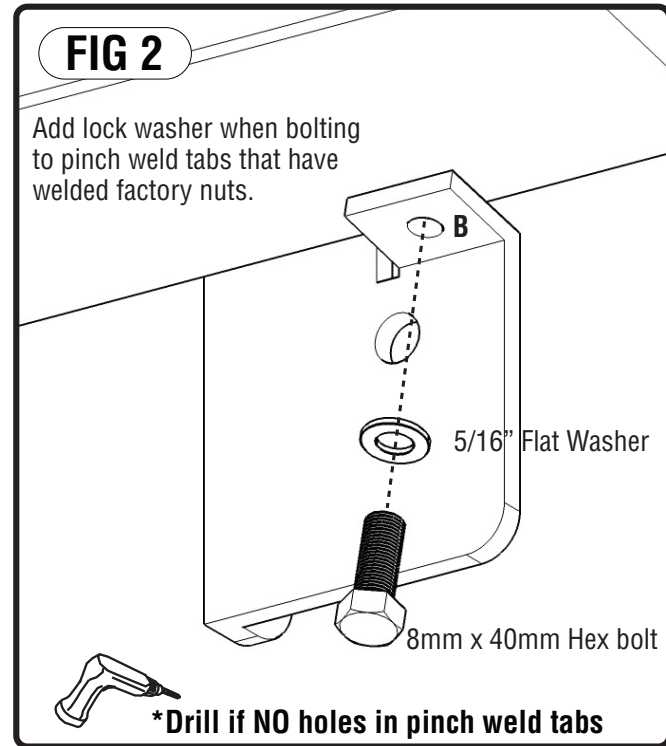
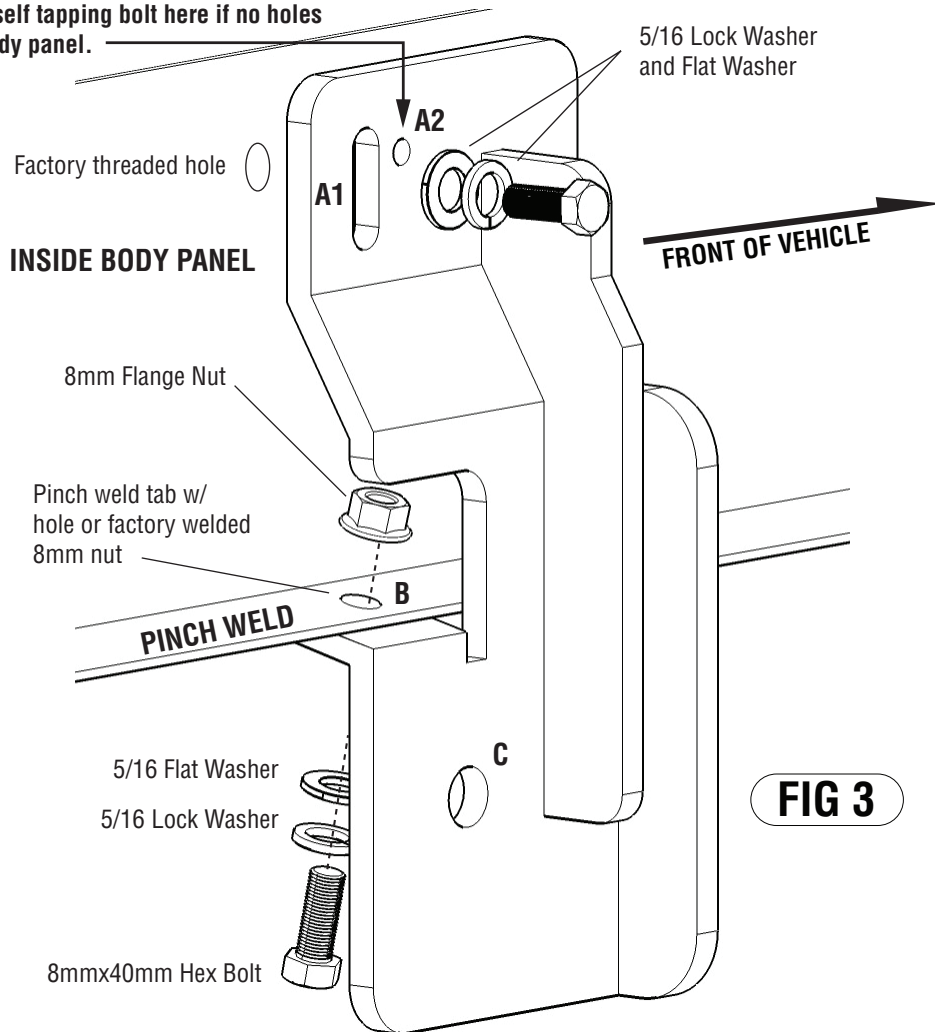


- 1) Locate tabs on the pinchweld. Choose mounting points and drill 5/16" hole in center of tabs.
- 2) Bolt the bracket to pinchweld hole using an 8mmx40mm hex bolt, flat washer and 8mm flange nut. *Hand tighten at this time.*
- 4) The top of the brackets will have to be installed with self tapping bolt and lock washer. Use the small hole next to the vertical oblong hole at top of bracket. Start with drill and then hand tighten to make snug.

MOUNTING BRACKET TO TRUCK



Use self tapping bolt here if no holes in body panel.



TUBE AND RAIL INSTALLATION (Tubes and rails are not driver and passenger side specific. They fit both sides universally)

- 1) Tube and rail come preassembled in box. Unassemble tube and rail before install. You may loosen hex bolt and slide rail from tube leaving hex bolt and rail tab on the tube brace.
- 2) Insert 3/8" hex bolt into hole "C" of front bracket and loosely thread rail-tab to bolt a few turns. Slide rail onto rail-tab. *Hand tighten at this time. Fig 5*
- 3) Slide middle bracket rail-tabs into rail and then attach rail to REAR bracket with 3/8" hex bolt and rail-tab. **Fig 5**
Hand tighten at this time.
- 4) Hold middle rail-tab with fingers to thread 3/8" hex bolt through bracket into tab and tighten. *Hand tighten at this time.*
- 5) With 3/8" hex bolt and rail-tab fixed to TUBE BRACE, slide onto bottom side of rail at near the rear bracket. **Fig 6**
- 6) Attach front of tube to rail by sliding rail-tab in to position and threading 3/8" hex bolt through tube brace. *Hand tighten at this time.*
- 7) Push up on rail when making final adjustments. **TIGHTEN ALL REMAINING BOLTS TO COMPLETE INSTALL. 40 FT LBS. MAX TORQ**

When making final adjustments, we recommend tube to be placed 2-3 inches from the rear of the FRONT wheel well. Rail should be centered to tube. (1" past inner hole of tube or 5" from tube ends)

