

IRON CROSS AUTOMOTIVE INC.

INSTALLATION INSTRUCTIONS [FRONT WINCH BUMPER](#)

PARTS LIST

12	1/2" FLAT WASHERS
6	1/2" LOCK WASHERS
6	1/2" HEX BOLTS
6	1/2" HEX NUTS
1	BUMPER
1	DRIVER SIDE BRACKET
1	PASSENGER SIDE BRACKET

20/22/24-625-03
03-05 DODGE RAM 2500

20/22/24-625-06
06-08 DODGE RAM 2500

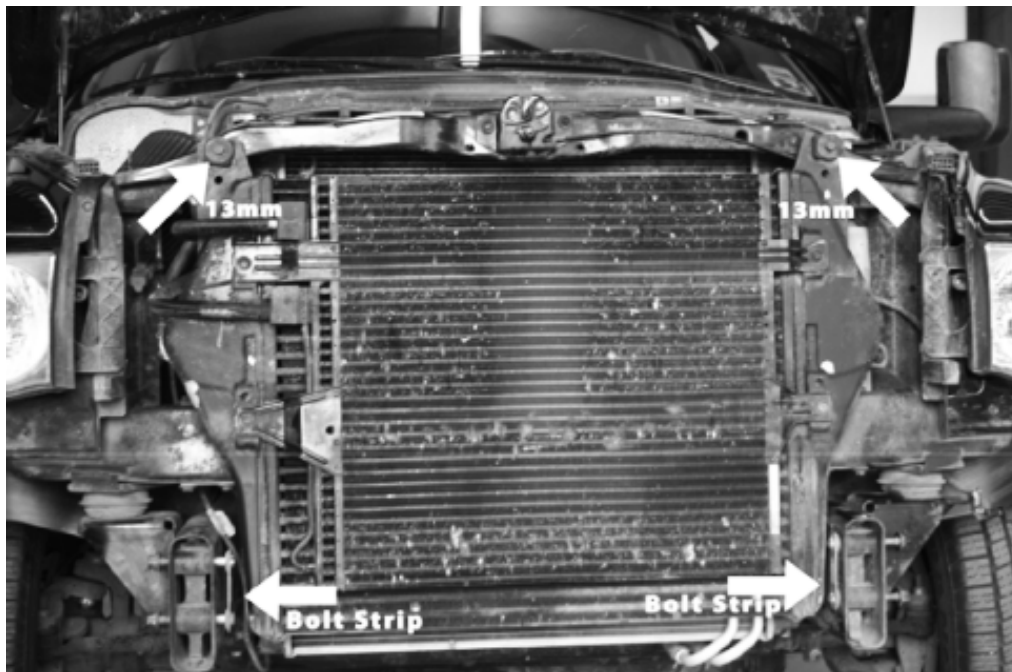
20/22/24-625-10
10-14 DODGE RAM 2500

BUMPER REMOVAL

A) Open hood.

B) Diesel Only: Remove two 10mm (or 13mm) bolts holding top of intercooler to radiator support (Picture #1).

C) Disconnect fog light wiring harness located under the driver-side bumper. Zip tie to hole in body.



D) Remove four 18mm nuts and two bolt strips holding OEM bumper to frame rails. Diesel only: Move one side of intercooler at a time to remove bolt strips (Picture #2). NOTE: Be careful not to damage intercooler fins.



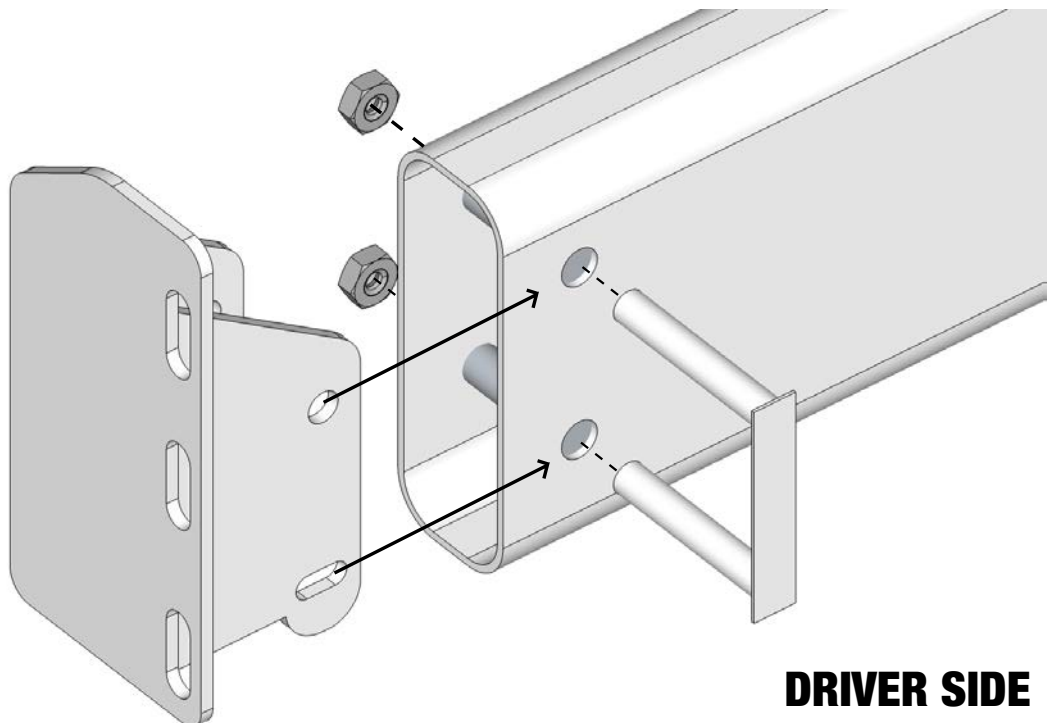
E) Remove OEM bumper

F) Re-install and tighten two bolts holding top of intercooler to radiator support (Picture #1).

BRACKET INSTALL

A) Place bracket on to frame as shown in image. You will install the factory "U-Bolt" and nuts on the opposite side from where it was removed. Tighten down firmly.

B) Repeat bracket install on passenger side.



BUMPER INSTALL

A) CAREFULLY ALIGN BUMPER MOUNT TOWERS WITH INTERMEDIATE MOUNTS AND SLIDE BUMPER INTO PLACE. INSTALL THE SUPPLIED 1/2" MOUNTING BOLTS BUT DO NOT TIGHTEN FULLY. IT MAY BE HELPFUL TO SUPPORT BUMPER WITH A FLOOR JACK STAND DURING INSTALL. REPEAT FOR OTHER SIDE.

THIS WILL AT MINIMUM REQUIRE TWO PEOPLE TO HOLD THE BUMPER AND A THIRD PERSON TO INSTALL THE SUPPLIED HARDWARE.

B) ADJUST THE BUMPER TO ACHIEVE GOOD VISUAL ALIGNMENT AS FOLLOWS:

1. ADJUST "CASTOR" WITH MOUNTING BRACKET BOLTS.
 2. ADJUST IN/OUT, UP/DOWN, AND LEFT/RIGHT WITH THE INTERMEDIATE MOUNT BOLTS.
- ALLOW 0.5" GAP FROM ALL PAINTED SURFACES FOR FRAME FLEX.

D. TIGHTEN ALL FASTENERS, BEGINNING WITH FRAME MOUNTS. NEXT, TIGHTEN ALL MOUNT TO BUMPER FASTENERS.

