

American Made = American Jobs



IRON CROSS AUTOMOTIVE INC.

2014 Toyota Tundra
Front Bumper Installation

20/22/24-715-14 30-715-14

Installation Instructions

Tools Required

- Socket Wrench with extension
- 3/4", 12MM, & 19MM Sockets
- 3/4", 12MM Box End Wrench
- Flat and Phillips Head Screw Drivers
- Floor Jack and Wood Block

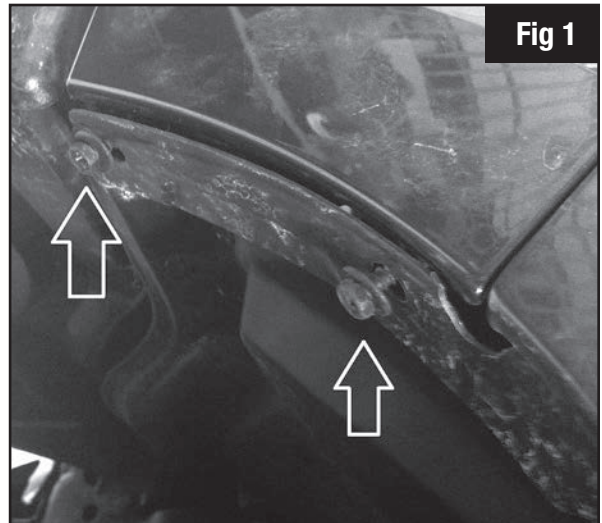
Hardware

12	1/2" Flat Washers
6	1/2" Lock Washers
6	1/2" Hex Bolts
6	1/2" Hex Nuts
1	Driver Side Bracket
1	Passenger Side Bracket

Stock Bumper Removal

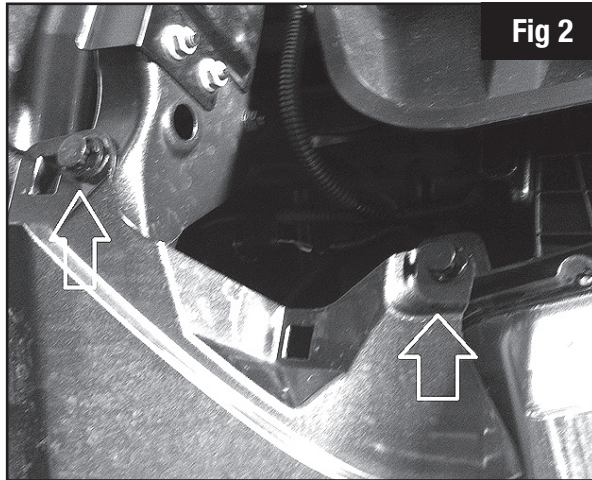
1. Open hood and remove (4) screws securing top of grill. Firmly pull grill shell from bottom edge to release (3) press in clips. Remove grill and set aside to be reinstalled.

2. Remove (2) screws attaching lower headlight valance that are located in the inner fender panel. Keep for reinstallation. **Fig 1**

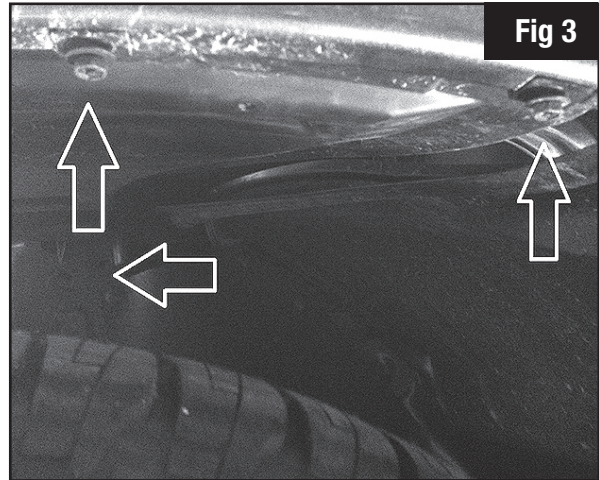


Stock Bumper Removal Continued...

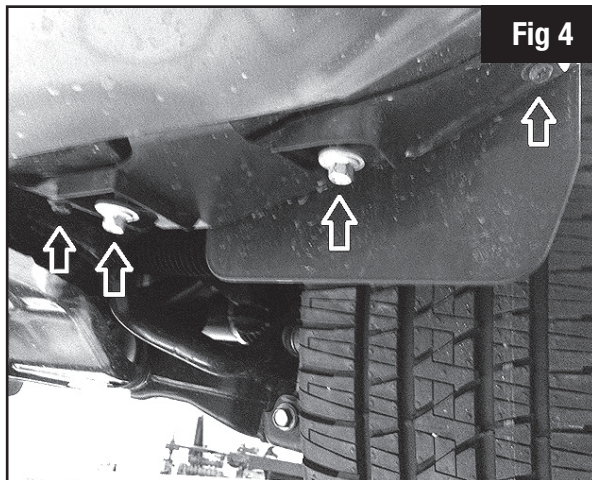
3. Pull out (2) plastic push clips that were covered by the grill attaching the headlight valance. Keep for reinstallation. **Fig 2**



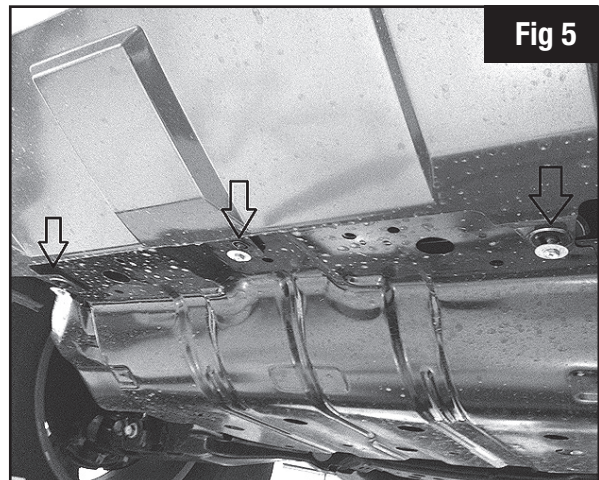
4. Remove the (3) screws attaching the inner fender panel in front of the front wheel. Keep for reinstallation. **Fig 3**



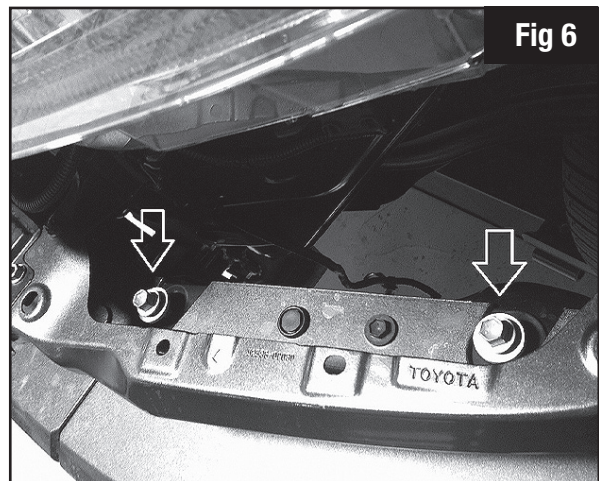
5. Remove (4) screws attaching inner fender panel and bumper cover. Remove inner fender panel and keep to be reinstalled later. **Fig 4**



6. Unscrew (3) bolts holding on center of the bumper cover to the skid pan. **Fig 5**

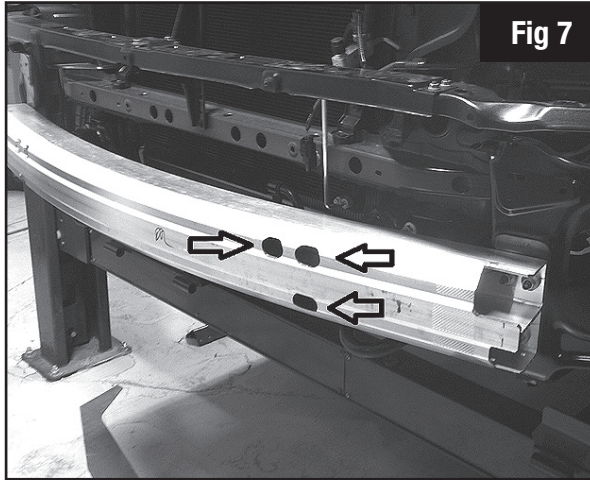


7. Unbolt (4) bolts holding on top of bumper cover, located under the headlights. Remove bumper cover. **Fig 6**

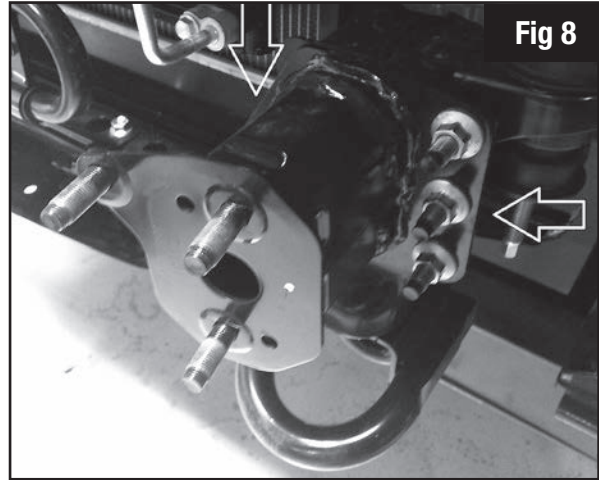


Stock Bumper Removal Continued...

8. There are (6) nuts that need to be taken off holding on the front crash bar. Remove nuts and crash bar. **Fig 7**



9. Unbolt (4) nuts holding on crash bar bracket. Remove the bracket and keep the nuts to install your new Iron Cross bumper brackets. **Fig 8**

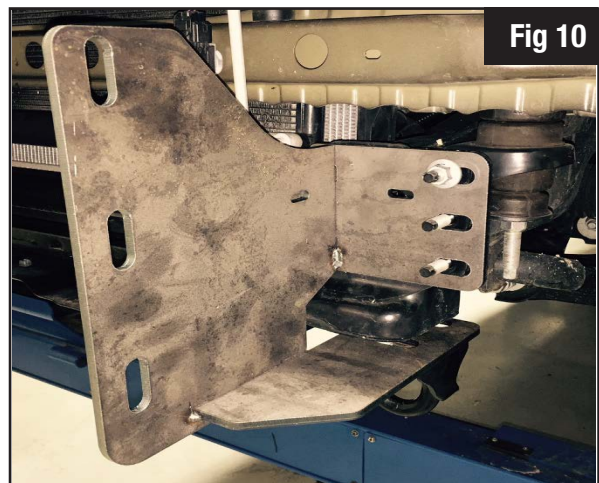
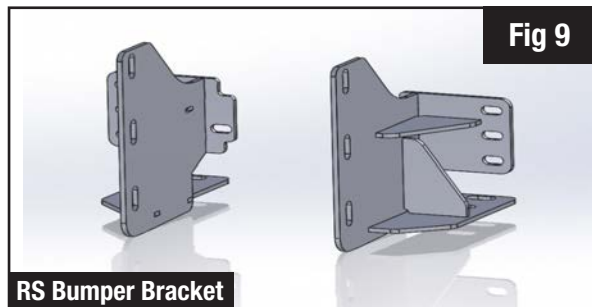


10. Remove tow hooks.

11. Reinstall the lower headlight valance at this time. Use the factory hardware and reinstall in opposite order it was taken off.

Front Bumper Installation

1. Install your new Iron Cross bumper brackets as shown. This is the drivers side in the picture. The brackets go to the inside of the mounts in the bumper. Set the outside length from bracket to bracket under 27.5", that will allow for the bumper brackets to go inside the mounts on the bumper. Reinstall the tow hooks and leave all hardware hand tight for final adjustment. **Fig 9 & Fig 10.**



2. With help from a friend install your Iron Cross bumper. Hand tighten the bumper mounts to the brackets. Align the bumper left to right and then tighten the brackets to the frame. Now align the bumper up and down. Make sure to leave a 1/2" gap between all body parts and the bumper. Your body is rubber mounted so it flexes. Tighten all hardware to 60 ft/lbs.

3. Reinstall your factory fender lining. Some trimming may be required.