

# IRON CROSS AUTOMOTIVE INC.

## INSTALLATION INSTRUCTIONS FRONT WINCH BUMPER

### PARTS LIST

12	1/2" FLAT WASHERS
6	1/2" LOCK WASHERS
6	1/2" HEX BOLTS
6	1/2" HEX NUTS
1	BUMPER
1	DRIVER SIDE BRACKET
1	PASSENGER SIDE BRACKET

**20/22/24-625-03**  
**03-05 DODGE RAM 2500**

**20/22/24-625-06**  
**06-08 DODGE RAM 2500**

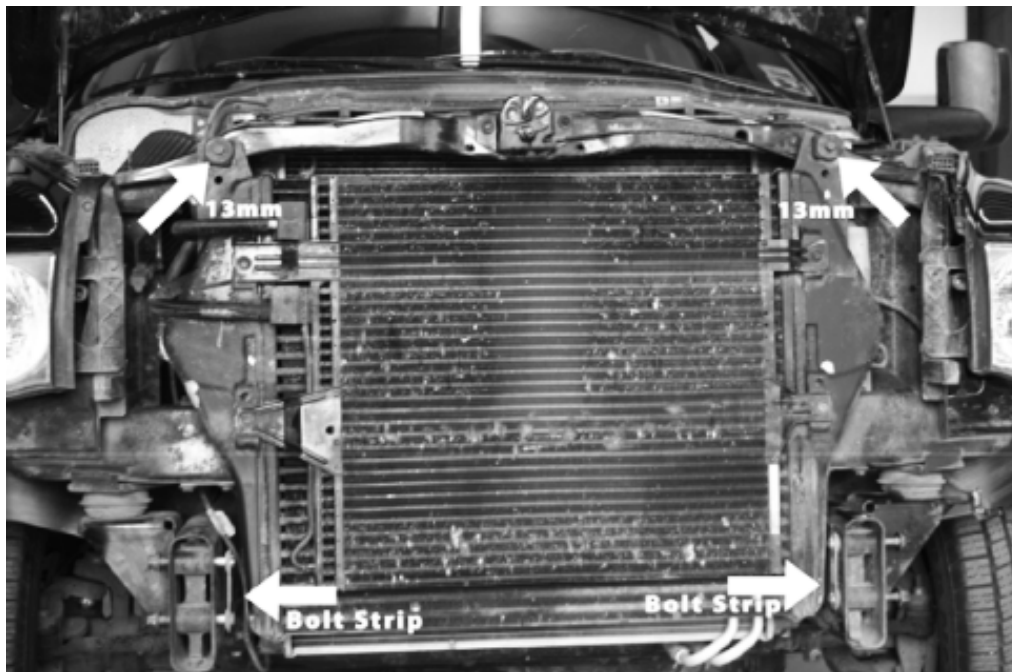
**20/22/24-625-10**  
**10-14 DODGE RAM 2500**

### BUMPER REMOVAL

A) Open hood.

B) Diesel Only: Remove two 10mm (or 13mm) bolts holding top of intercooler to radiator support (Picture #1).

C) Disconnect fog light wiring harness located under the driver-side bumper. Zip tie to hole in body.



D) Remove four 18mm nuts and two bolt strips holding OEM bumper to frame rails. Diesel only: Move one side of intercooler at a time to remove bolt strips (Picture #2). NOTE: Be careful not to damage intercooler fins.



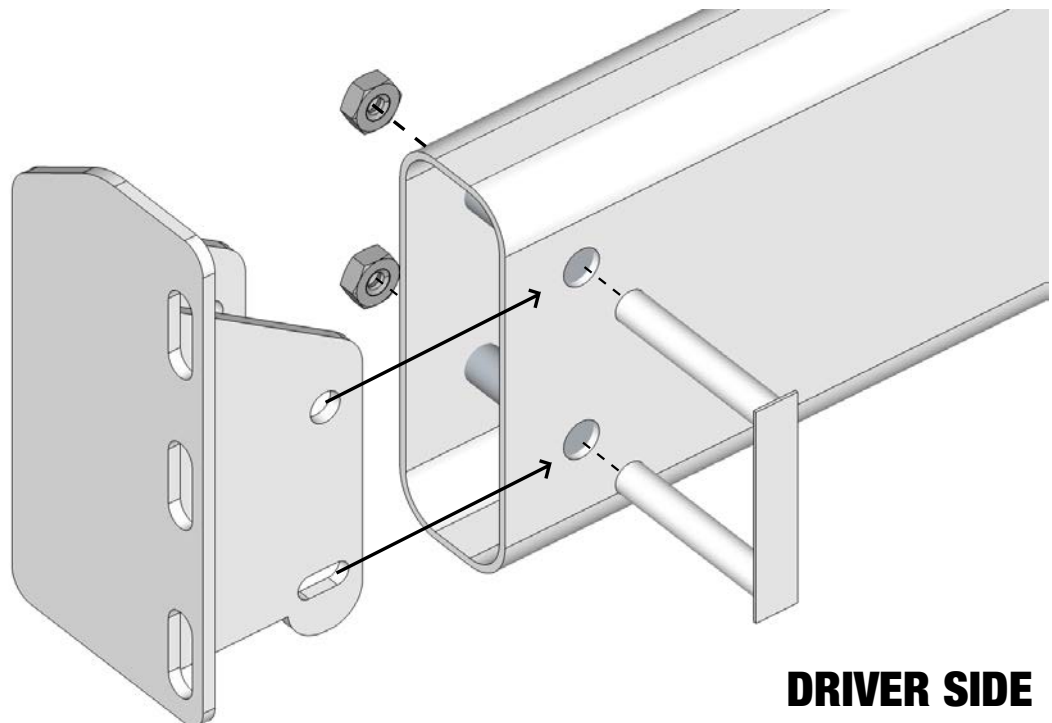
E) Remove OEM bumper

F) Re-install and tighten two bolts holding top of intercooler to radiator support (Picture #1).

## **BRACKET INSTALL**

A) Place bracket on to frame as shown in image. You will install the factory "U-Bolt" and nuts on the opposite side from where it was removed. Tighten down firmly.

B) Repeat bracket install on passenger side.



## BUMPER INSTALL

A) CAREFULLY ALIGN BUMPER MOUNT TOWERS WITH INTERMEDIATE MOUNTS AND SLIDE BUMPER INTO PLACE. INSTALL THE SUPPLIED 1/2" MOUNTING BOLTS BUT DO NOT TIGHTEN FULLY. IT MAY BE HELPFUL TO SUPPORT BUMPER WITH A FLOOR JACK STAND DURING INSTALL. REPEAT FOR OTHER SIDE.

THIS WILL AT MINIMUM REQUIRE TWO PEOPLE TO HOLD THE BUMPER AND A THIRD PERSON TO INSTALL THE SUPPLIED HARDWARE.

B) ADJUST THE BUMPER TO ACHIEVE GOOD VISUAL ALIGNMENT AS FOLLOWS:

1. ADJUST "CASTOR" WITH MOUNTING BRACKET BOLTS.
  2. ADJUST IN/OUT, UP/DOWN, AND LEFT/RIGHT WITH THE INTERMEDIATE MOUNT BOLTS.
- ALLOW 0.5" GAP FROM ALL PAINTED SURFACES FOR FRAME FLEX.

D. TIGHTEN ALL FASTENERS, BEGINNING WITH FRAME MOUNTS. NEXT, TIGHTEN ALL MOUNT TO BUMPER FASTENERS.

