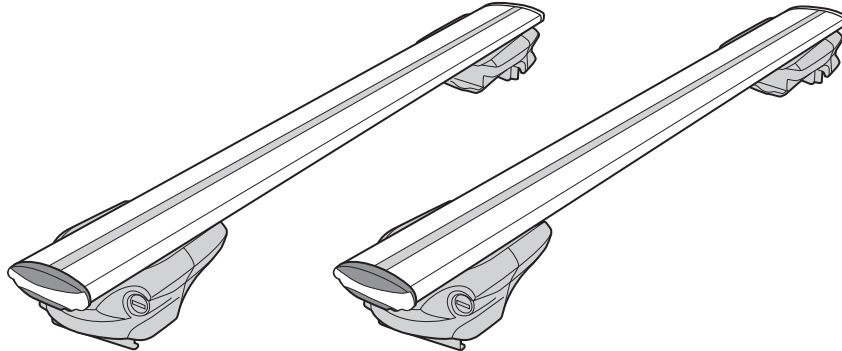




XS450

Installation Instructions

XS450

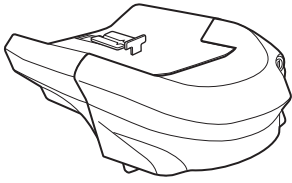


Aero Base Bar (Sold separately)

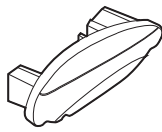
- Read the INNO common instruction manual (the accompanying sheet) as well.
- Keep this instruction manual in a safe place.
- Maximum load capacity: 75kg/165lbs. However, it varies depending on the car model.
- The maximum load capacity is 5 bicycles. However, it varies depending on the car model.
(Drive the car at 50 mph/80km/h or less when 5 bicycles are loaded.)
- Drive the car at 50 mph/80km/h or less when the attachment is installed outside the stay.

Product contents

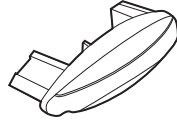
① **x4**



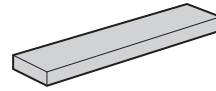
② **x2**



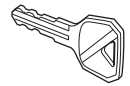
③ **x2**



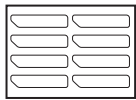
④ **x4**



⑤ **x2**



⑥ **x1**



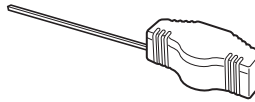
⑦ **x1**



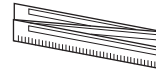
⑧ **x1**



⑨ **x1**



⑩ **x1**

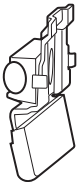


⑪ **x1**

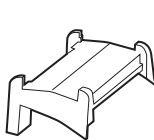


TR Fit Hooks (Sold separately)

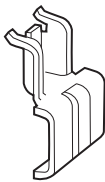
⑫



⑬



⑭



⑮



⑯



⑰ **x4**



⑱



x1

No.	EN : Parts	
①	Aero base stay	
②	End Garnish L	
③	End Garnish R	
④	Inner Block	
⑤	Key	
⑥	Specification sticker	
⑦	INNO Common Installation Instructions	
⑧	XS450 Installation instructions	
⑨	Torque knob	
⑩	Measuring Tape	
⑪	Bar sticker	
⑫	Inner hook	TR Fit Hooks (Sold separately)
⑬	Base	
⑭	Outer hook	
⑮	Washer	
⑯	Nylon washer	
⑰	Bolt	
⑱	TR mounting hook installation instructions	

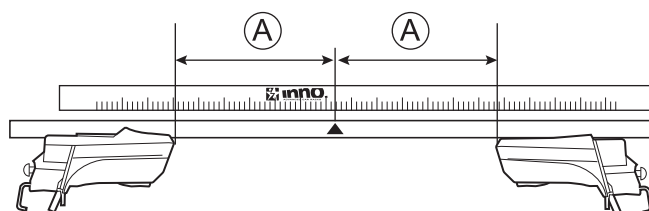
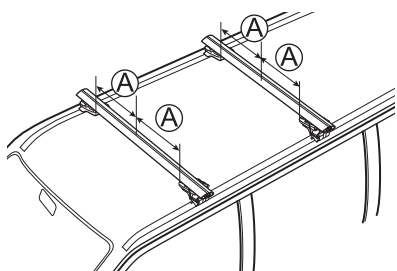
Additional Tool Required



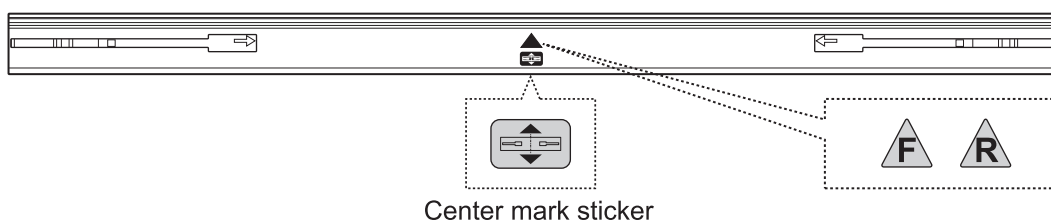
Scissors

TR mounting hook installation instructions (included with TR mounting hook) are also required.

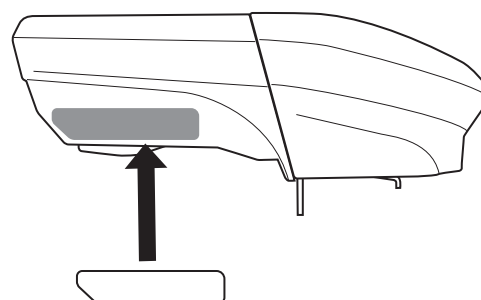
There are two aero base bars, one for front and another for rear.
Identify the front and rear aero base bar in accordance with the length of the stay internal dimension \textcircled{A} mentioned in the TR mounting hook installation instructions.
Bar sizes may be the same for the front and rear depending on the car model.



- 1** Affix the \blacktriangle bar sticker (\blacktriangle_F for front, \blacktriangle_R for rear) on the bottom face of the aero base bars (bars sold separately).

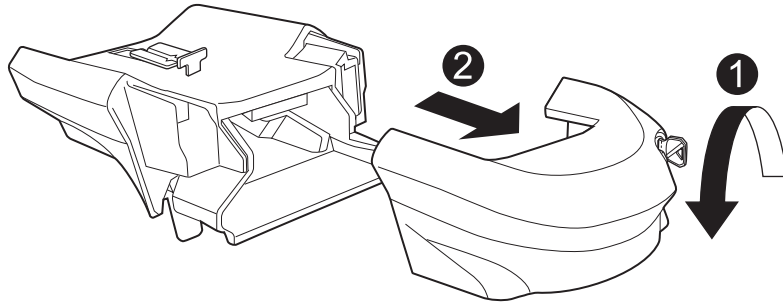


- 2** Affix the specification sticker in the relevant language on the stay.



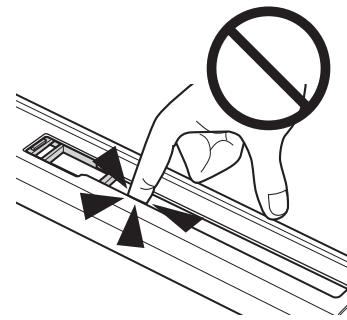
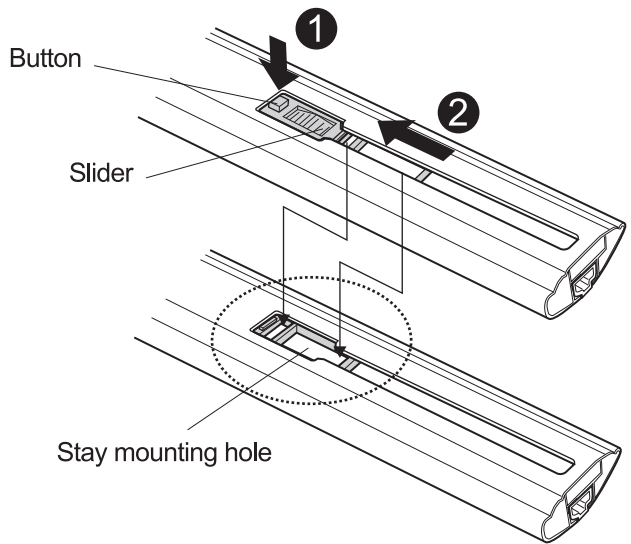
3

Unlock and remove the cover.



4

Press the button, slide the slider rail to reveal the mounting hole for the stay.

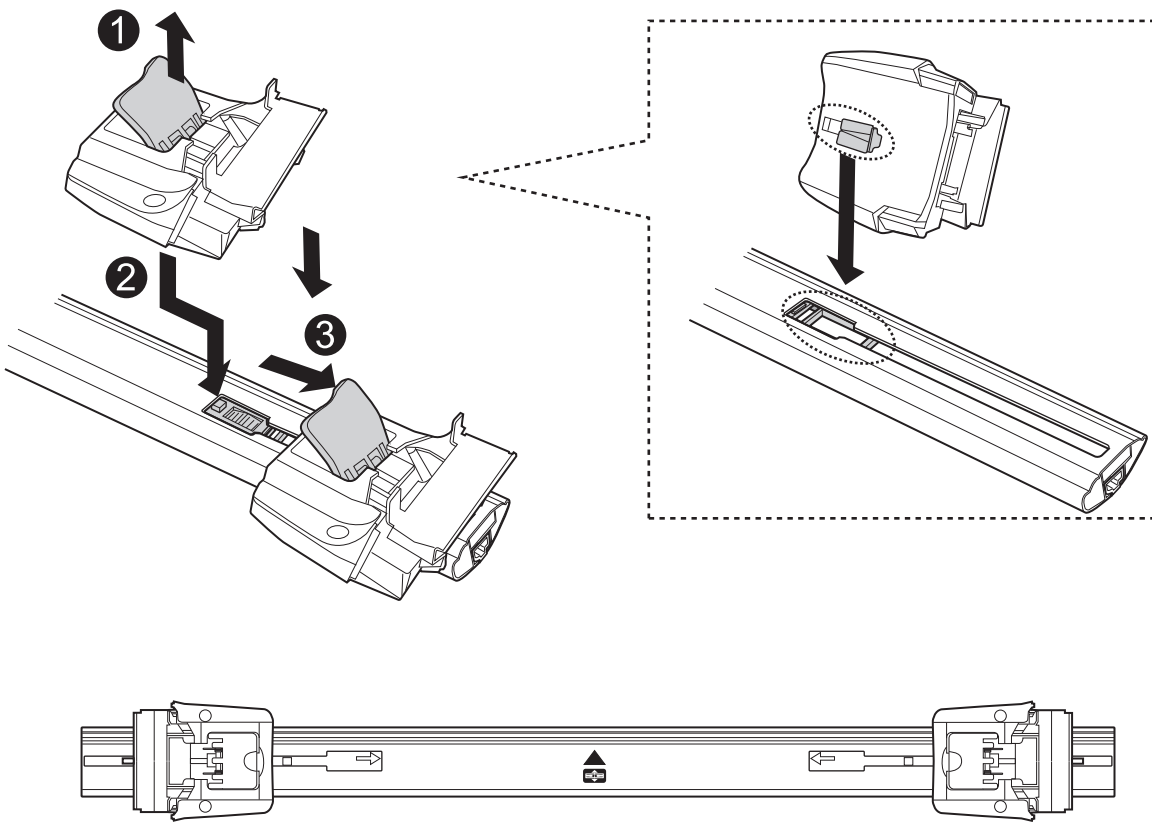


Do not insert your fingertip into the slit.

5

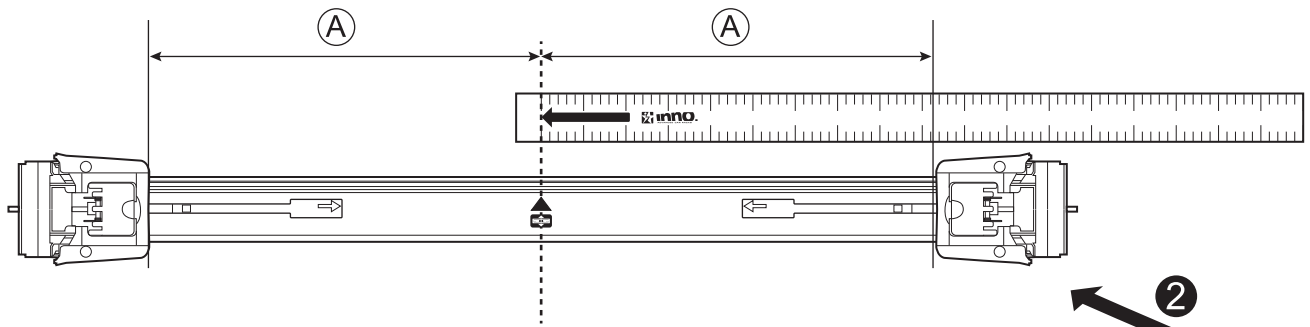
Insert the stay into the stay mounting hole and slide to the far end.
(Stay does not have a L or R.)

- ① Lift the lever.
- ② Keep the lever open, and insert the stay into the backside of the bar.
- ③ Slide it to the bar outer side.

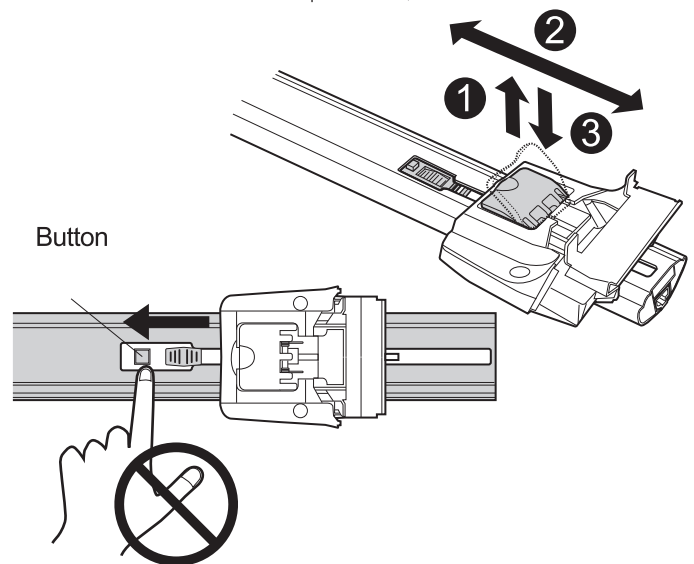


6

Align the measuring tape with the sticker position, then position the aero base bar in accordance with the stay inner dimension (A) described in the TR mounting hook installation instructions, in order to evenly position, and mount temporarily.

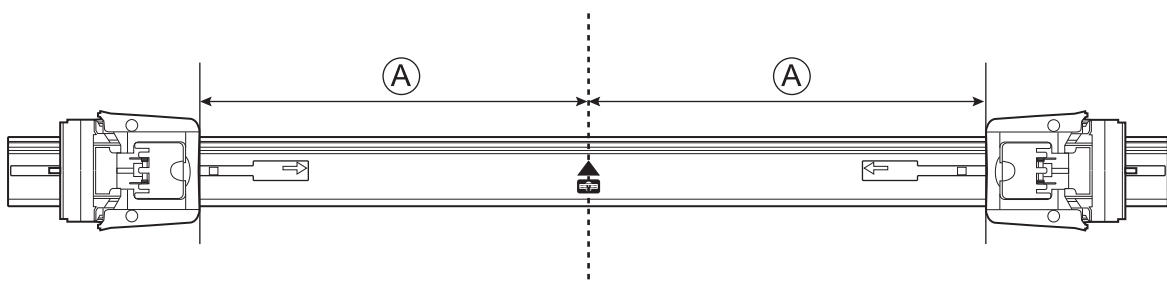


- ① Open the lever.
- ② With the lever open, slide the stay to adjust the position.
- ③ Close the lever and mount temporarily.



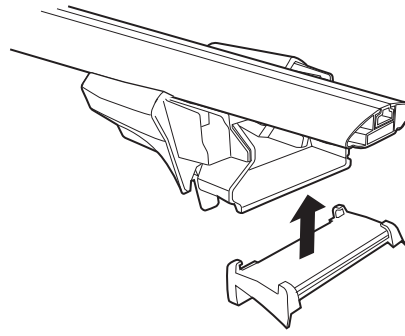
Adjust it in the movable range without pushing the button.

When not using the included measuring tape
In order to evenly position and center the bar between the stays, align the stay position with dimension (A) in the stay as described in the TR mounting hook installation instructions.



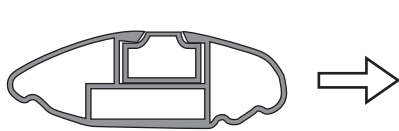
7

Install the base to the stay.



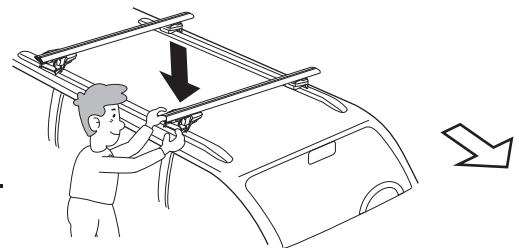
8

Confirm the bar direction, and temporarily place the rack on the vehicle.



Vehicle front side

Confirm the bar direction, and place the stay on the rail.

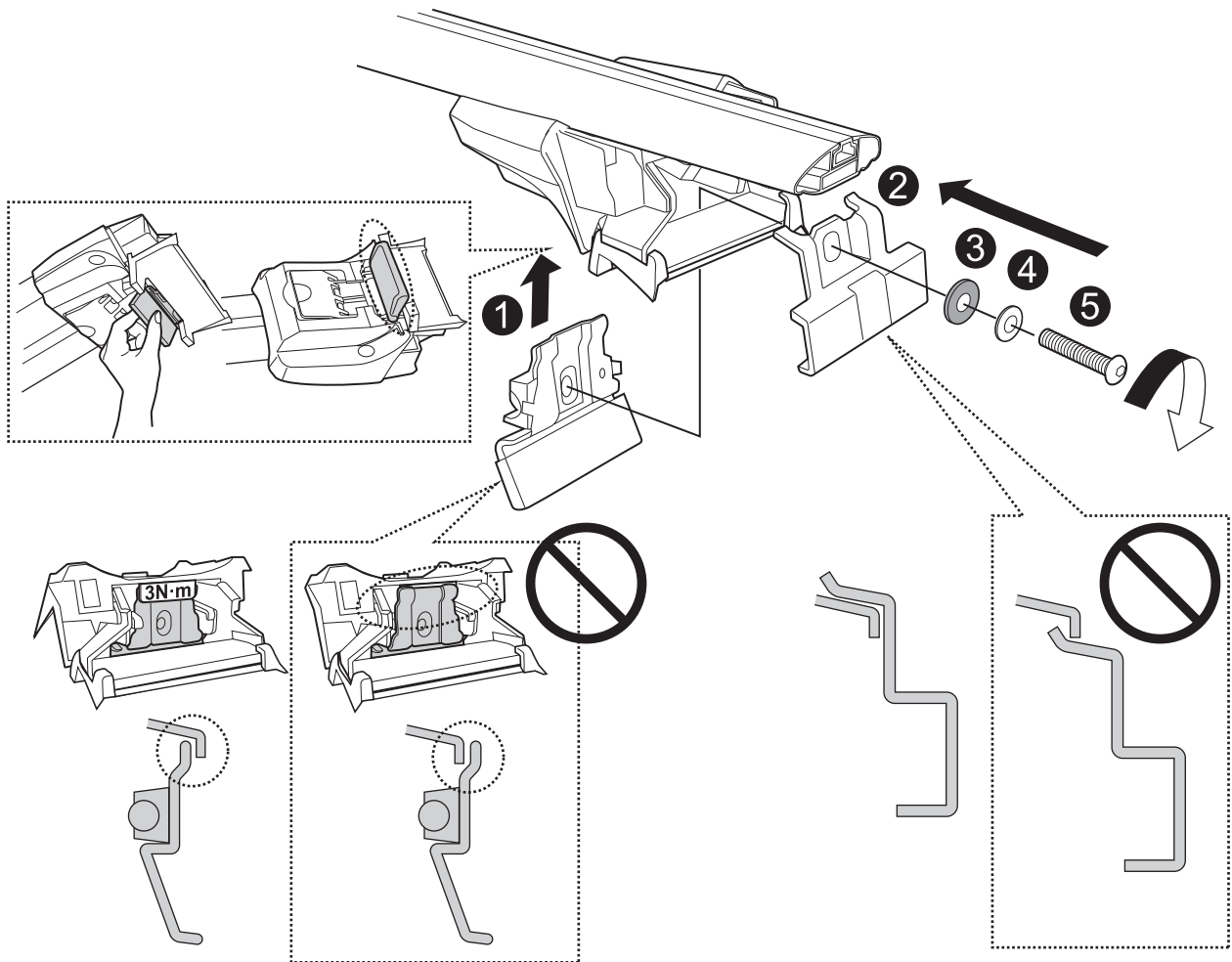


 Precautions

Temporarily place the rack in the mounting position described in the TR mounting hook installation instructions. The position can be adjusted depending on the model of your car. When changing the mounting position from the recommended length, adjust and keep a minimum distance between the front and rear by 24" (600mm).

9

Loosely assemble the ① inner hook ② outer hook ③ washer (black) ④ nylon washer (white) and ⑤ bolt to the stay in the order as shown below. (About 3 to 4 rotations)

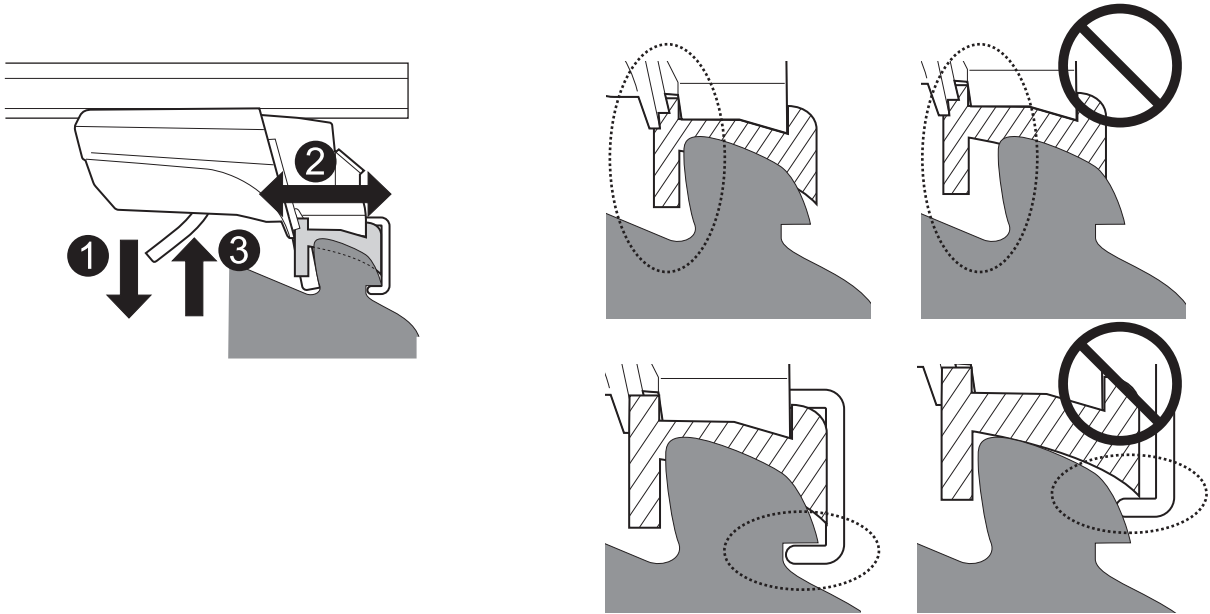


⚠ Precautions

Roof rail shape, base shape and hook shape will differ based on the car model. The illustration below is just an example. Always follow the mounting shape in the TR mounting hook installation instructions.

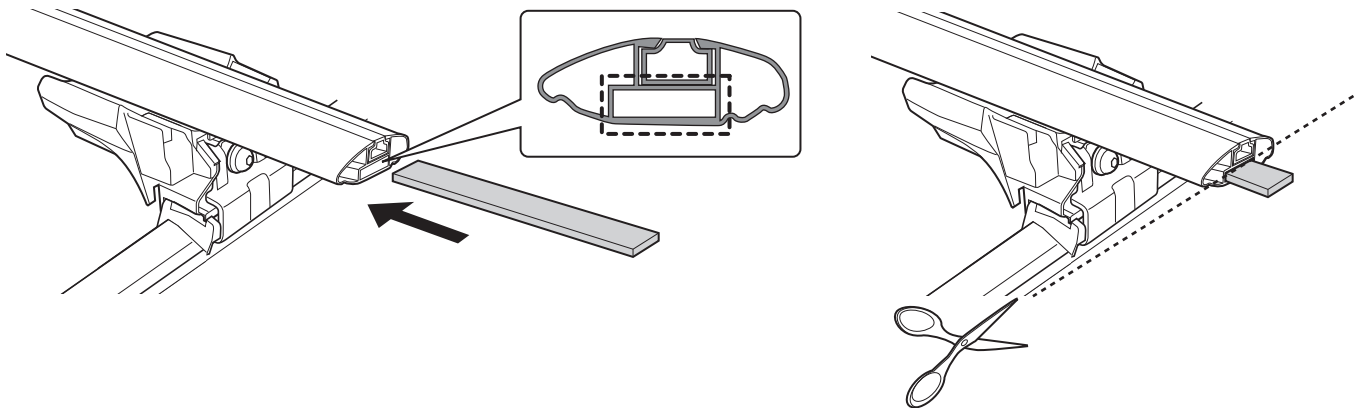
10

① Keep the lever open, and ② adjust the stay position. Adjust the outer hook and base position. ③ Close the lever after adjustment.



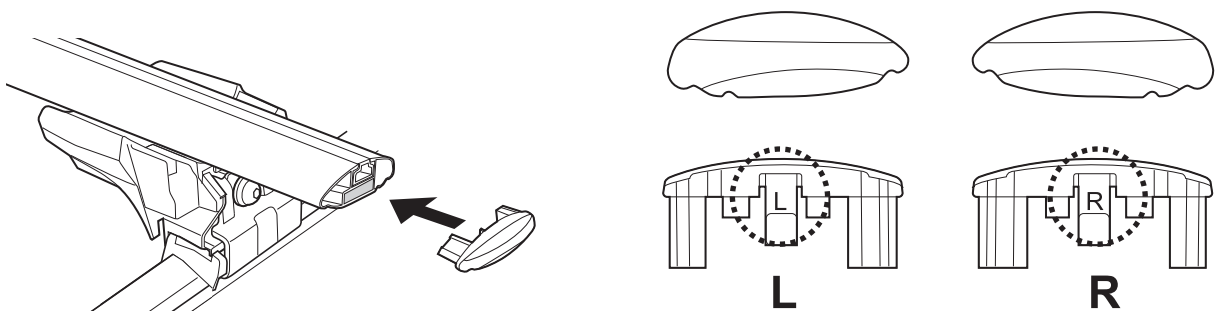
11

Insert the inner block into the inner bar end completely and cut the protruding portion.



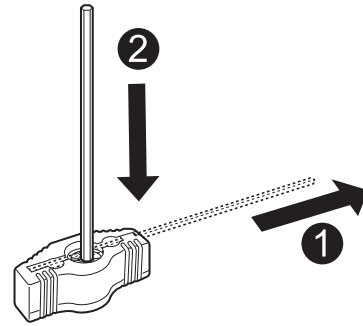
12

Attach the end garnish to the bar. (Confirm L and R of the end garnish before attaching.)



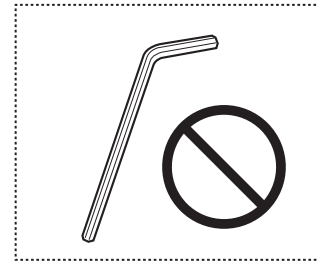
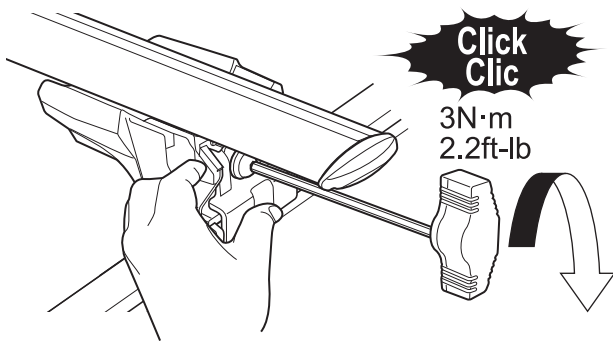
13

Assemble the included torque knob.



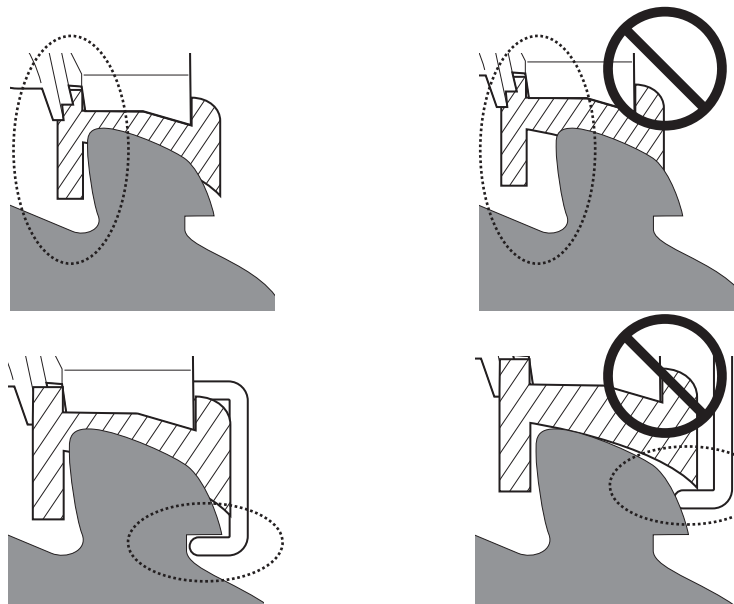
14

While pressing the inner and outer hook by hand, tighten the bolt until the included torque knob rotates freely.



15

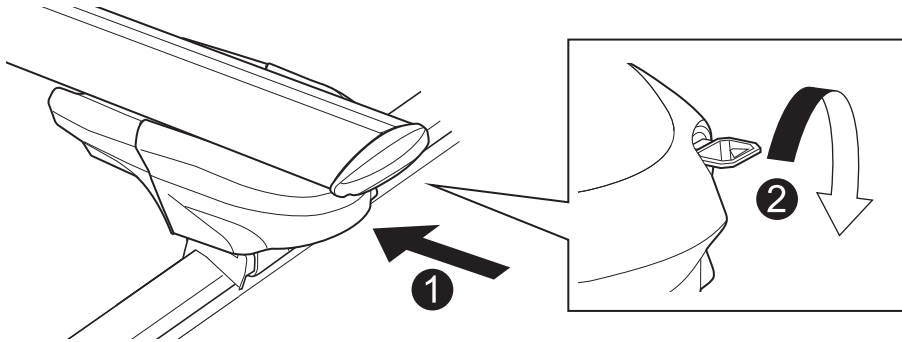
Check that the base and the hook are in their correct positions. Installation condition differs depending on the car model. Always follow the TR mounting hook installation instructions



It may result in the load falling off.

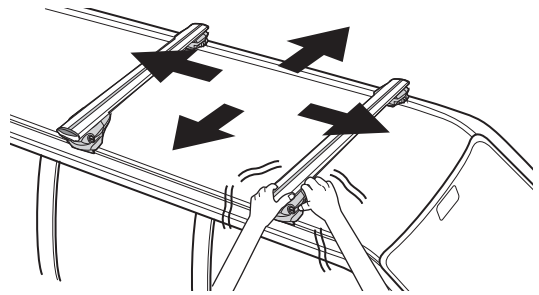
16

① Place the cover and ② lock. (The cover does not have a L or R.)



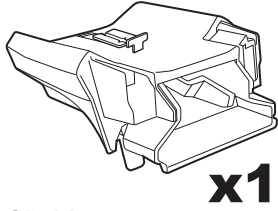
17

Shake the carrier to the front, rear, left, and right. If loose, tighten the bolt until the included torque knob rotates freely. 3N·m (2.2 ft-lb)

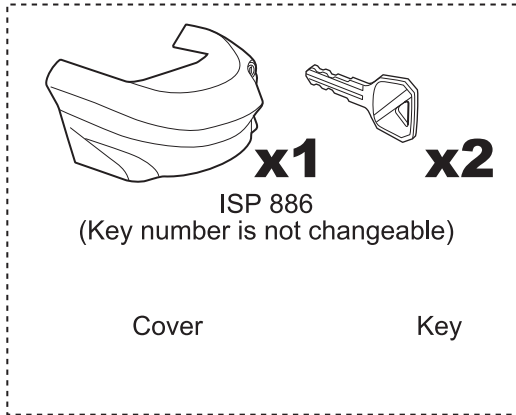


Repair parts

Please specify part name when ordering repair parts.



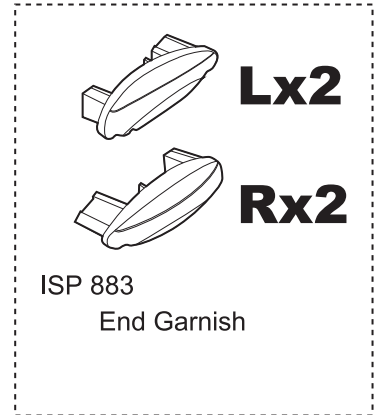
ISP 885
Stay main unit



ISP 886
(Key number is not changeable)

Cover

Key



Lx2

Rx2

ISP 883
End Garnish



Key



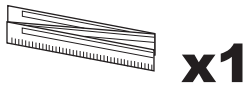
XS450 Installation Instructions



Bar sticker



ISP 887
Torque knob
(Long Wrench)



ISP 888
Measuring Tape



ISP 884
Inner Block