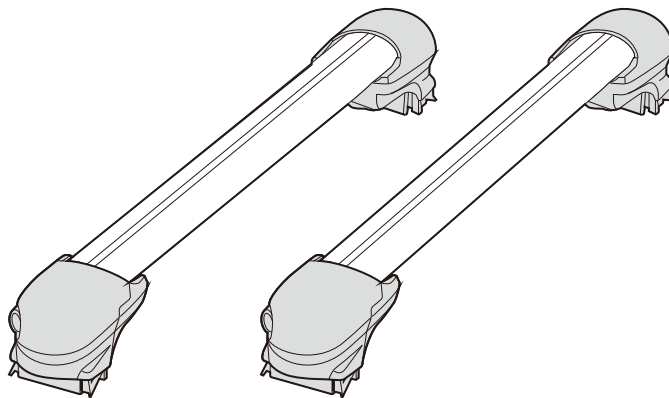




# XS400

## Installation Instructions

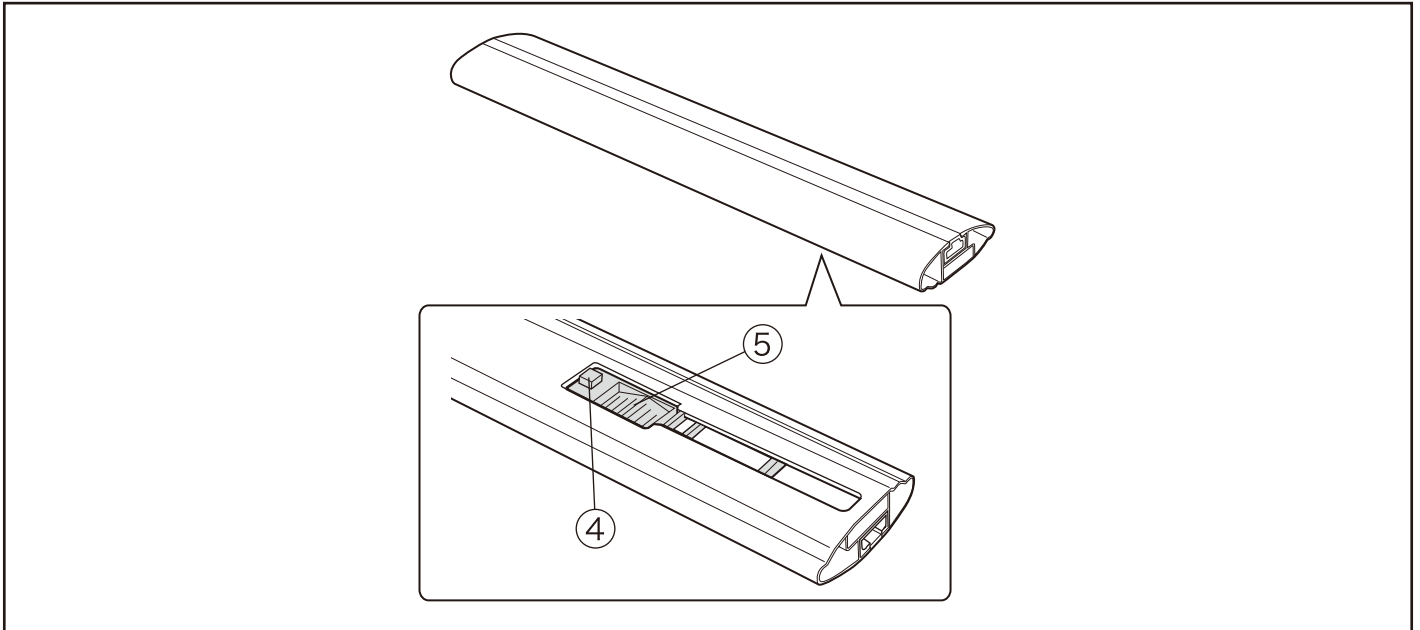
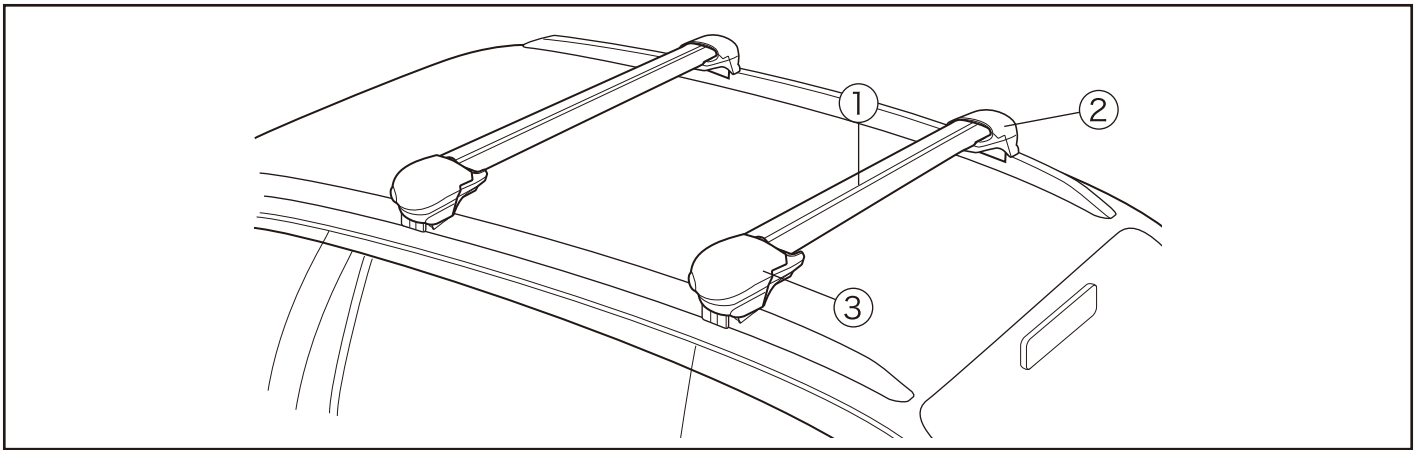
**XS400**



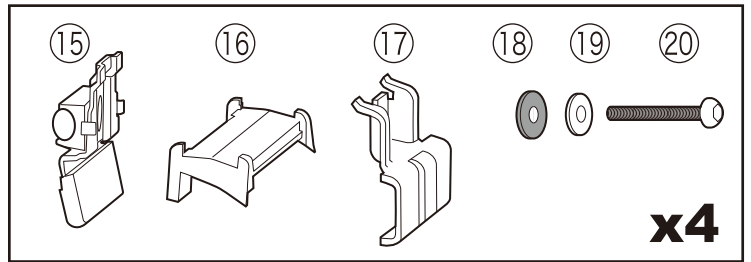
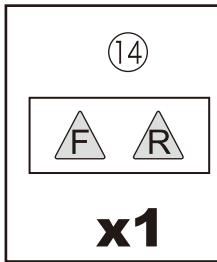
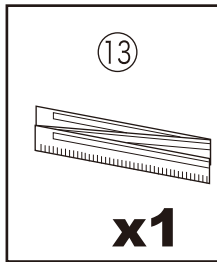
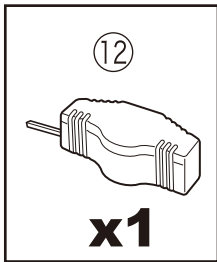
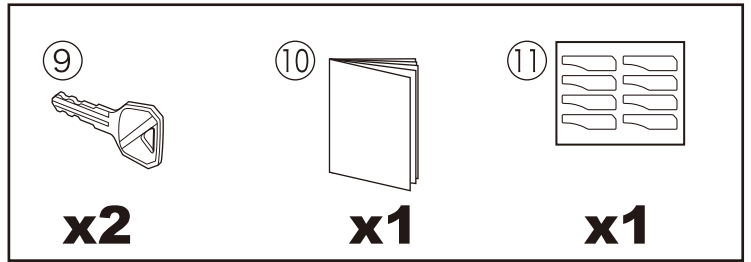
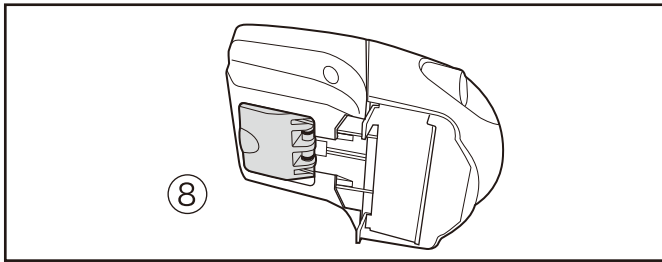
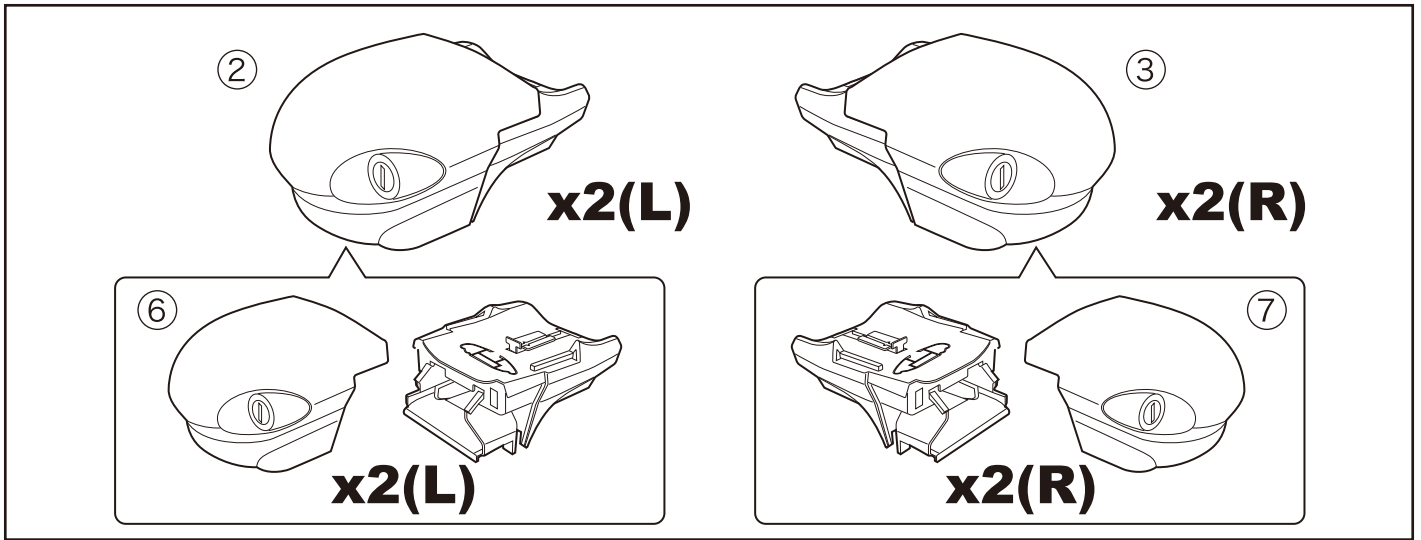
Please also read the included INNO common installation instructions.

Keep this installation instructions in a safe place.

Maximum load capacity: 75kg/165lbs. However, it varies depending on the car model.

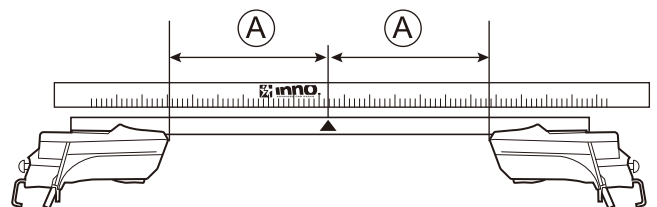
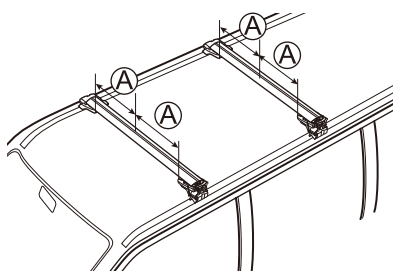


No.	
①	Bar (Sold separately)
②	Stay L
③	Stay R
④	Button
⑤	Slider
⑥	Cover L
⑦	Cover R
⑧	Lever
⑨	Key
⑩	Installation Instructions
⑪	Specification sticker
⑫	Torque knob
⑬	XS400 Measuring Tape
⑭	Bar sticker
⑮	Inner hook (Sold separately)
⑯	Base (Sold separately)
⑰	Outer hook (Sold separately)
⑱	Washer (Sold separately)
⑲	Nylon Washer (Sold separately)
⑳	Bolt (Sold separately)



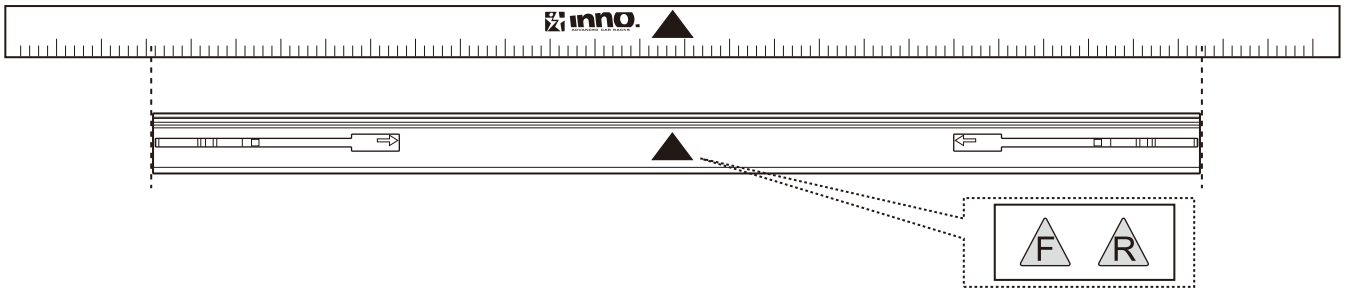
TR mounting hook installation instructions (included with TR mounting hook) are also required.

There is a designated bar for the front and the rear.  
Reference the TR mounting hook installation instructions to find the length of (A) to determine the front and rear bar. Bar sizes may be the same for the front and rear depending on the car model.



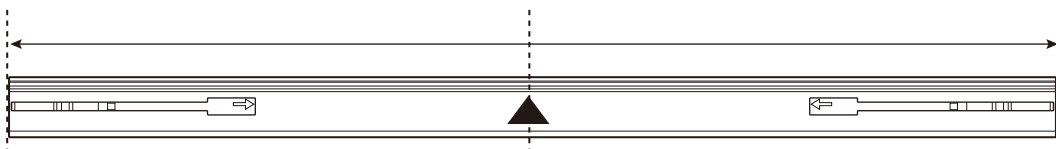
1

Align the bar position with the XS400 measuring tape (included) and apply the bar sticker (F for front, R for rear) to the center mark ▲.



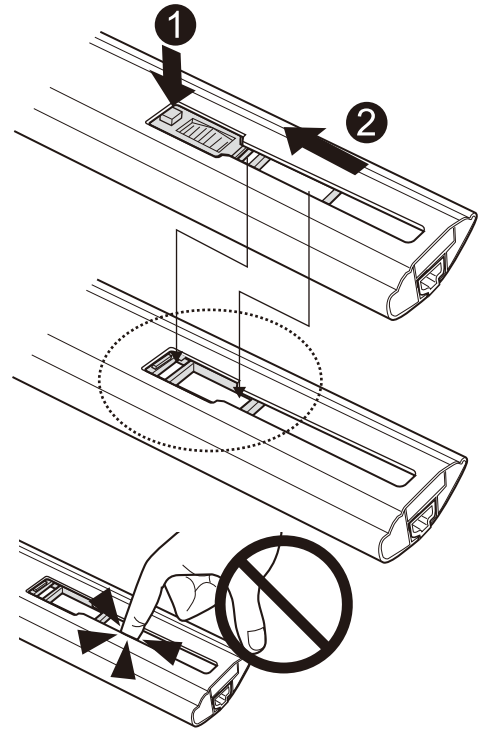
When not using the included XS400 measuring tape.

Measure the entire bar length and apply the bar sticker (F for front, R for rear) to the center of the bar.



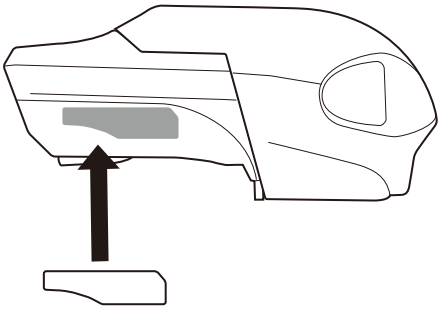
**2**

While pressing and holding the button, push the slider further into the bar.



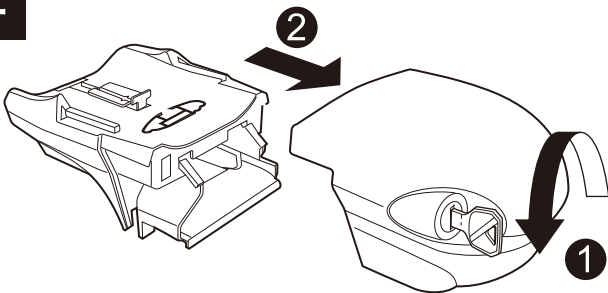
**3**

Affix the specification sticker in the relevant language on the stay.



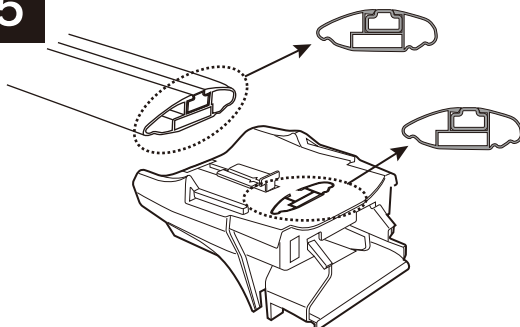
**4**

Unlock and remove the cover.



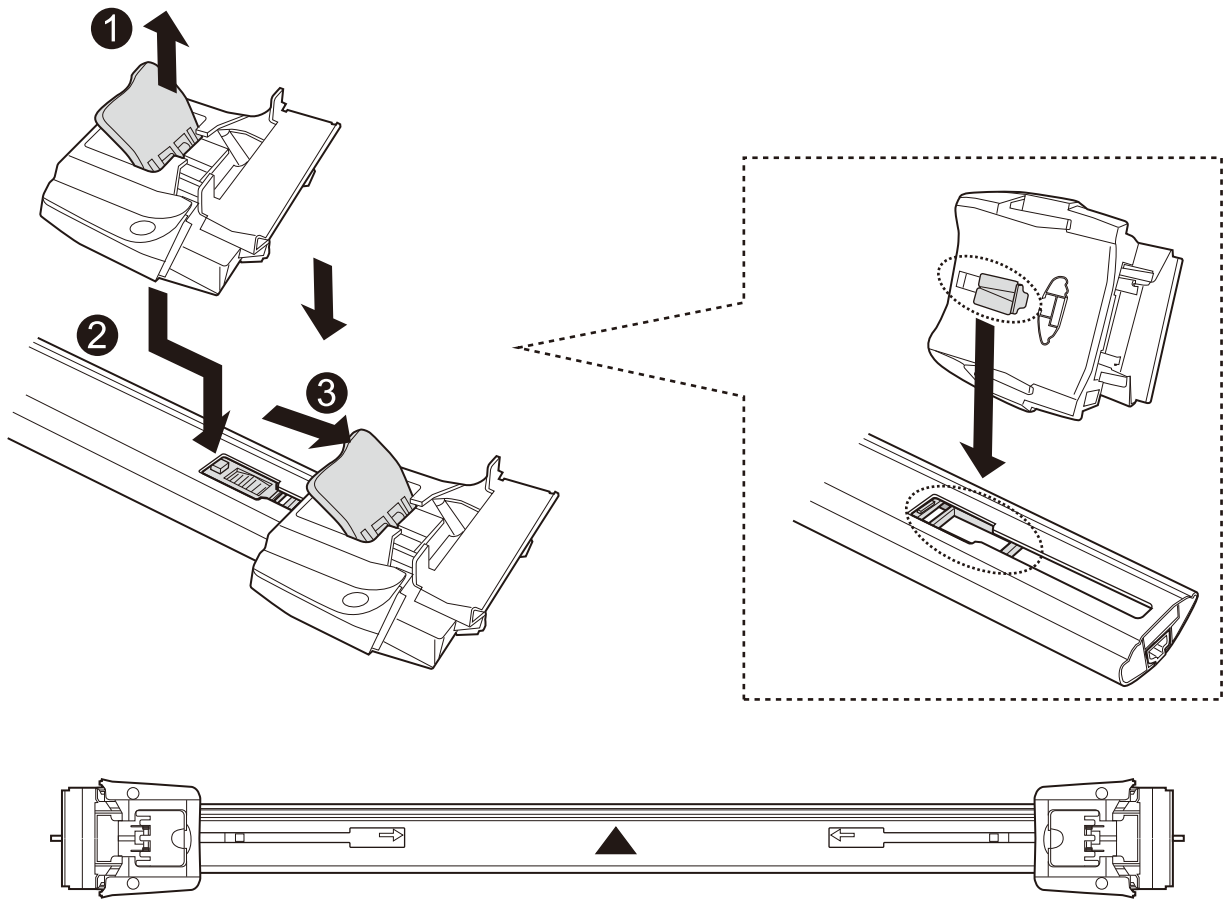
**5**

Match the bar direction with the stay L/R.



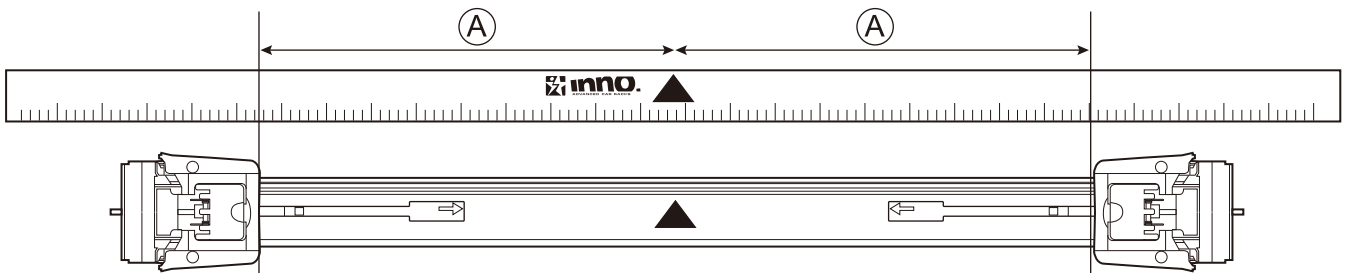
# 6

① Lift the lever. ② Keep the lever open, and insert the stay into the backside of the bar. ③ Slide it to the bar outer side.

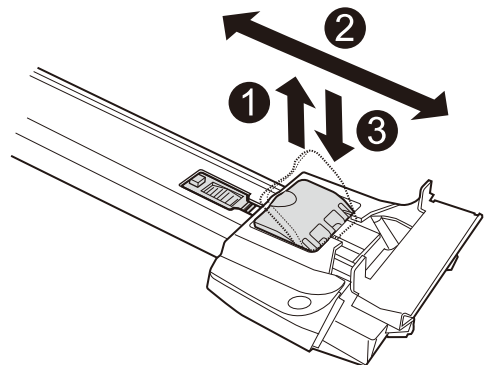


# 7

In order to evenly position and center the bar between the stays, align the XS200 measuring tape and the bar, then set the stay position in accordance with dimension (A) as described in the SU mounting hook installation instructions.



- ① Lift the lever.
- ② While keeping the lever open, slide the stay to align the position.
- ③ Temporarily close the lever.

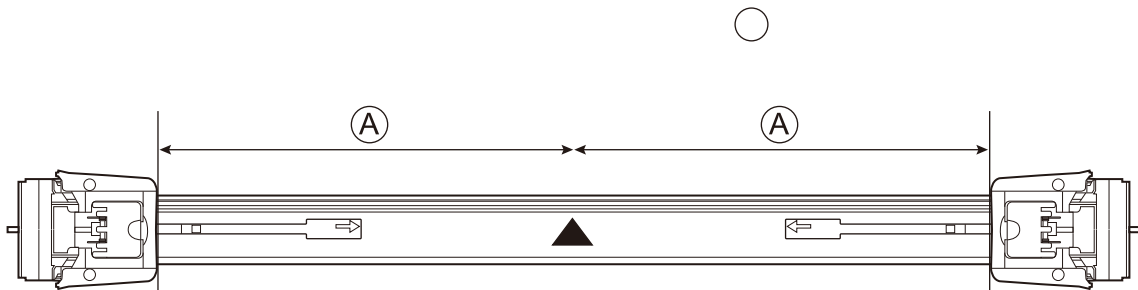




8

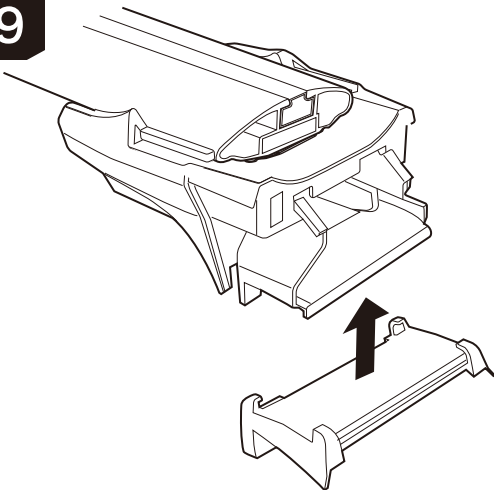
When not using the included XS400 measuring tape.

In order to evenly position and center the bar between the stays, align the stay position with dimension  $\textcircled{A}$  in the stay as described in the TR mounting hook installation instructions.

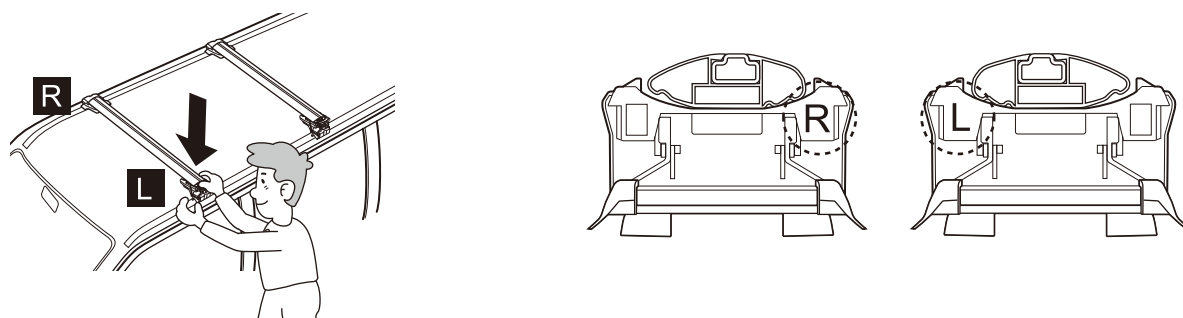


9

Install the base to the stay.

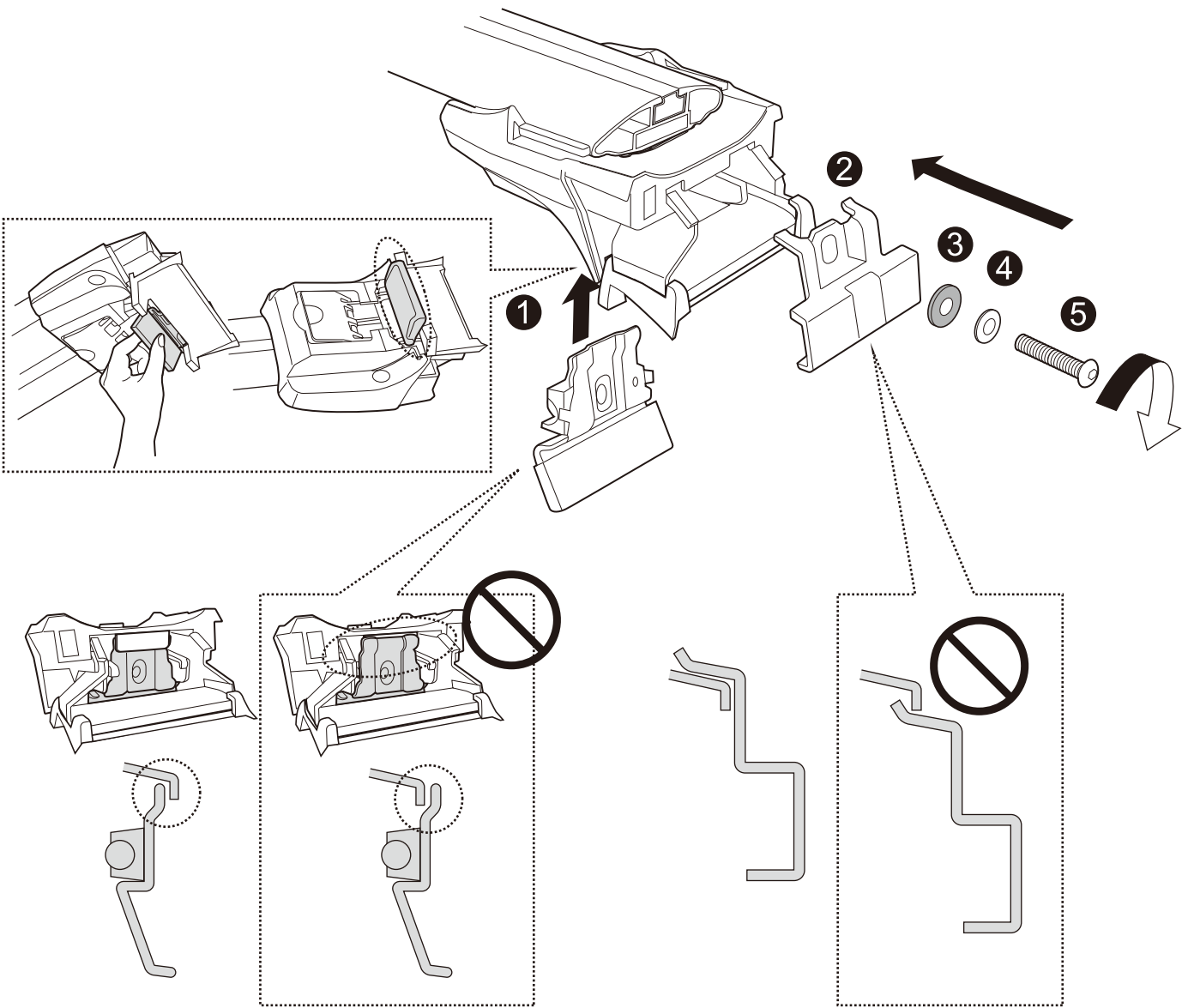


Temporarily place the carrier on the vehicle.



As for the mounting dimension, follow the recommended mounting position described in the TR mounting hook installation instructions.

Loosely assemble the ① inner hook ② outer hook ③ washer (black) ④ nylon washer (white) and ⑤ bolt to the stay in the order as shown below (About 3 to 4 rotations)

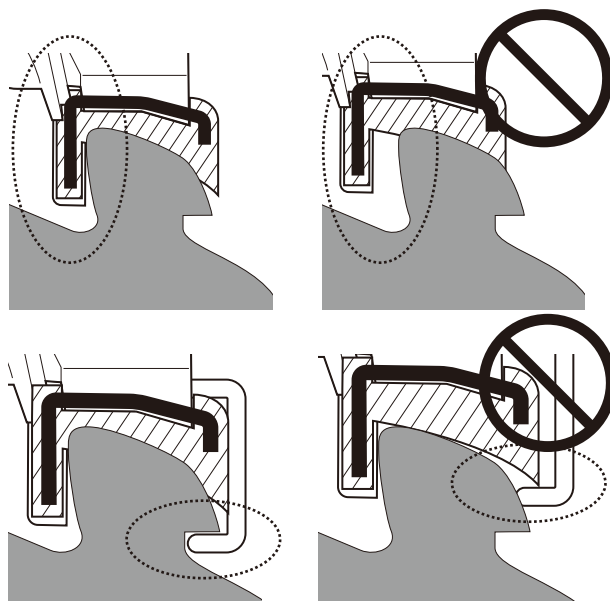
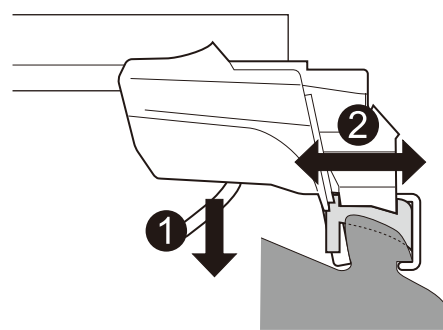


Roof rail shape, base shape and hook shape will differ based on the car model. The illustration below is just an example. Always follow the mounting shape in the TR mounting hook installation instructions.

The position can be adjusted depending on the model of your car. When changing the mounting position from the recommended length, adjust and keep a minimum distance between the front and rear by 23½" (600mm).

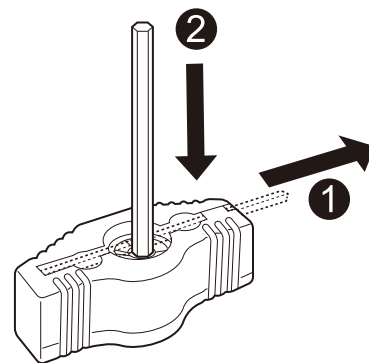
13

Keep the lever open, and adjust the stay position.

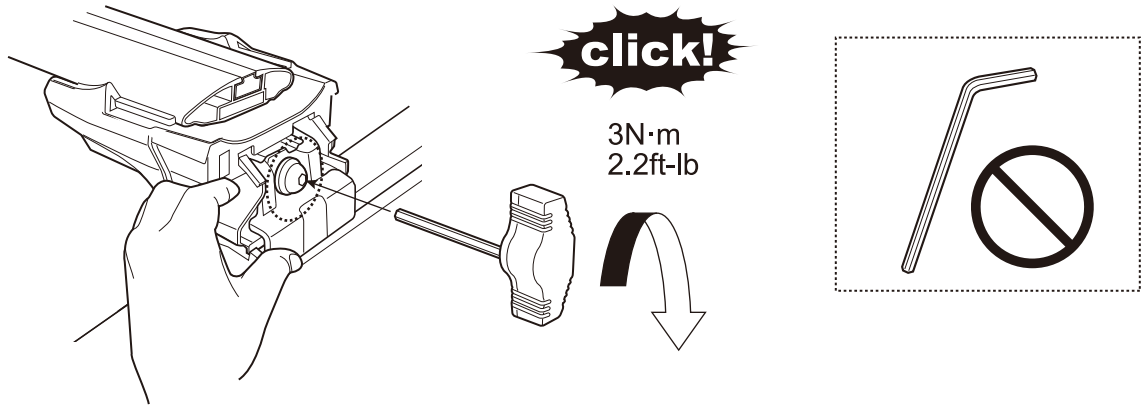


14

Assemble the included torque knob.



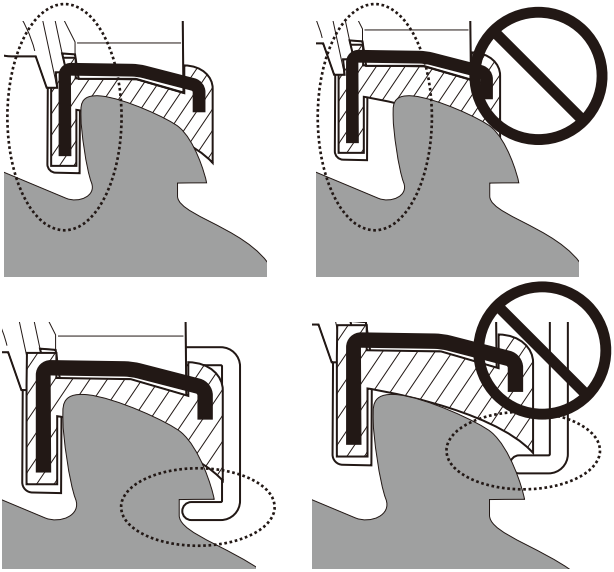
15



While pressing the inner and outer hook by hand, tighten the bolt until the included torque knob rotates freely.

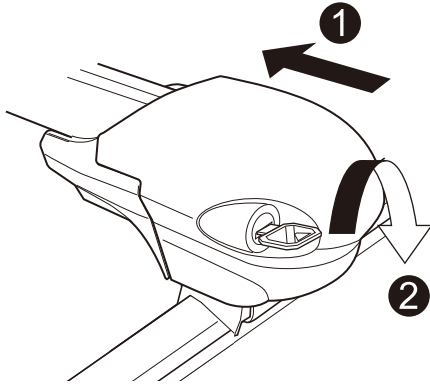
16

Check that the base and the hook are in their correct positions.



Installation condition differs depending on the car model. Always follow the TR mounting hook installation instructions

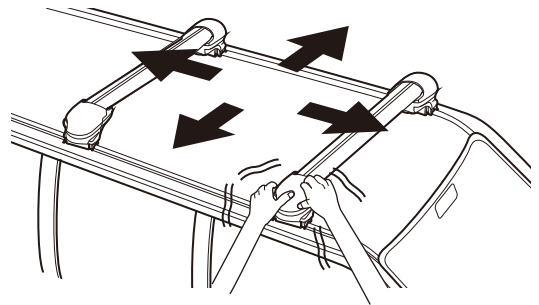
17



Check L and R, ① place the cover and ② lock. (When a cover cannot be set into place, check **5**, **7**, **10**, and **11**.)

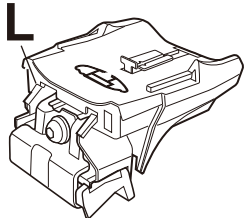
18

Shake the carrier to the front, rear, left, and right. If loose, tighten the bolt until the included torque knob rotates freely. 3N•m (2.2ft-lb)



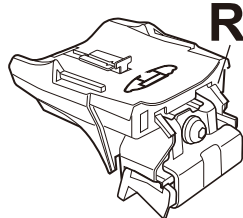
# Repair parts

Please specify part name when ordering repair parts.



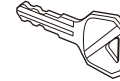
ISP 859

Stay L



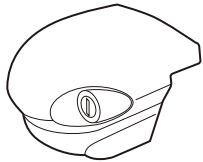
ISP 860

Stay R



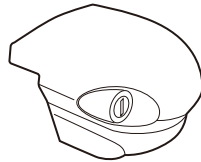
Key

**x2**



ISP 861

Cover L



ISP 862

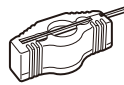
Cover R



Installation instructions

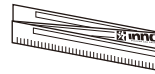


Bar sticker



ISP 863

Torque knob



We do not accept any liability for accidents, damage or injury caused by incorrect installation or use, modification, or natural disaster.