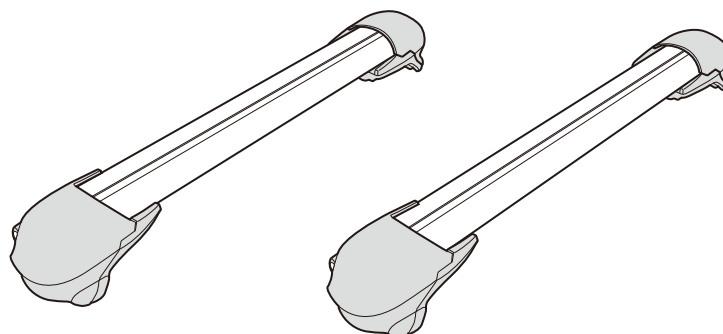




XS300

Installation Instructions

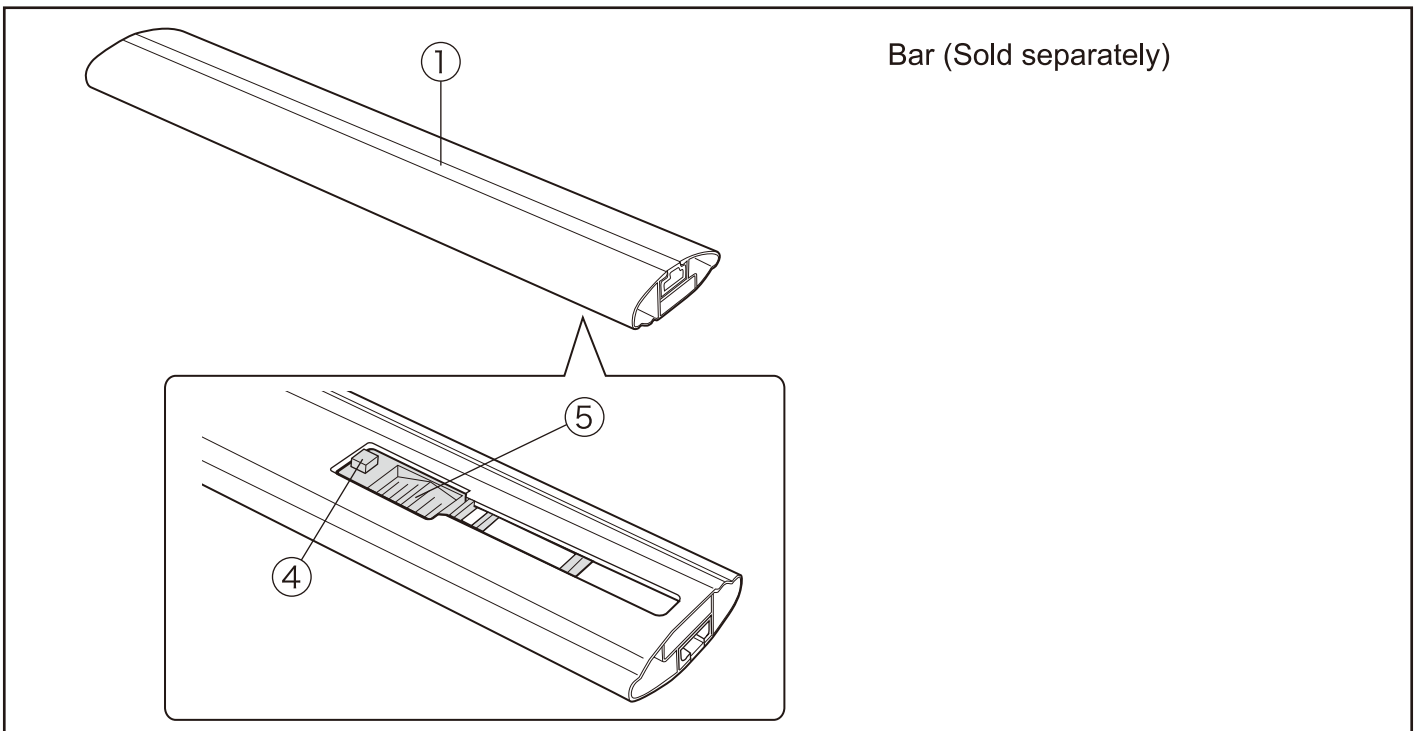
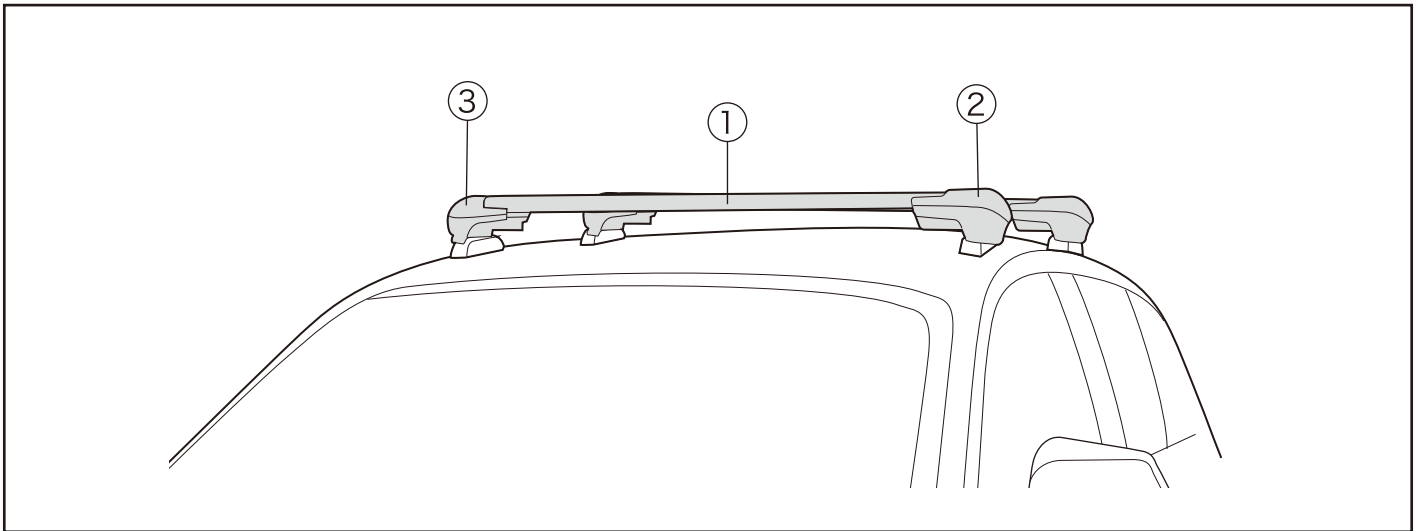
XS300



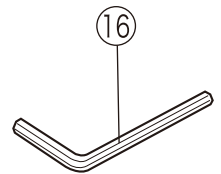
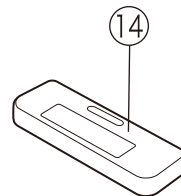
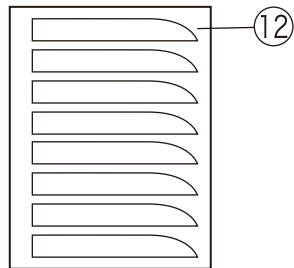
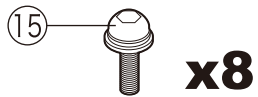
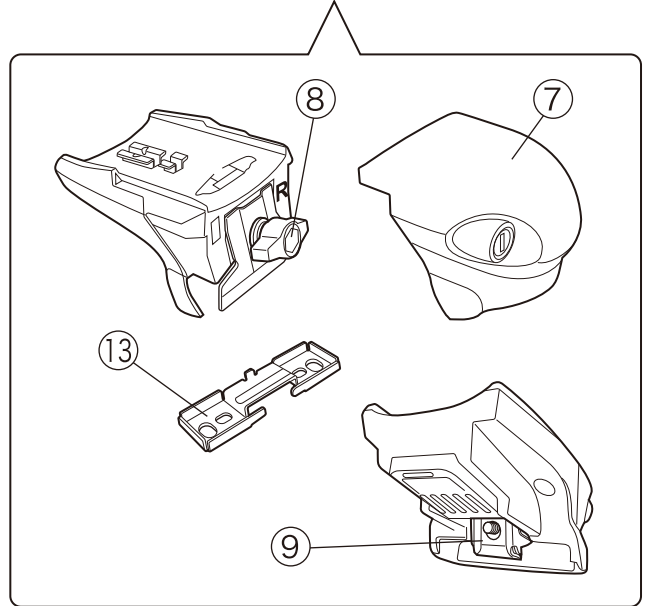
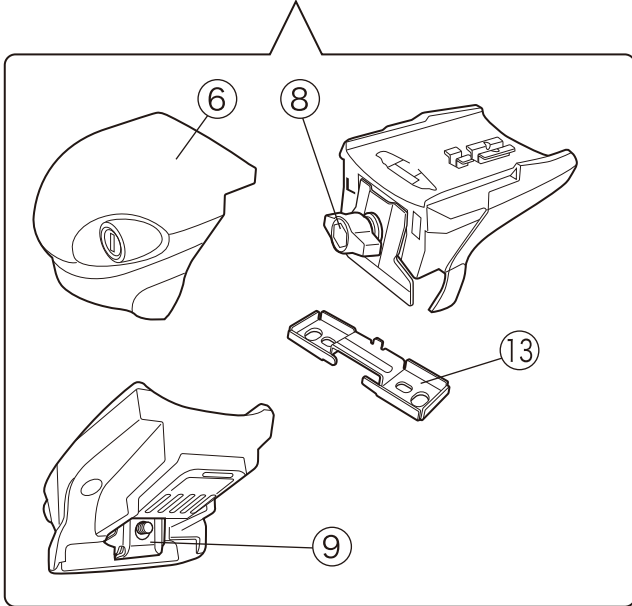
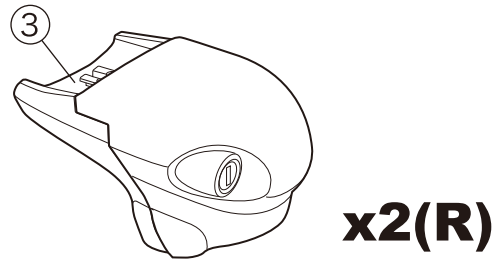
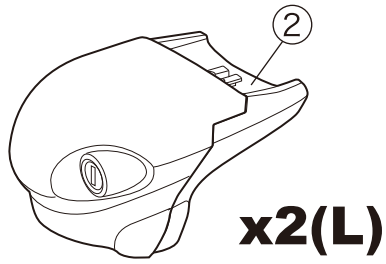
Read the INNO common installation instructions (the accompanying sheet) as well.

Keep this installation instructions in a safe place.

Maximum load capacity: 75kg/165lbs However it varies depending on the car model

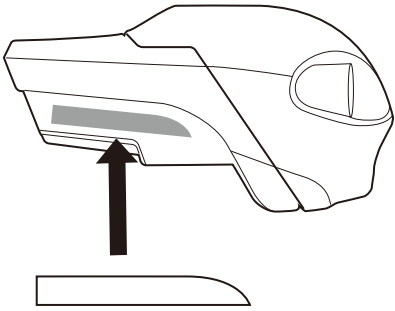


No.	
①	Bar
②	Stay L
③	Stay R
④	Button
⑤	Slider
⑥	Cover L
⑦	Cover R
⑧	Knob
⑨	Hook
⑩	Key
⑪	Installation Instructions
⑫	Specification sticker
⑬	Base Unit
⑭	Base Cover
⑮	Bolt [M6x15mm]
⑯	Hex Wrench [B=4]



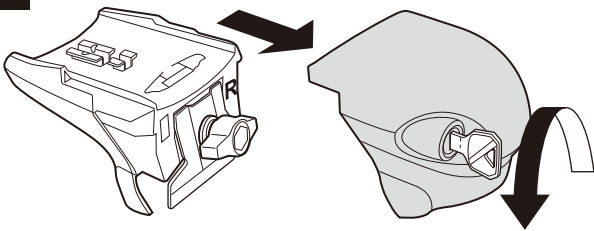
1

Affix the specification sticker in the relevant language on the stay.



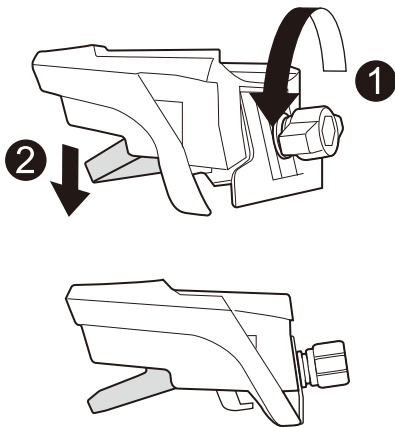
2

Unlock and remove the cover.

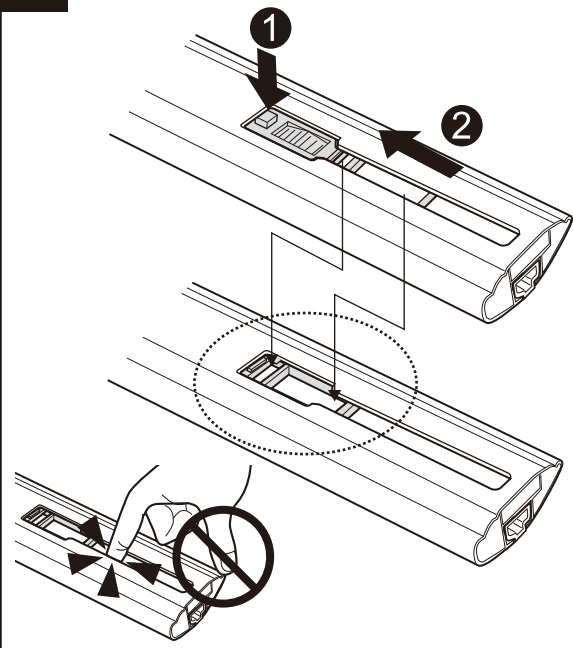


3

Loosen the knob, and lower the lever.
Loosen the knob to the extent that it does not fall off the nut



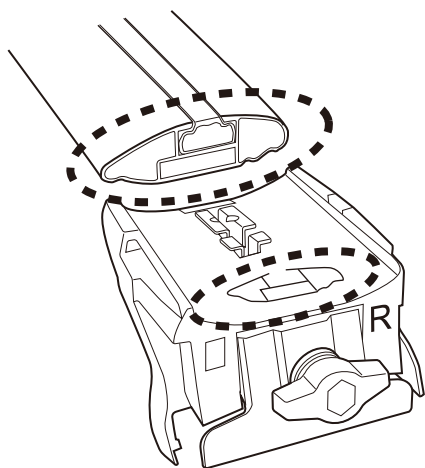
4



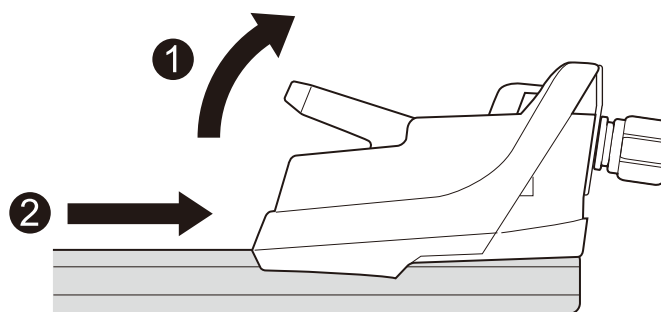
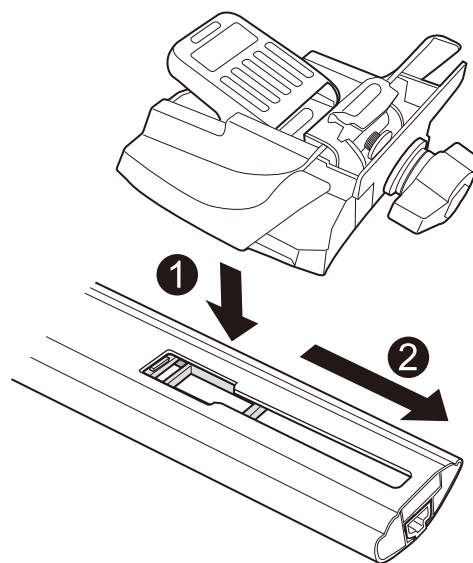
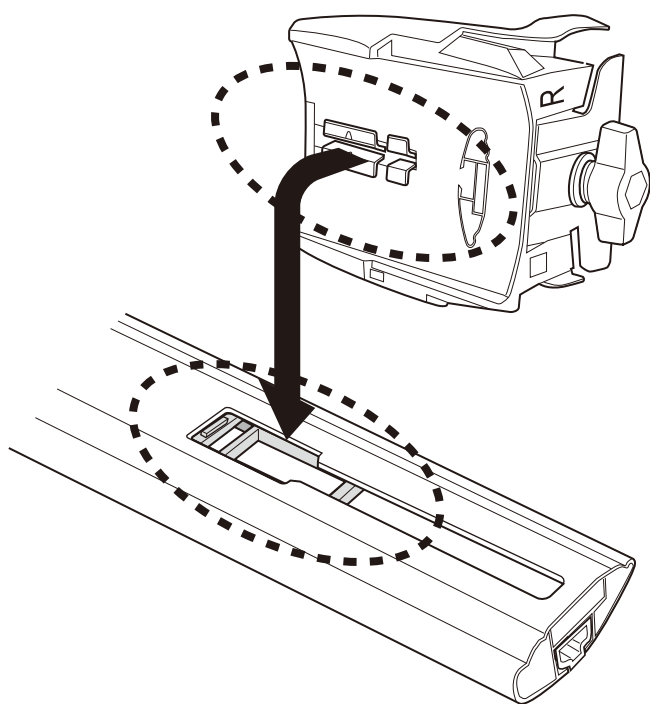
Press the button, and slide the slider until the mounting hole for the stay becomes visible.

5

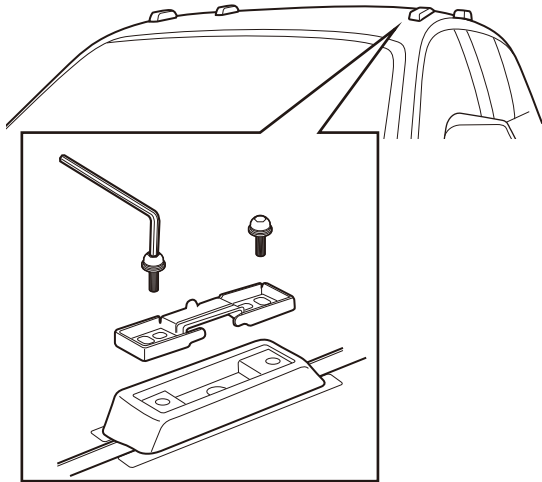
Check the direction of the bar.



Insert the stay into the mounting hole and slide to the far end



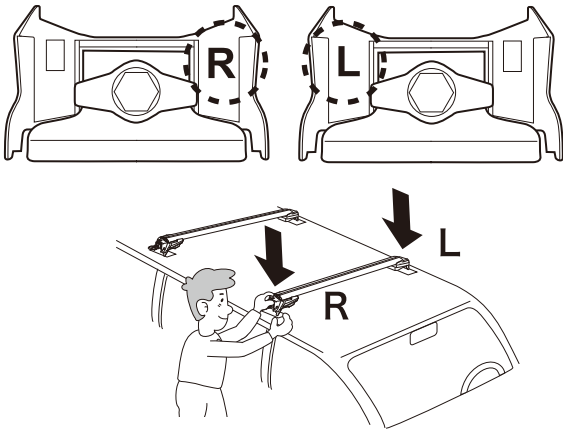
6



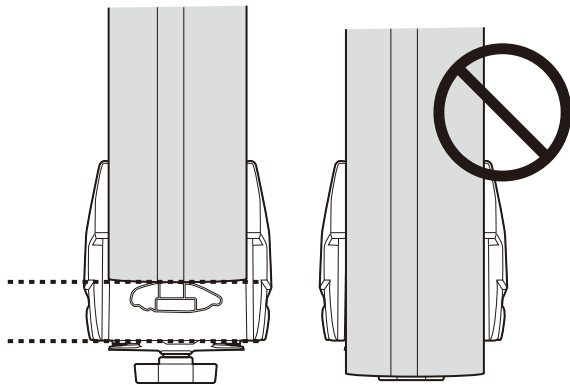
Mount the base unit.
Mount the base unit according to the vehicle specific instructions found in the hook box.

7

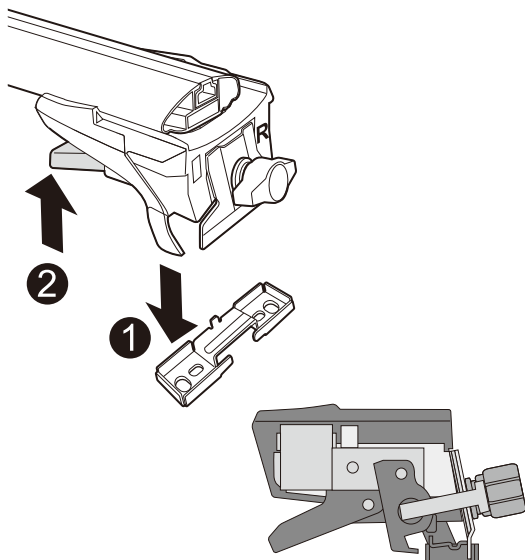
Check for L (Left) and R (Right), then place the stay on the base unit.



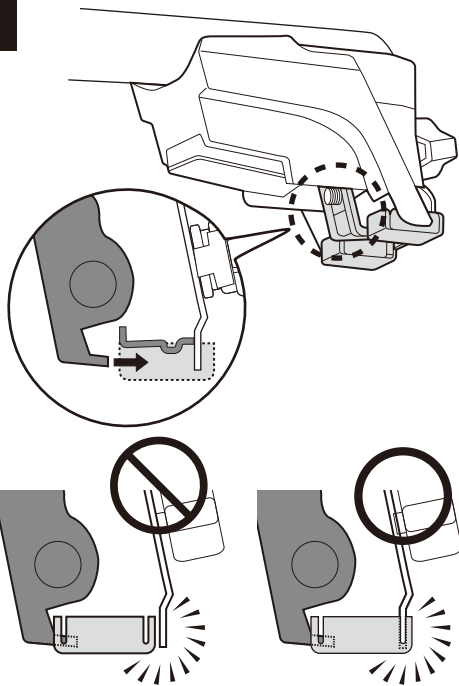
Adjust the bar position on the stays so that the left and right side are even with each other.



Pull down the lever to lock the bar width into place.

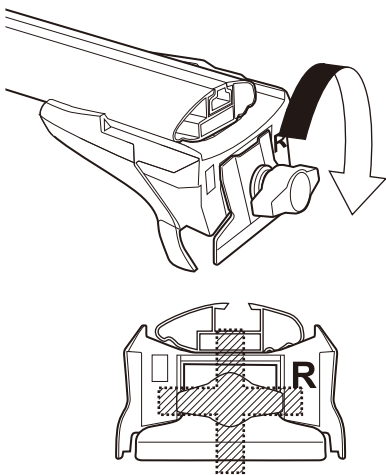


8



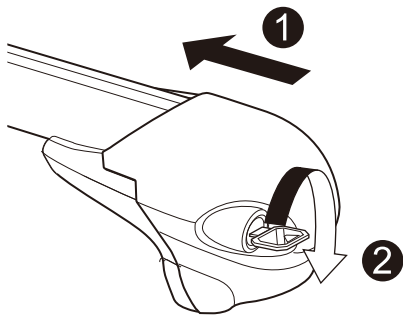
Check that the hook on the back side of the stay body is securely attached to the base units inserting section.

9



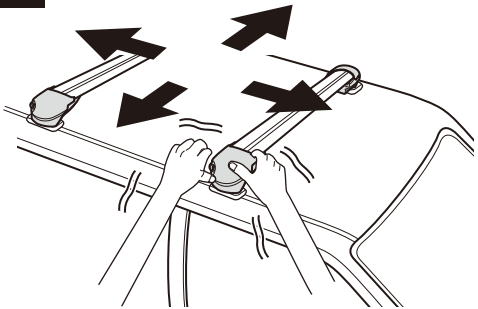
Tighten until the knob tightening end comes to the shaded portion.(Tightening Guideline: $3\text{N}\cdot\text{m}/2.2\text{ft}\cdot\text{lb}$)

10



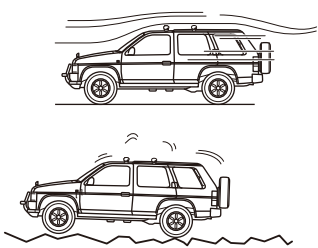
Place and lock cover. (If the cover doesn't fit, refer to 5, 7, and 9.)

11



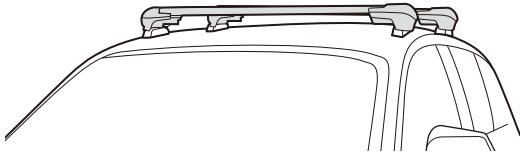
Shake the carrier in all directions to check for looseness. If loose, tighten using the knob.

12

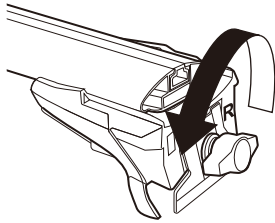


After driving at high speeds or on rough roads, check that the knob has not been loosened. If so, retighten the knob.

How to remove from the vehicle.

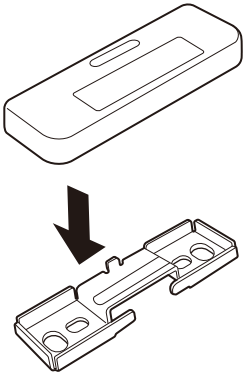


Loosen the knob to detach the base rack system from the vehicle. When re-mounting, the bar width adjustment will not be required. When re-mounting, be sure to mount the front and rear carriers in their designated positions.



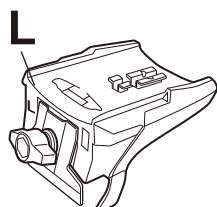
14

After removing the stay and the bar, leaving only the base unit on the vehicle, apply the base cover to the base unit.



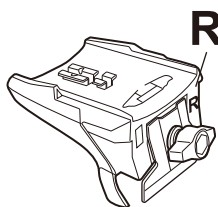
Repair parts

Please specify part name when ordering repair parts.



ISP 853

Stay L



ISP 854

Stay R



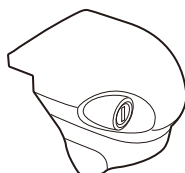
x2

Key



ISP 855

Cover L



ISP 856

Cover R

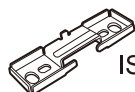


Installation Instructions



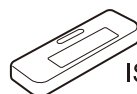
x4
ISP 999

Bolt [M6x15mm]



ISP 857

Base Unit



ISP 858

Base Cover



ISP 17

Hex Wrench [B=4]